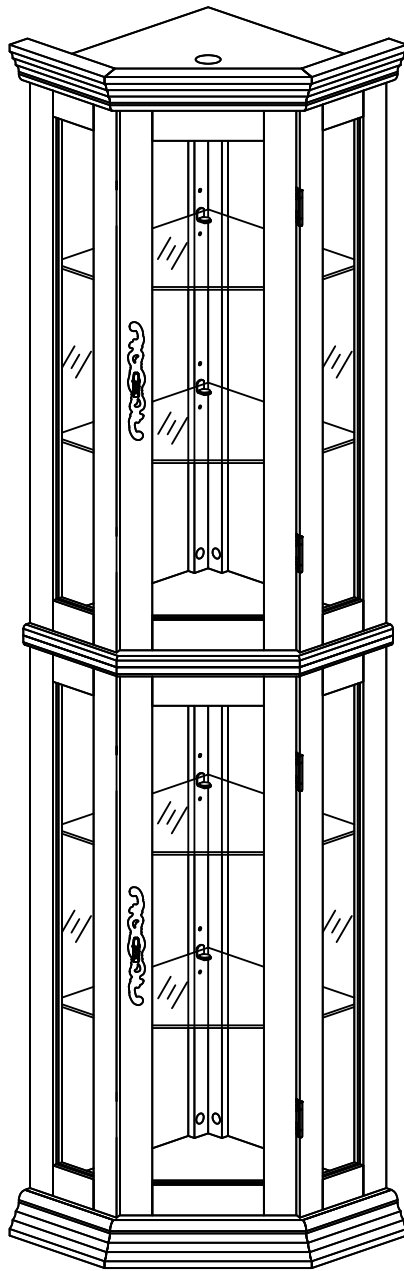
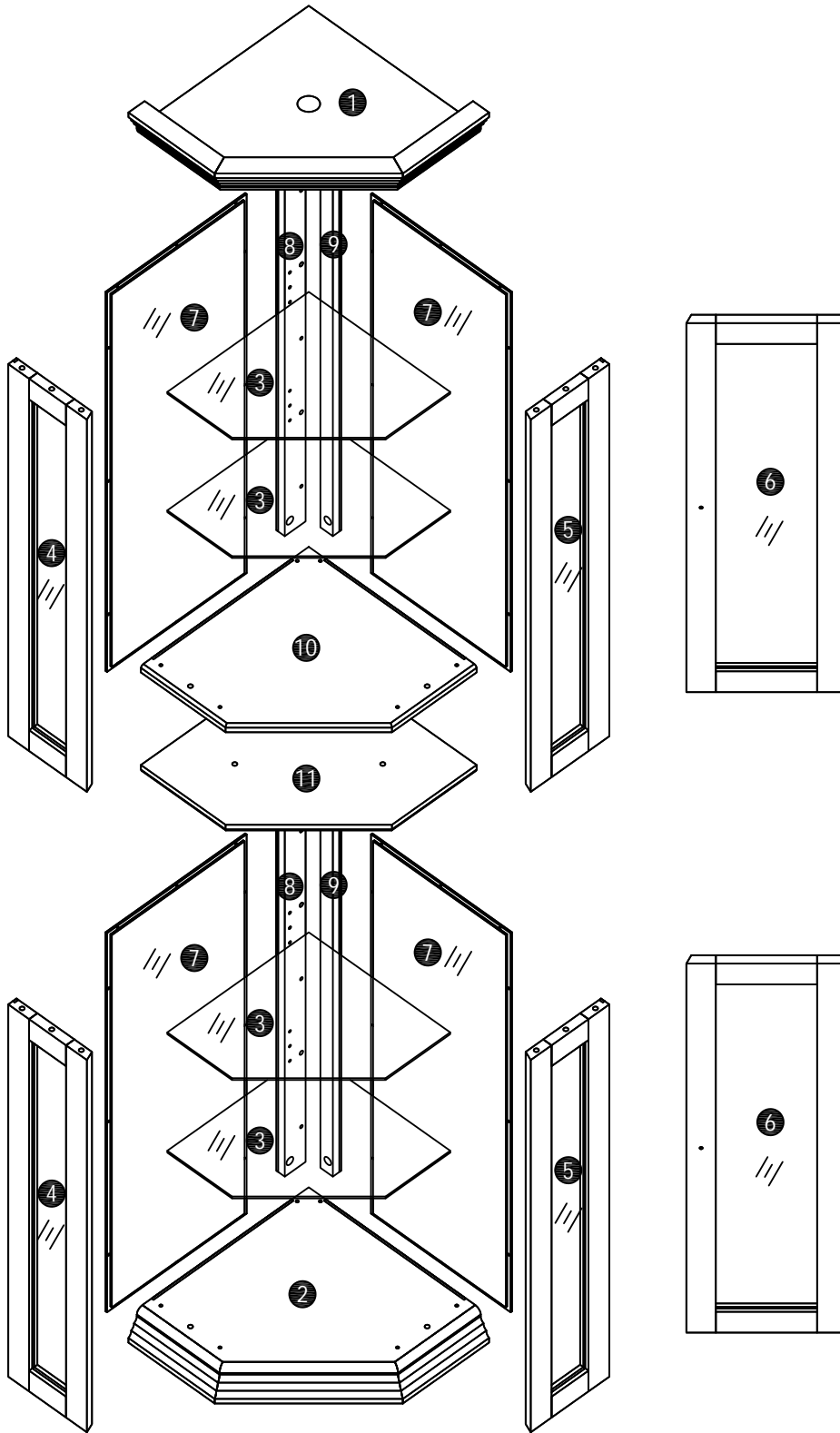


# Corner Glass Cabinet With Frame

## Assembly Instruction

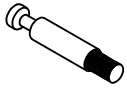


# List of Parts



# Hardware

A x 24+2



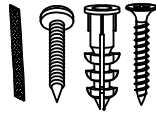
Ø6 x 34mm

B x 24+2



Ø15 x 10mm

C x 2

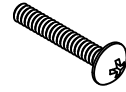


D x 48+2



Ø3.5\*12mm

E x 2

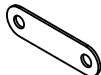


Ø4\*22mm

F x 2



G x 2



H x 24+2



Ø25mm

I x 1



J x 6+1



Ø3.5\*35mm

K x 20



L x 18+1



Ø3.5\*14mm

M x 2



N x 3

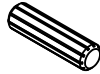


O x 3+1



Ø6\*25mm

P x 12+1



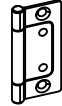
Ø8 x 30mm

Q x 8+1


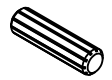


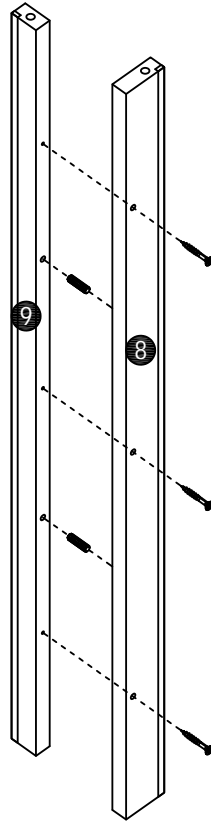
Ø3\*16mm

R x 4



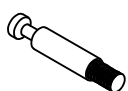

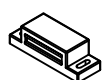
# STEP1

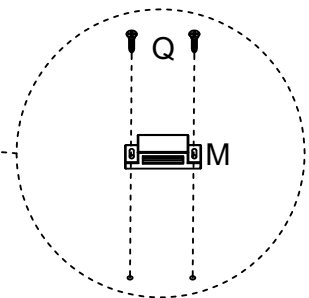
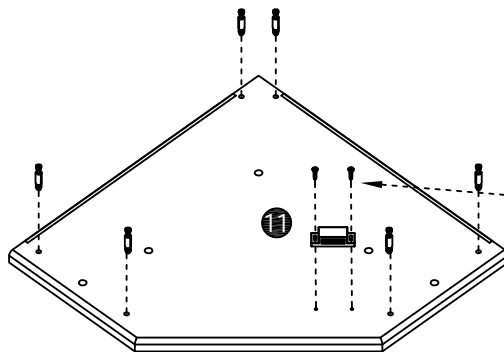
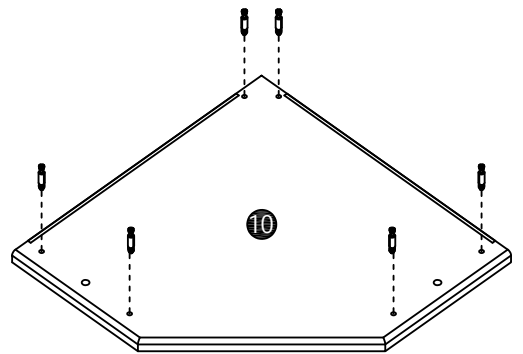
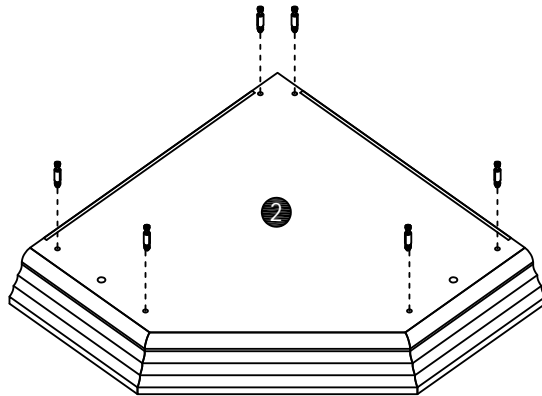
J x 6

Ø3.5*35mm
P x 4

Ø8 x 30mm



x 2

# STEP2

A x 18

Ø6 x 34mm
Q x 2

Ø3*16mm
M x 1




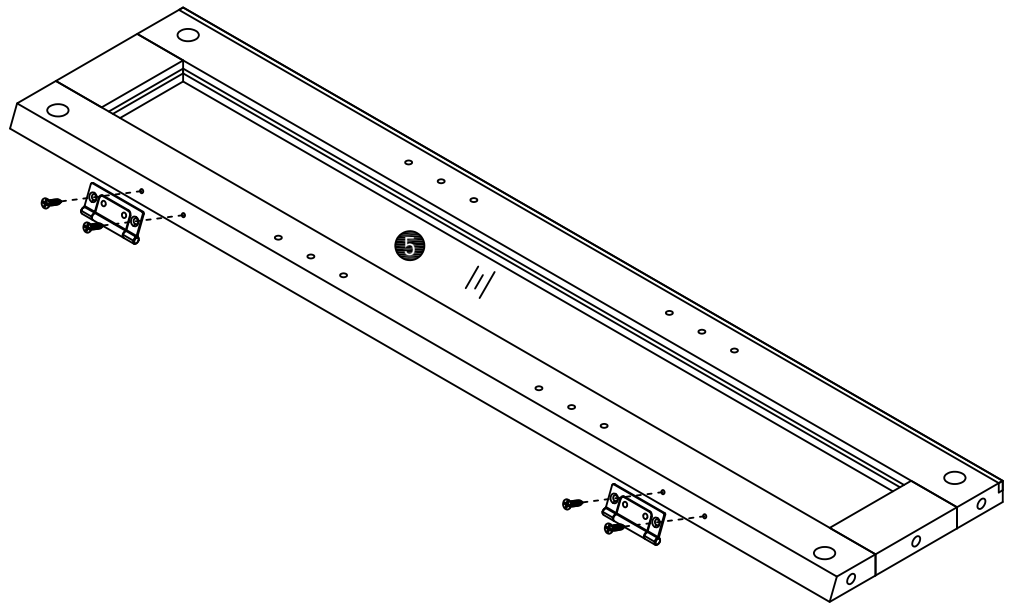
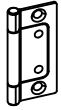
### STEP3

L x 8



Ø3.5\*14mm

R x 4



x 2

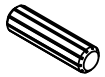
### STEP4

B x 12

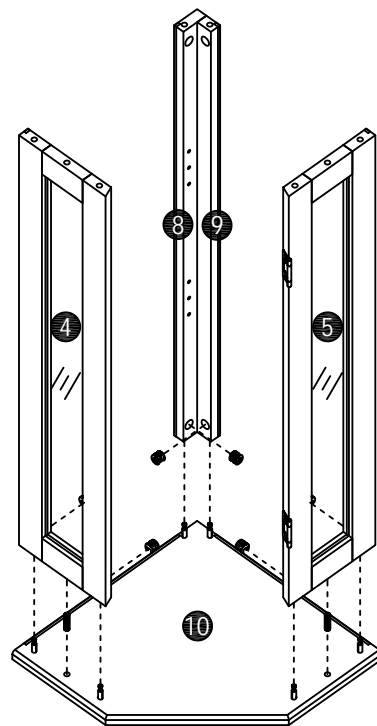
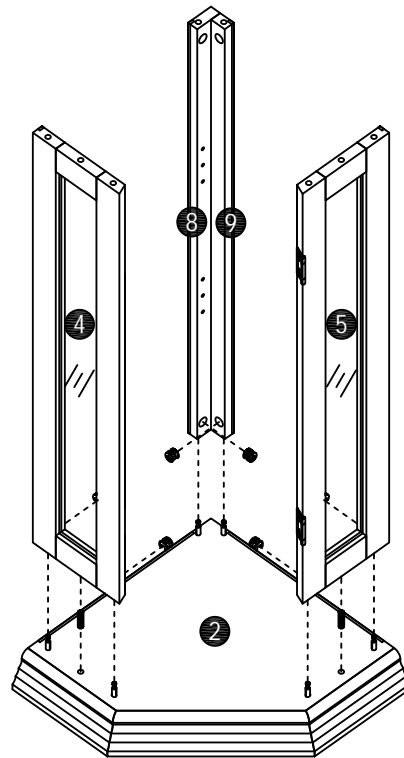


Ø15 x 10mm





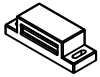
P x 4

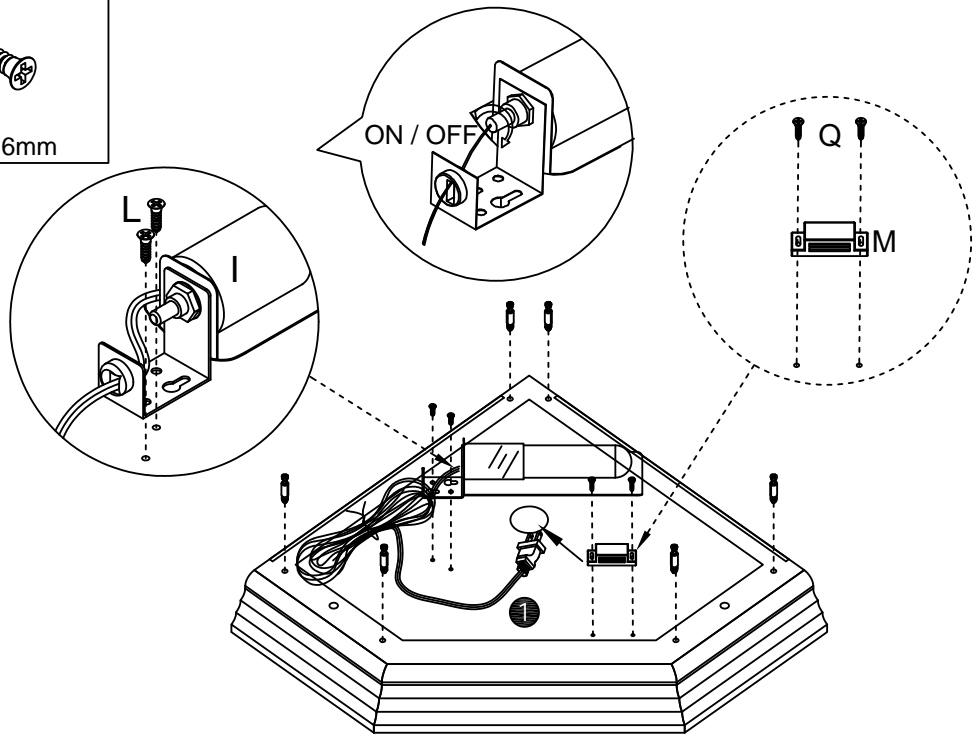


Ø8 x 30mm


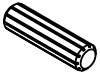


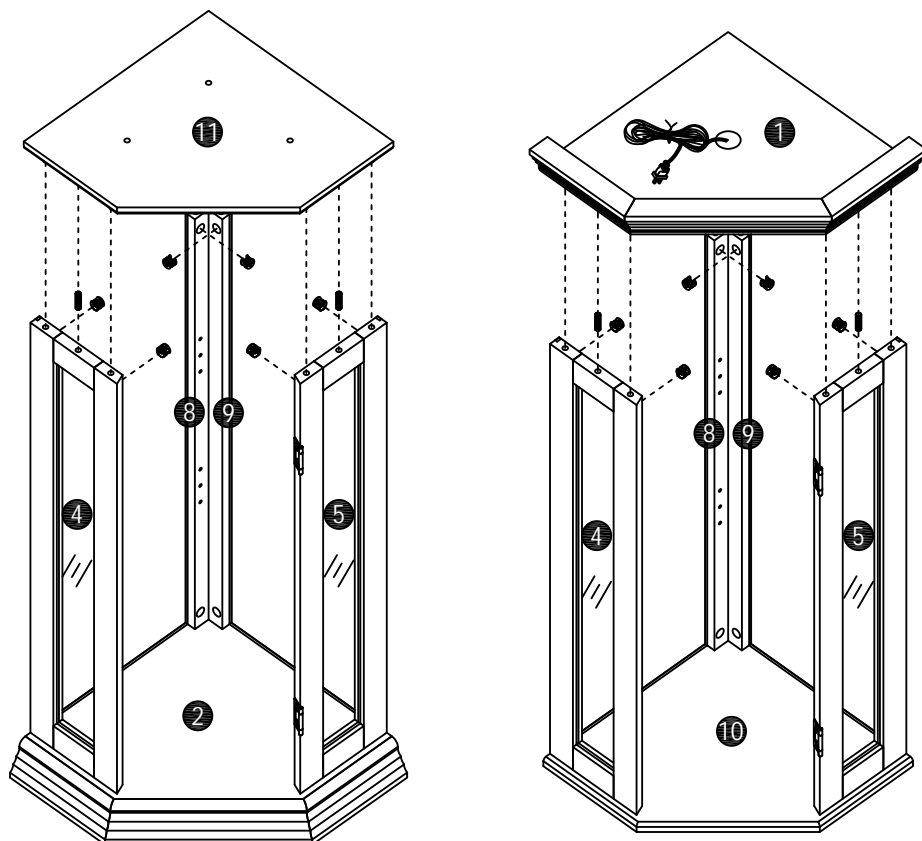
# STEP5

A x 6	Q x 2
	
Ø6 x 34mm	Ø3*16mm
L x 2	
	
Ø3.5*14mm	
l x 1	
	
M x 1	
	



# STEP6

B x 12

Ø15 x 10mm
P x 4

Ø8 x 30mm

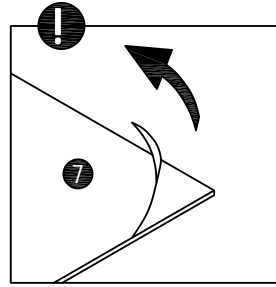


## STEP 7

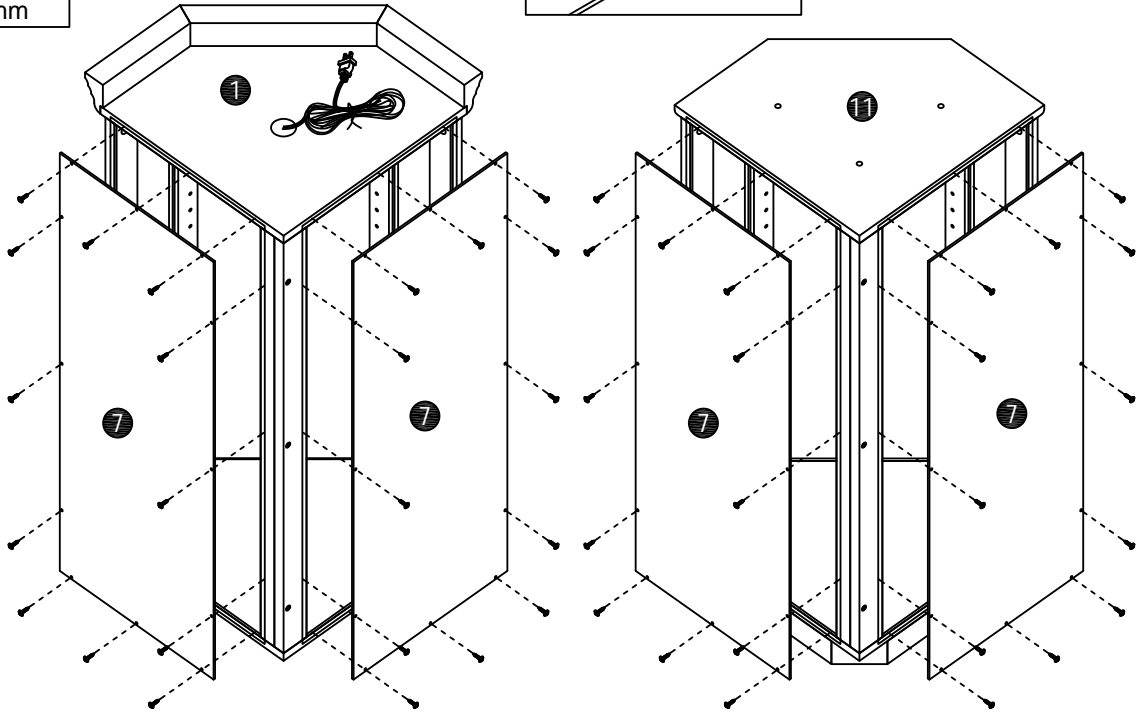
D x 48



Ø3.5\*12mm



Remove protective film on the mirror panel.



## STEP 8

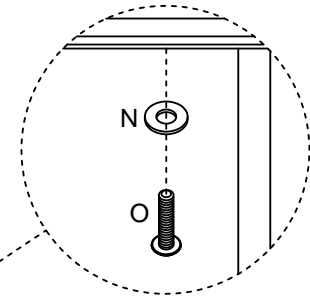
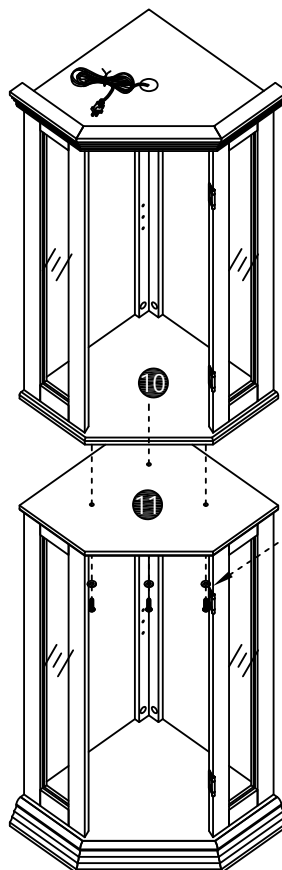
N x 3



O x 3



Ø6\*25mm

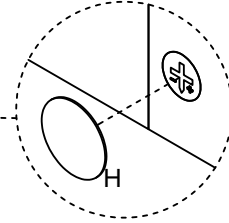
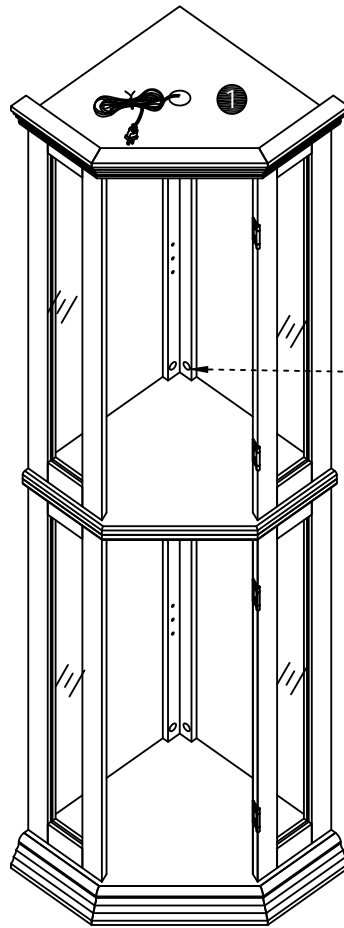


# STEP9

H x 24

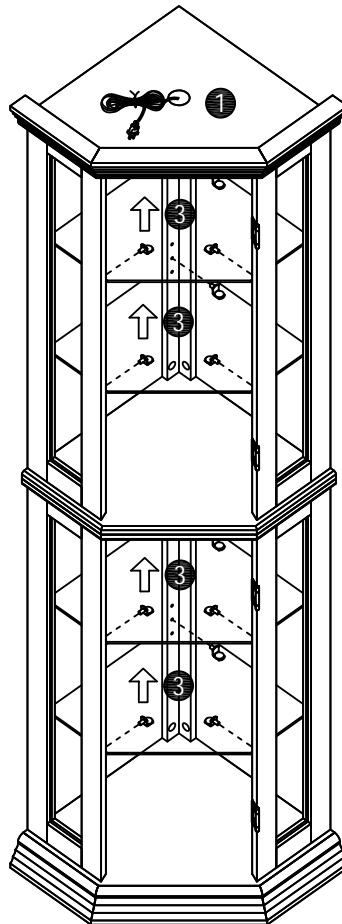


Ø25mm



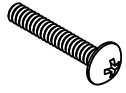
# STEP10

K x 20



# STEP11

E x 2

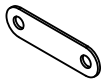


Ø4\*22mm

F x 2



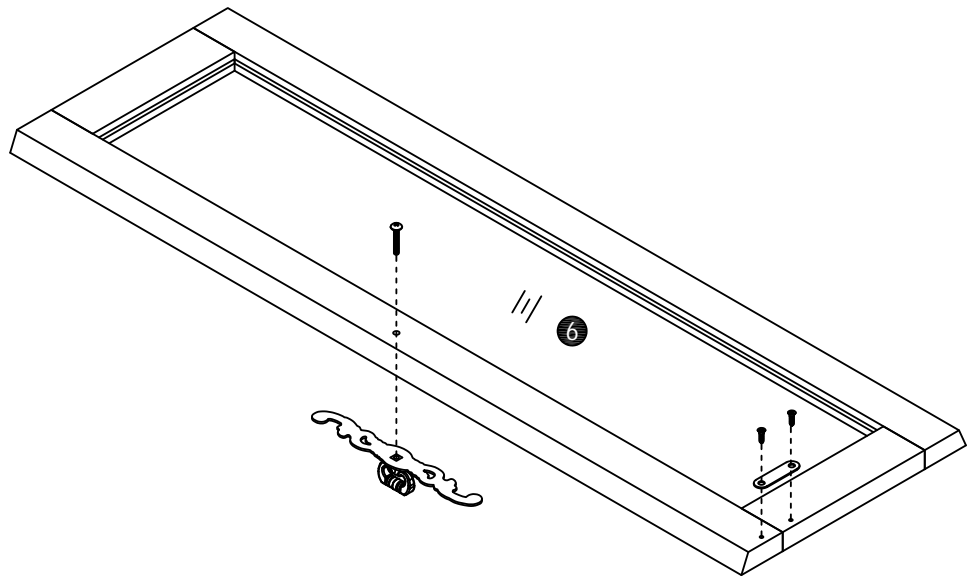
G x 2



Q x 4



Ø3\*16mm



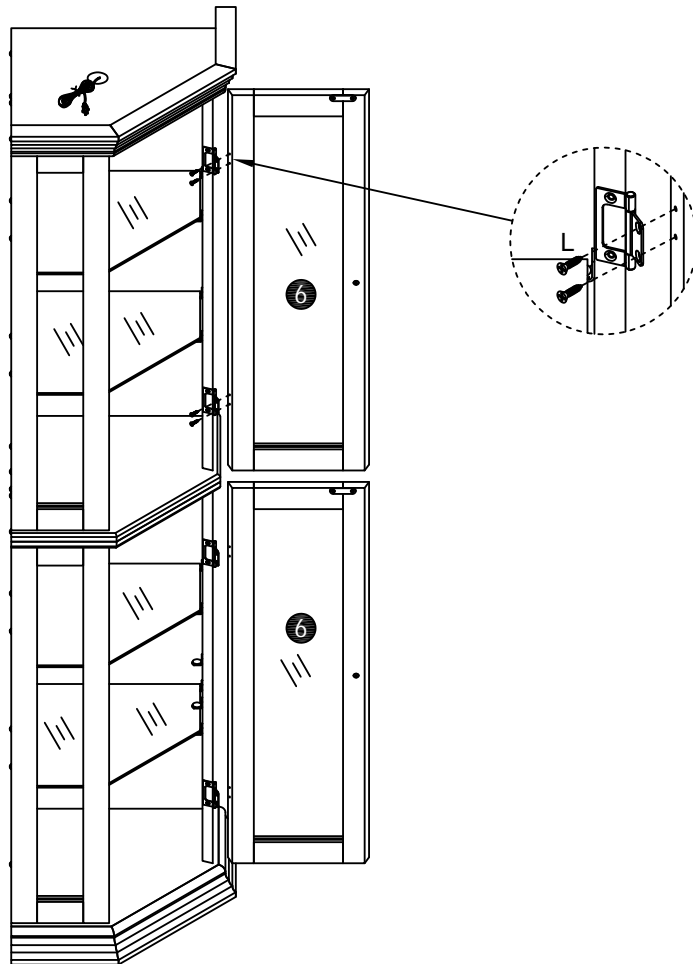
x 2

# STEP12

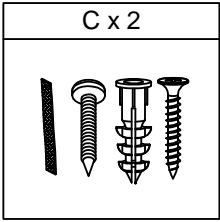
L x 8



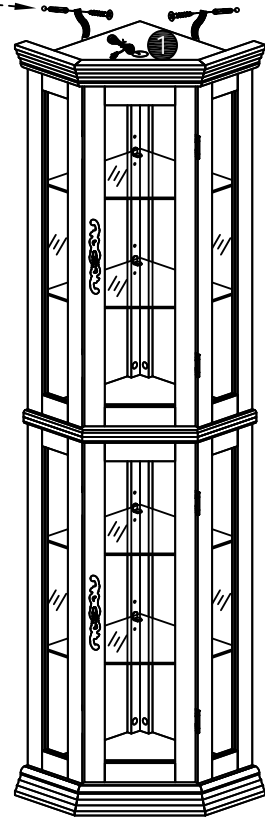
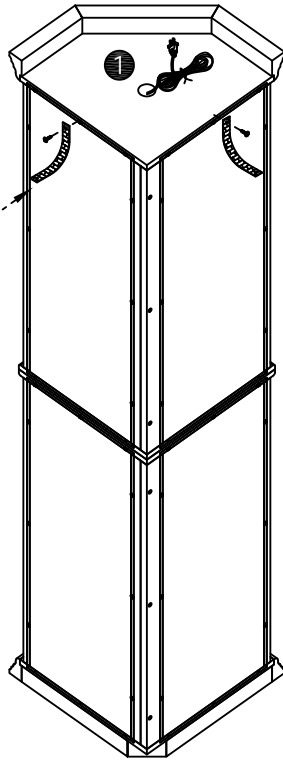
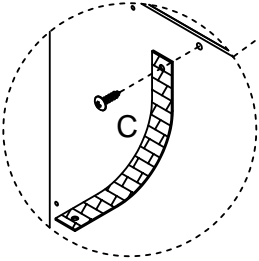
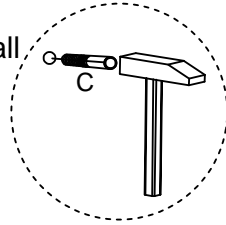
Ø3.5\*14mm



# STEP13



Wall



# STEP14

