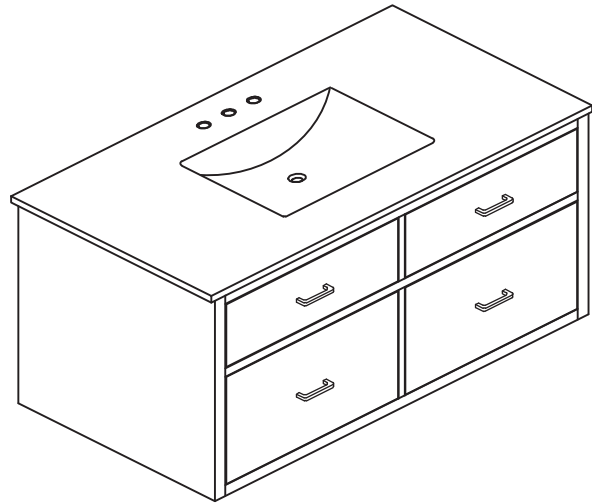


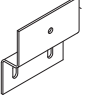
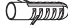




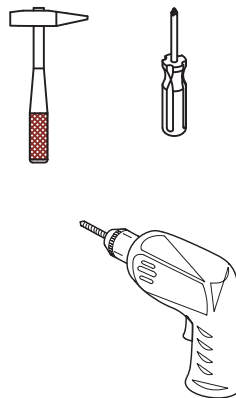
ASSEMBLY INSTRUCTIONS for floating application



Hardware

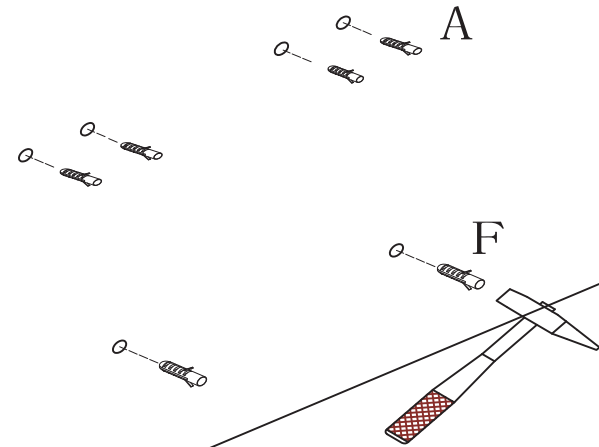
NO.	Parts	QTY	NO.	Parts	QTY
A	 (M6*1.18")	4	E	 (M6*2.36")	2
B	 (2.95" *3.23")	2	F	 (M8*1.57")	2
C	 (T4*1.38")	4			
D	 (T4*0.55")	2			

Tools



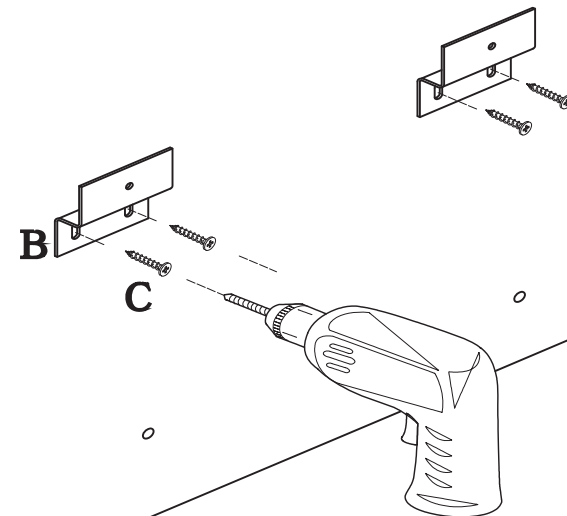
Step 1

Wall

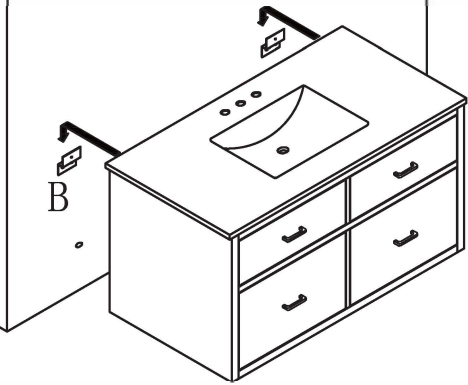


Step 2

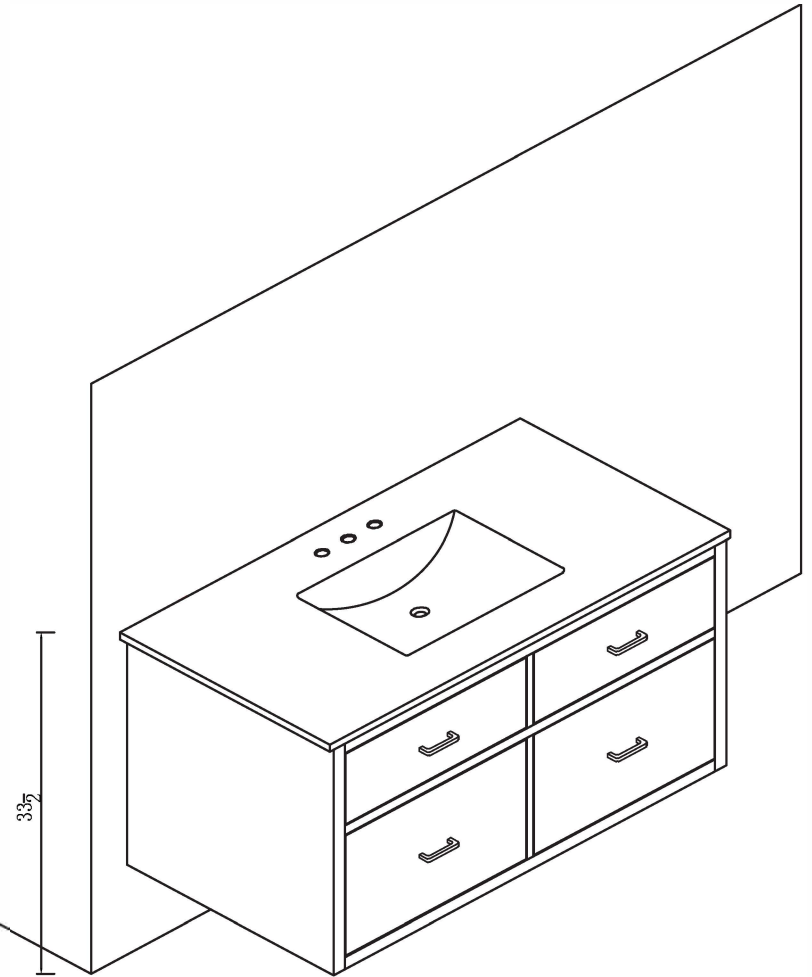
Wall



Step 3



Finished



Step 4

