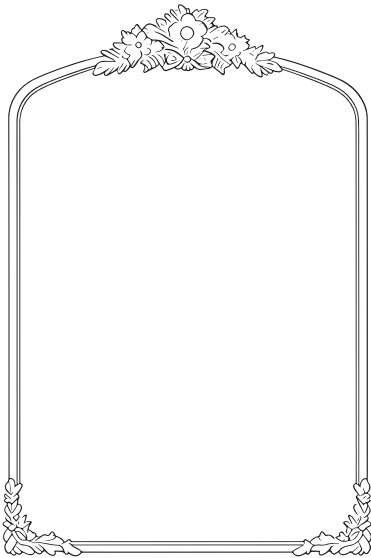


WALL MIRROR

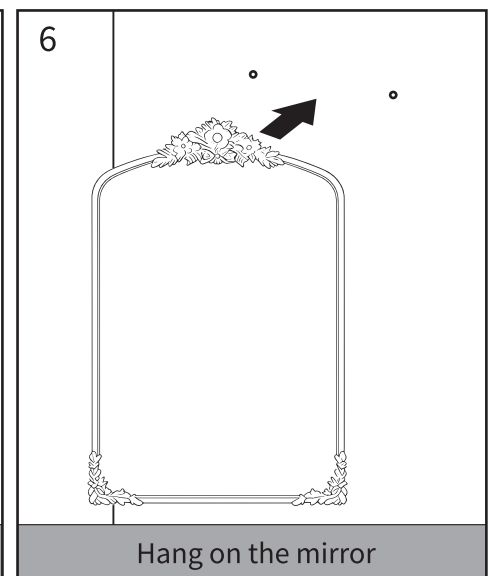
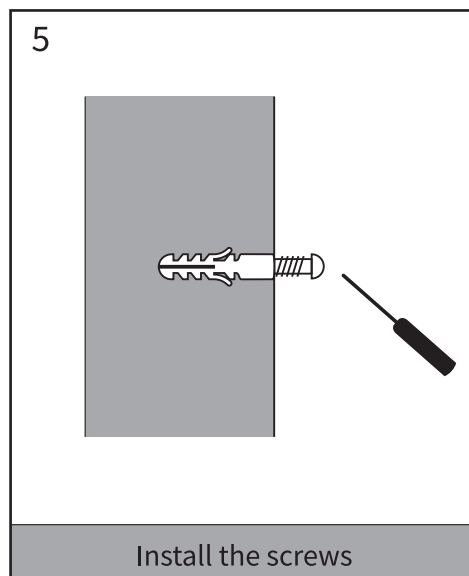
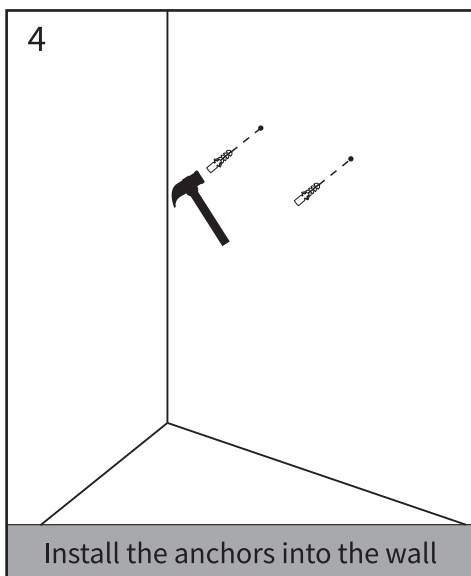
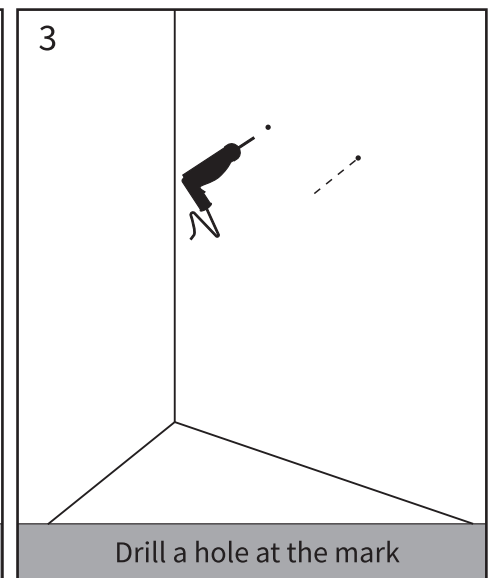
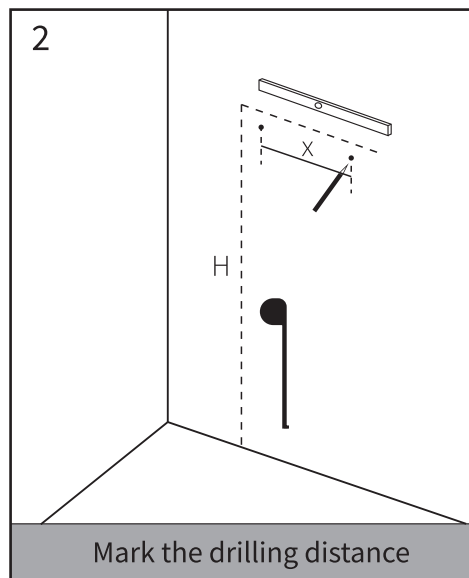
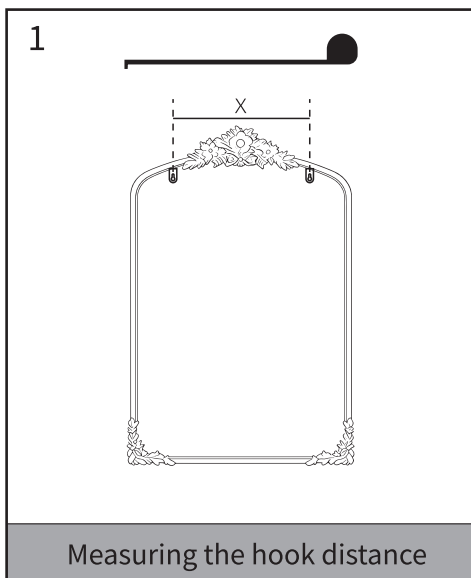
Assembly Instructions - Please keep for future reference

Item No.: 30010



IMPORTANT SAFETY NOTICE - READ CAREFULLY BEFORE ASSEMBLY

- Always use proper tools.
- The mounting hardware are NOT included.
- Please make sure the kind of wall and purchase the RIGHT hardware.
- Please check with your hardware vendor for the weight capacity of the screws.
- Periodically check to ensure that all hardware are right.



Important - Please read this instructions before assembly