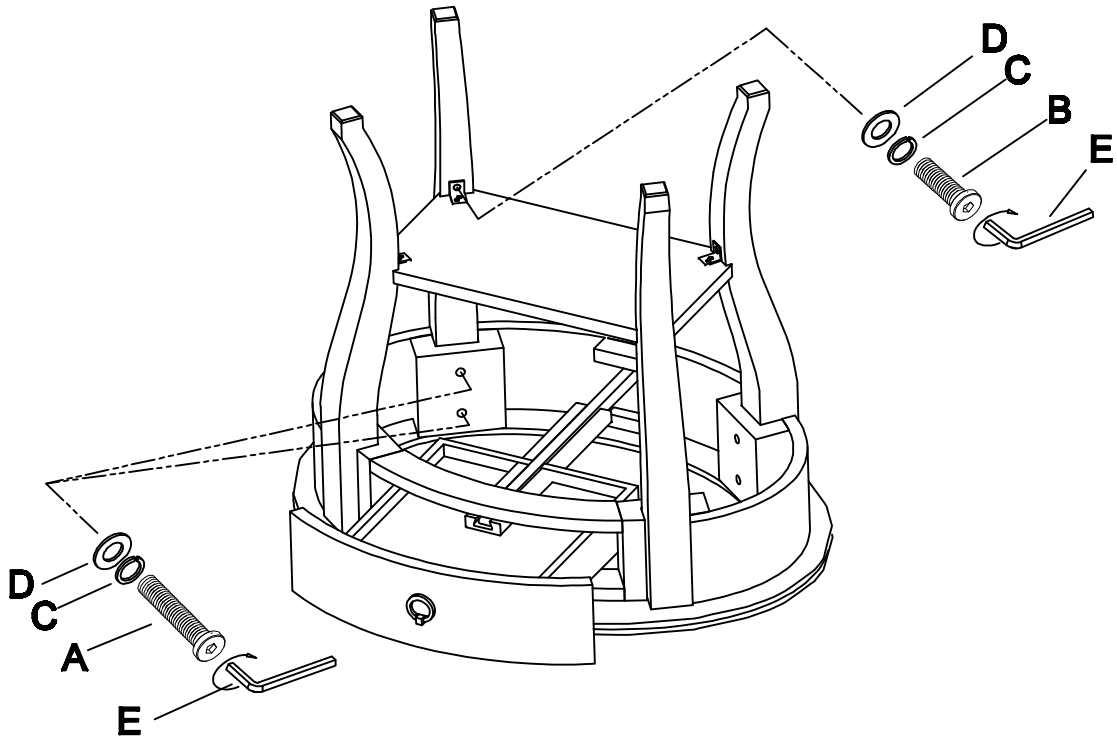


ASSEMBLY INSTRUCTION






8115-47

STEP1



FINAL



NO	DRAWING	SIZE	QTY	NO	DRAWING	SIZE	QTY
A		Φ1/4"×1-3/4"	8pcs	D		Φ1/4"	12pcs
B		Φ1/4"×3/4"	4pcs	E		4mm	1pc
C		Φ1/4"	12pcs				