



**ASSEMBLY GUIDE
GUIDE DE MONTAGE
GUÍA DE MONTAJE**

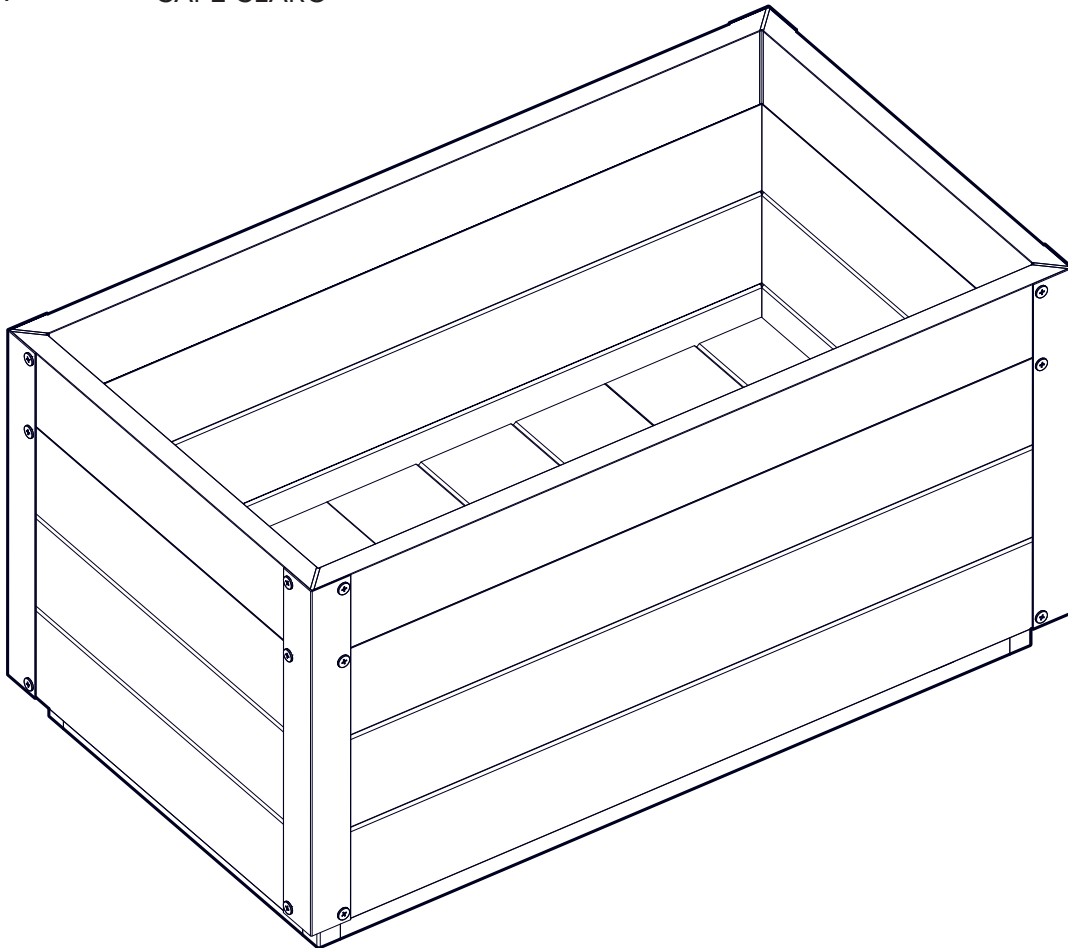
URBANA

SMALL DELTA PLANTER PETITE JARDINIÈRE DELTA JARDINERA DELTA PEQUEÑA

VT17639 / VT17539

SLATE
ARDOISE
PIZARRA

LIGHT BROWN
BRUN CLAIR
CAFE CLARO



REQUIRED TOOLS AND MATERIALS (NOT INCLUDED)
 OUTILS ET MATÉRIAUX REQUIS (NON INCLUS)
 HERRAMIENTAS Y MATERIALES REQUERIDOS (NO INCLUIDOS)



[WEAREVITA.COM](https://www.wearevita.com)

Click - Cliquer - Hacer Clic
 "Chat"



[WEAREVITA.COM/SUPPORT](https://www.wearevita.com/support)



HELLO@WEAREVITA.COM



1-800-282-9346

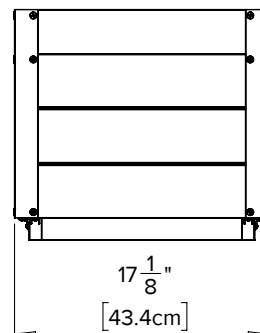
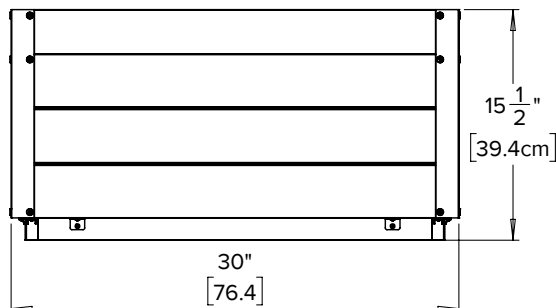
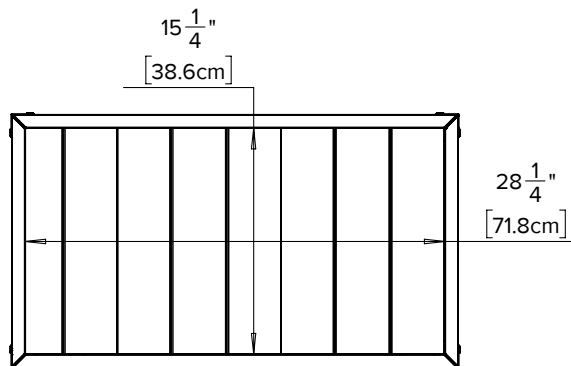


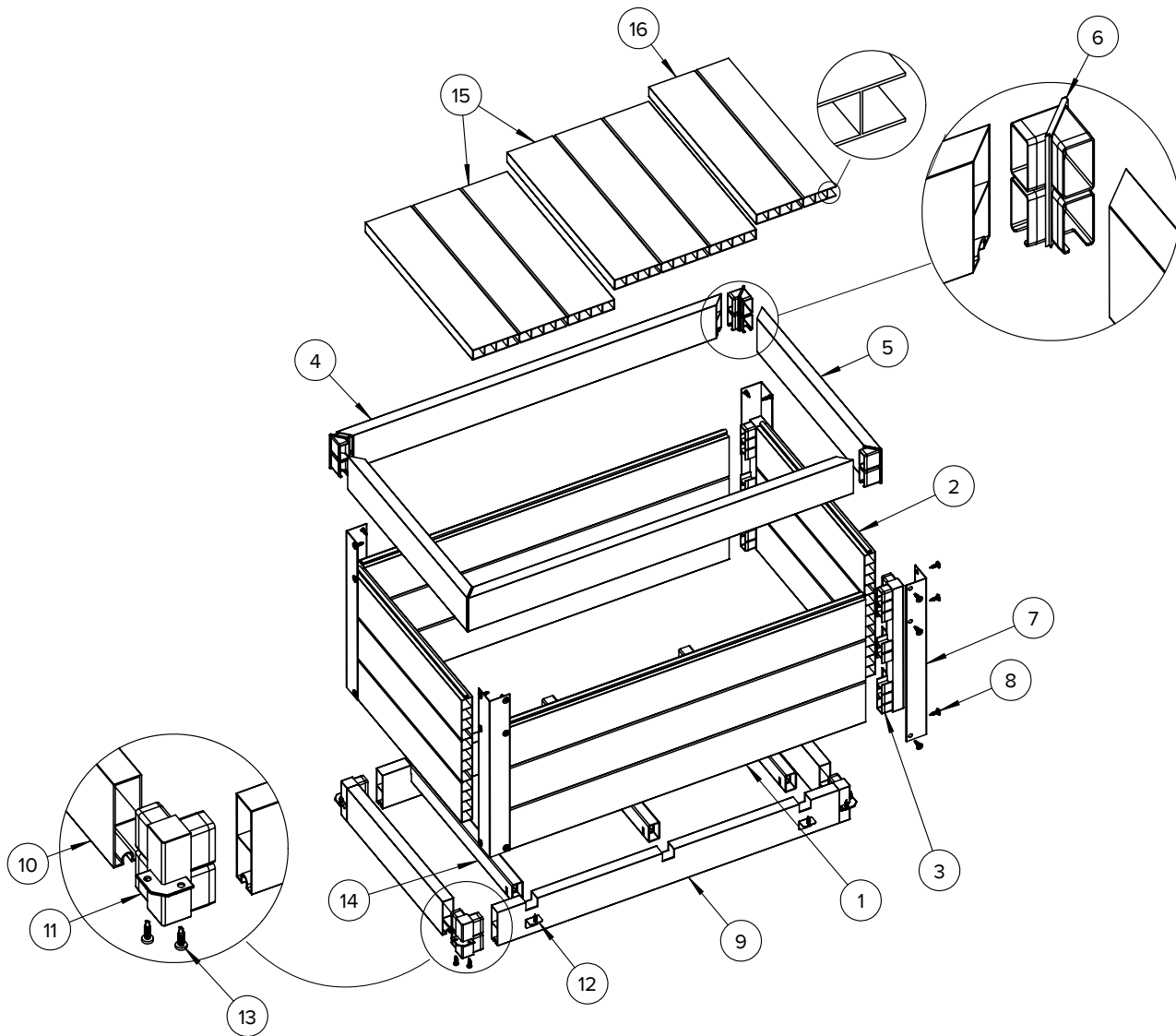
@VITAHOMEANDGARDEN

PRODUCT DIMENSIONS

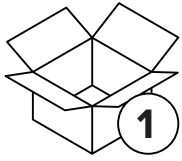
DIMENSIONS DU PRODUIT

DIMENSIONES DEL PRODUCTO

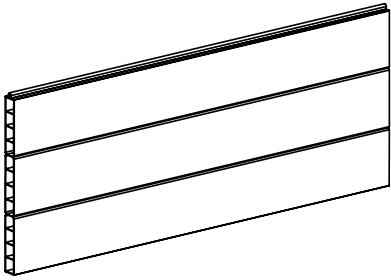
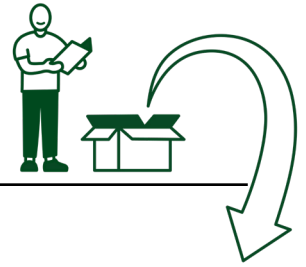




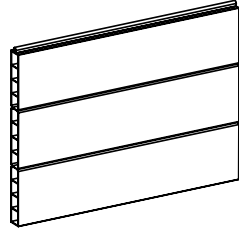
Item No.	Part Number (Slate)	Part Number (Light Brown)	Description	Dimension	Qty.
1	16345	15345	Lower Wall Board- Long	28 1/4" (71.8cm)	2
2	16341	15341	Lower Wall Board- Short	15 1/4" x 11" (38.7cm x 27.9cm)	2
3	19000	19000	Corner Wallboard Connector	11" (27.9cm)	4
4	19010	19010	Upper Trim Board- Long	29 7/8" (75.6cm)	2
5	19004	19004	Upper Trim Board- Short	16 7/8" (42.7cm)	2
6	19001	19001	Corner Trim Connector	3" (7.6cm)	4
7	19003	19003	Outer Corner Trim	14" (35.5 cm)	4
8	20072	20072	Flat Head Screw- Black	#8 x 5/8" (1.6cm)	24
9	19011	19011	Long Pedestal Board	26 1/2" (67.2cm)	2
10	19006	19006	Short Pedestal Board	13 1/2" (34.2cm)	2
11	19002	19002	Corner Pedestal Connector	3" (7.6cm)	4
12	19009	19009	Metal Shoulder Support	1" (2.5cm)	4
13	20066	20066	Round Head Screw	#8 x 5/8" (1.6cm)	16
14	19008	19008	Pedestal Cross Brace	15" (38.1cm)	3
15	16343	15343	Floorboard	15 1/4" x 11" (38.5cm x 27.9cm)	2
16	16346	15346	Notched Floorboard	15 1/4" X 6 1/8" (38.5cm X 15.7cm)	1



PARTS LIST
LISTE DES PIÈCES
LISTADO DE PIEZAS



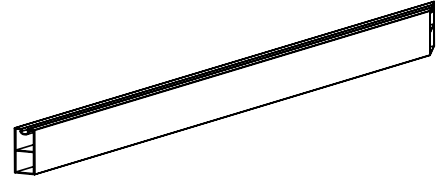
1 x2



2 x2



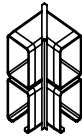
3 x4



4 x2



5 x2



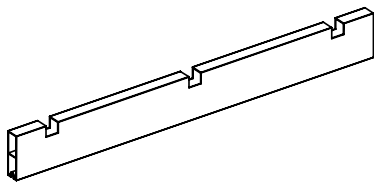
6 x4



7 x4



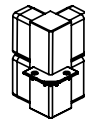
8 x24



9 x2



10 x2



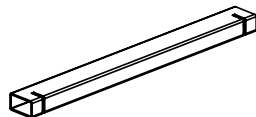
11 x4



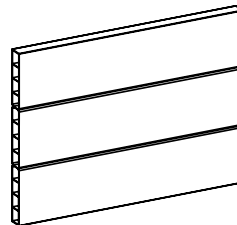
12 x4



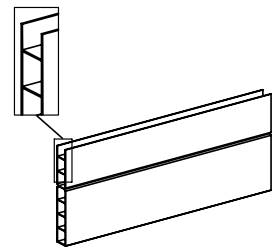
13 x16



14 x3

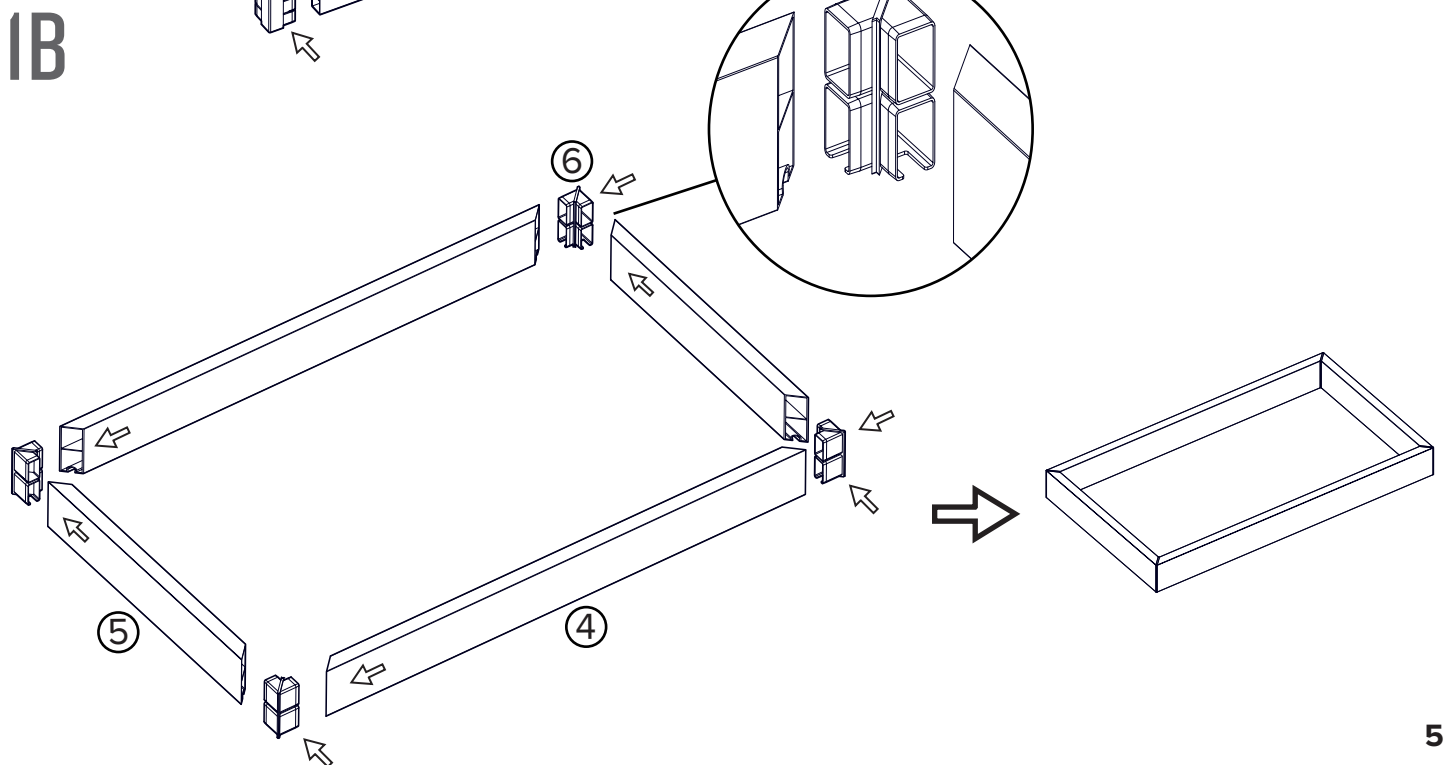
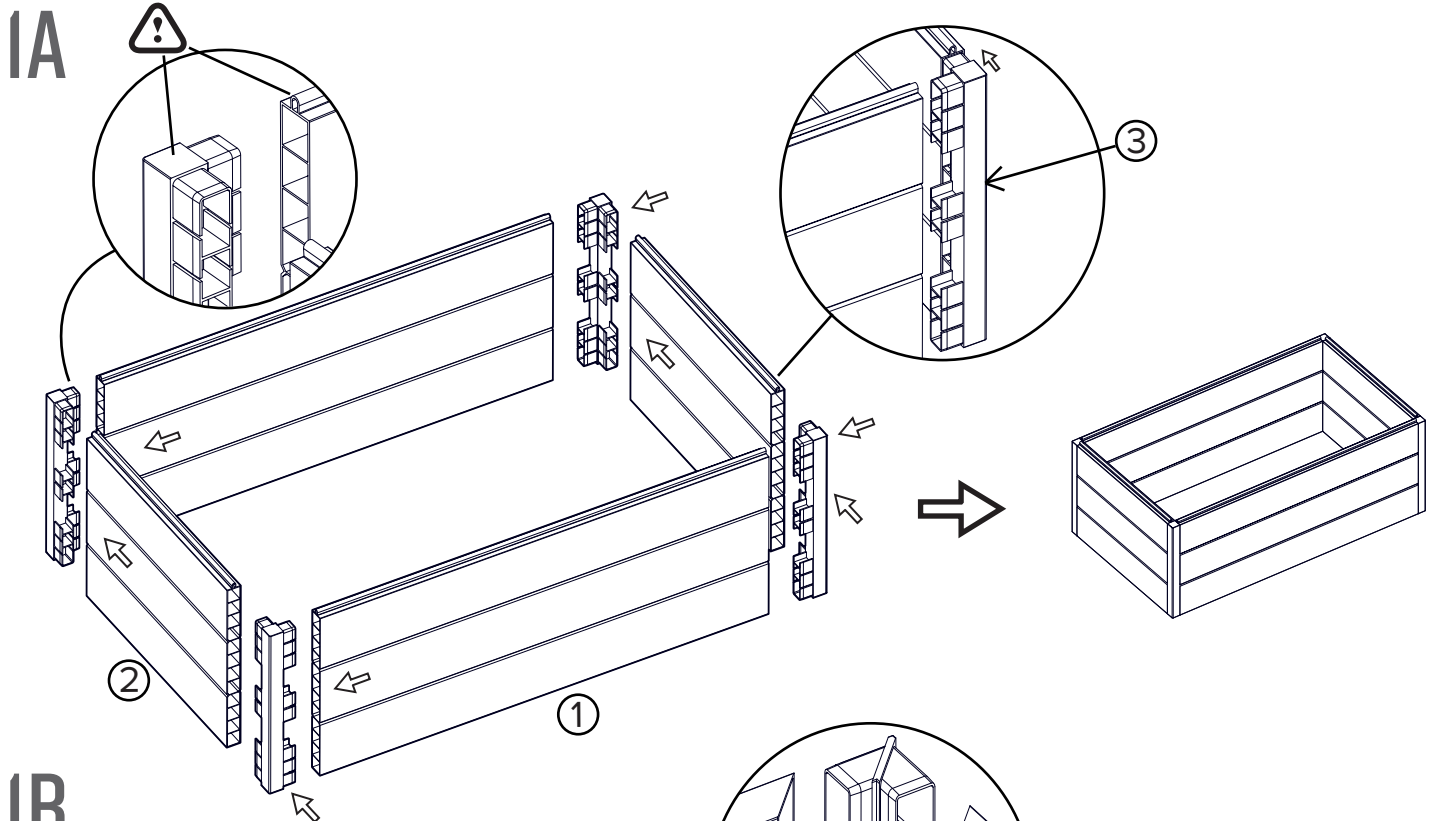
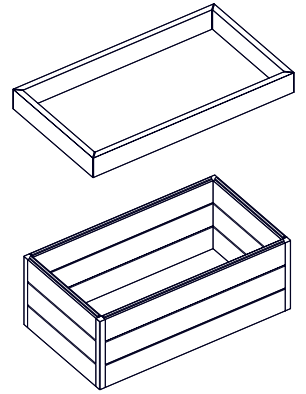
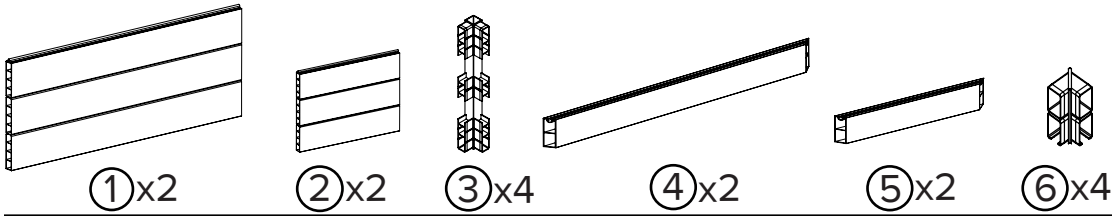


15 x2

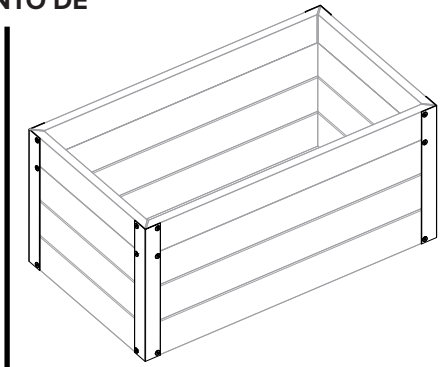
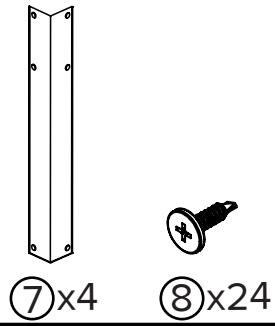


16 x1

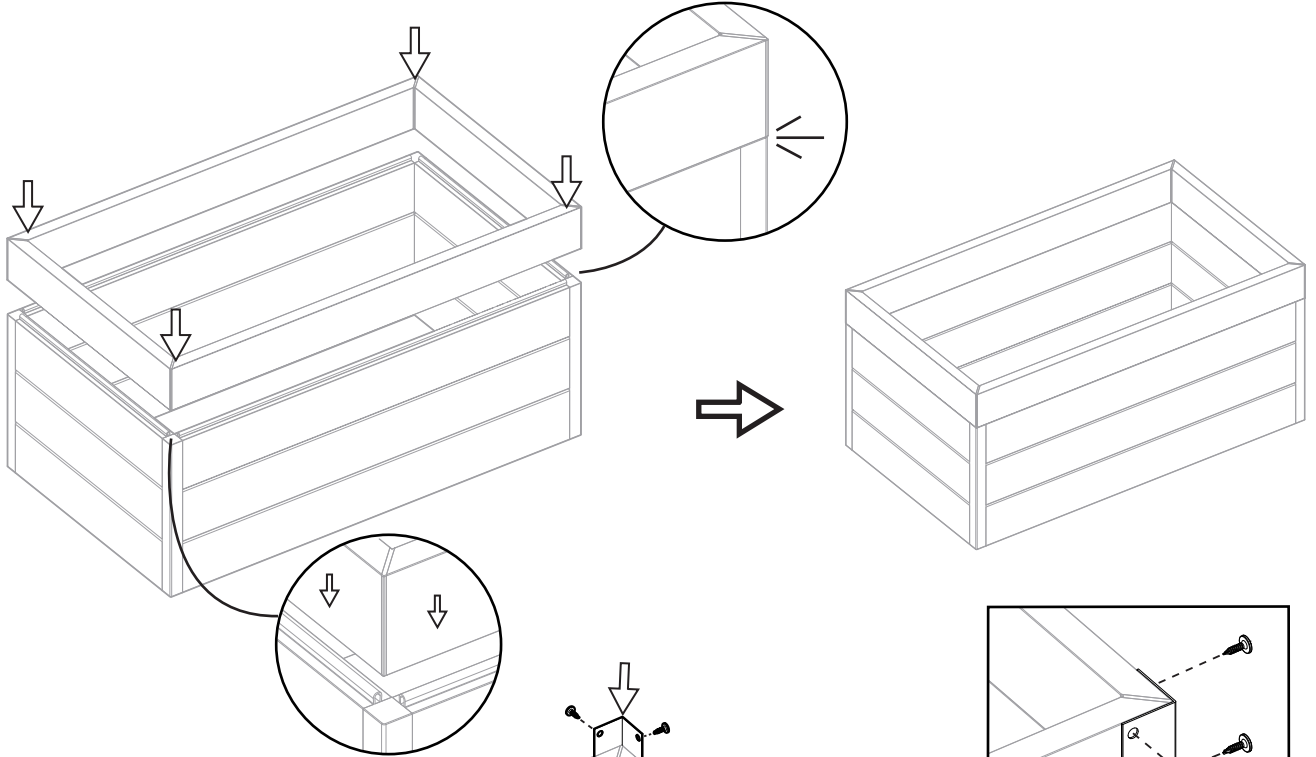
PREPARE TRIM AND LOWER WALL BOARD ASSEMBLY
PRÉPAREZ LE MONTAGE DE LA GARNITURE ET DES PAROIS INFÉRIURES
PREPARE EL CONJUNTO DE MOLDURAS Y PLACA DE PARED INFERIOR



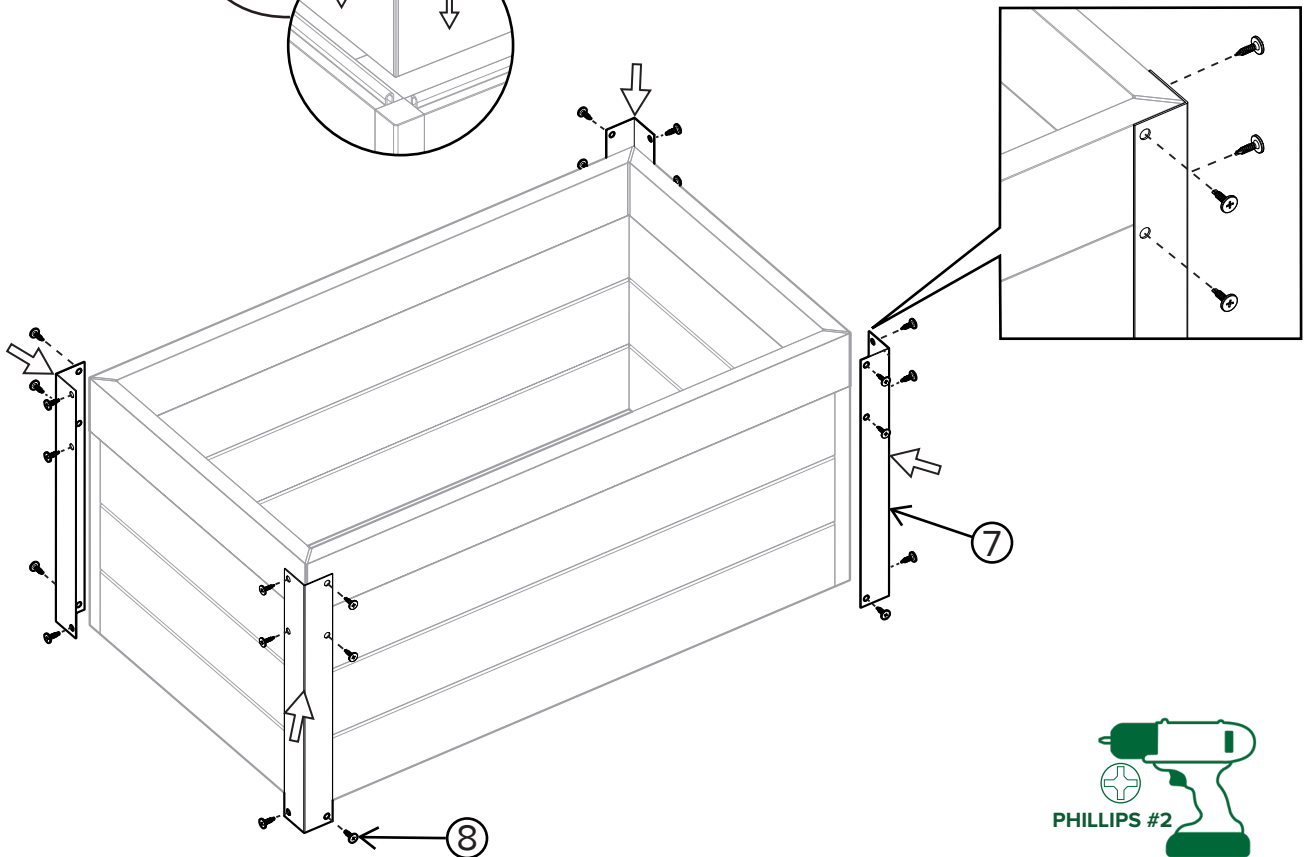
2 SECURE PREPARED WALL BOARD ASSEMBLY TO TRIM ASSEMBLY FIXEZ LES PAROIS PRÉPARÉES À LA GARNITURE FIJE EL CONJUNTO DE LA PLACA DE PARED PREPARADO AL CONJUNTO DE



2A

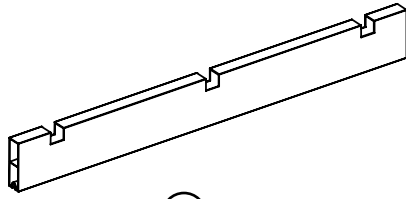


2B

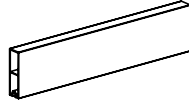


3

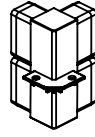
ASSEMBLE PEDESTAL
ASSEMBLEZ LE SOCLE
MONTE EL PEDESTAL



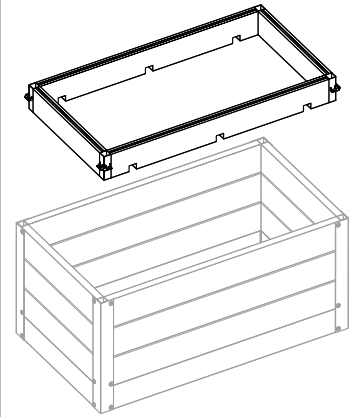
⑨x2



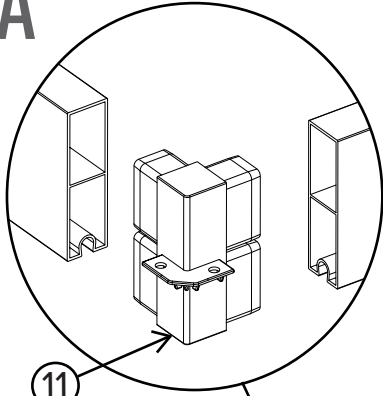
⑩x2



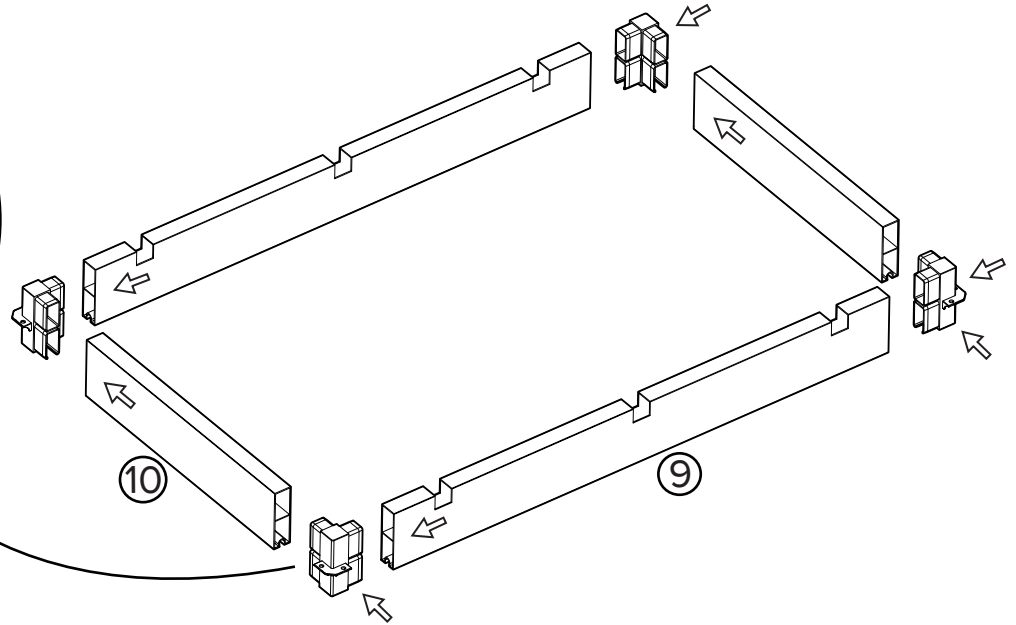
⑪x4



3A

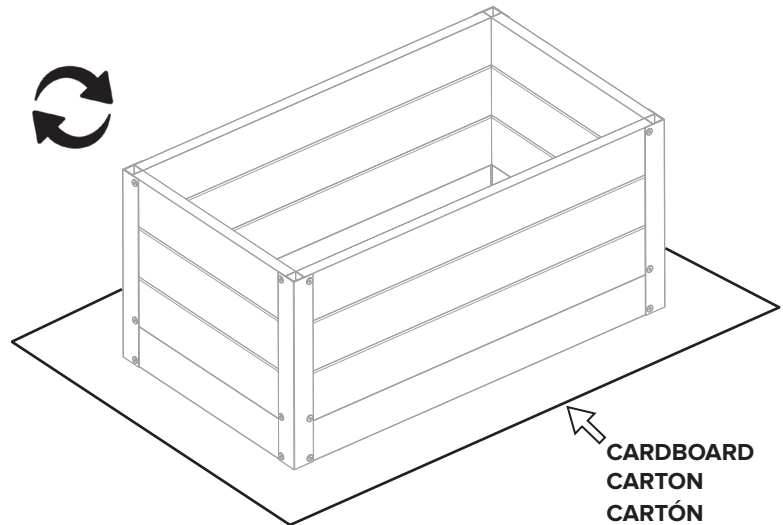
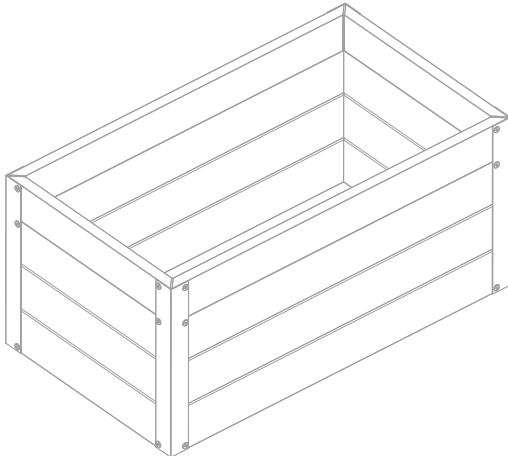


⑪



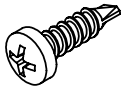
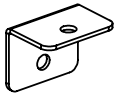
3B

FLIP ASSEMBLED PLANTER OVER ONTO CARDBOARD OR CLOTH TO AVOID SCRATCHING
RETOURNEZ LA JARDINIÈRE ASSEMBLÉE SUR UN CARTON OU UN TISSU POUR ÉVITER LES RAYURES
VOLTEE LA JARDINERA YA MONTADA SOBRE UN CARTÓN O PAÑO PARA QUE NO SE RAYE



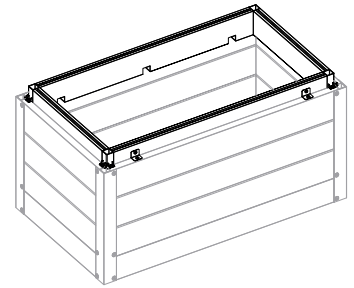
CARDBOARD
CARTON
CARTÓN

4 SECURE PEDESTAL ASSEMBLY TO PLANTER FIXEZ LE SOCLE À LA JARDINIÈRE FIJE EL CONJUNTO DEL PEDESTAL A LA JARDINERA

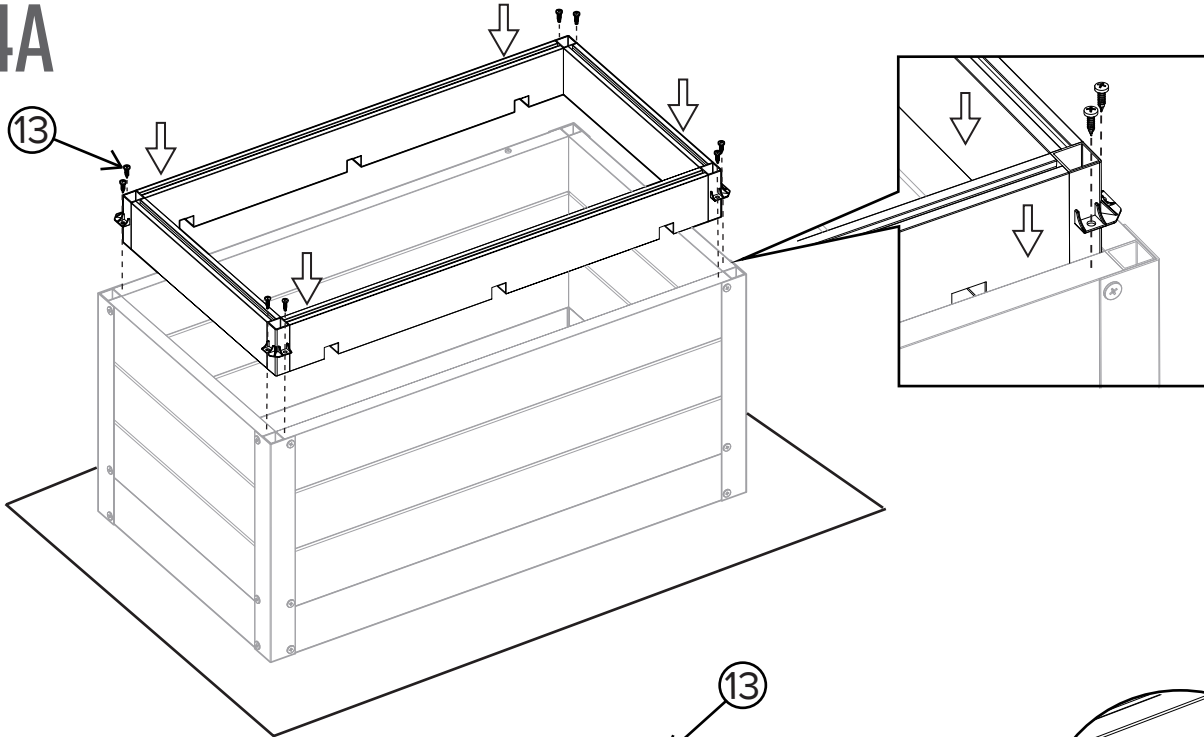


⑫x4

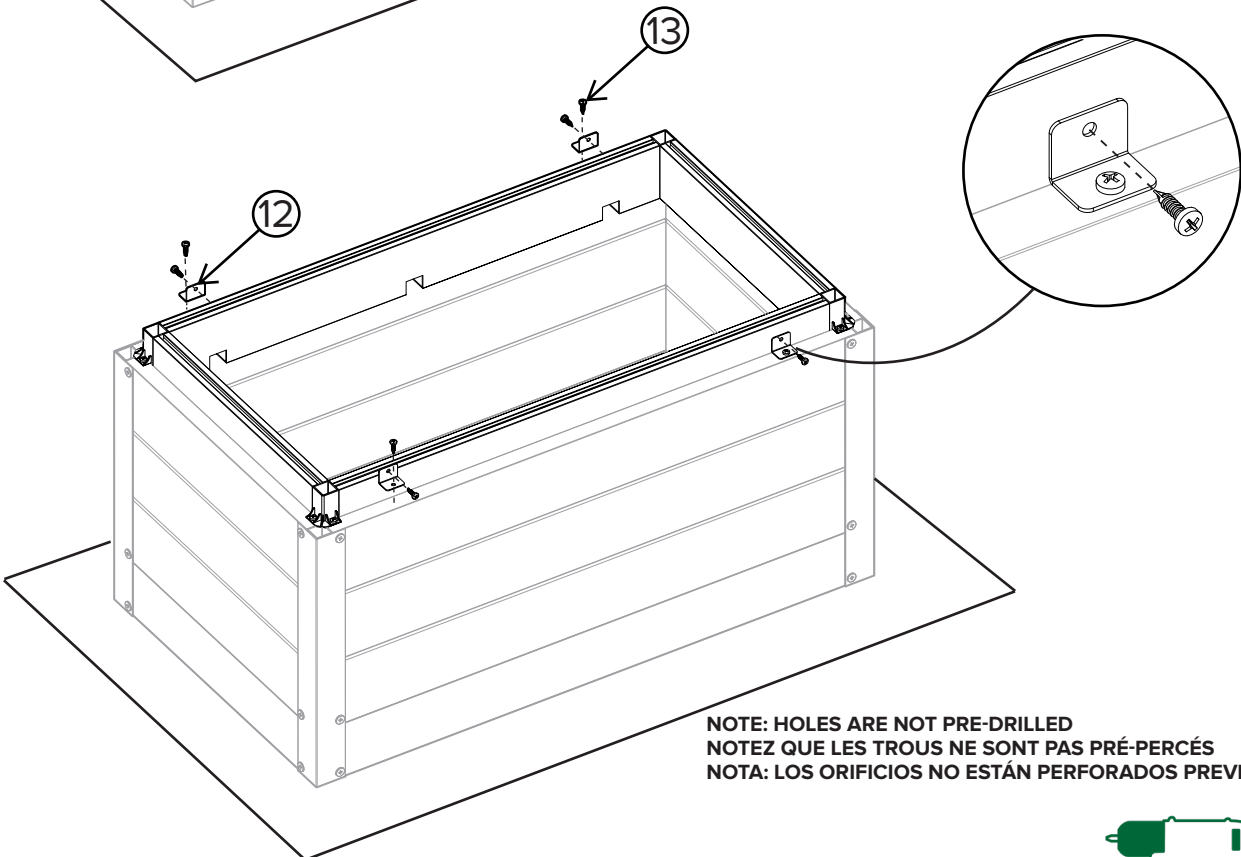
⑬x16



4A



4B

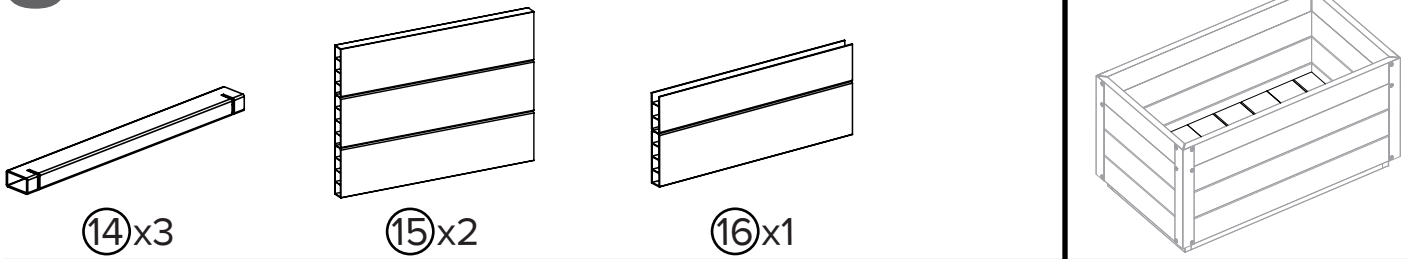


NOTE: HOLES ARE NOT PRE-DRILLED
NOTEZ QUE LES TROUS NE SONT PAS PRÉ-PERCÉS
NOTA: LOS ORIFICIOS NO ESTÁN PERFORADOS PREVIAMENTE

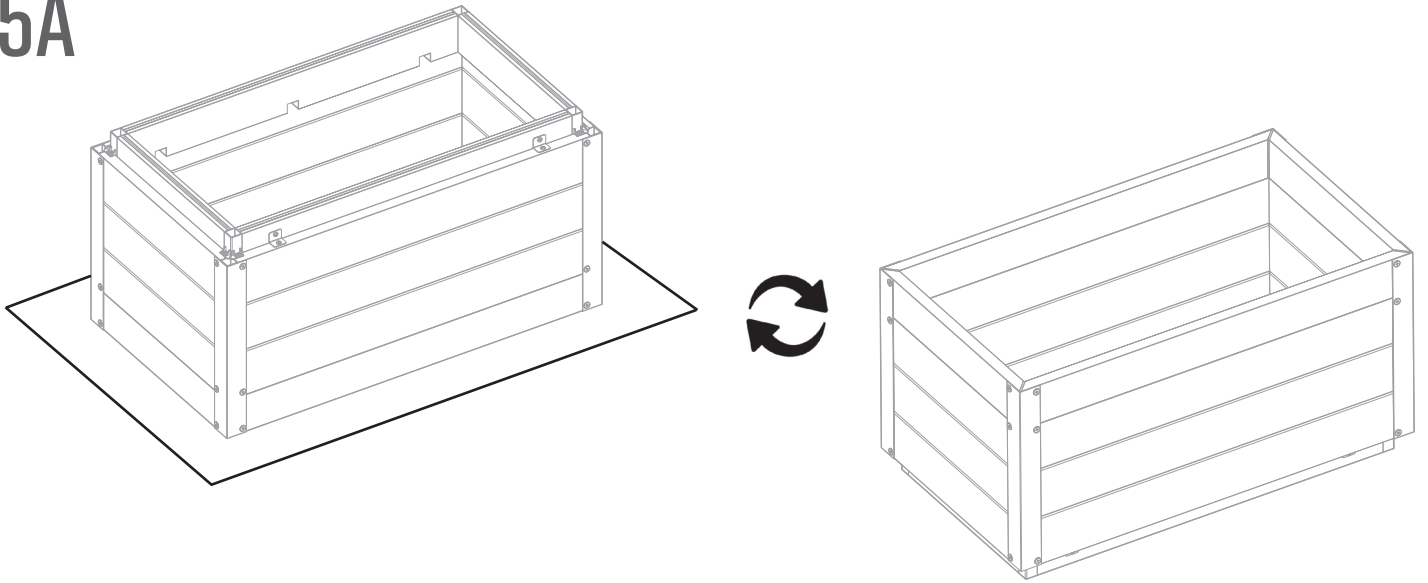


5

FLIP PLANTER OVER AND INSTALL PEDESTAL CROSS BRACE AND FLOORBOARDS
RETOURNEZ LA JARDINIÈRE ET INSTALLEZ LE RENFORT DU SOCLE ET LES LAMES DE PLANCHER
VOLTEE LA JARDINERA E INSTALE EL SOPORTE TRANSVERSAL DEL PEDESTAL Y LAS TABLAS DEL



5A



5B

