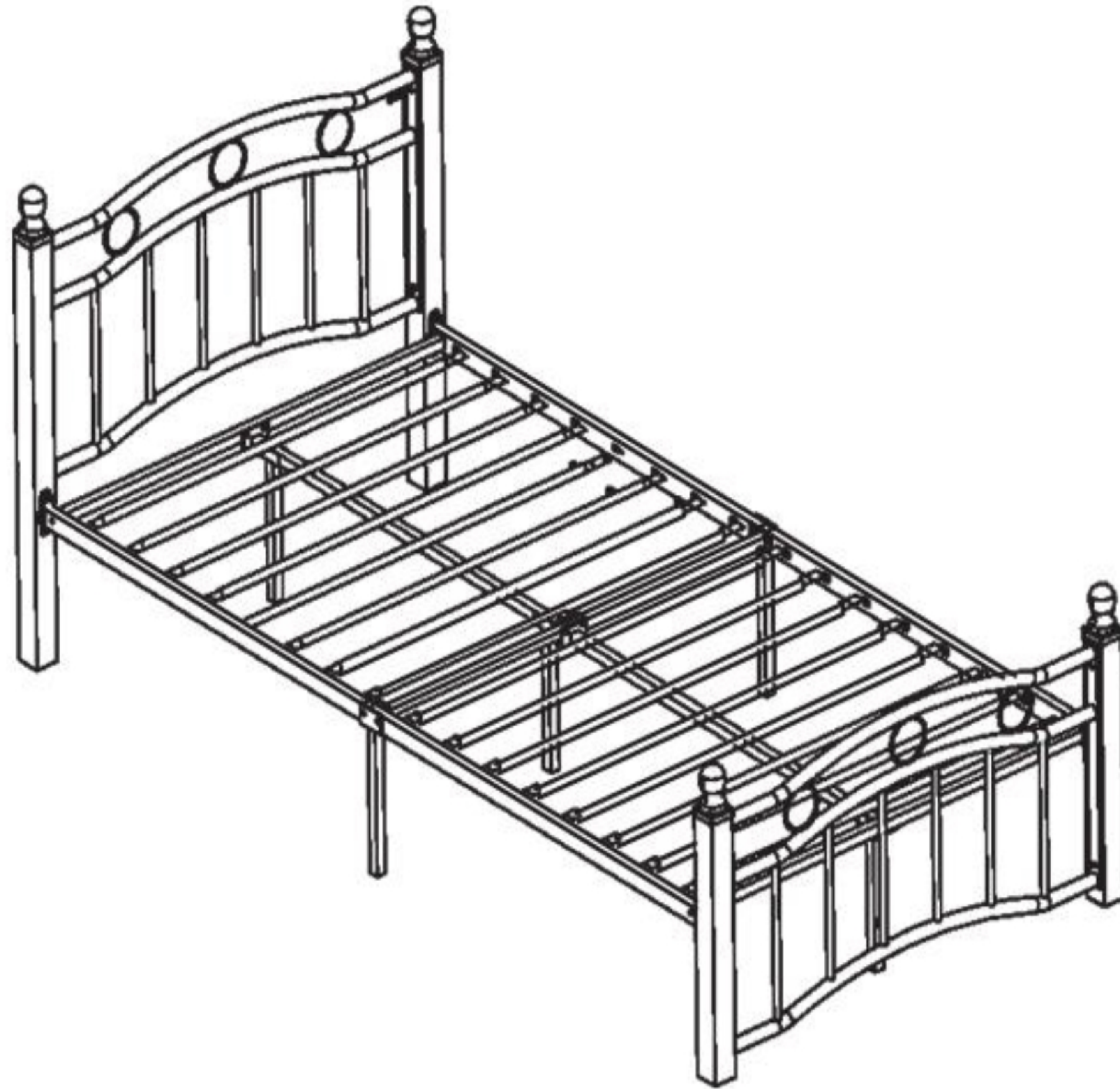


Assembly Instructions

Caution: You must read this before you proceed

BED



⚠ WARNING
STRANGULATION HAZARD.

NEVER place bed near windows where cords from blinds or drapes may strangle a child.

NEVER suspend strings over bed.

NEVER place items with a string, cord, or ribbon, such as hood strings or pacifier cords, around a child's neck.

These items may catch on bed parts.





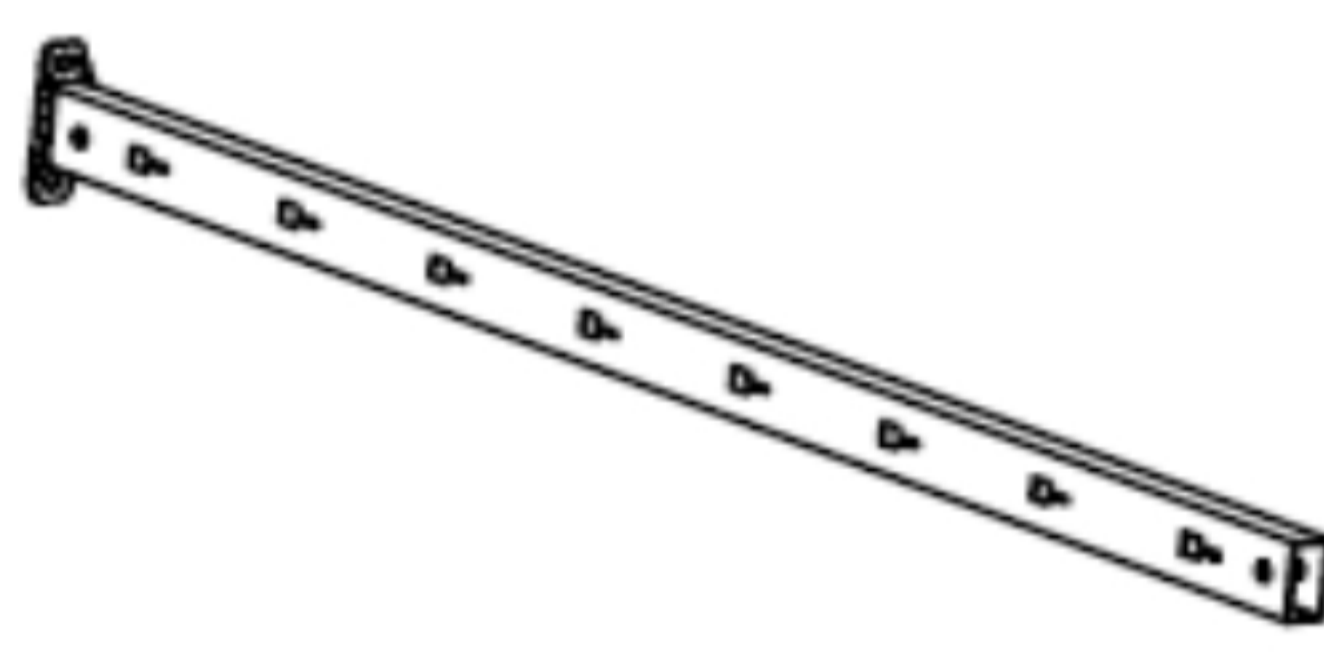


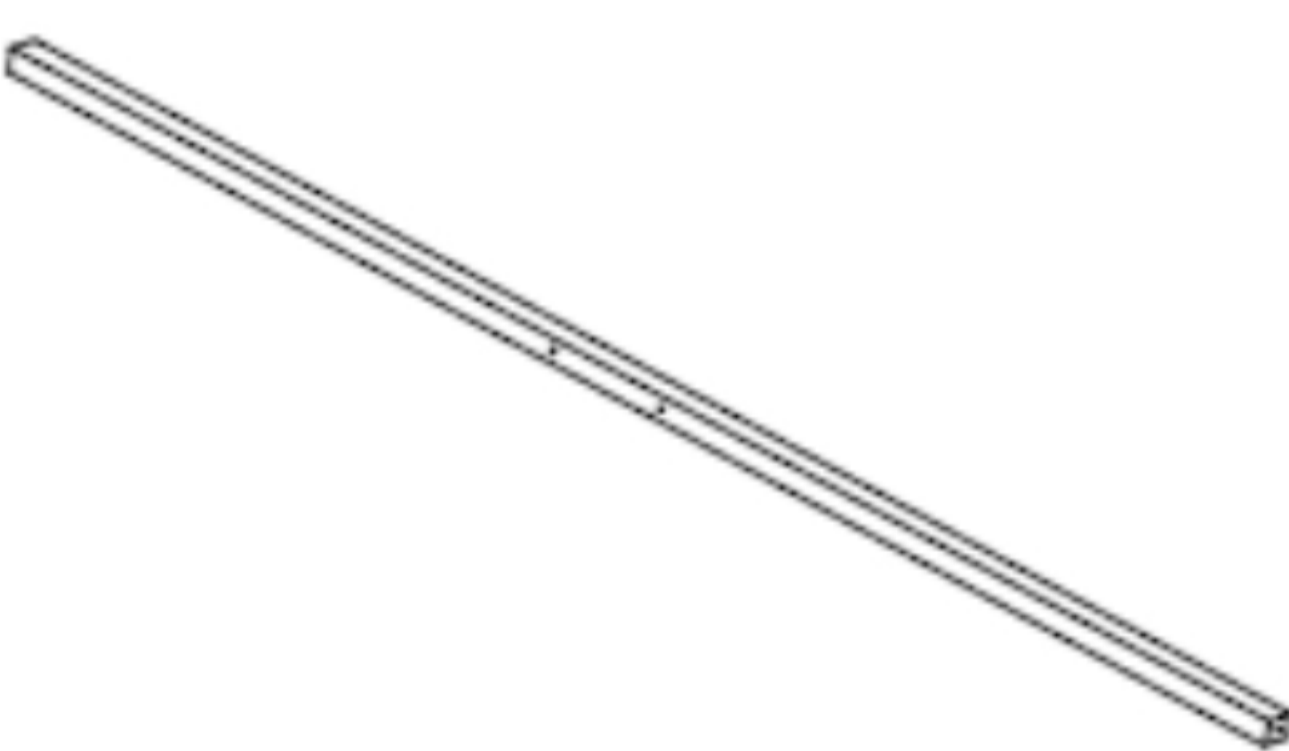
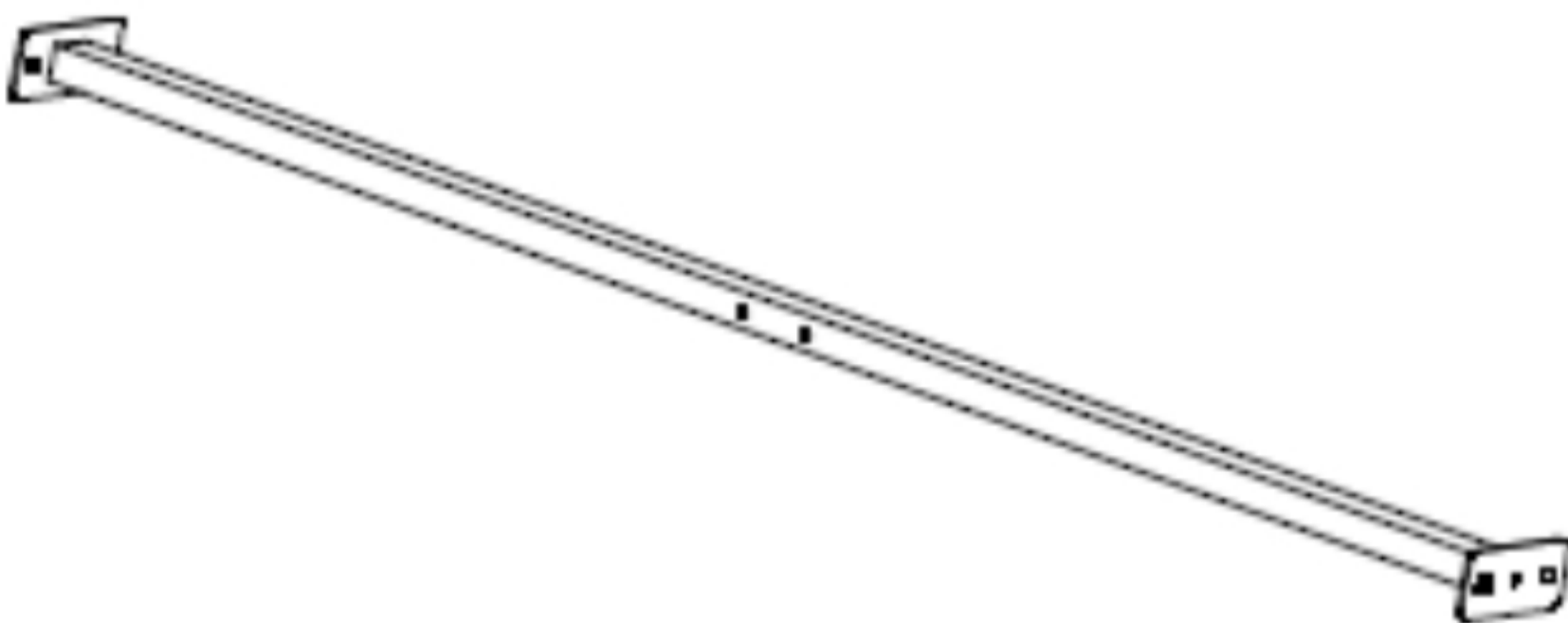
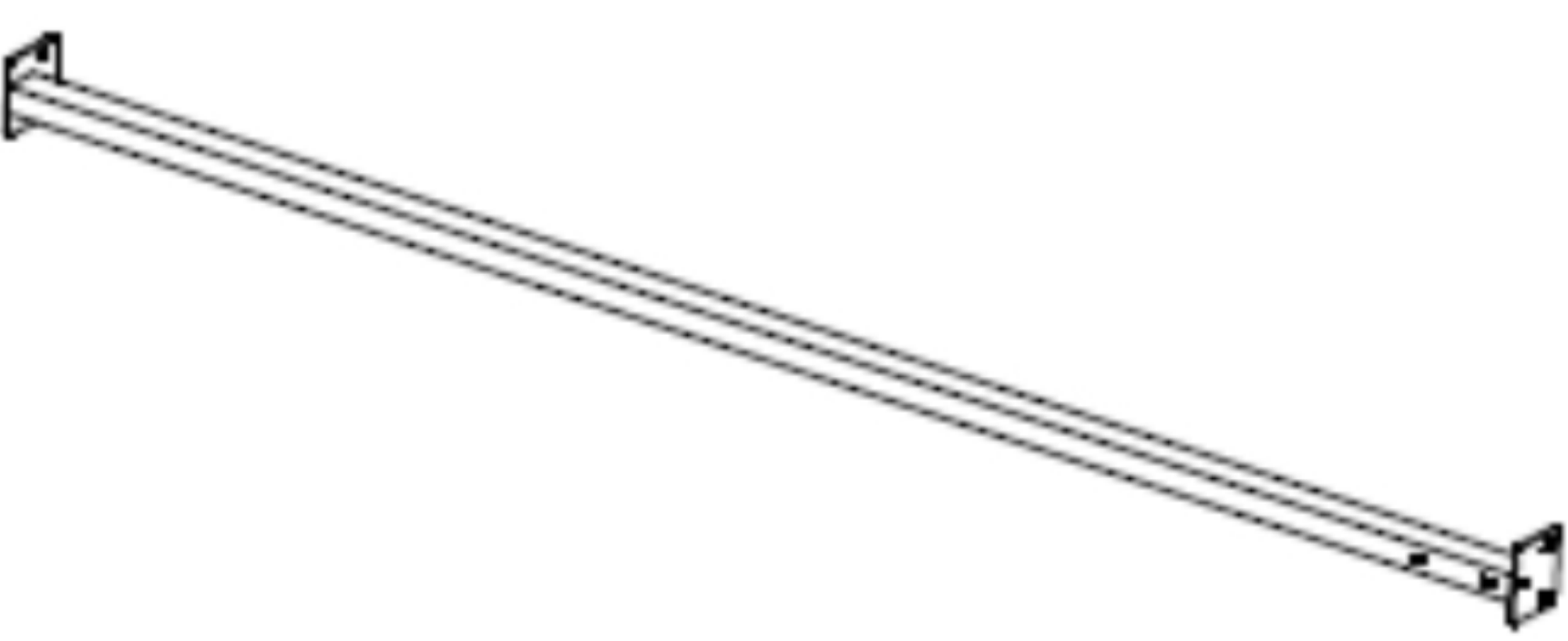
ALWAYS follow assembly instructions.

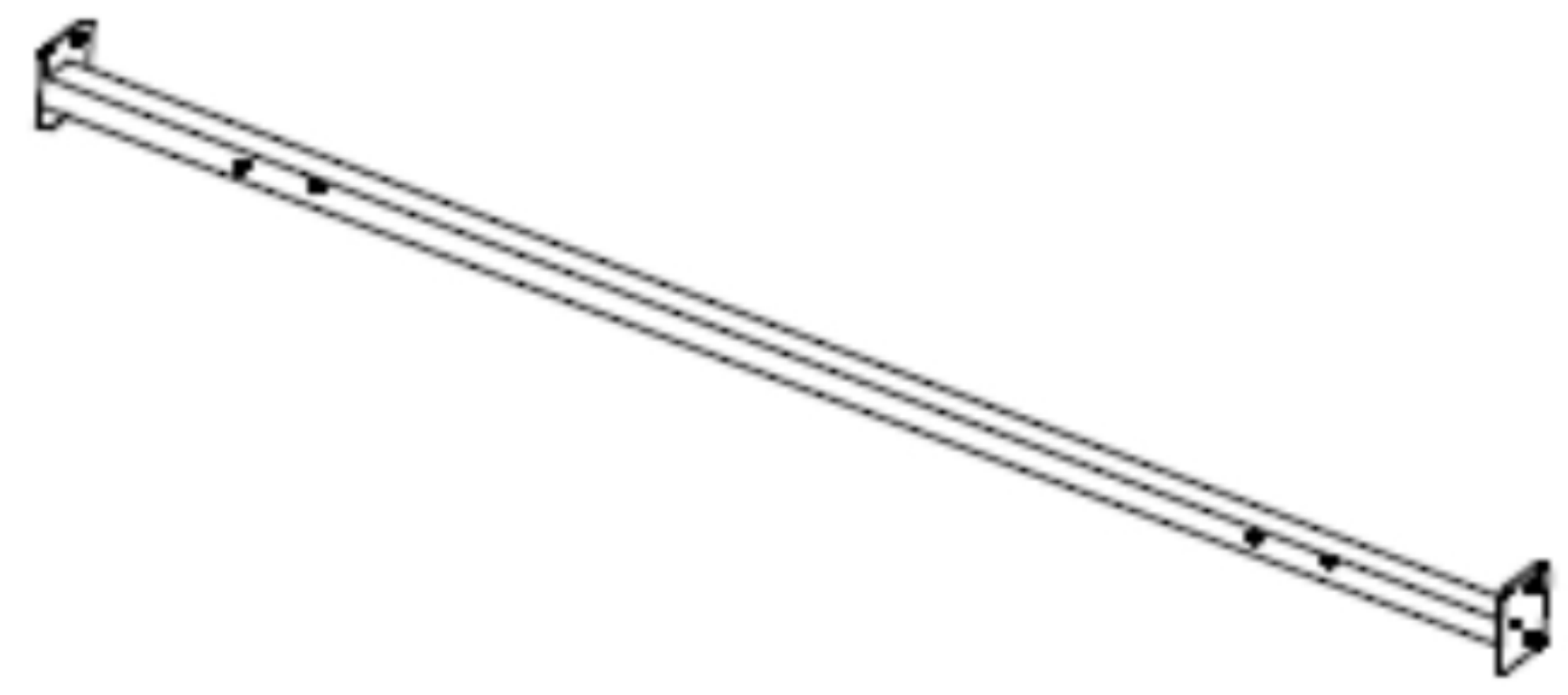
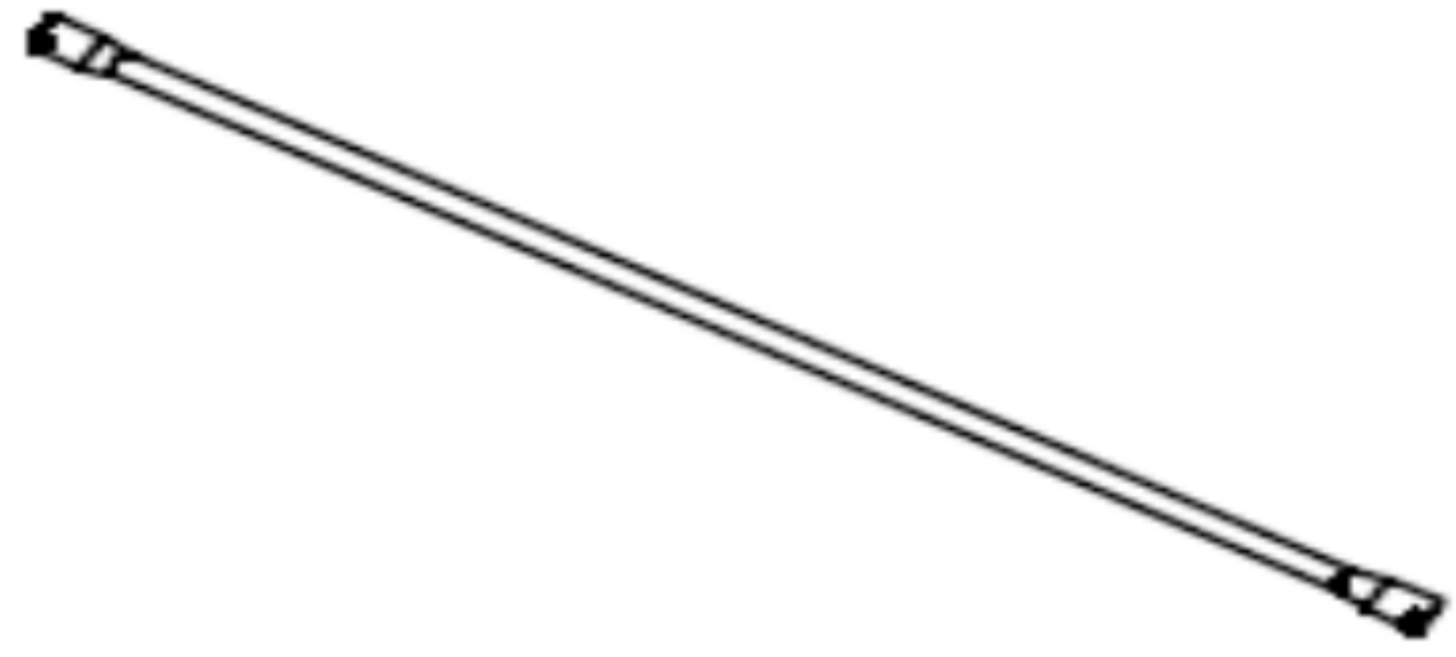

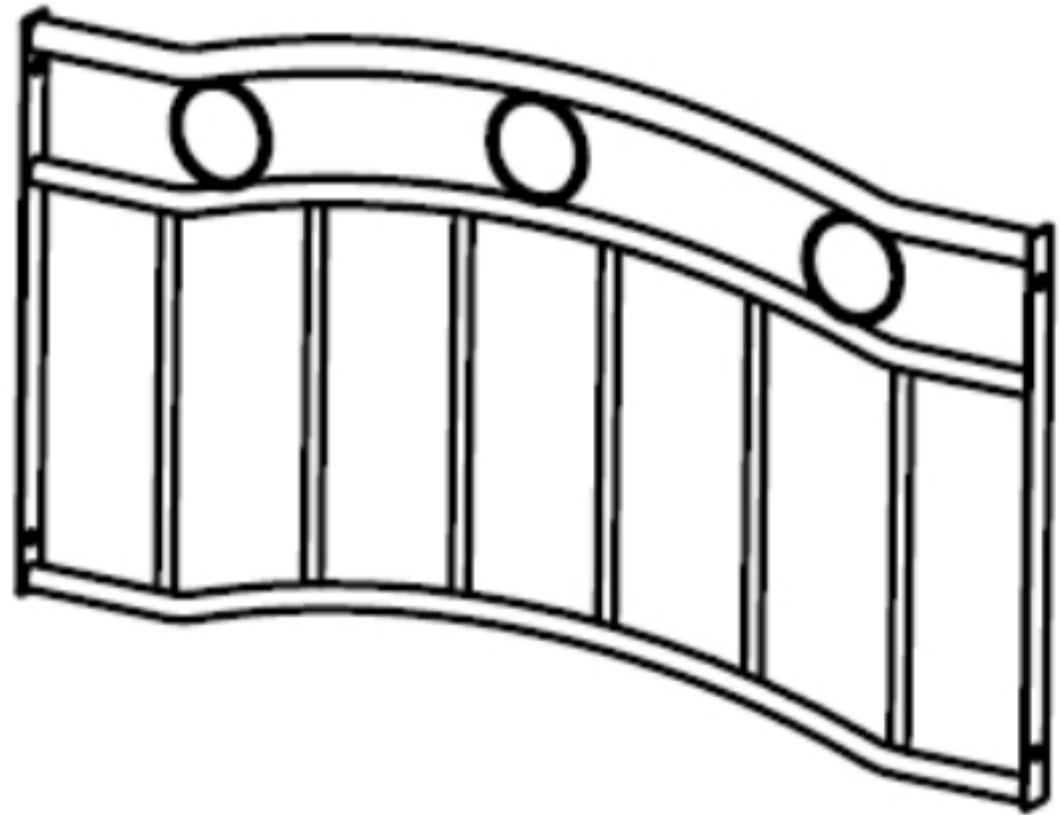

⚠ WARNING!

Not intended for children under the age of six. **INFANTS HAVE DIED FROM BECOMING ENTRAPPED IN BEDS.** Openings in and between bed parts can entrap the neck and head of a small child. NEVER use bed for child under the age of six.


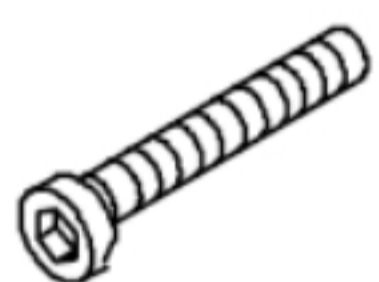

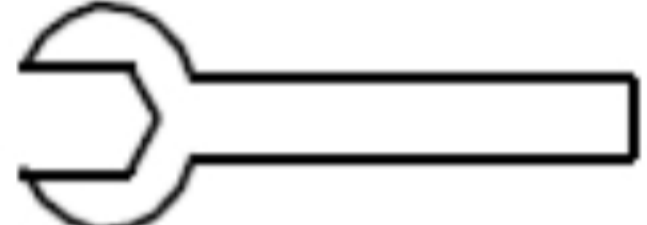


The mattress must be appropriately sized for the bed. If the mattress is undersized, dangerous gaps can exist and a person can become entrapped or entangled in the frame and suffocate.

Parts List

Label	Picture	Description	QTY
A		Left Headboard Foot	1
B		Right Headboard Foot	1
C		Left Footboard Foot	1
D		Right Footboard Foot	1
E		Side Rail(Labelled 'E')	2
F		Side Rail(Labelled 'F')	2
G		Rail Support Leg	2
H		Support Rail	2
I		Cross Center Support Rail	1
J		Vertical Front Center Rail	1

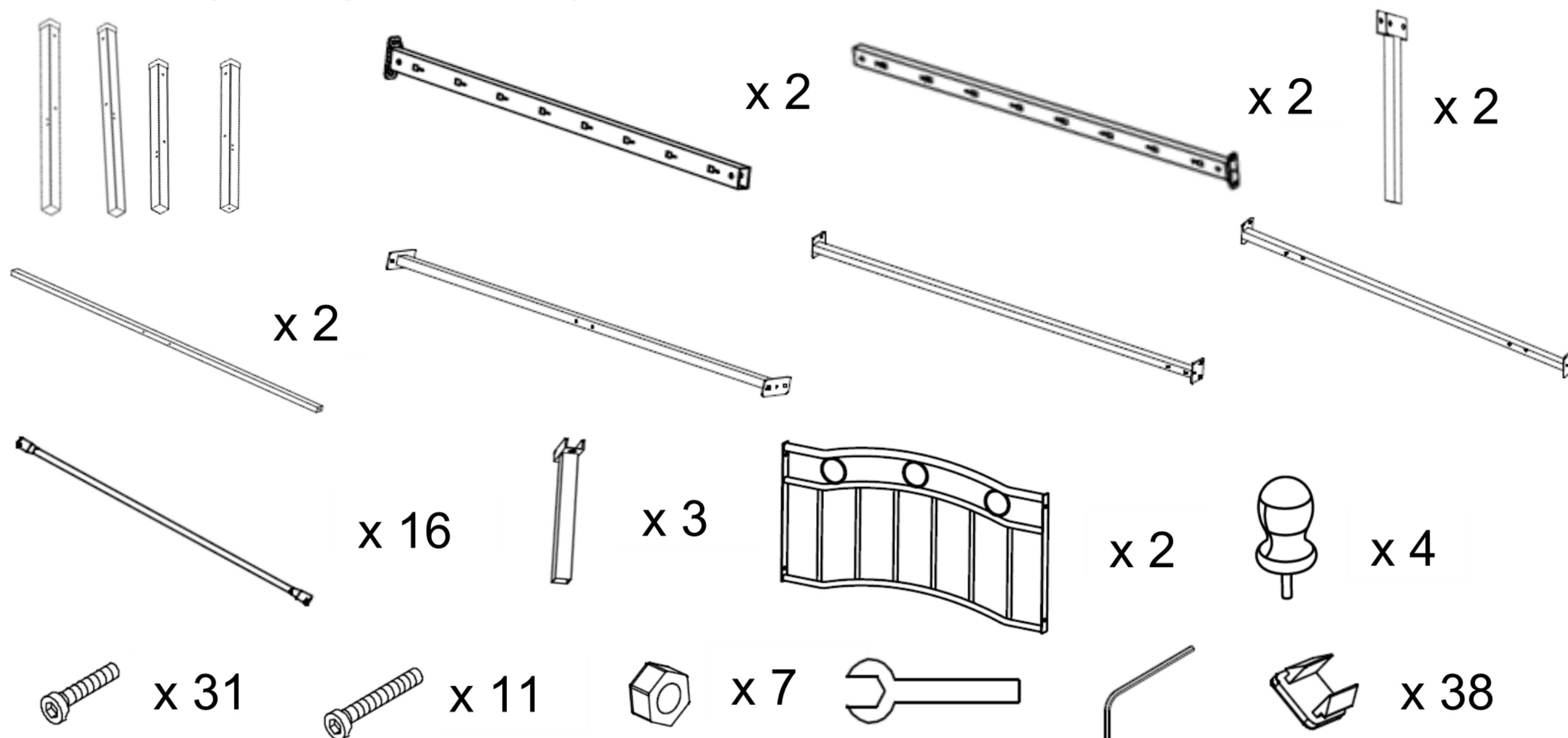
K		Vertical Rear Center Rail	1
L		Slat	16
M		Center Support Leg	3
N		Headboard/Footboard	2
O		Finial	4

Hardware

Label	Picture	Description	QTY
①		Bolt(M6x13mm)	31
②		Bolt(M6x40mm)	11
③		Nut(M6)	7
④		Wrench	1
⑤		Allen Wrench	1
⑥		Slat Connector	38

Assembly Preparation

Before Beginning Assembly:



- Read instructions, cover to cover-



- Have 2 adults on hand for assembly-



- Do not assemble on flooring or carpet-



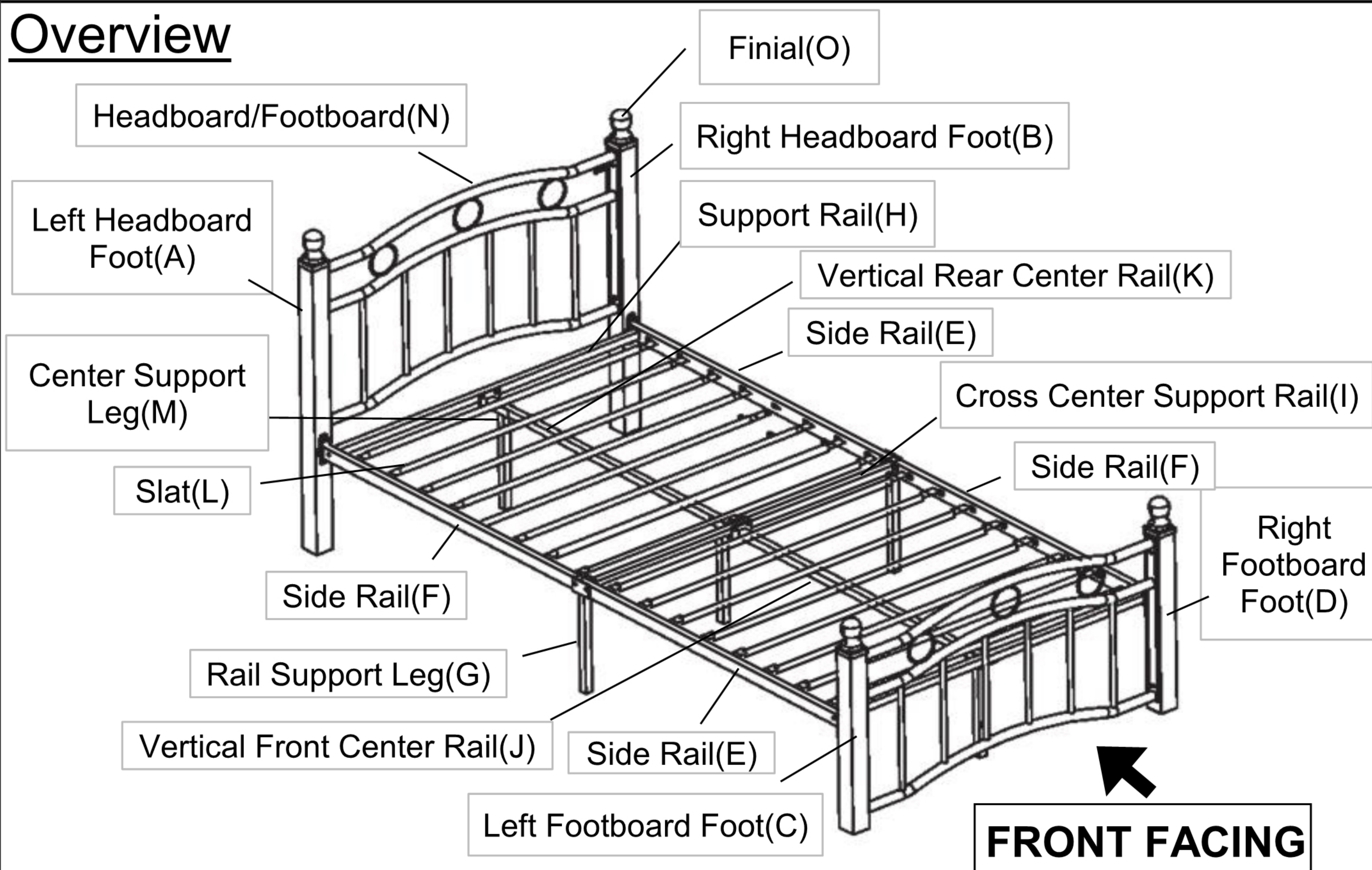
- Assemble on a clean non-marring surface (packing foam)-



- Save all packaging until finished-

Assembly Steps

Overview

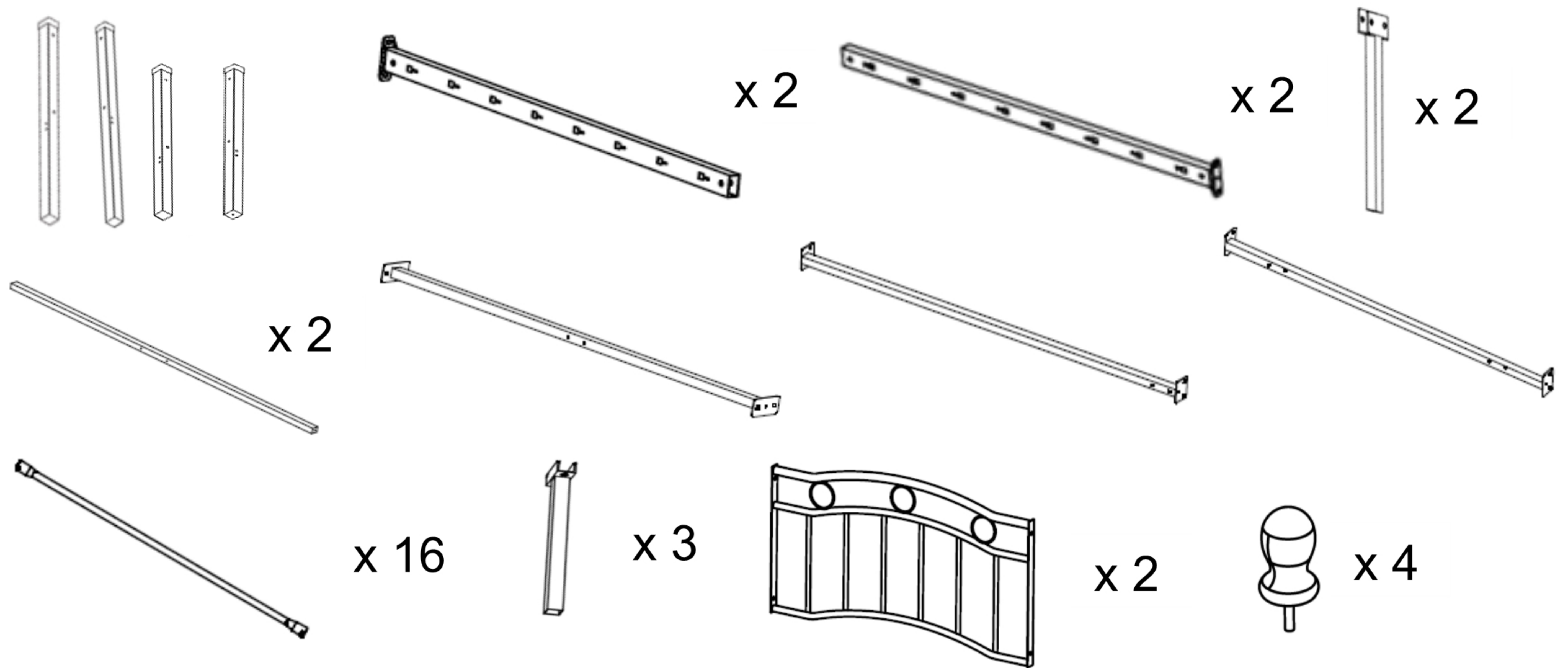


This BED has multiple parts and may require up to some 60 minutes to assemble.

To give you an overview of the BED parts, the above picture is to help you put the various parts into perspective.

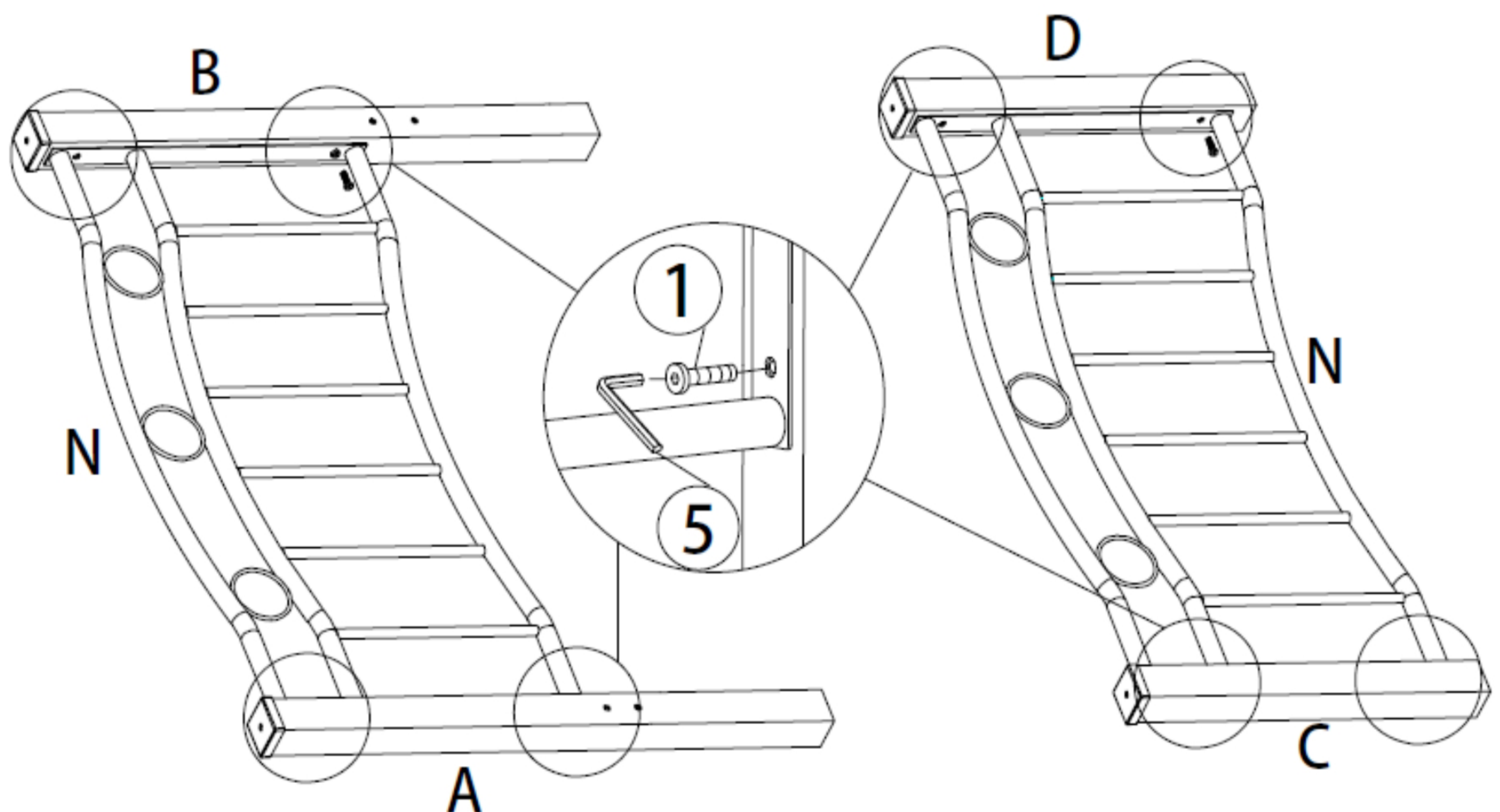
Please read through the instructions below to familiarise yourself with the parts and steps before assembly.

Step 1



Unpack and place all parts for clear visibility.

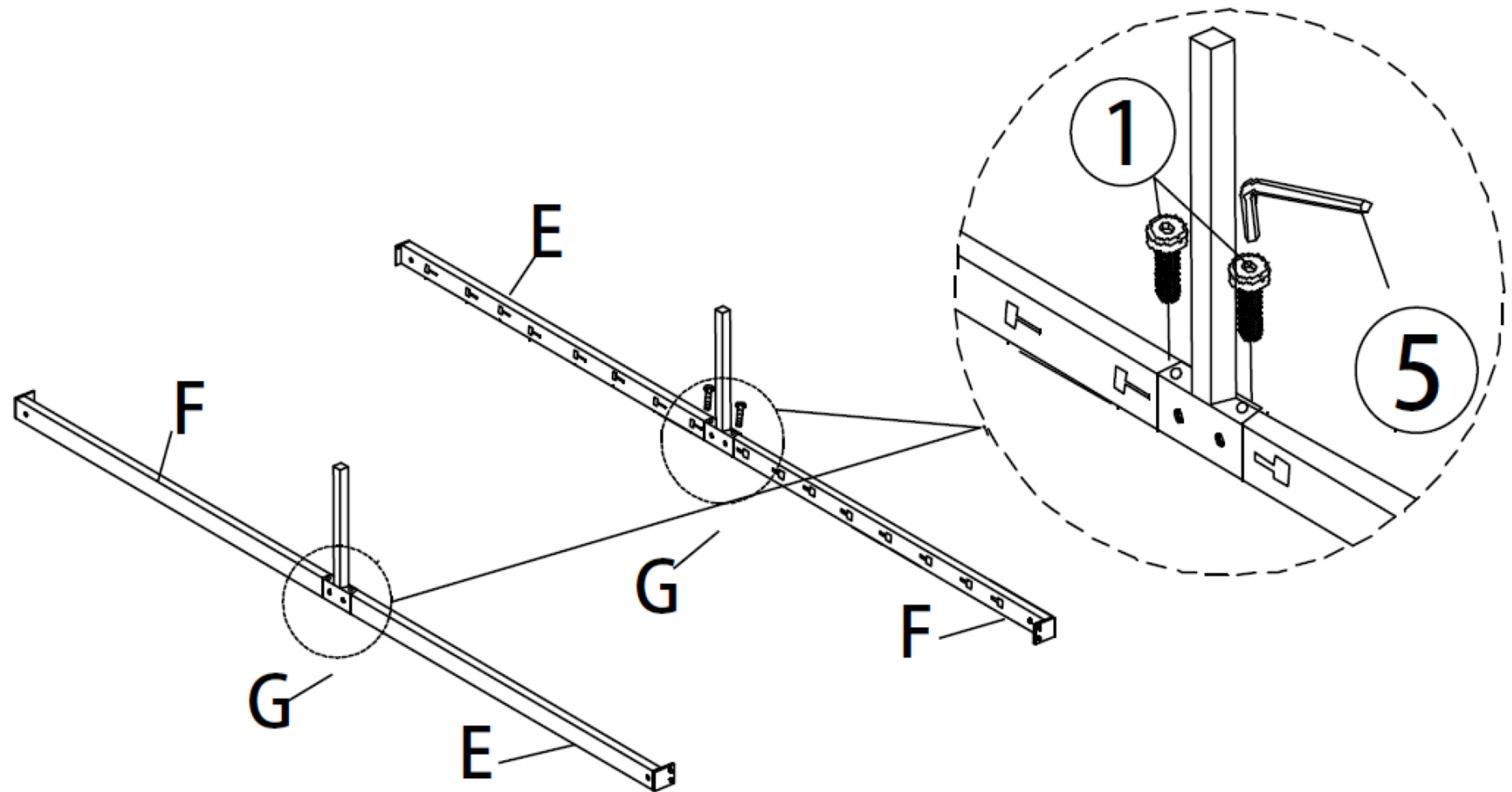
Step 2



Attach Left Headboard Foot(A) and Right Headboard Foot(B) to Headboard/Footboard(N) using Bolt(①) with Allen Wrench(⑤), as shown in above picture.

Repeat the same step to assemble Left Footboard Foot(C) and Right Footboard Foot(D) to Headboard/Footboard(N).

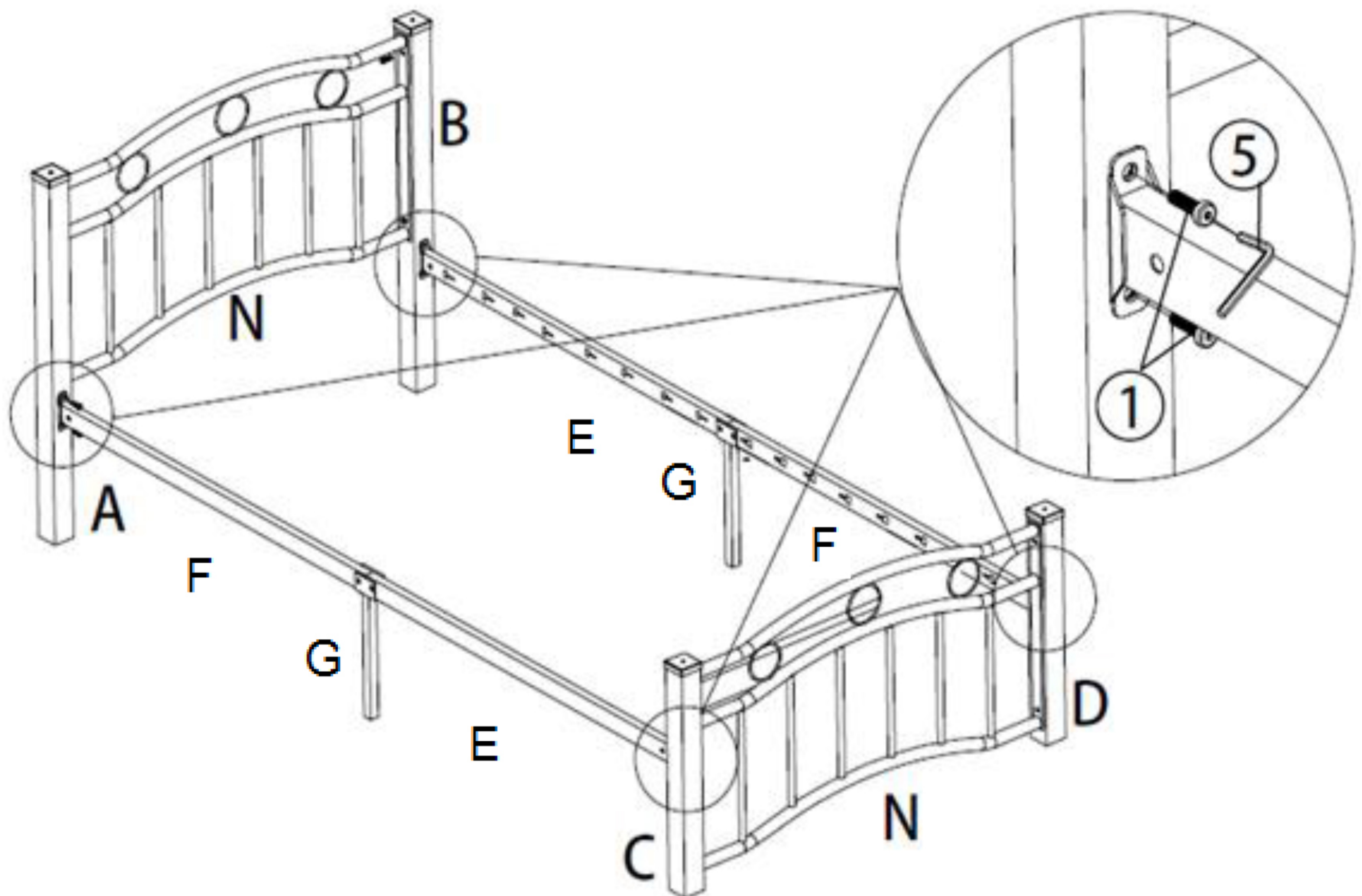
Step 3



Align the mounting positions of Rail Support Leg(G) to Side Rail(E&F). Attach Rail Support Leg(G) to Side Rail(E&F) using Bolt(①) with Allen Wrench(⑤).

Repeat same step to assemble the other Side Rail frame(E&F&G).

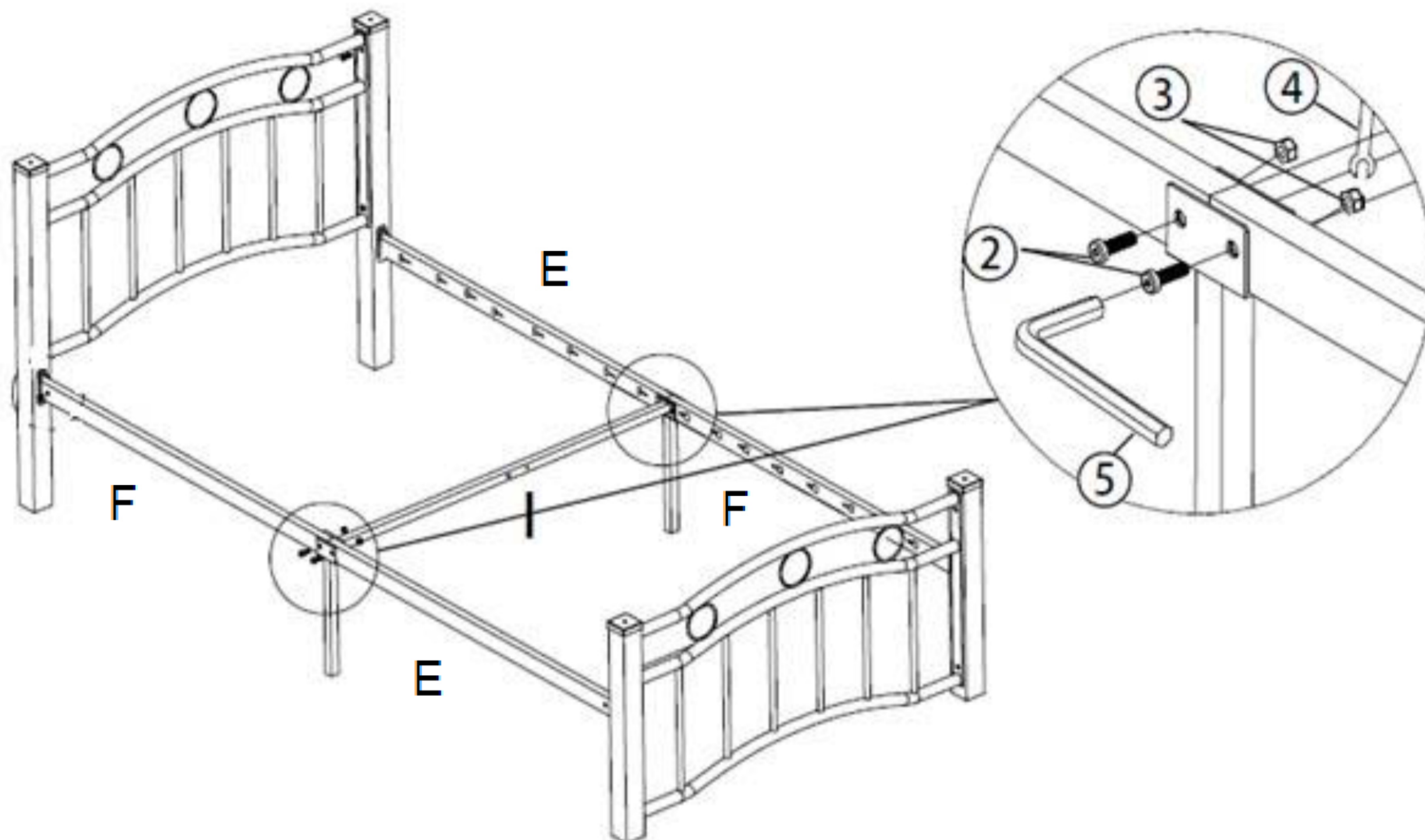
Step 4



Turn over the assembled rails.

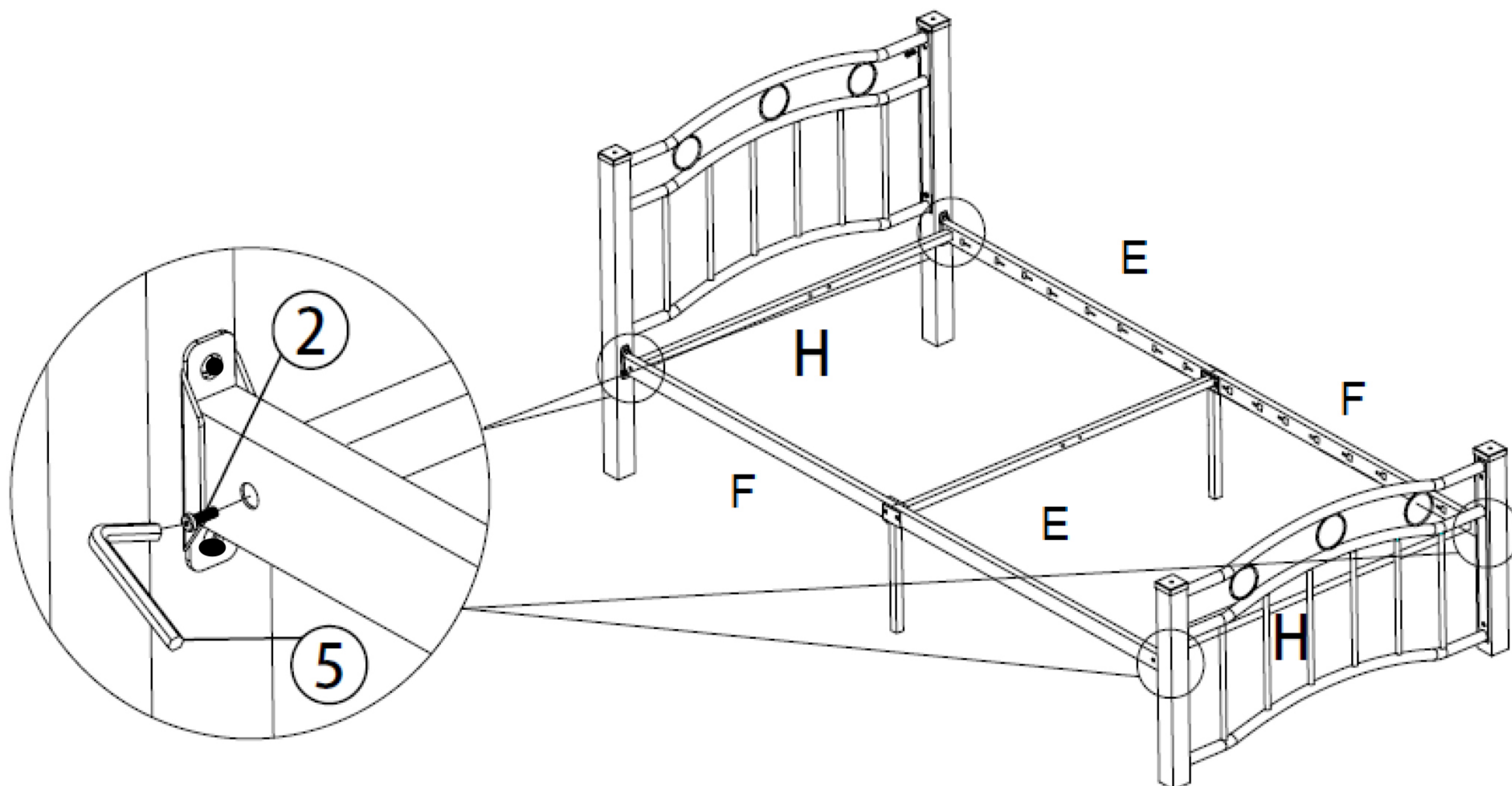
Attach Side Rail frame(E&F&G) to Headboard/Footboard(N) using Bolt(①) with Allen Wrench(⑤).

Step 5



Attach Cross Center Support Rail(I) to the Rail(E&F) using Bolt(②) and Nut(③) with Allen Wrench(⑤) and Wrench(④).

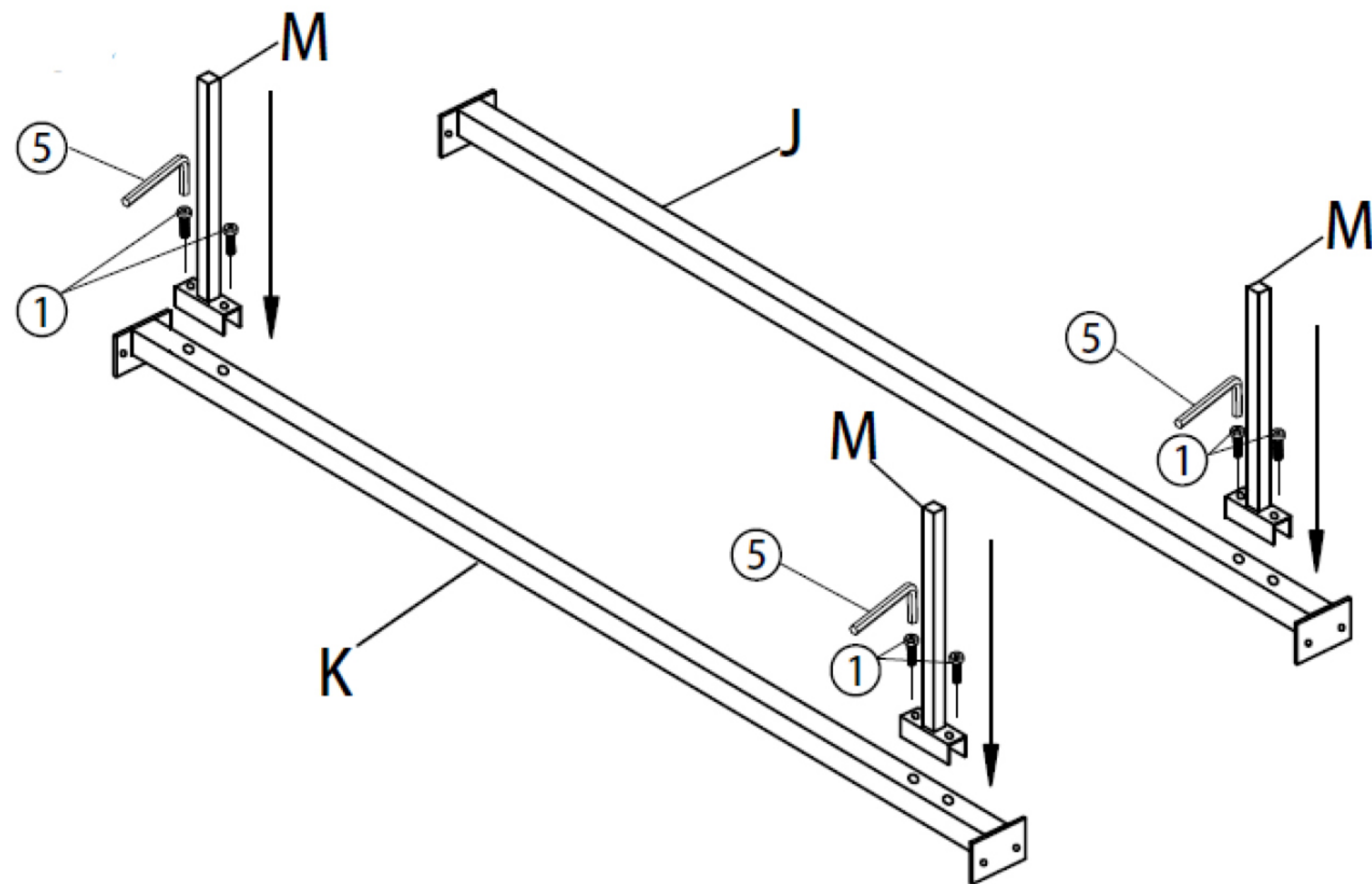
Step 6



Attach Support Rail(H) to Side Rail(E&F) using Bolt(②) with Allen Wrench(⑤).

Repeat the same step to assemble the other Support Rail(H) to Side Rail(E&F).

Step 7

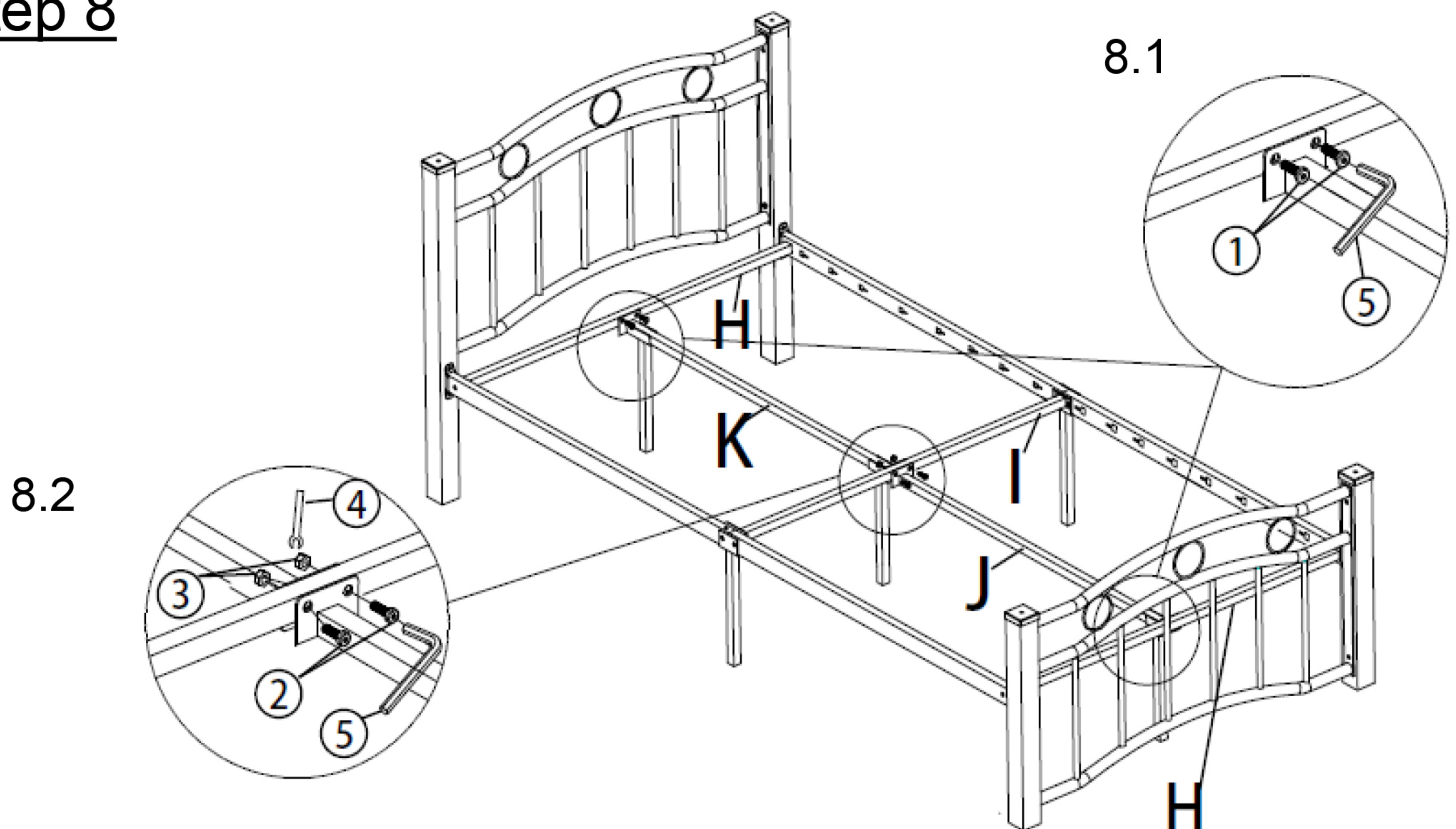


Align the mounting positions of Center Support Leg(M) to Vertical Front Center Rail(J).

Attach Center Support Leg(M) to Vertical Front Center Rail(J) using Bolt(①) with Allen Wrench(⑤).

Repeat same step to assemble Center Support Leg(M) to Vertical Rear Center Rail(K).

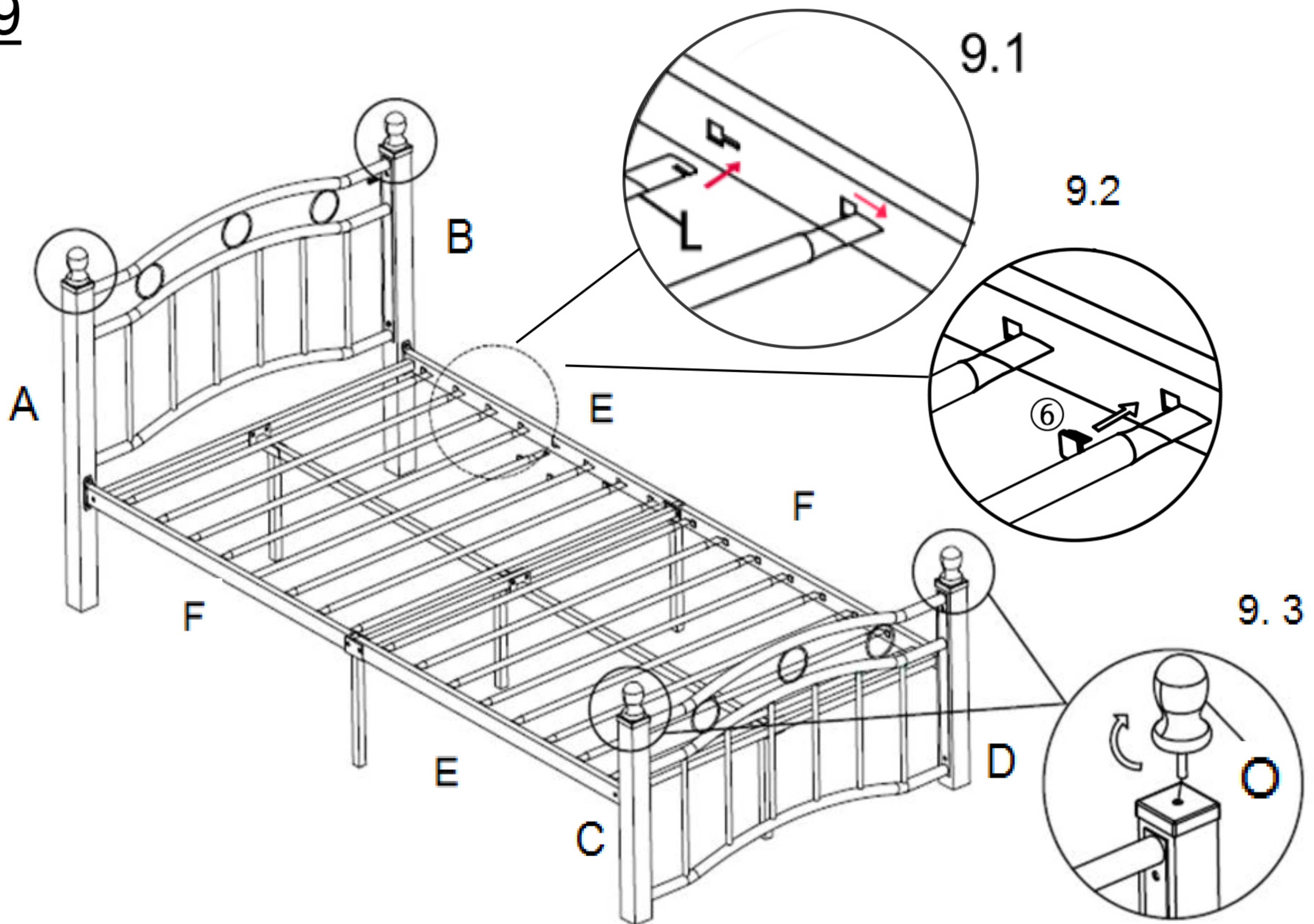
Step 8



8.1) Attach Vertical Front Center Rail(J) and Vertical Rear Center Rail(K) to Support Rail(H) using Bolt(①) with Allen Wrench(⑤).

8.2) Attach Vertical Front Center Rail(J) and Vertical Rear Center Rail(K) to Cross Center Support Rail(I) using Bolt(②) and Nut(③) with Allen Wrench(⑤) and Wrench(④).

Step 9

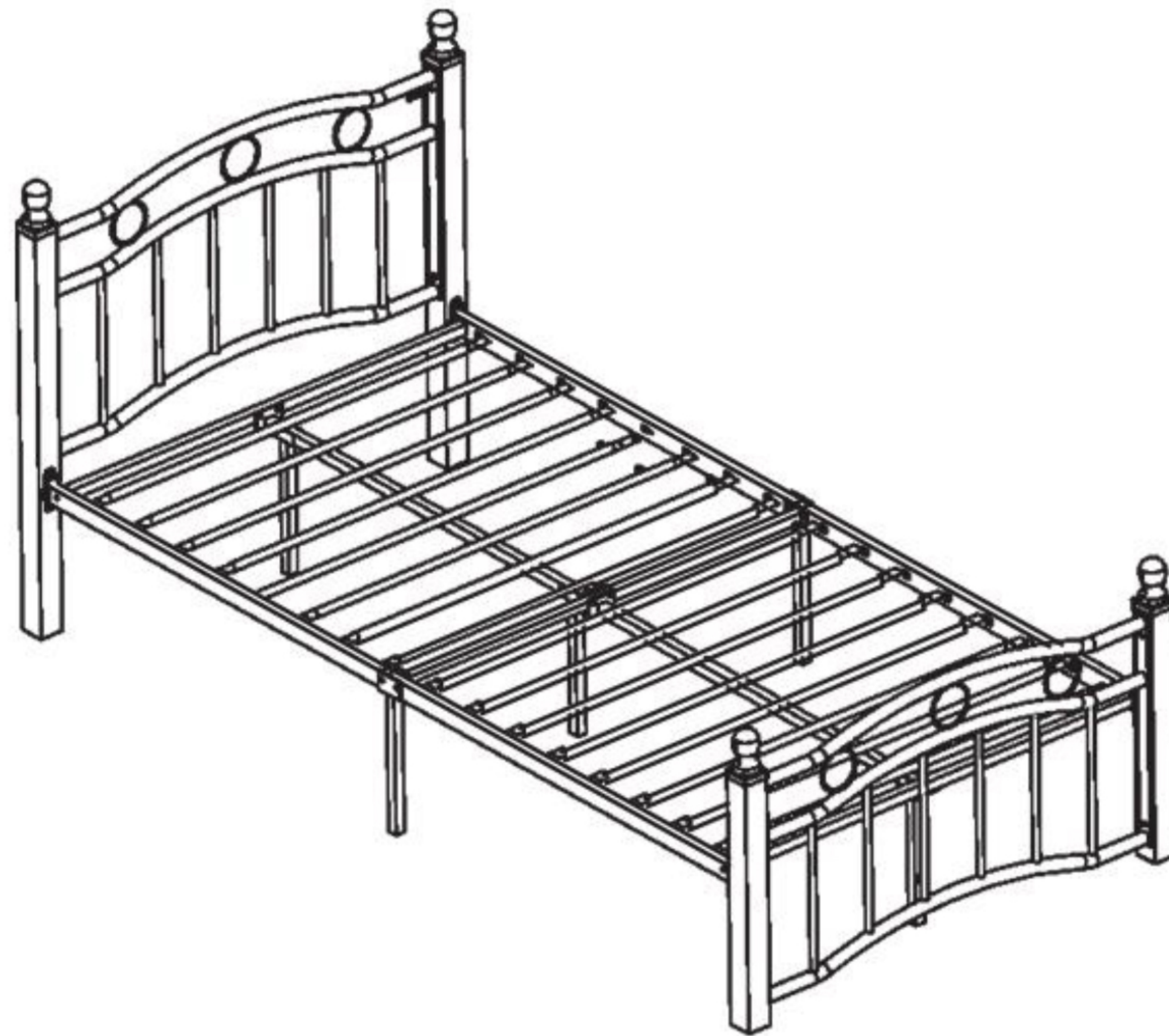


9.1) Attach assembled Slat(L) to the mounting position of Side Rails(E&F).

9.2) Insert Slat connectors(⑥) into Side Rails (E&F).

9.3) Attach the Finial(O) to Headboard Foot(A&B) and Footboard Foot(C&D).

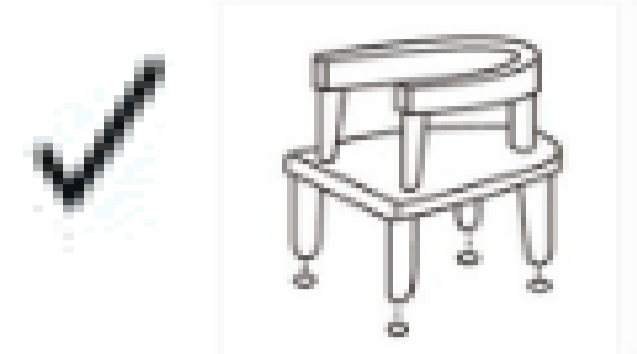
Step 10



Now, fully and securely, tighten all nuts, at all joints.
Inspect it and make sure all parts are adequately connected.
Your bed is ready for use.

Caution: This Bed can only be used on a flat, level surface.

Care & Maintenance



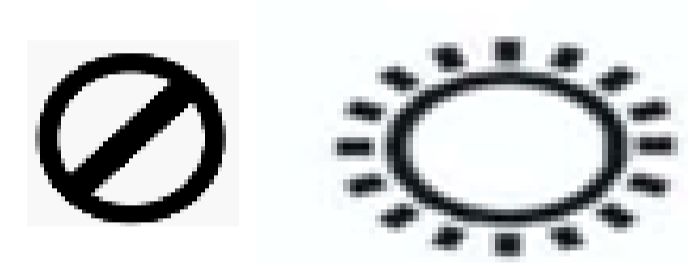
- Furniture may scratch floors. We recommend using furniture pads to protect your floors.



- Do not put hot items directly on furniture surface.



- Do not clean furniture with harsh cleansers or polish.



- Do not place furniture under direct sunlight.



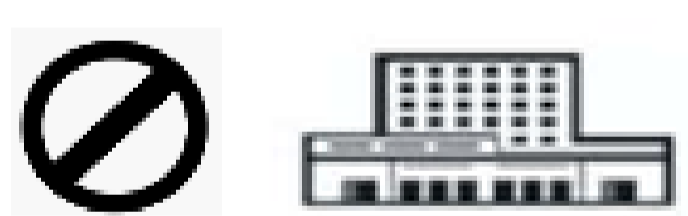
- Do not place furniture near heating or cooling vents.



- Do not write on furniture without a padded barrier to protect the surface.



- Do not place furniture outside . For indoor use only.



- Not for commercial use. For residential use only.



- Stains may be removed with mild soap solution and damp cloth.



- Children should not climb or jump on the furniture.



- Dust and pick-up spills using a clean, non-colored, lint-free cloth.