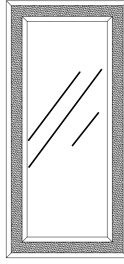


# ASSEMBLY INSTRUCTION



## ACCESSORIES LIST

Code	Diagram	QTY	Code	Diagram	QTY
<b>A</b> (Mirror)		1pcs	<b>B</b> (Plastic anchors)		5pcs
<b>C</b> (Plastic anchors for gypsum walls)		5pcs	<b>D</b> (Tapping Screws)		5pcs
<b>E</b> (J-shape hanger)		2pcs	<b>F</b> (EVA mat)		3pcs

### Note:

1. Please prepare all the shown tools before installation.



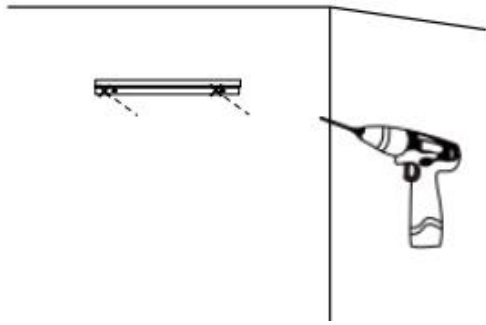
2. MUST 2 people for assembling as the item is heavy (Mirror over 50LB)

3. Suitable Wall Types

Acceptable	Concrete walls, Wood stud walls, Brick walls
Not Recommended	Hollow walls (e.g., non-structural drywall, plasterboard)

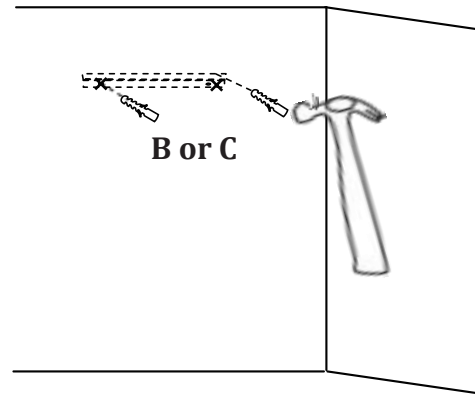
# Wall-mounting Step

## Step 1



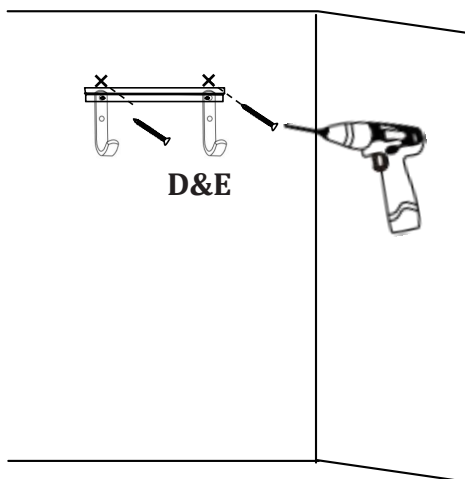
Trace the mirror's hook distance on the wall alignedly and drill 2 holes

## Step 2



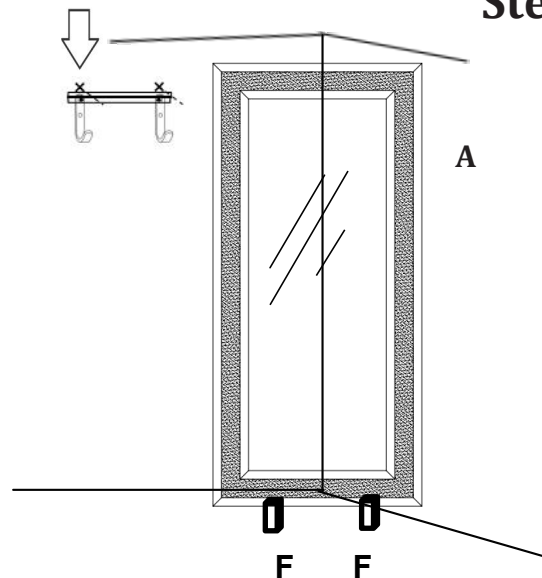
Insert the Plastic anchors.  
NOTE: No. B rubber plug for solid walls.  
No. C rubber plug for gypsum walls.

## Step 3



Attach J-shaped brackets to the wall studs using screws

## Step 4



Lift mirror with two people and align with brackets.

EVA pads(F) helps to prop up the bottom of the product if the mirror is tilting.

(hang vertically in the same way)

## Safety Warnings

- Weight Capacity: Total anchor strength must exceed 1.5x mirror weight.
- Common Errors: Never mount directly on drywall without anchors; avoid using short screws on stud walls
- Loose Anchors: Replace with larger toggle bolts or switch to stud mounting.
- Tilted Mirror: Re-level brackets and tighten screws