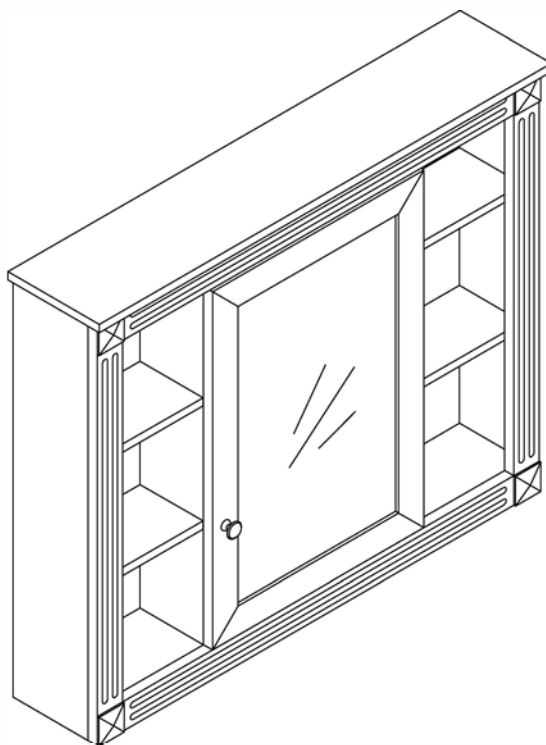


ASSEMBLY INSTRUCTIONS


36" BATHROOM CABINET

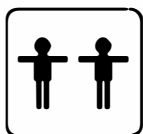


Thank you for purchasing this quality product. Be sure to check all packing material carefully for small parts which may have come loose inside the carton during shipment. Separate, identify and count all parts and hardware.

Compare with the parts list to be sure all parts are present.

"DO NOT TIGHTEN SCREWS UNTIL COMPLETELY ASSEMBLED"

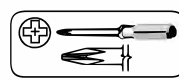

* Use of power tool to assemble this product will invalidate any claim and damage this product making unsafe !!!
* Please assemble on a clean soft surface to avoid damage.



+



Tools Required



(Not included)



(Not included)

IMPORTANT:

PLEASE READ INSTRUCTION BEFORE STARTING THE ASSEMBLY

PLEASE DO NOT RETURN TO STORE



**Please do not return this product to the retailer!!
We are able to assist you in ANY way**

If you find that you have any trouble with assembly or missing or damaged parts please contact the seller.

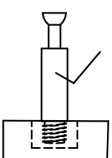
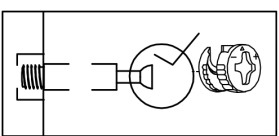
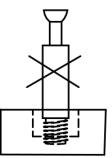
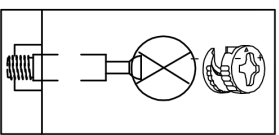
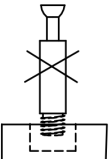
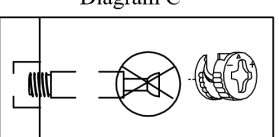
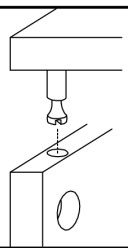
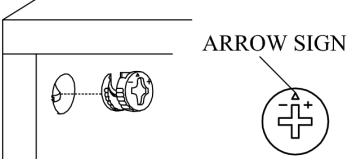
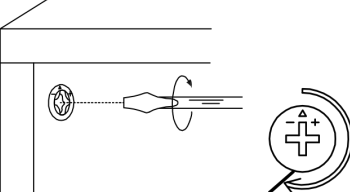
Before Installation

Important – Please read these instructions fully before starting assembly

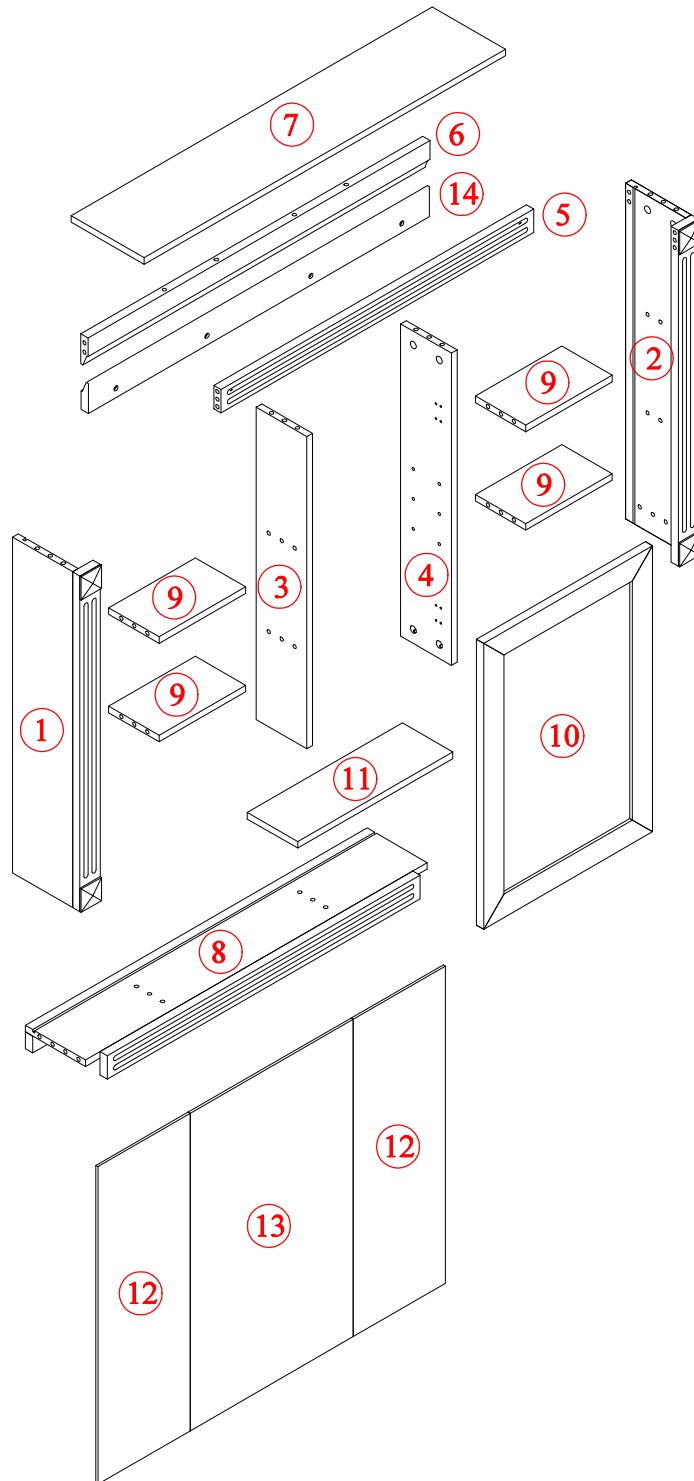
Thank you for purchasing this quality product. Be sure to check all packing materials carefully for small parts, which may have come loose inside the carton during shipment. Identify and count all items according to the PARTS LIST and/or HARDWARE LIST shown below. Check you have all the components and tools listed on the following pages.

- We recommend that you assemble this product with the assistance of another person; this will make the assembly easier, and will help eliminate damage to the product or injury to persons during assembly.
- Please do not over tighten screws or bolts until the assembly is completed.
- Keep children and animal away from the work area, small parts could choke if swallowed.
- Please put all parts on a non-abrasive floor before assembly, and follow the assembly steps to assemble your newly purchased product correctly and efficiently.

Cam Lock Assembly Instructions

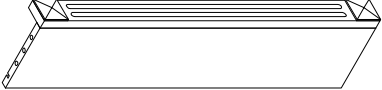
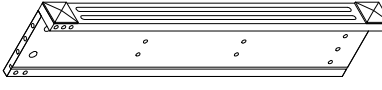
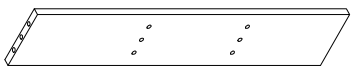
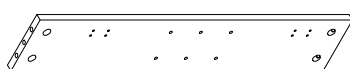
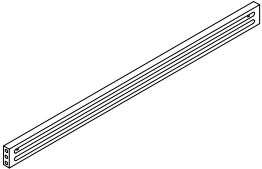
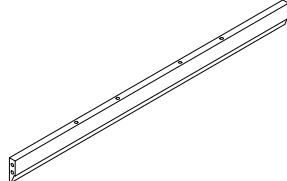
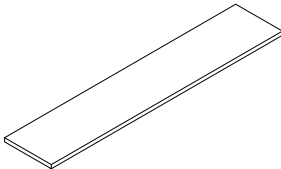
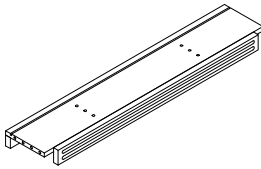
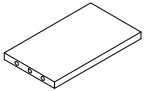
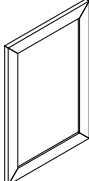
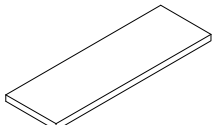
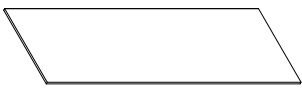

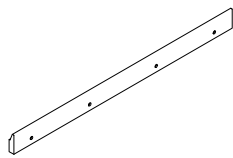
		Diagram A Insert Cam Bolt into hole as shown in diagram A.
		Diagram B Make sure not to insert the Cam Bolt: Too deep as shown in figure B as this will cause the Cam Lock to be misaligned and unable to interlock properly.
		Diagram C Also avoid inserting the Cam Bolt too close to the surface of the hole as shown in figure C, as this will cause the Cam Lock to be too loose, and not interlock properly.
		Connect the panels together.
	ARROW SIGN	Insert the Cam Lock so the side opening fits over the head of the Cam Bolt.
		To tighten the Cam Lock, turn it clockwise on half a turn with a flat screwdriver. <i>*Do not use an automatic screwdriver as it may bend or break if too much power is imposed.</i>

Detail View - CABINET

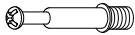




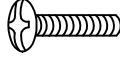
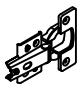
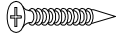
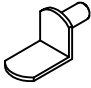




Identifying the Hardware-Identify the hardware using the illustrations below.

Part List

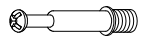
<p>1</p>  <p>Side Panel (L) - 1pc</p>	<p>2</p>  <p>Side Panel (R) - 1pc</p>
<p>3</p>  <p>Mid Panel (L) - 1pc</p>	<p>4</p>  <p>Mid Panel (R) - 1pc</p>
<p>5</p>  <p>Front Bar Top - 1pc</p>	<p>6</p>  <p>Front Bar Rear - 1pc</p>
<p>7</p>  <p>Top Panel - 1pc</p>	<p>8</p>  <p>Bottom Panel - 1pc</p>
<p>9</p>  <p>Side Panel (L-R) - 4pcs</p>	<p>10</p>  <p>Door - 1pc</p>
<p>11</p>  <p>Adjustable Shelf - 1pc</p>	<p>12</p>  <p>Back Panel (L-R) - 2pcs</p>
<p>13</p>  <p>Back Panel (M) - 1pc</p>	<p>14</p>  <p>Connect Bar - 1pc</p>

Hardware List

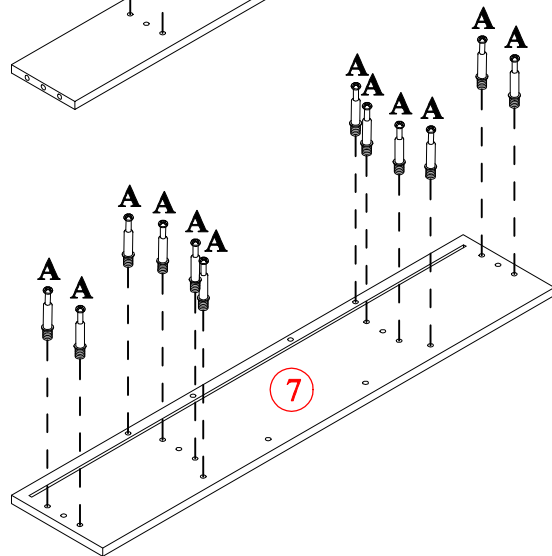
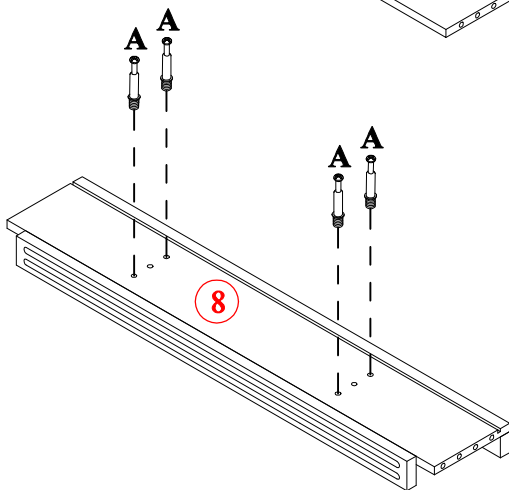
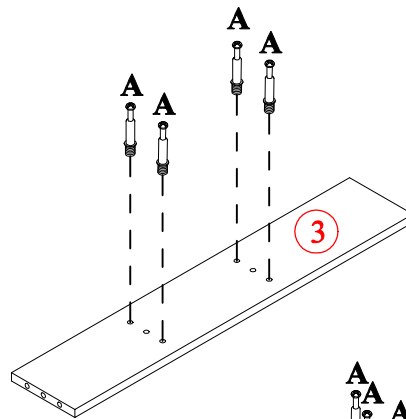
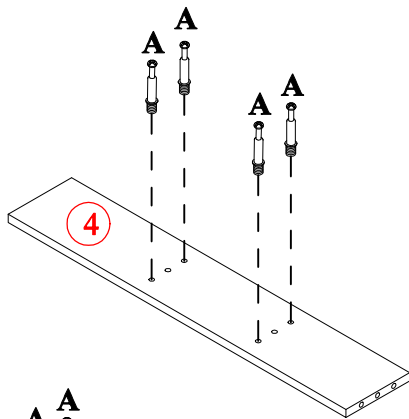
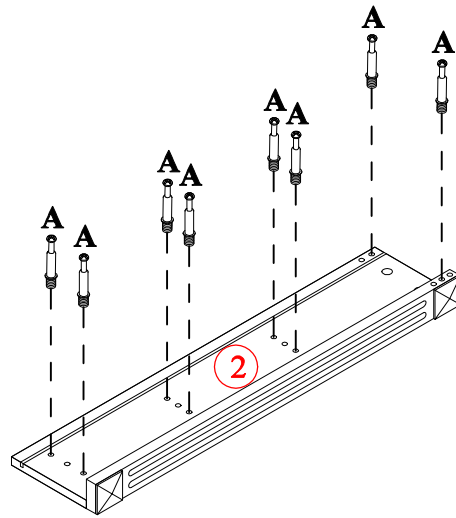
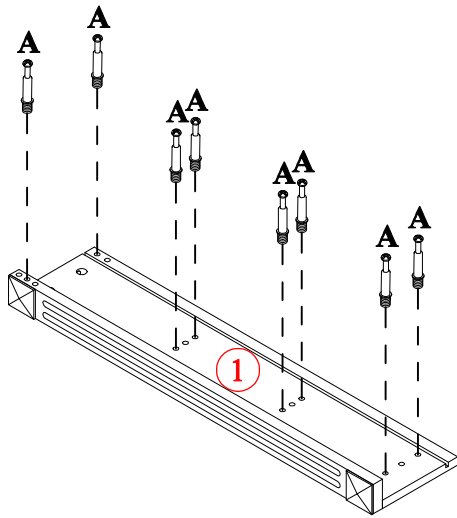
<p>A</p>  <p>$\varnothing 6 \times 35 \text{mm}$</p>	<p>B</p>  <p>$\varnothing 14.5 \times 12 \text{mm}$</p>	<p>C</p>  <p>$\varnothing 10 \times \varnothing 5 \times 50 \text{mm}$</p>
<p>Three in one bolts(40pcs)</p>	<p>Three in one lock(40pcs)</p>	<p>Flat head screw - 4pcs</p>
<p>D</p>  <p>$\varnothing 12 \times 55 \text{mm}$</p>	<p>E</p> 	<p>F</p>  <p>$\varnothing 5/32" \times 25 \text{mm}$</p>
<p>Plastic stopper - 4pcs</p>	<p>Handle (1pc)</p>	<p>Handle screw(1pc)</p>
<p>G</p> 	<p>H</p>  <p>$\varnothing 7 \times \varnothing 3.5 \times 15 \text{mm}$</p>	<p>I</p> 
<p>Damping hinge (2pcs)</p>	<p>Flat head screw(12pcs)</p>	<p>Laminate pad(4pcs)</p>
<p>J</p>  <p>$\varnothing 8 \times 30 \text{mm}$</p>	<p>K</p> 	
<p>Wood dowel(30pcs)</p>	<p>Round head screw(4pcs)</p>	

STEP: 1

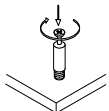
A




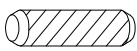
40PCS

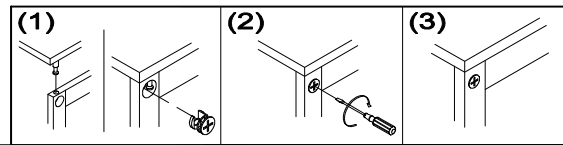
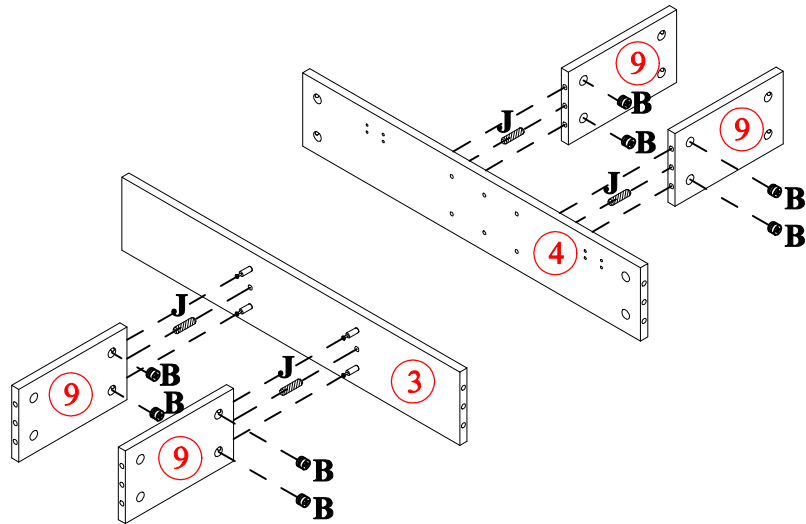


Do Not Over Tighten


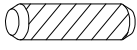


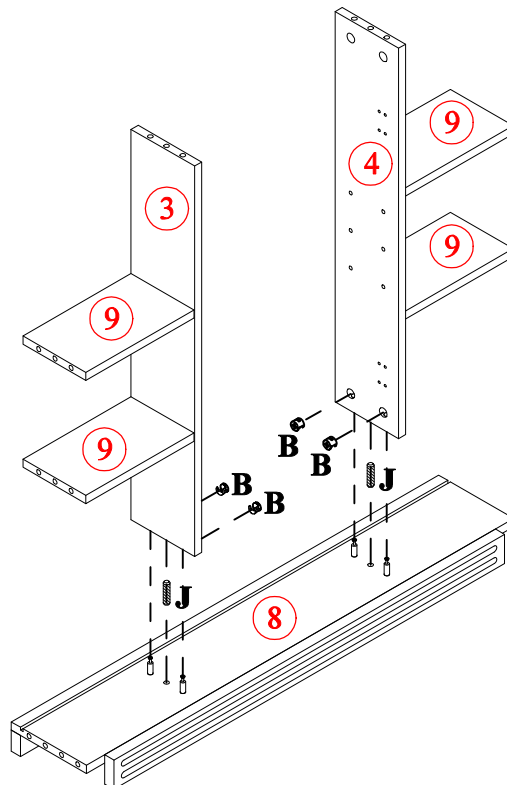
STEP: 2

B		J	
8PCS		4PC	


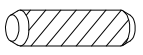


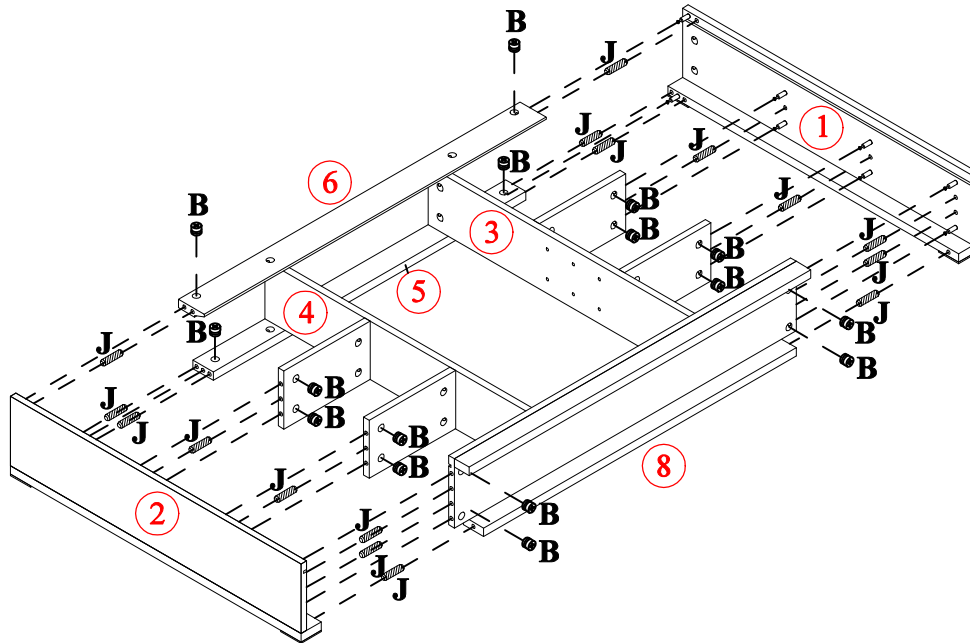
STEP: 3

B		J	
4PCS		2PC	

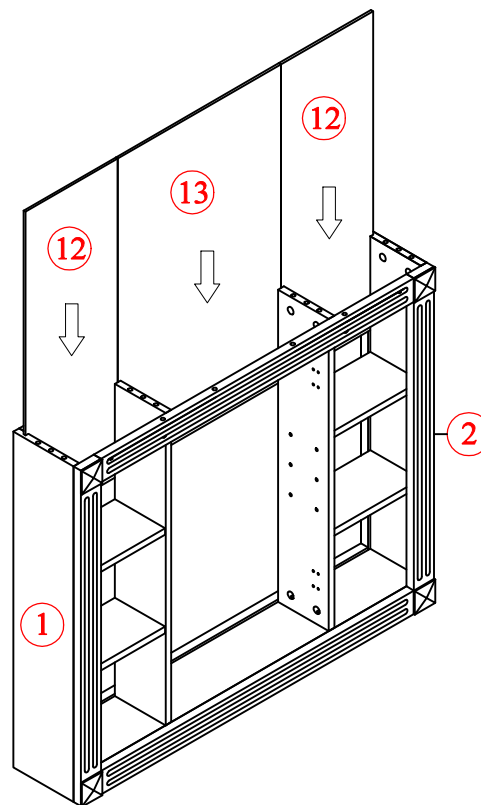


STEP: 4




B		J	
16PCS		16PC	

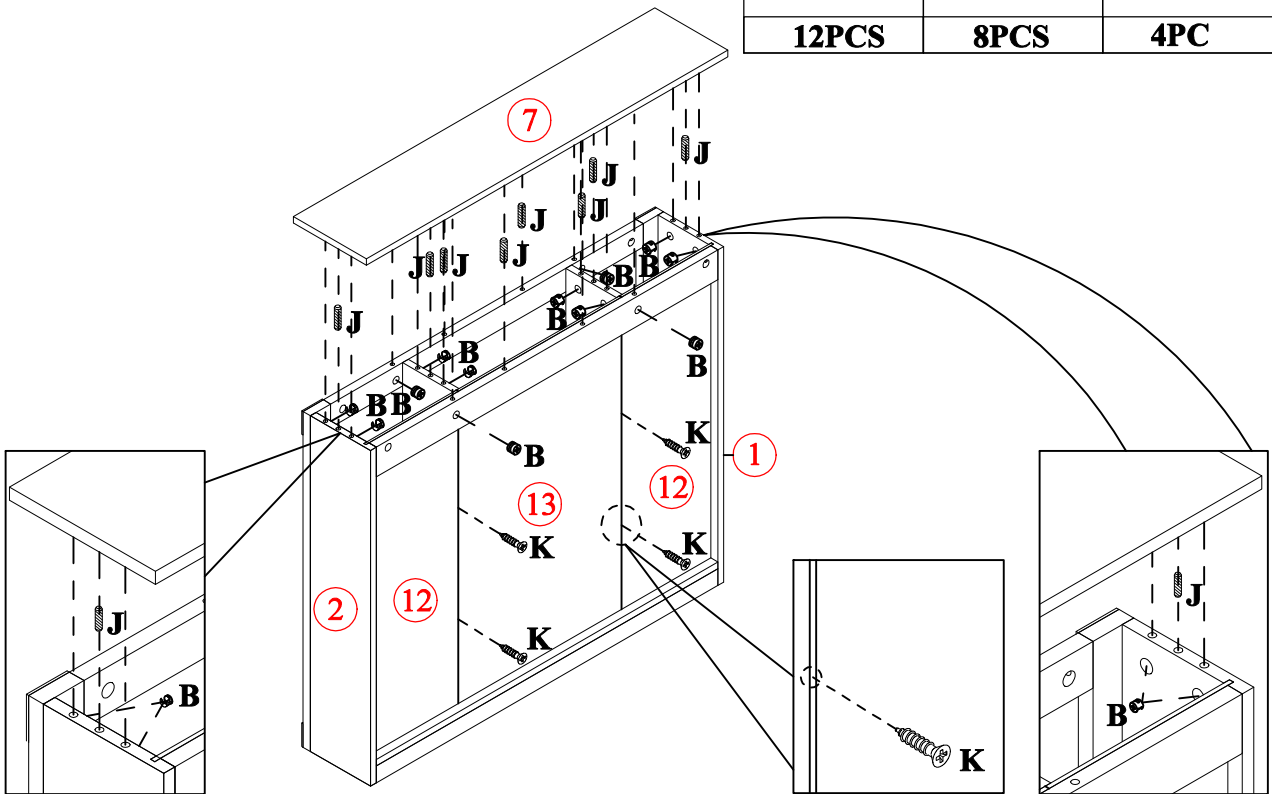


STEP: 5


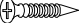


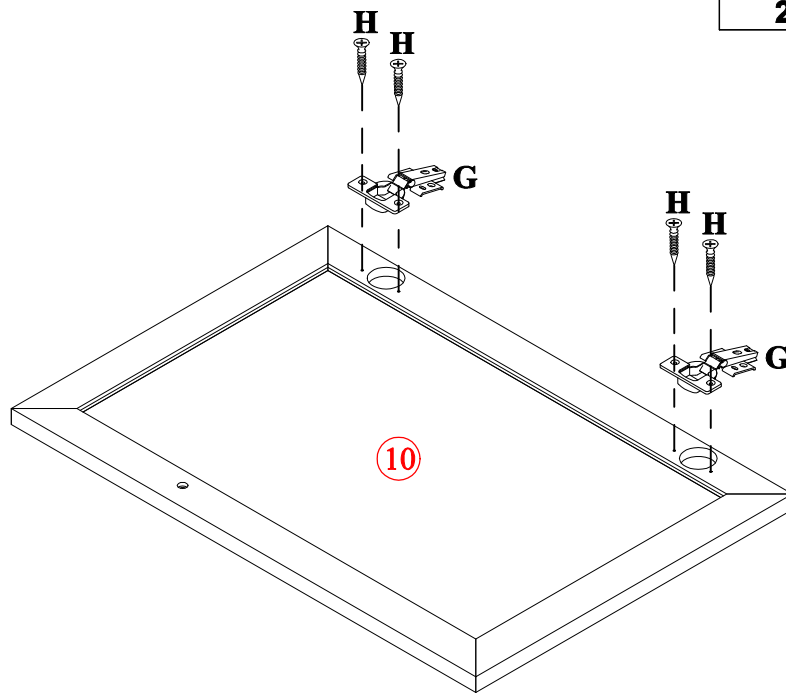
STEP: 6

B	J	K
		
12PCS	8PCS	4PC


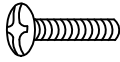



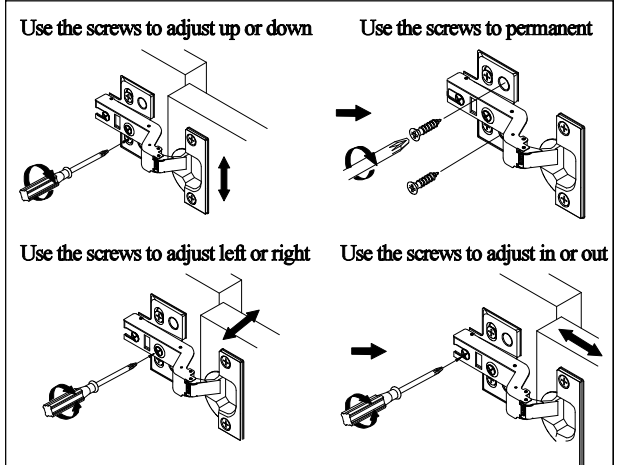
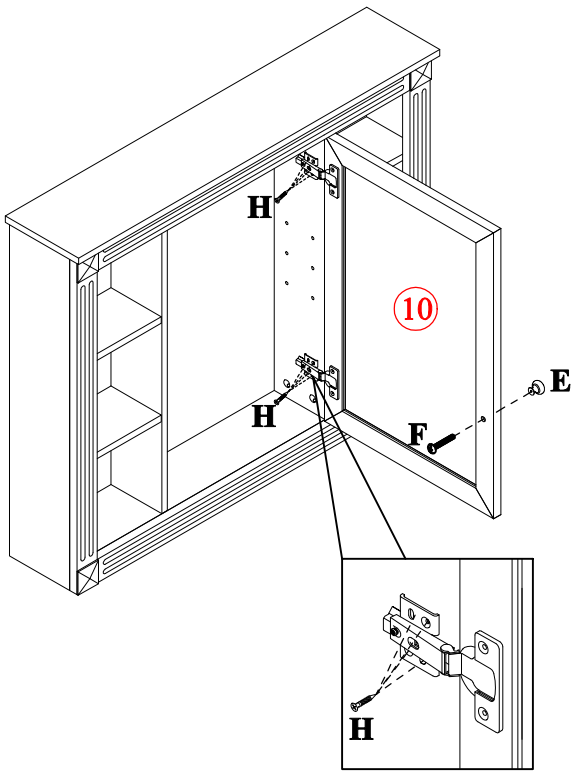
STEP: 7

G	H
	
2PCS	4PCS

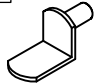


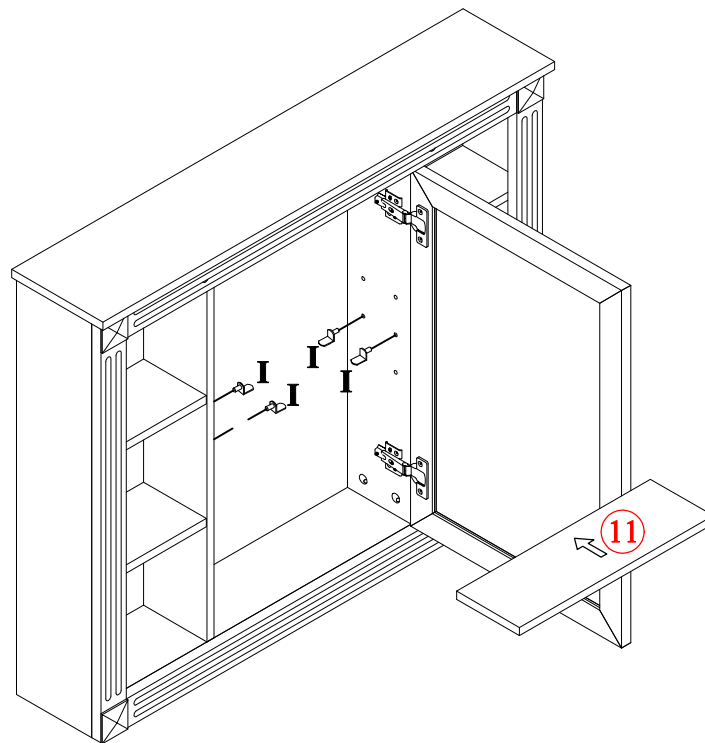
STEP: 8

E	F	H
		
1PC	1PC	8PCS





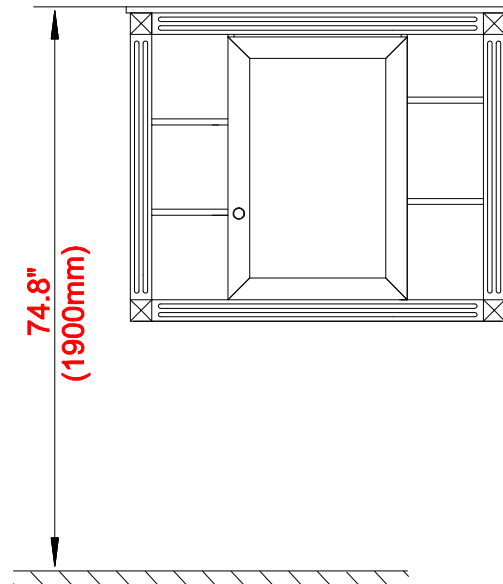
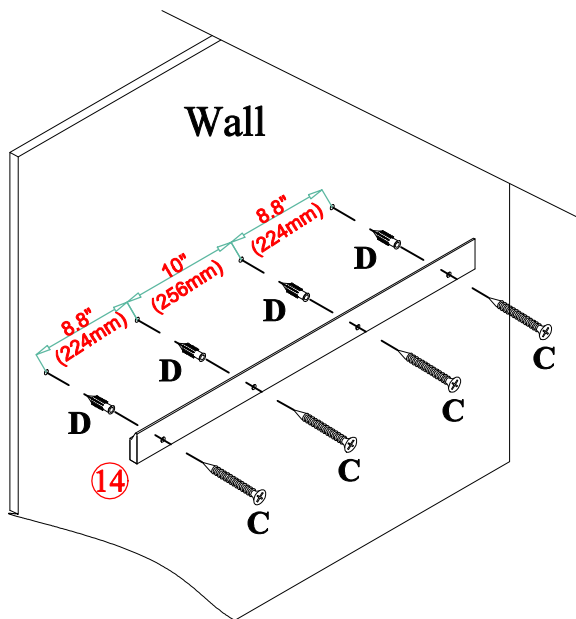
STEP: 9

I

4PCS



STEP: 10

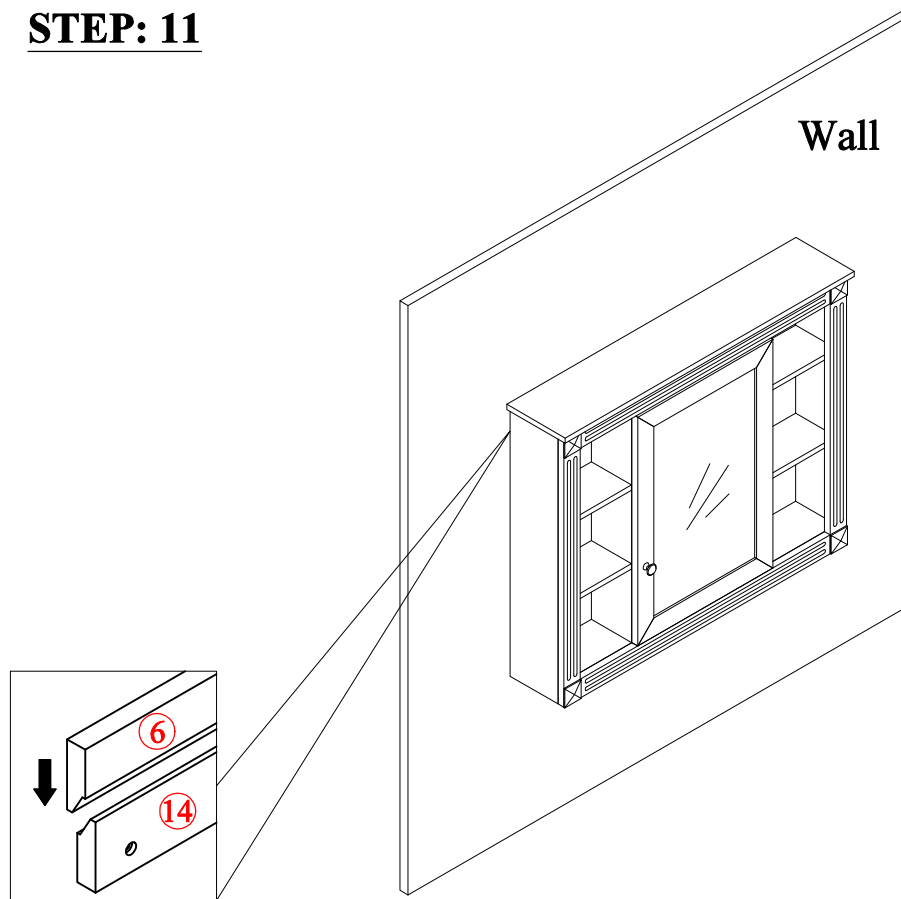
C	D
	
4PCS	4PCS



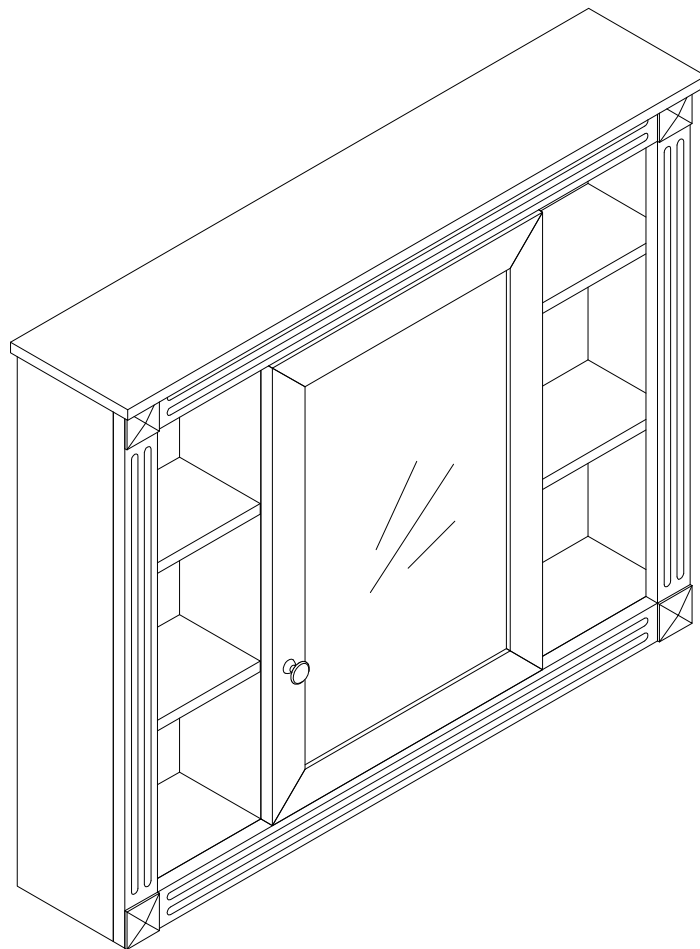
Draw the spacing between the walls and the No.14, punch holes in the wall, and fix the No.14 to the wall with screws.

Note: Appropriate distance from the top of mirror to the ground is 74.8".

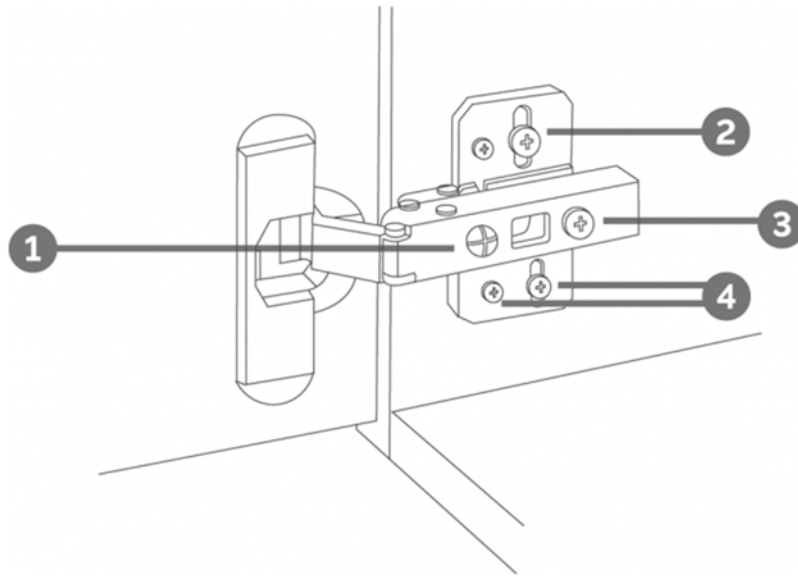
STEP: 11



STEP: 12

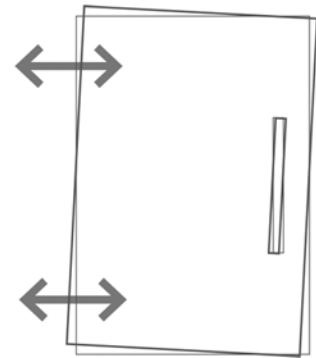


HINGE ADJUSTMENTS



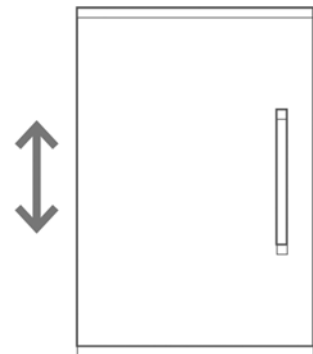
1 Sideways / Tilt adjustment

Turn the screw
clockwise to move the door further away from
the side of the cabinet
anticlockwise to move the door closer to the
side of the cabinet



2 4 Height adjustment

While supporting the weight of the door, turn the
screws
clockwise to move the door up
anticlockwise to move the door down



3 Forward and back adjustment

If the gap between the back of the door and the
cabinet is too small, and the door may not close
fully. Turn the screw
clockwise to decrease the gap between the
door and the cabinet
anticlockwise to increase the gap between the
door and the cabinet

