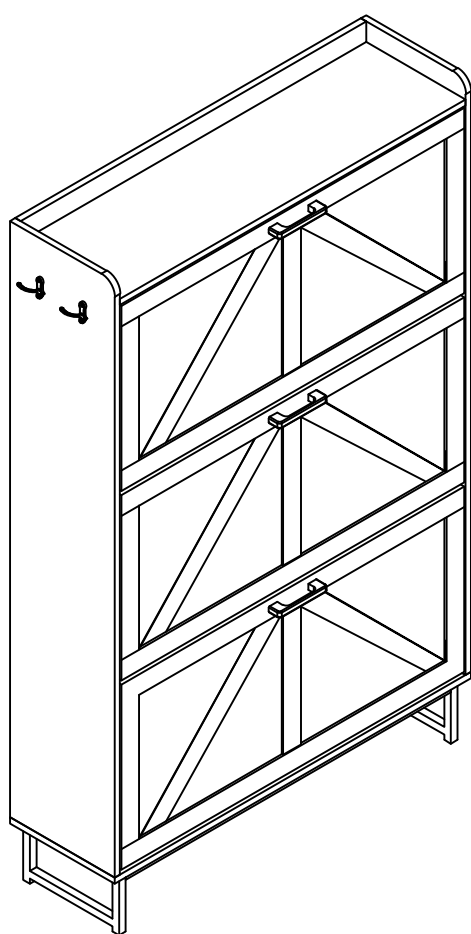


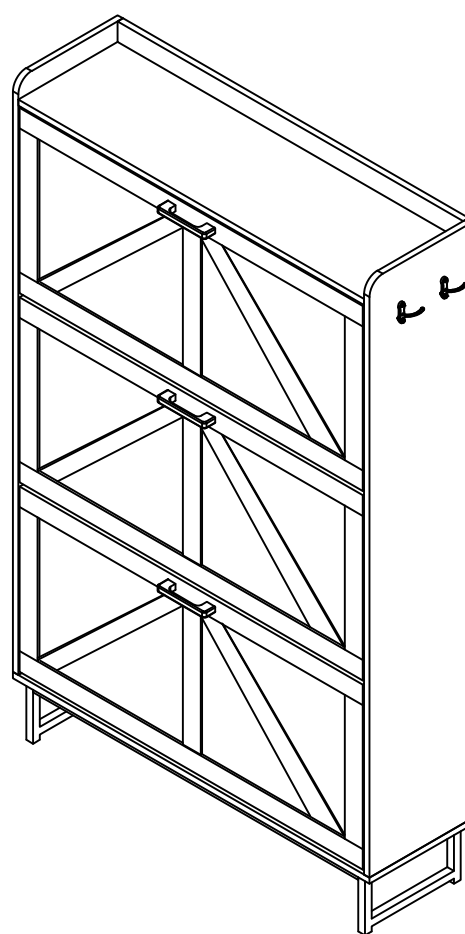
Installation & Assembly

Version:1.0

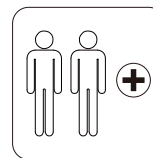
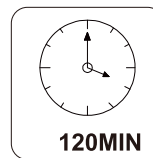
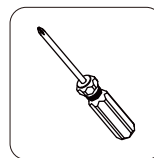
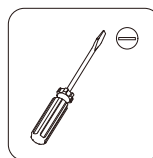
Scheme 1



Scheme 2



OR



EN_IMPORTANT, RETAIN FOR FUTURE REFERENCE: READ CAREFULLY.

Thank You for Purchase!

We truly appreciate your purchase and trust in our products.

Need help with your furniture? We're here to assist!

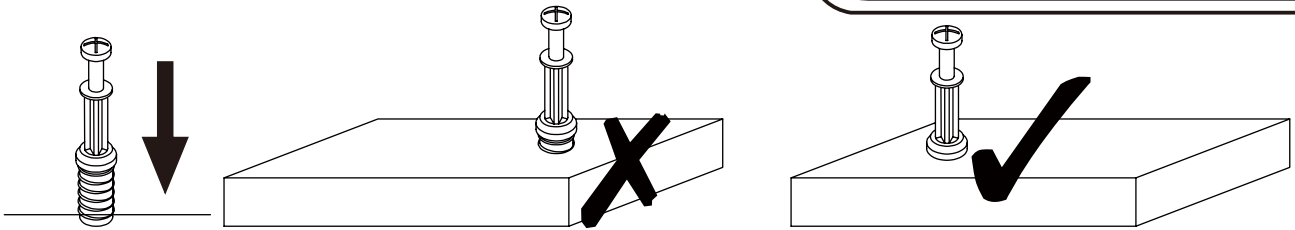
Dear Customer:

If you have received any damaged or missing parts, or encountered any issues during assembly, we are more than happy to offer FREE replacement parts. No matter what caused the issue—whether it happened during shipping or assembly—we can send you the parts you need at no additional cost.

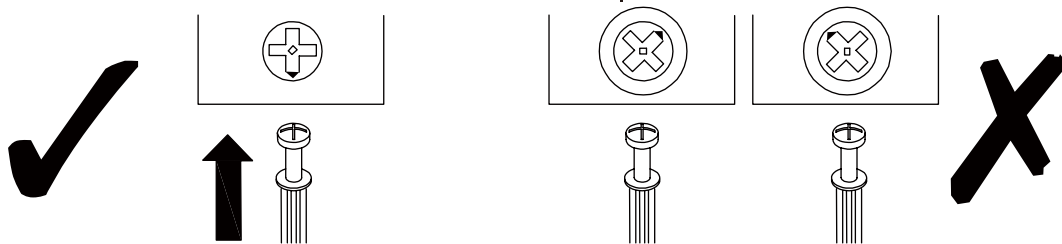
Free Replacement Parts Available!

Whether due to shipping, assembly, or any other reason, we provide free replacement parts for any damaged or missing components.

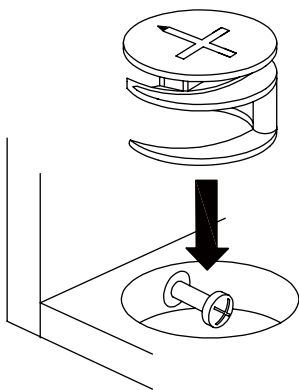
USING CAM LOCK AND QUICKFIT



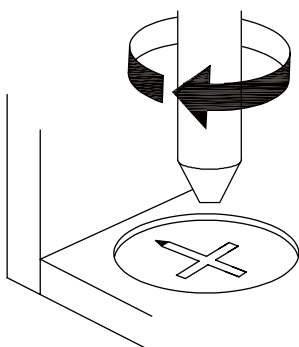
EN_QUICKFIT: Tighten quickfit until shoulder is flush with panel. Do not overtighten or undertighten.



EN_CAM LOCK: When fitting cam lock, ensure starting position is correct before you insert connecting quickfit.

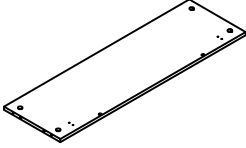
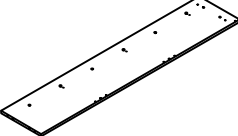
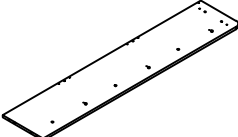
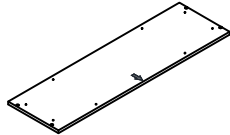
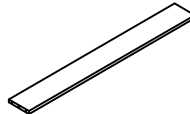

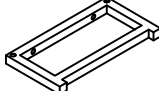

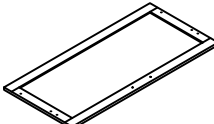
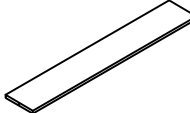


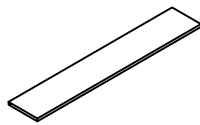

EN_Quickfit head should be in the centre of the cam lock when the two panels are joined.
Cam lock should be inserted before quickfit.

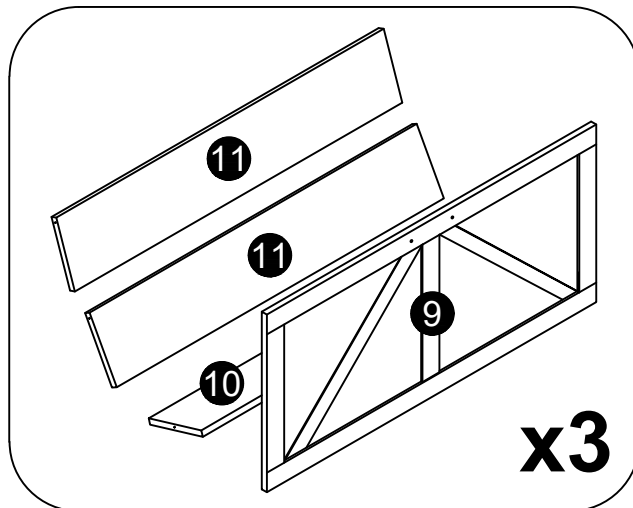
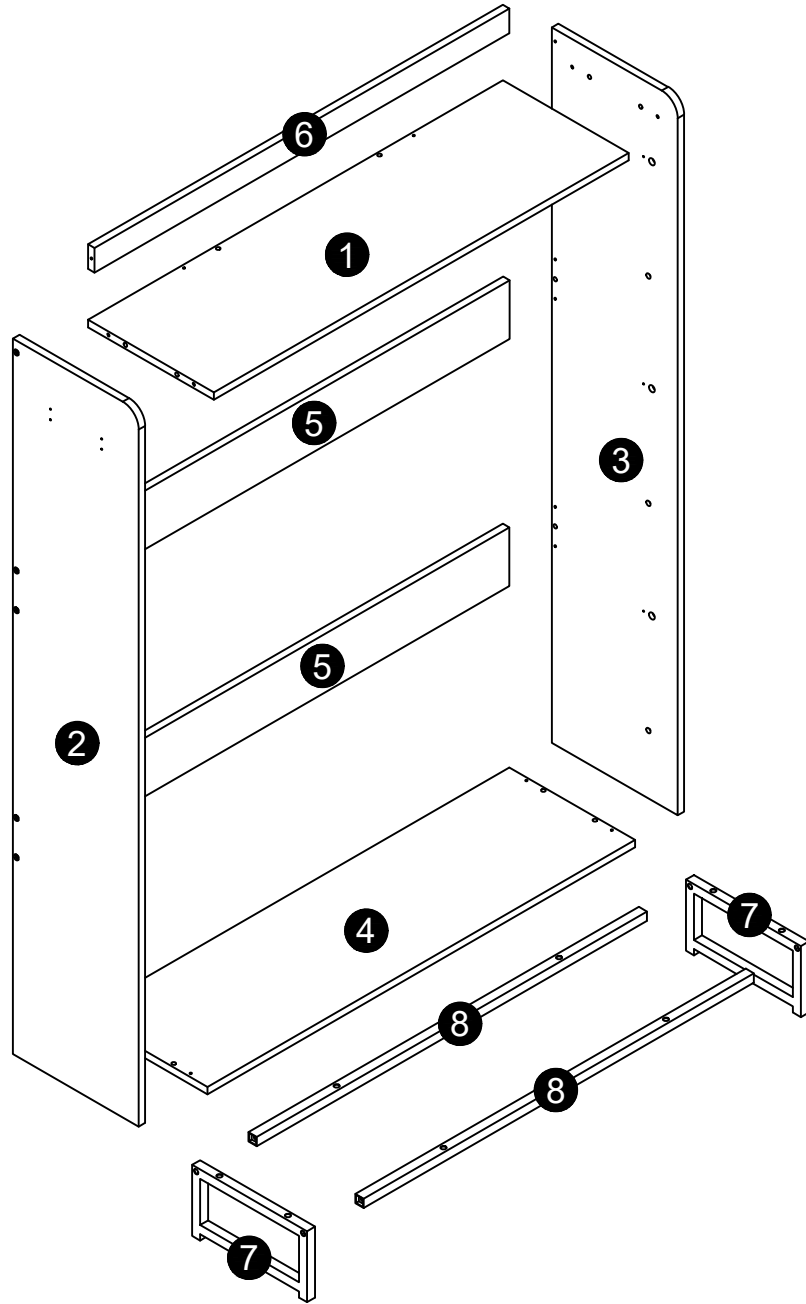


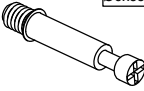

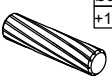
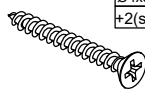




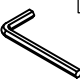









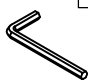

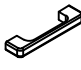


EN_Turn cam lock clockwise to tighten.



PACKING DELALS

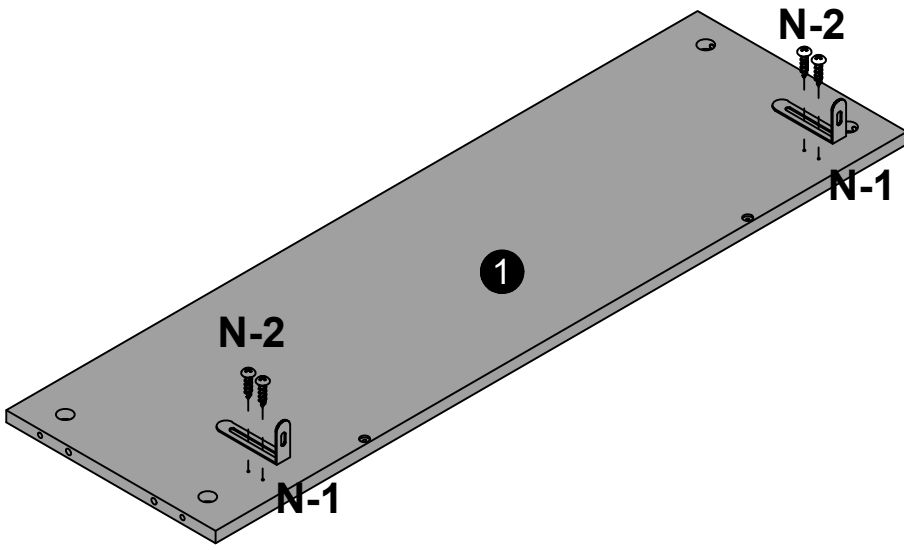
NO.	PARTS	QTY	SPARE
①		x1	
②		x1	
③		x1	
④		x1	
⑤		x2	
⑥		x1	
⑦		x2	
⑧		x2	
⑨		x3	
⑩		x3	

NO.		QTY	SPARE
⑪		x6	
	 Hardware Kit	x1	



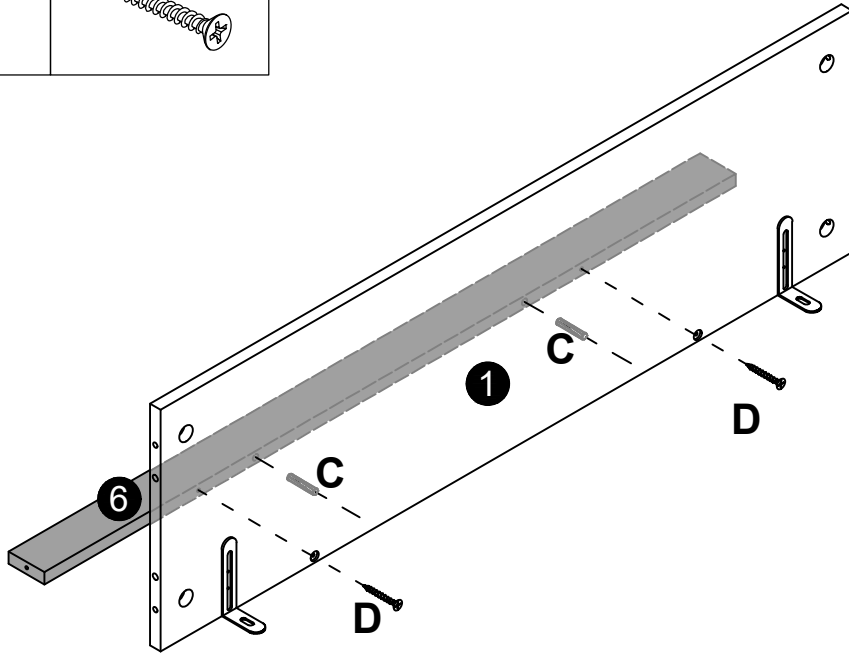
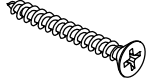
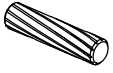
<p>A x4 Ø6x35mm</p> 	<p>B x4 Ø15x10mm</p> 	<p>C x14 Ø6x30mm +1(spare)</p> 	<p>D x18 Ø4x35mm +2(spare)</p> 	<p>E x36 Ø3.5x12mm +3(spare)</p> 	<p>F x6</p> 
<p>G x6</p> 	<p>H x6</p> 	<p>I x1 M5</p> 	<p>J x14 +1(spare)</p> 	<p>K x2 Ø6x30mm</p> 	<p>L x3</p> 
<p>M x2 M-1 M-2</p>  	<p>N x2 Ø4x12mm N-1 N-2</p>  	<p>O x4 Ø6x35mm</p> 	<p>P x8 Ø6x25mm</p> 	<p>Q x1 M4</p> 	<p>R x3</p> 
<p>S x3 Ø4x16mm S-1 S-2</p>  	<p>T x6 Ø4x10mm</p> 				

<p>N x2</p>   <p>N-1 N-2</p>



C x2

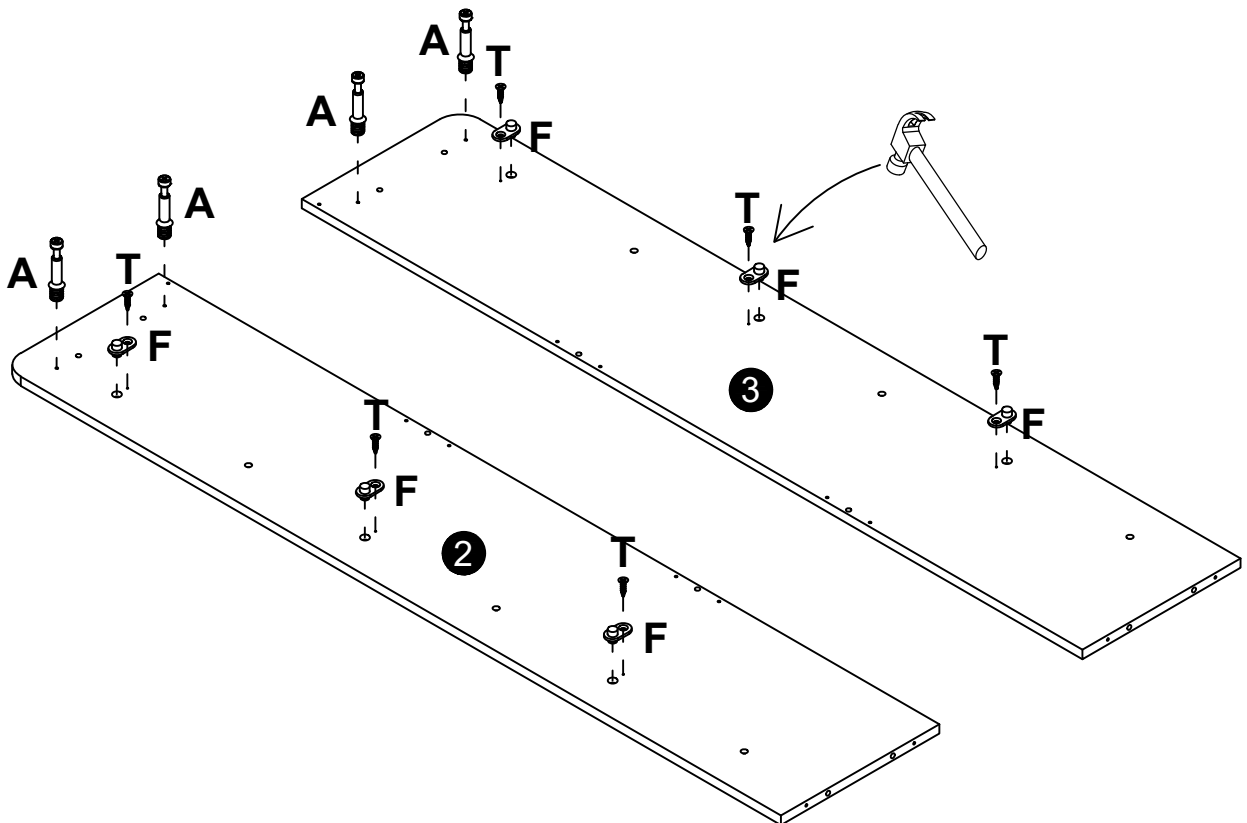
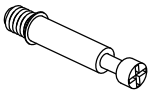
D x2



A x4

F x6

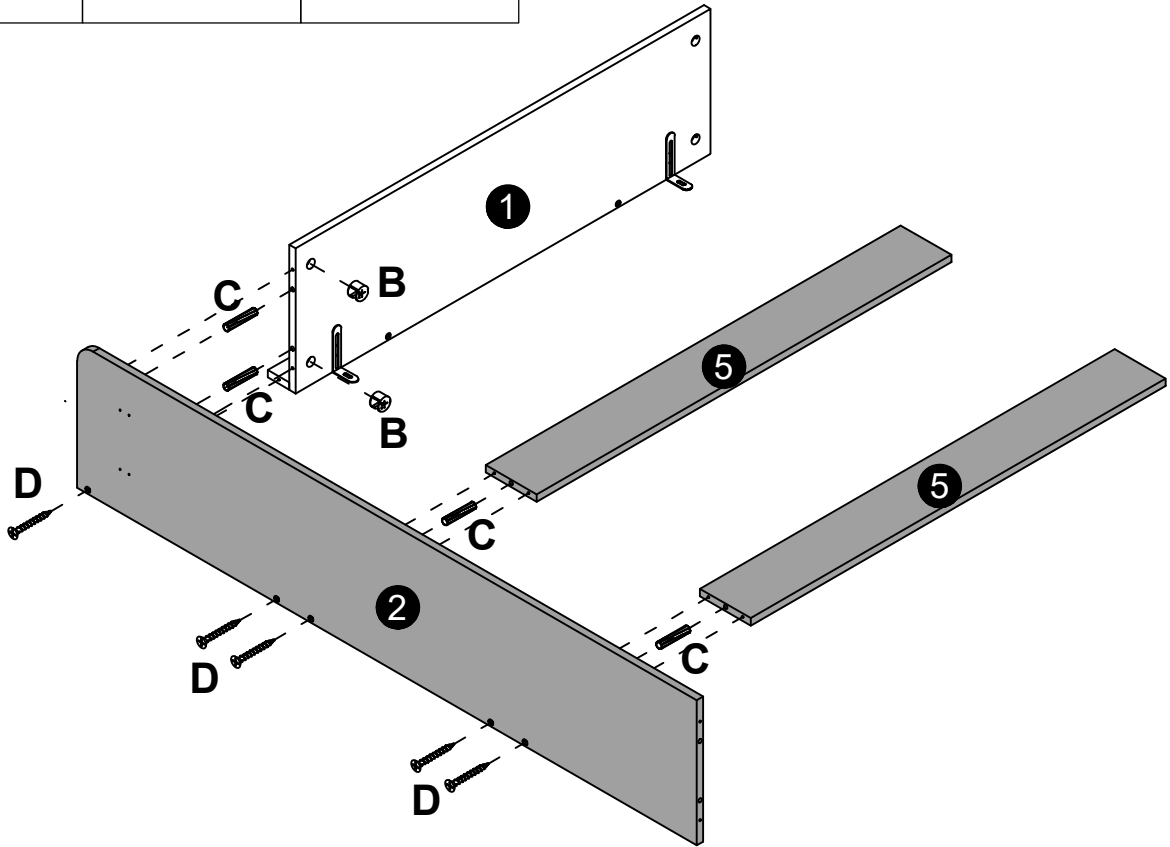
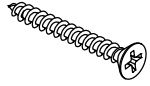
T x6



B x2

C x4

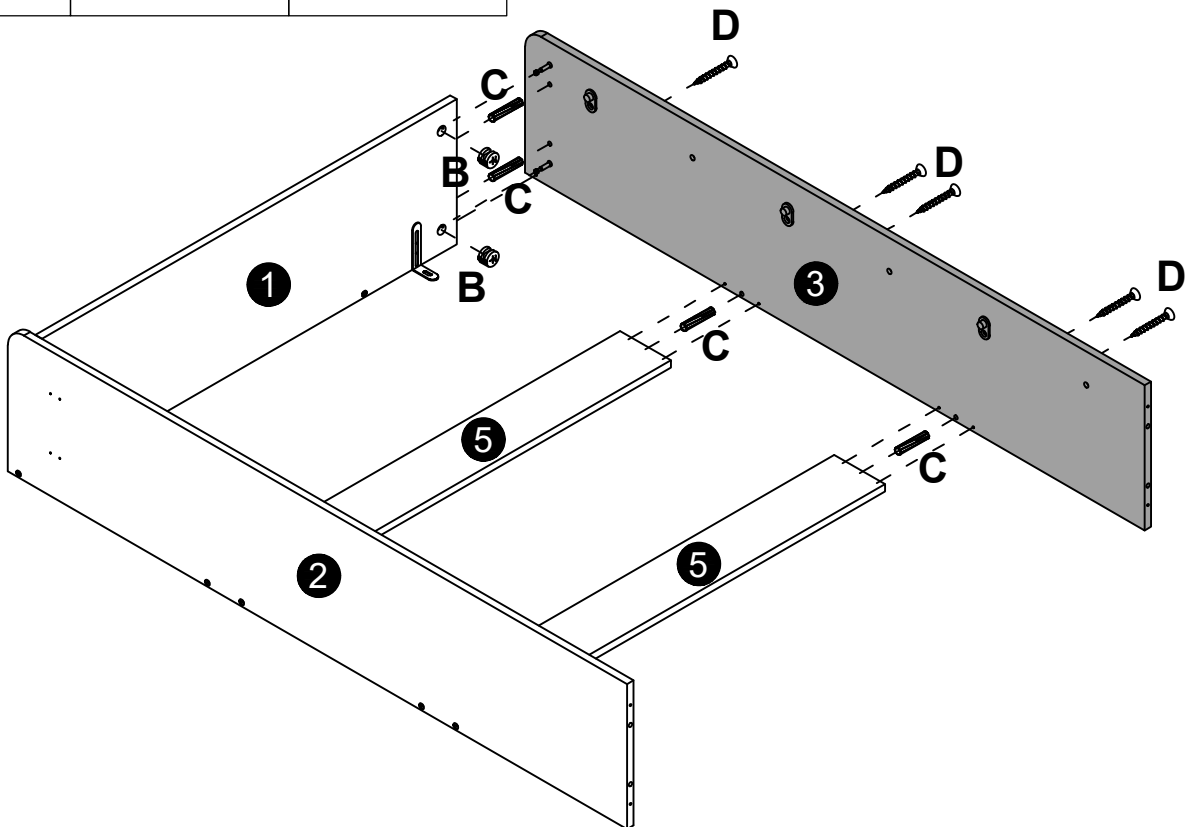
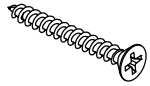
D x5



B x2

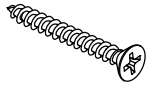
C x4

D x5

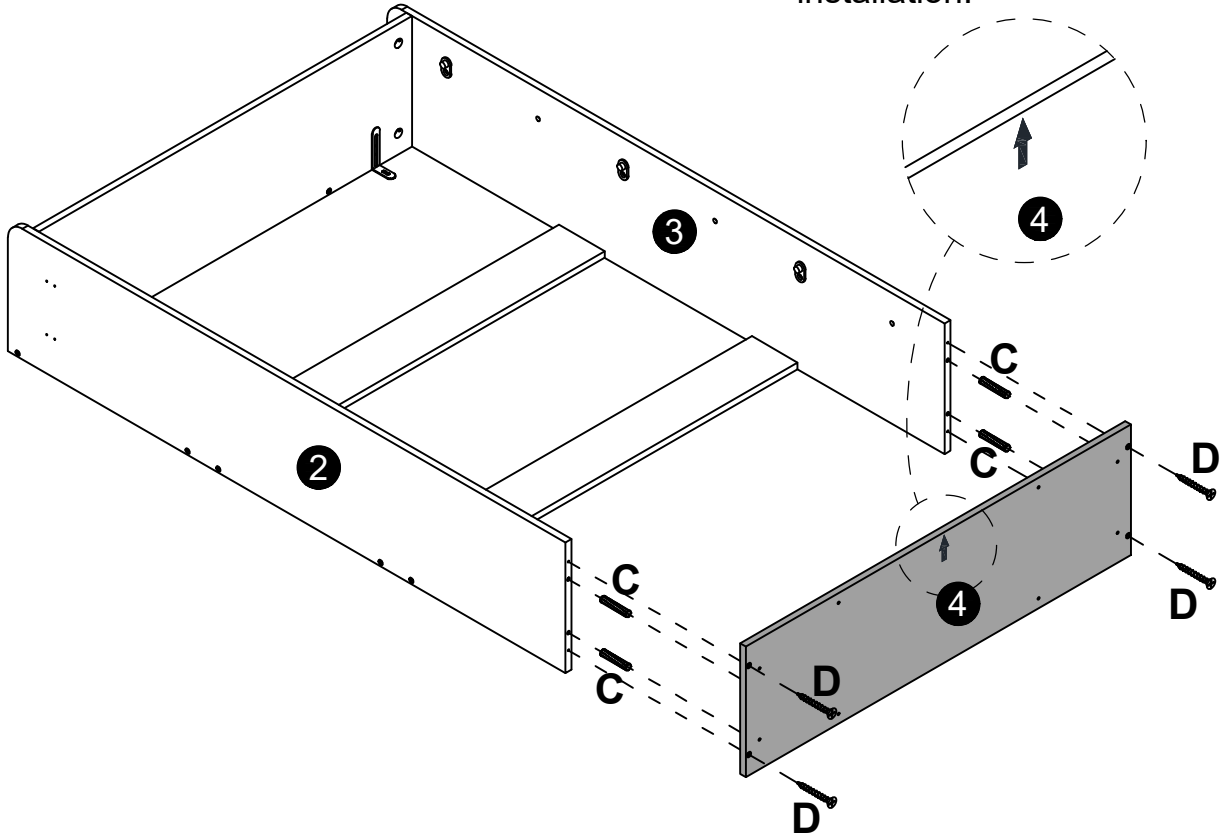


C x4

D x4

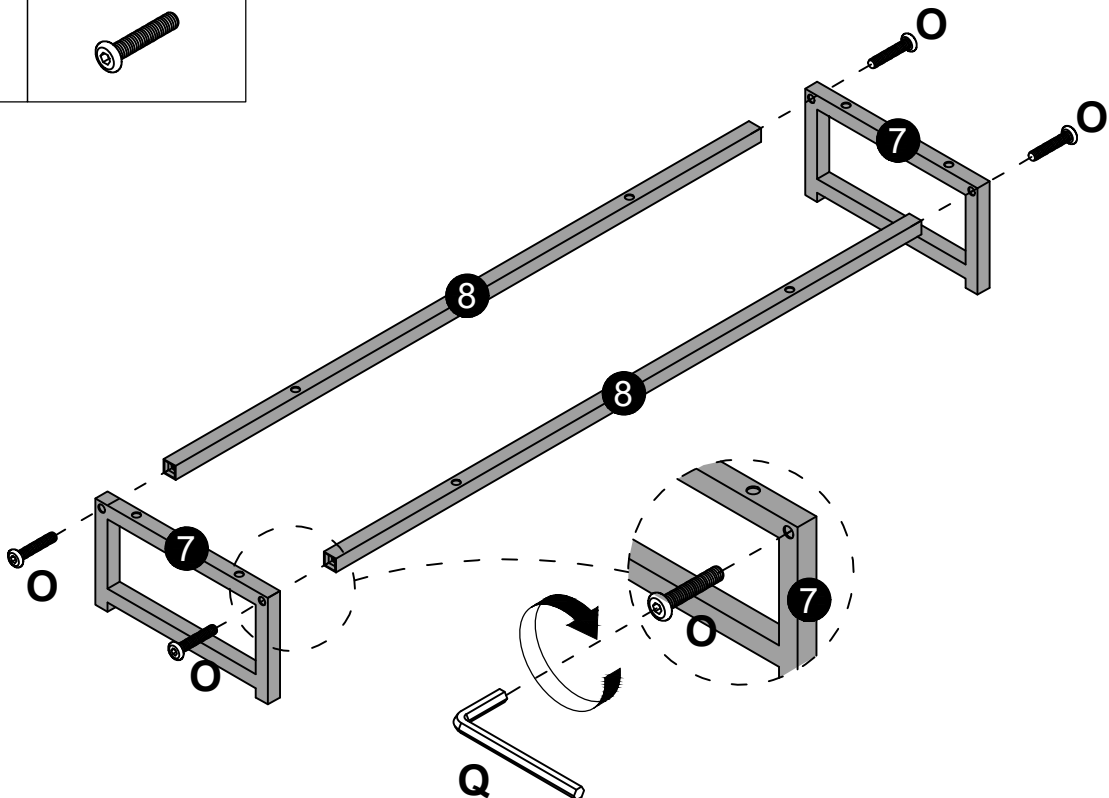


Please pay attention to the direction of the arrow before installation.



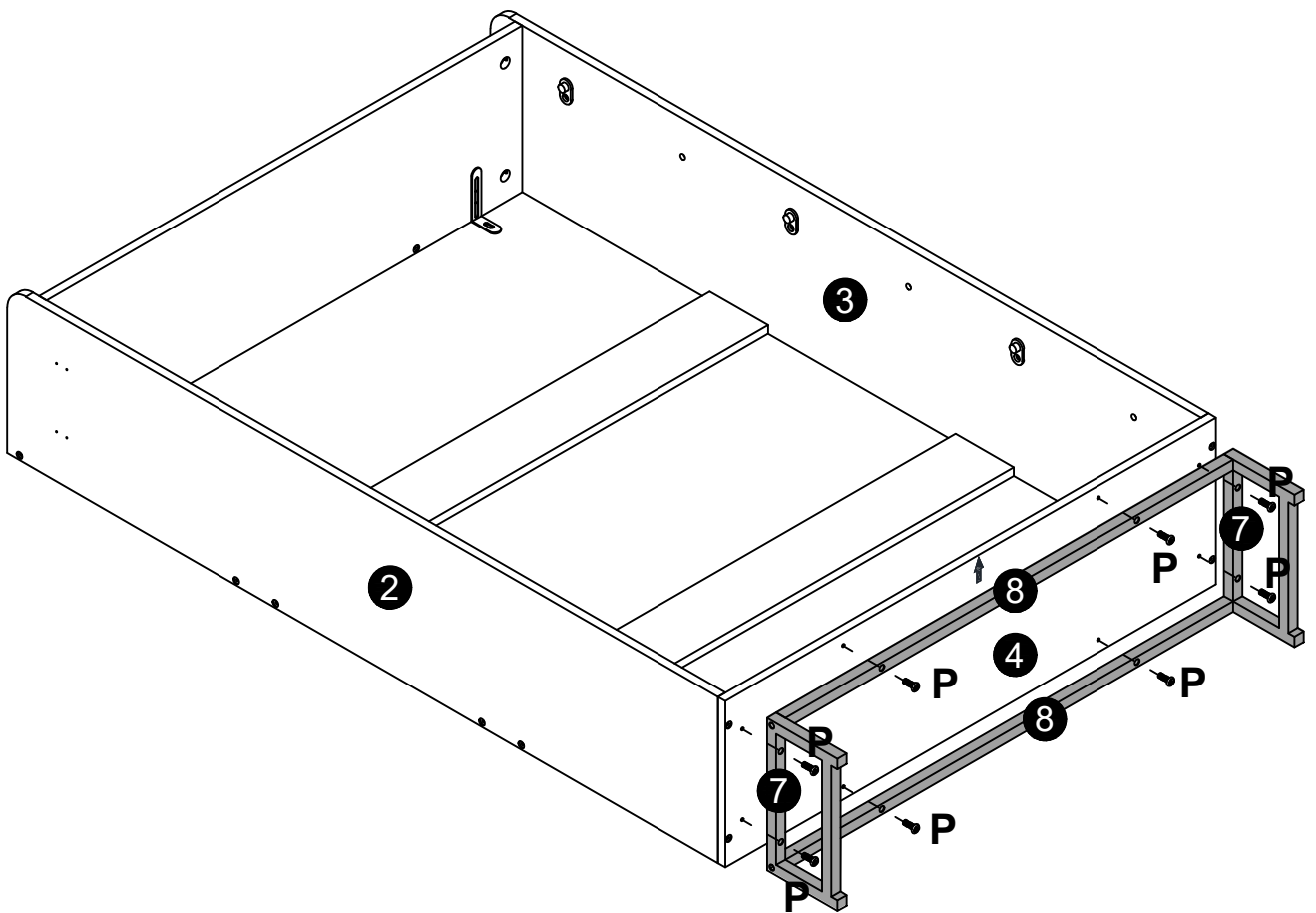
Q x1

O x4



P x8

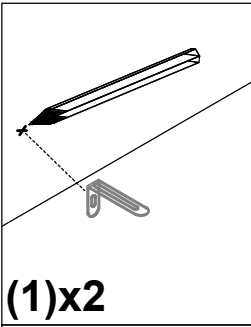
08



D x2

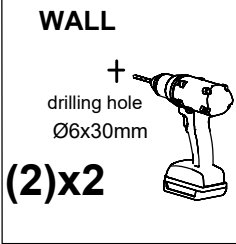


K x2

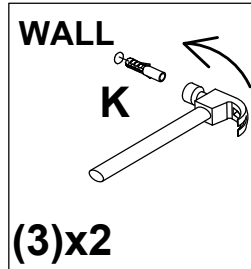


First fix the anti-rewind screw in the reserved hole of the product.

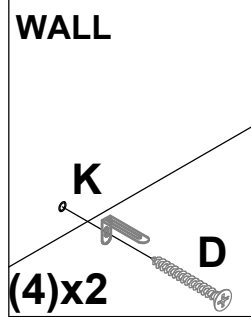
(1)x2



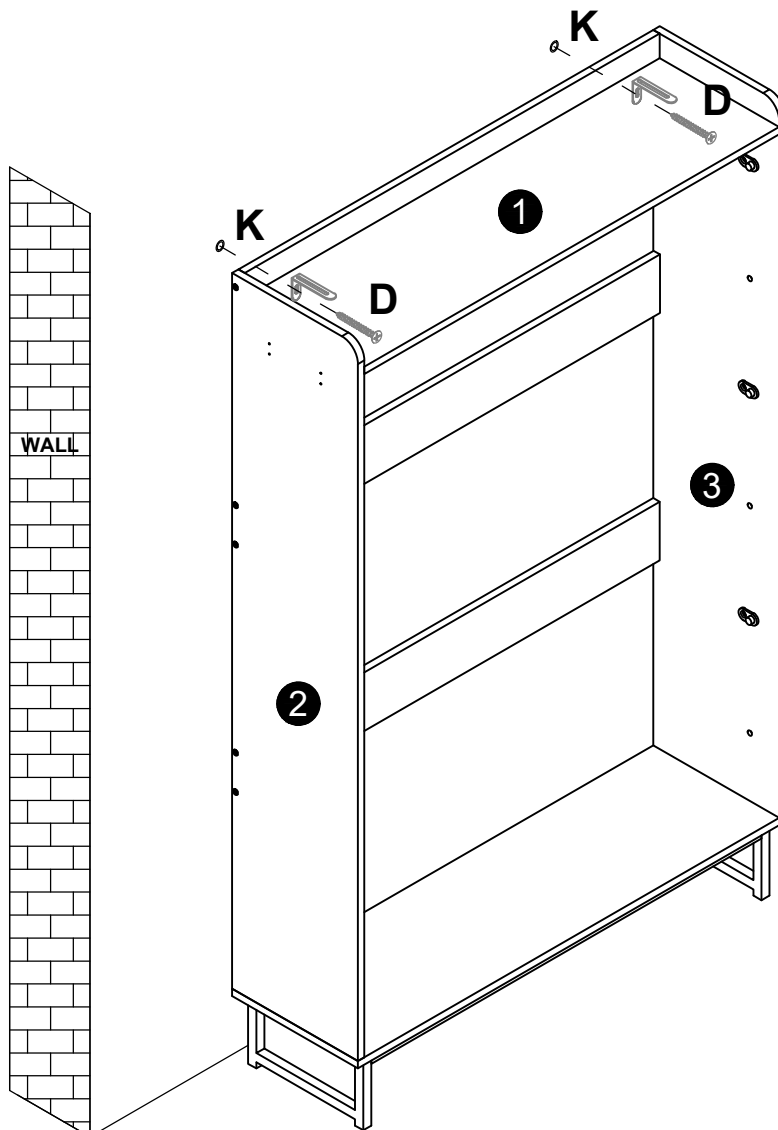
Then use a tape drill to make holes in the wall that are suitable for the product screws.



Then, put the expansion bolt into the hole



Finally, pass the matching screws through the "anti-rewind" and tighten them to fix them on the wall.



E x30

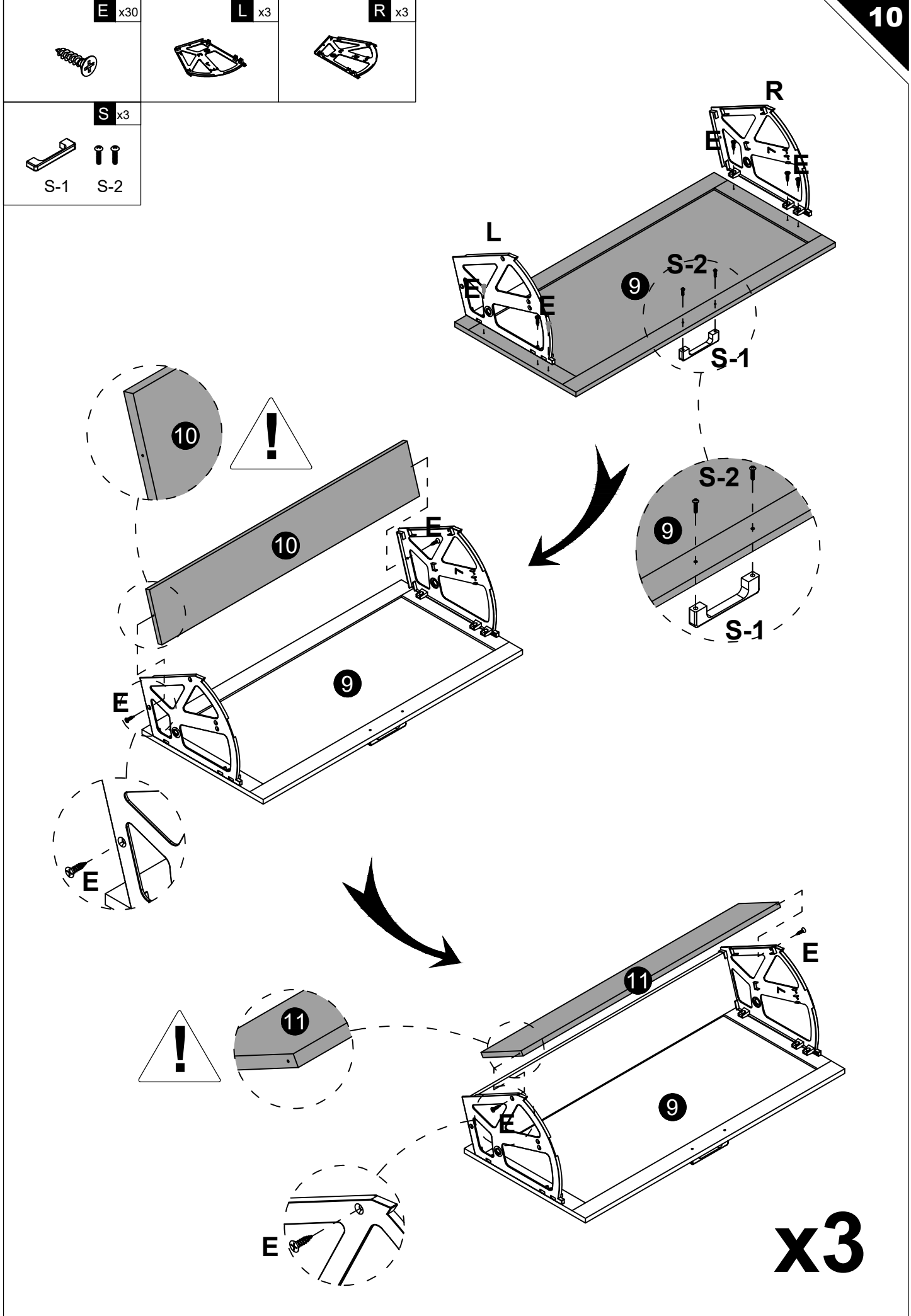
L x3

R x3

S x3

S-1

S-2

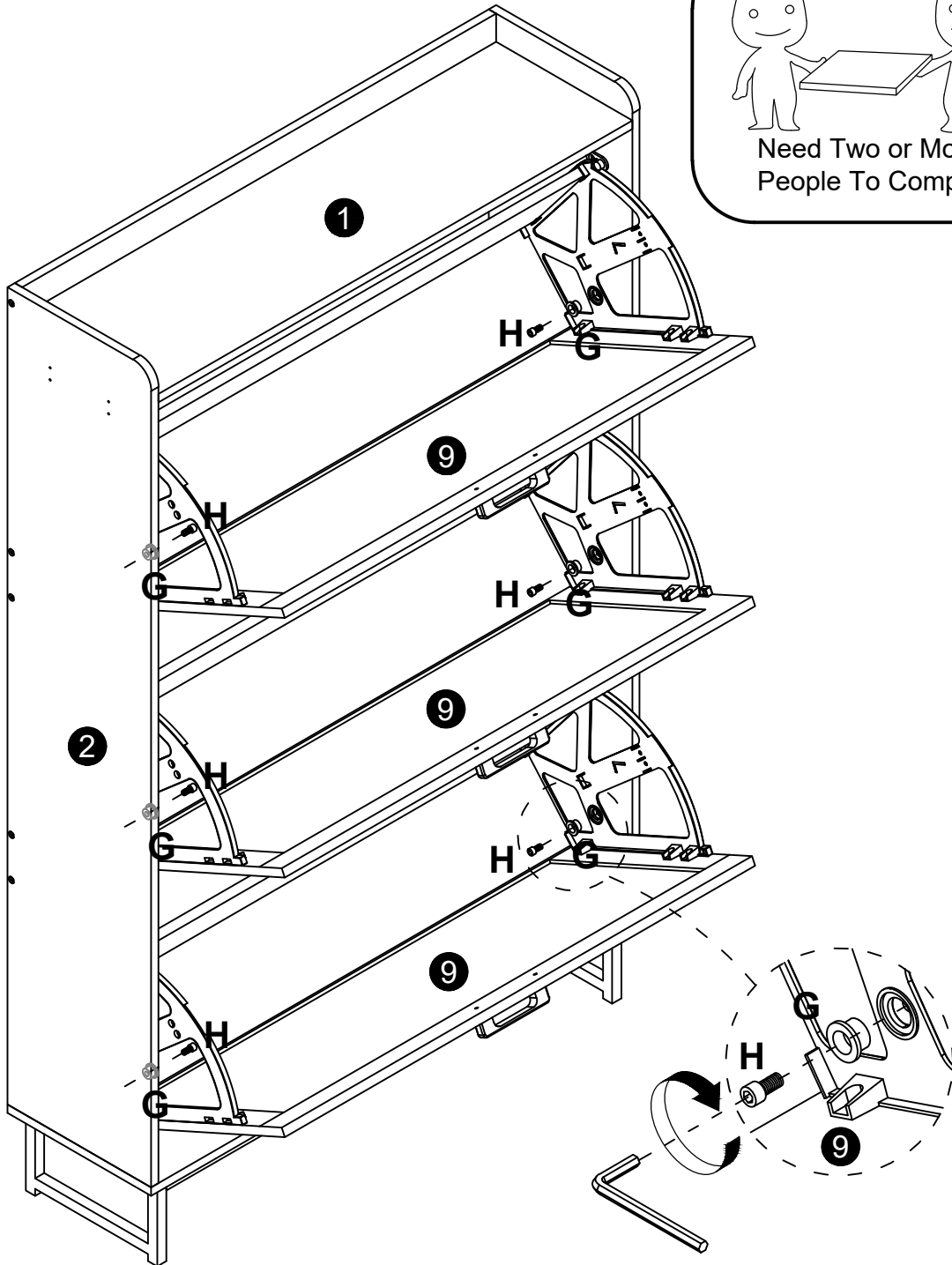
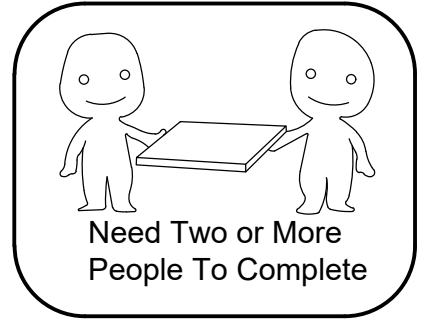


x3

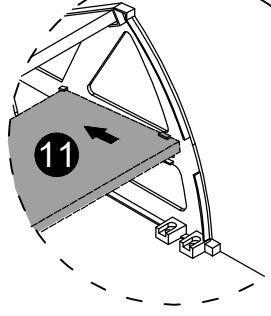
G x6

H x6

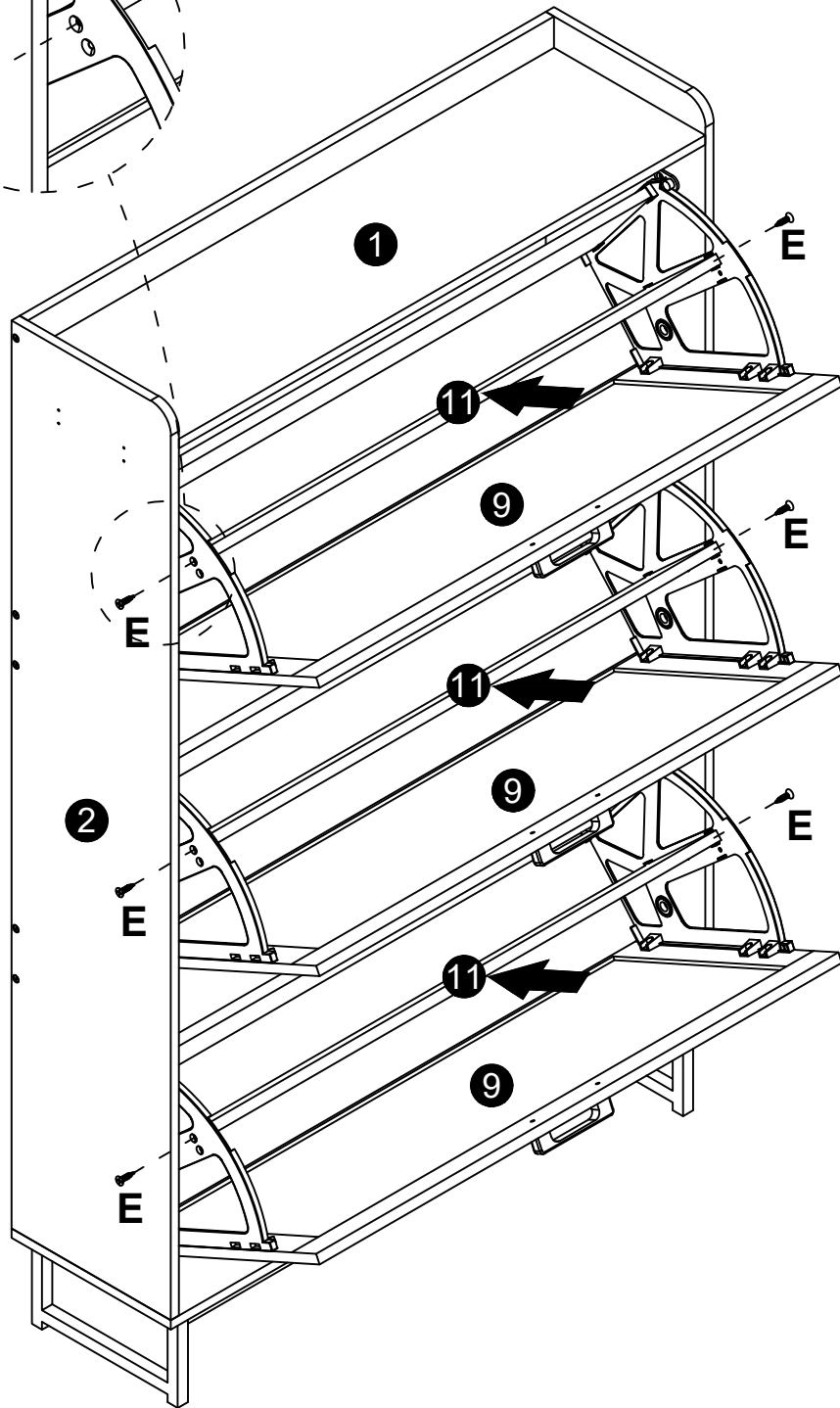
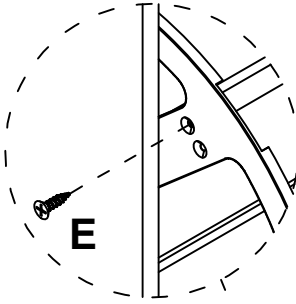
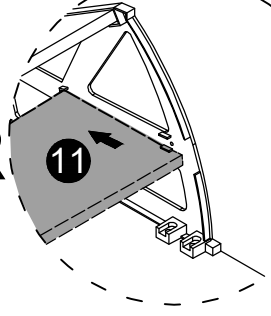
I x1



When installing H, it is sufficient to reach 90% progress. Installing 100% may cause damage to G.



OR



J x14



M x2

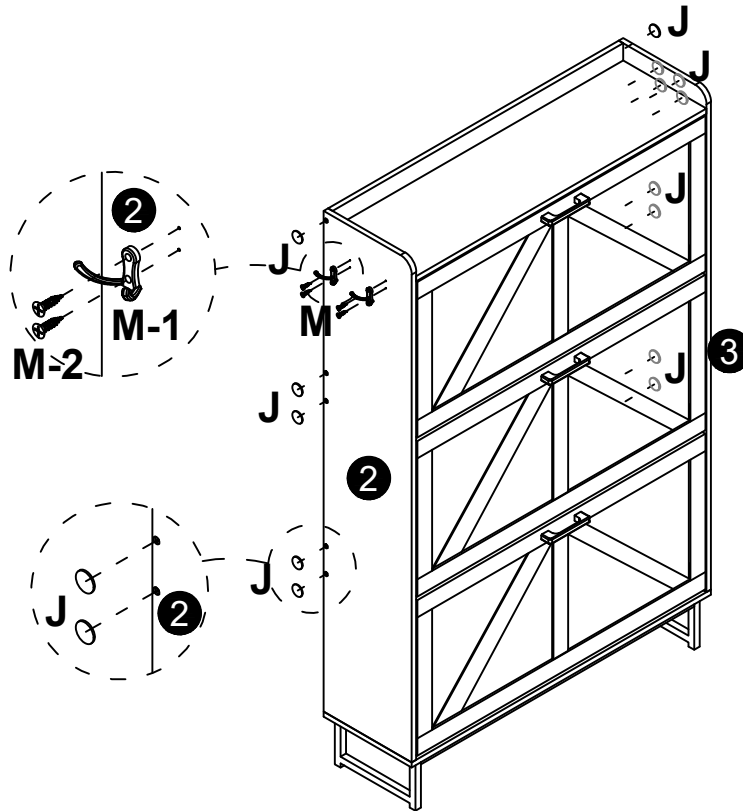


M-1

M-2

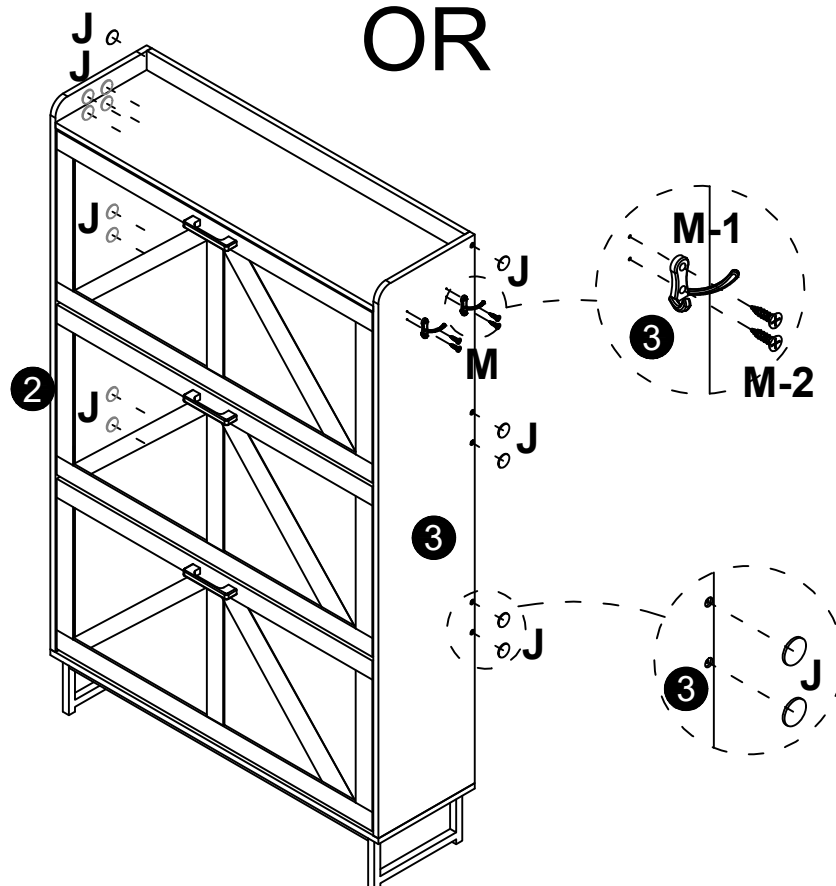
Please install the hook "M" according to your actual needs, either on the left Scheme 1 or on the right Scheme 2, and choose one of the options for installation, as shown .

Scheme 1

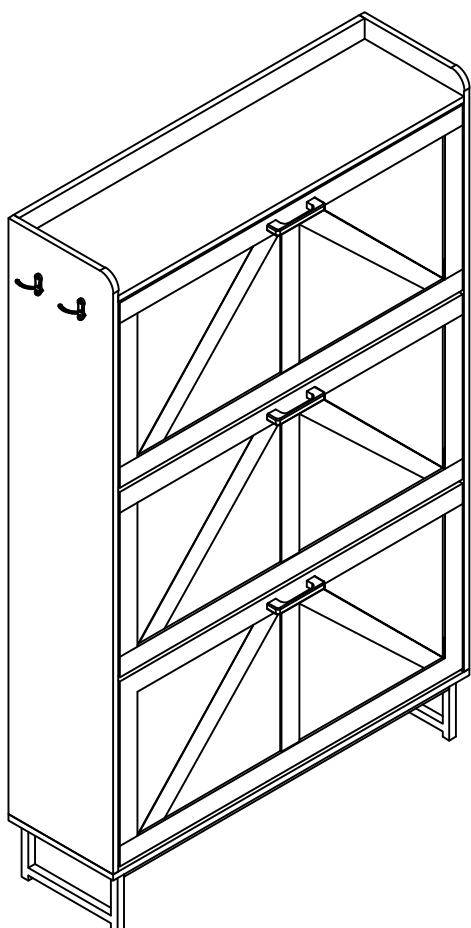


OR

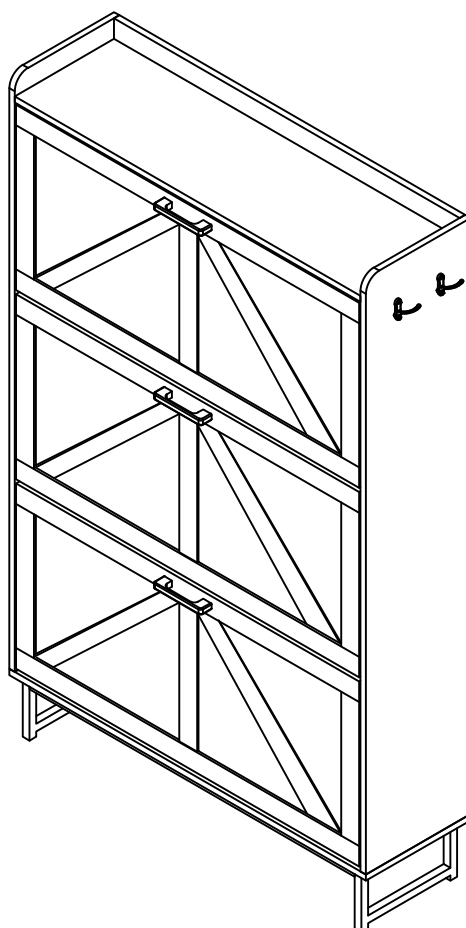
Scheme 2



Scheme 1



Scheme 2



OR