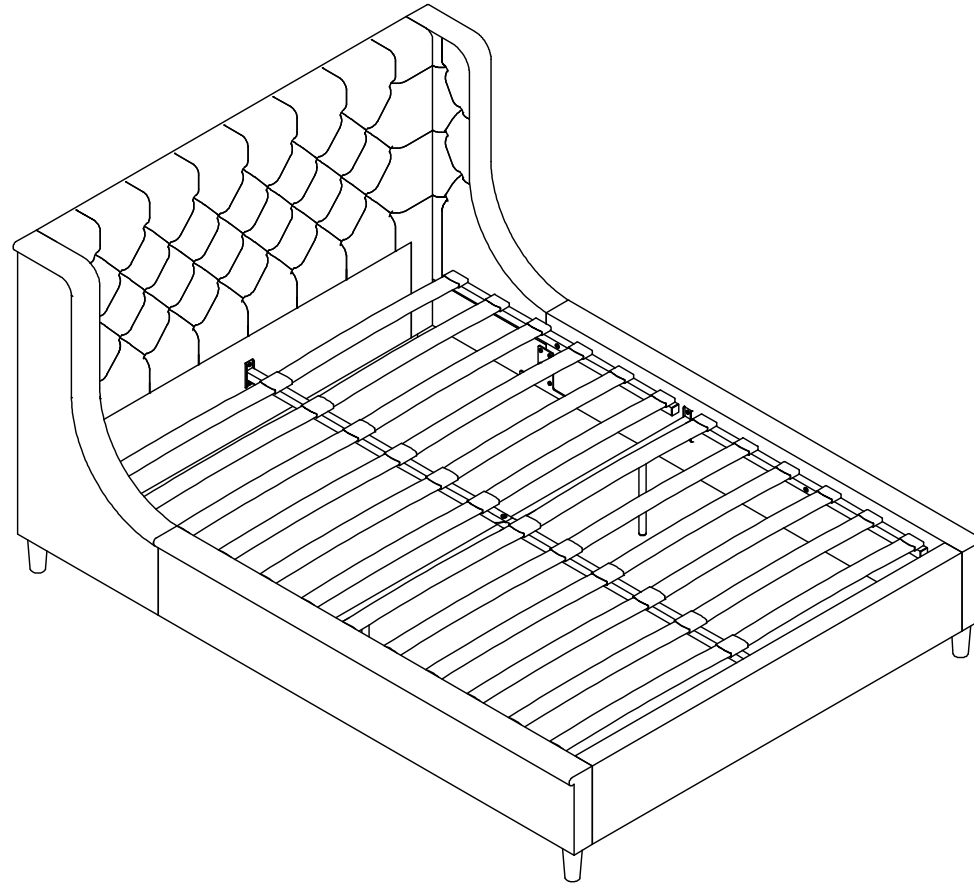


Upholstered Bed

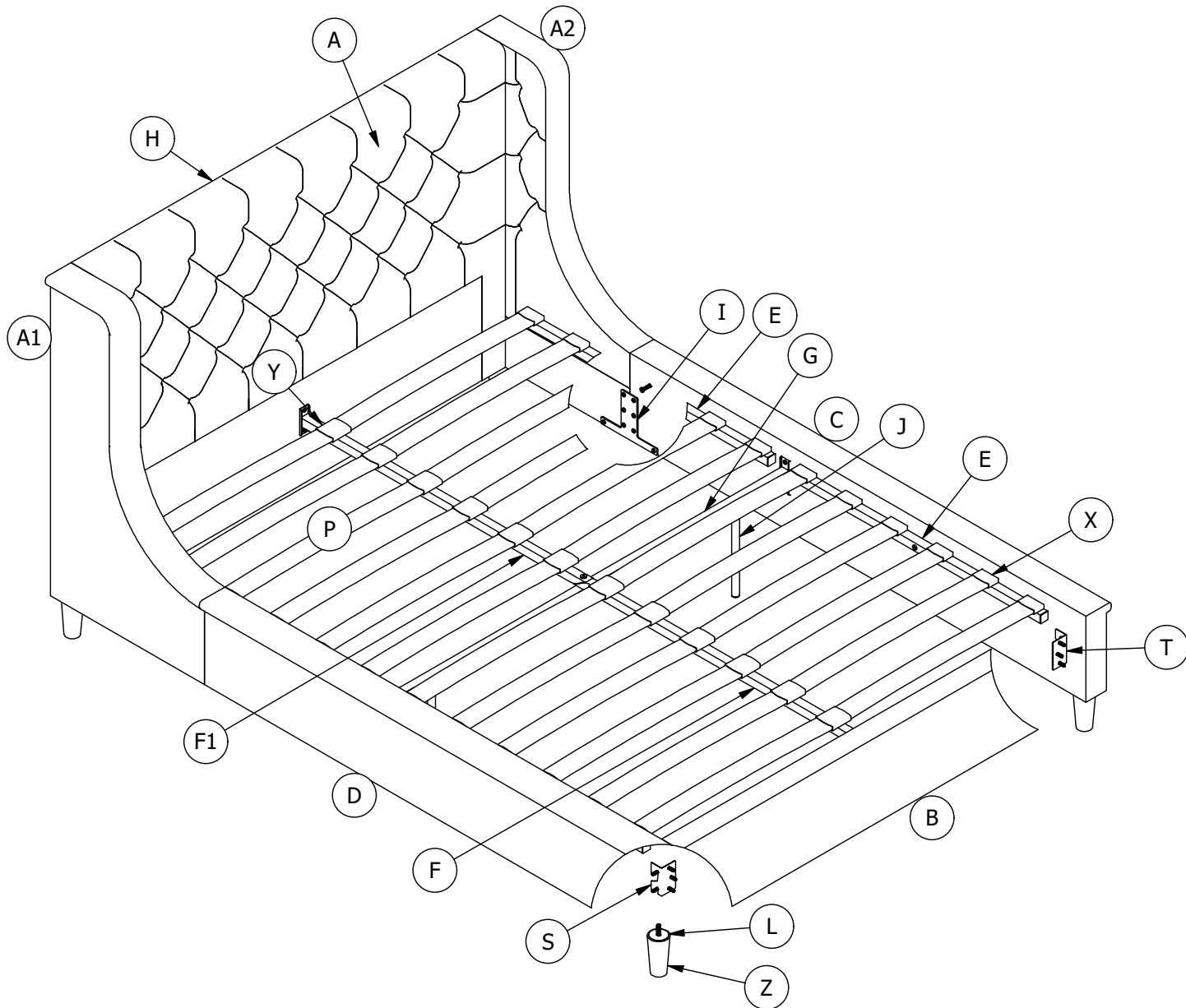
Full

Weight Limit:
Bed: 800 LBS / 363 KG

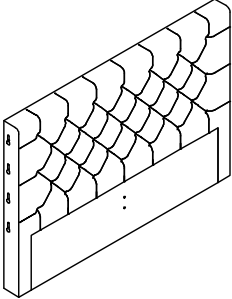
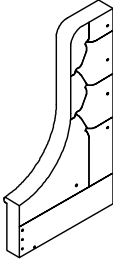
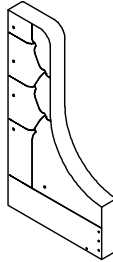
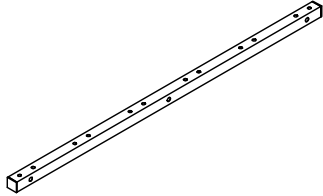
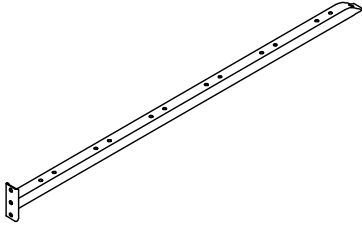
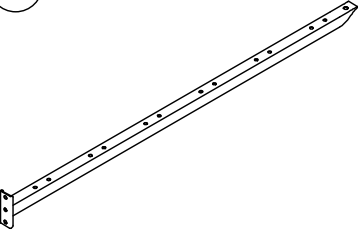
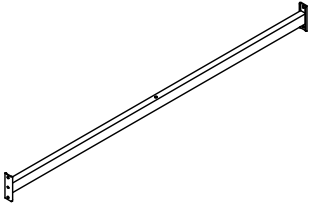
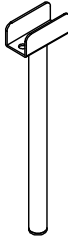
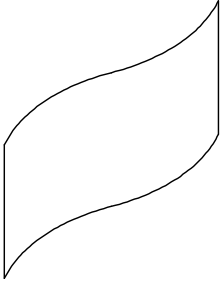
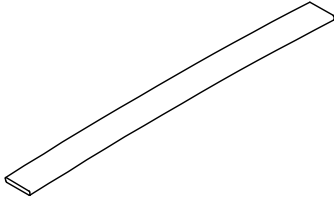


Version: 2025/12/02

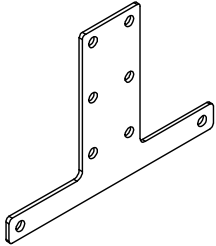
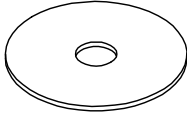
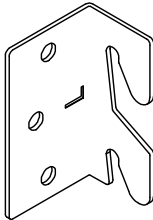
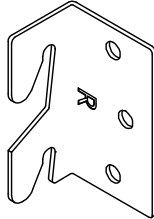
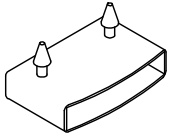
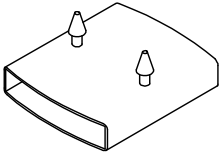
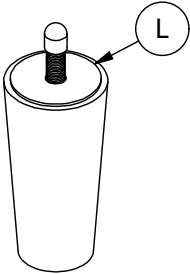
PARTS



PARTS LIST-1/2

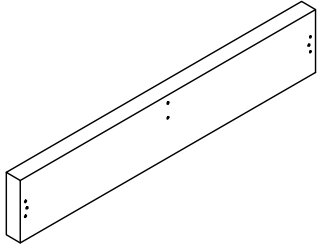
				
<p>Headboard 1 PC</p>	<p>Side board 1 PC</p>	<p>Side board 1 PC</p>	<p>Side Rail 4 PCS</p>	<p>Center Rail 1 PC</p>
				
<p>Center Rail 1 PC</p>	<p>Cross Rail 1 PC</p>	<p>Support Leg 2 PCS</p>	<p>Back fabric Panel 1 PC</p>	<p>Wooden Slat 24 PCS</p>

PARTS LIST-1/2

<p>I</p> 	<p>L</p> 	<p>S</p> 	<p>T</p> 	<p>X</p> 
<p>Bracket 2 PCS</p>	<p>Plastic Washer 4 PCS</p>	<p>Bracket 1 PC</p>	<p>Bracket 1 PC</p>	<p>Single Slat Cap 24 PCS</p>
<p>Y</p> 	<p>Z</p> 			
<p>Double Slat Cap 12 PCS</p>	<p>Leg 4 PCS</p>			

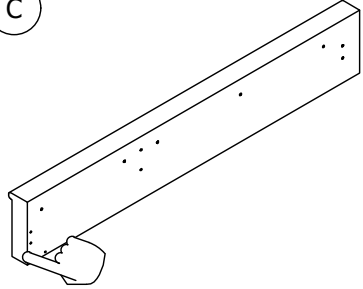
PARTS LIST-2/2

B



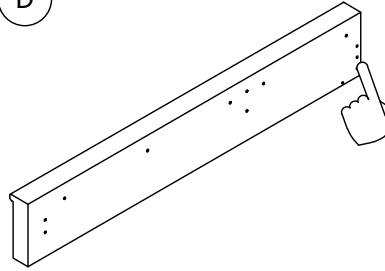
Footboard
1 PC

C



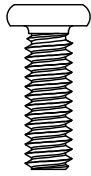
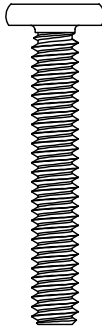
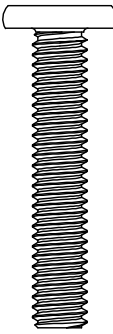
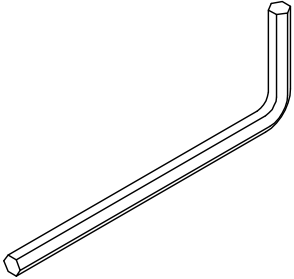
Side Panel
1 PC

D



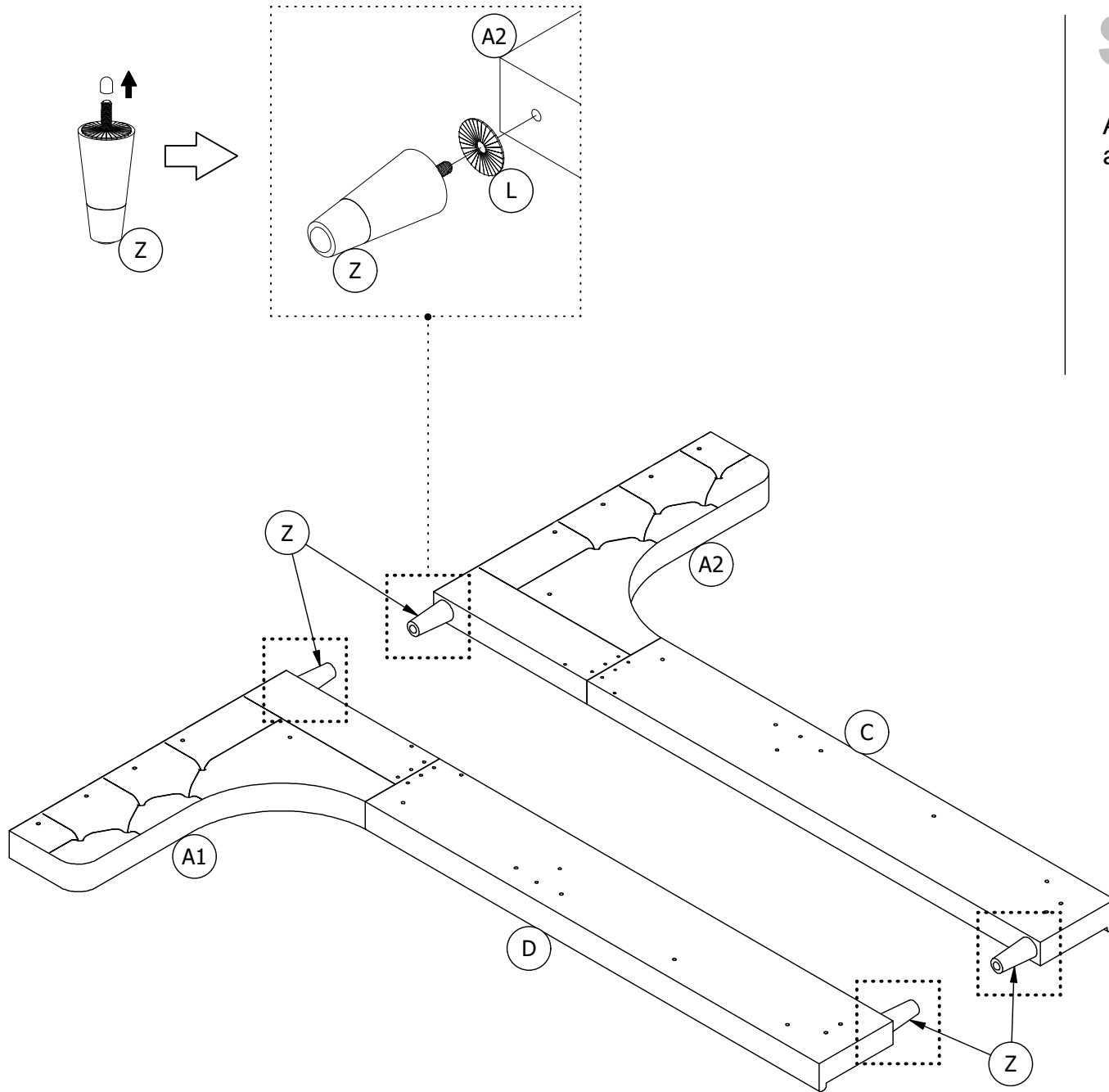
Side Panel
1 PC

HARDWARE LIST

<p>1</p>  <p>1/4" X 3/4"</p>	<p>2</p>  <p>1/4" X 1 9/16"</p>	<p>3</p>  <p>5/16" X 1 9/16"</p>	<p>4</p>  <p>4mm Allen Key</p>	
<p>Bolt X 38</p>	<p>Bolt X 12</p>	<p>Bolt X 9</p>	<p>X 1</p>	

Step 1

Attach **Z** x 4 and **L** x 4 to **A1** , **A2** , **C** & **D** as illustrated.

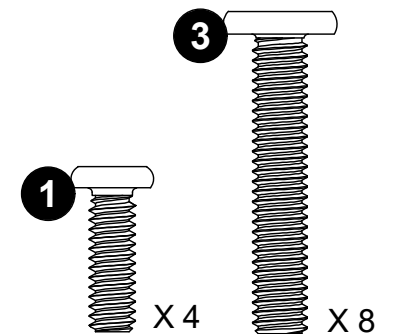
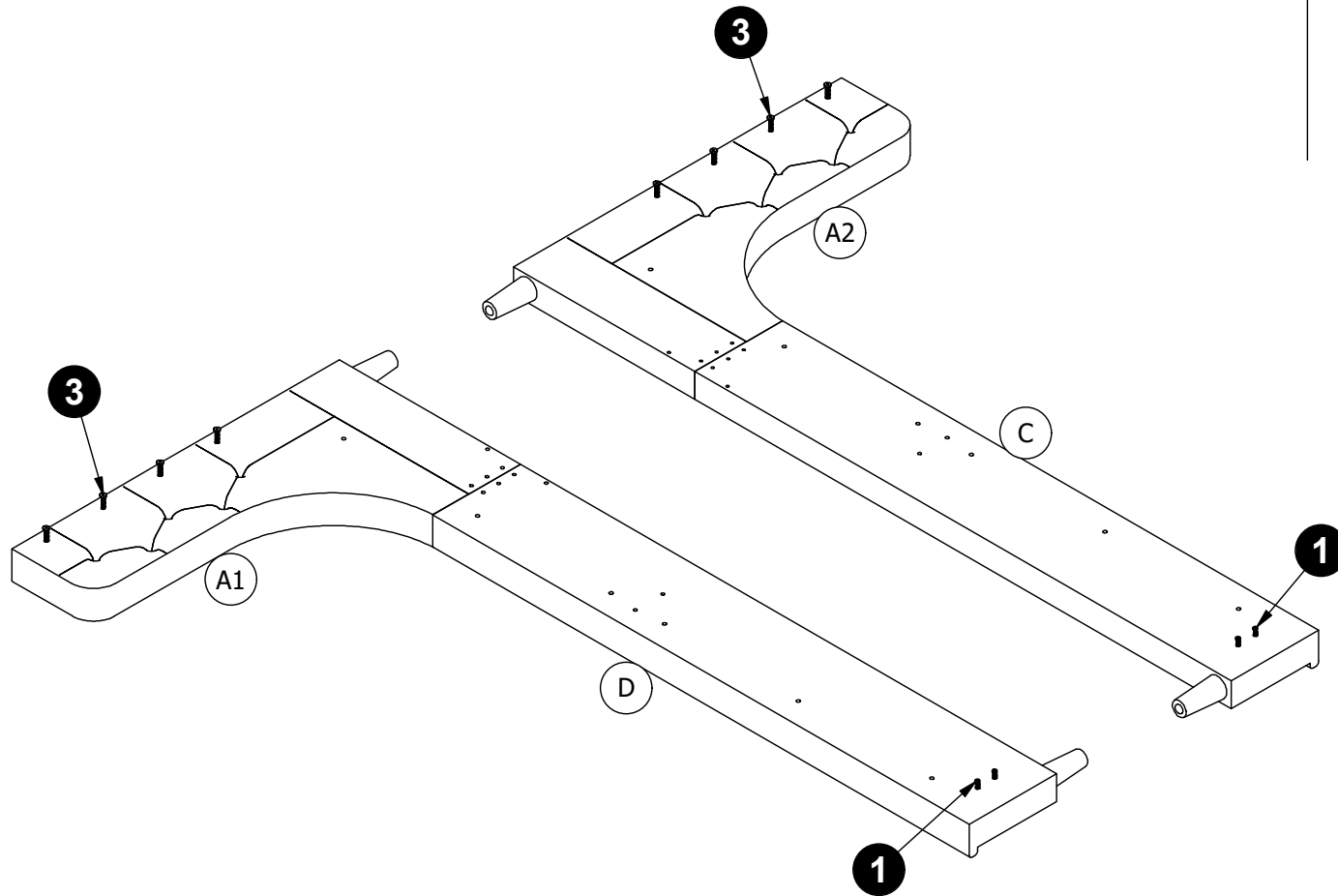


Step 2

Screw **3** into **A1** and **A2** as illustrated.

Screw **1** into **C** and **D** as illustrated.

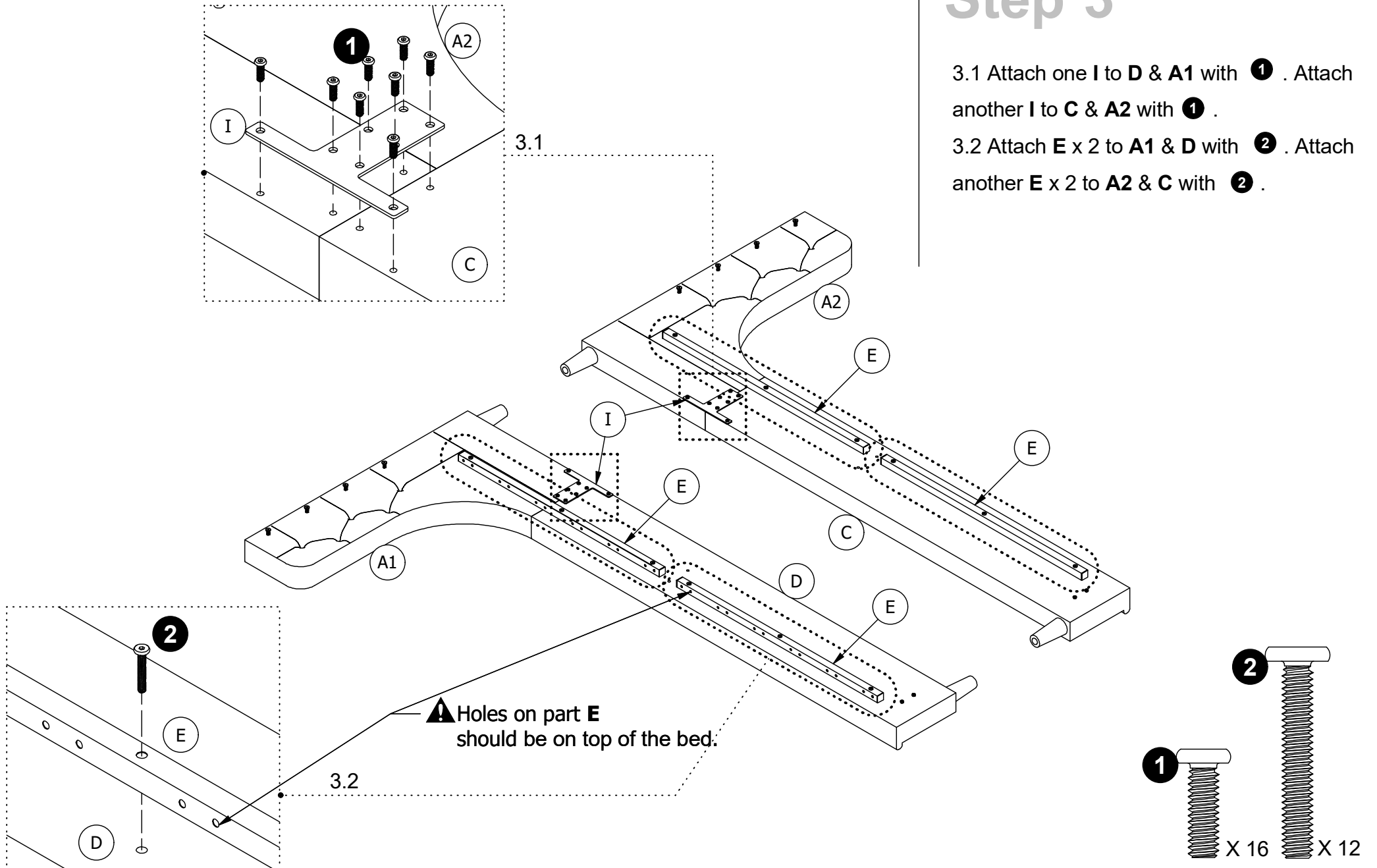
⚠ Leave half of the thread exposed.
Don't completely tighten bolts until **STEP 8** is complete.



Step 3

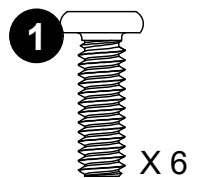
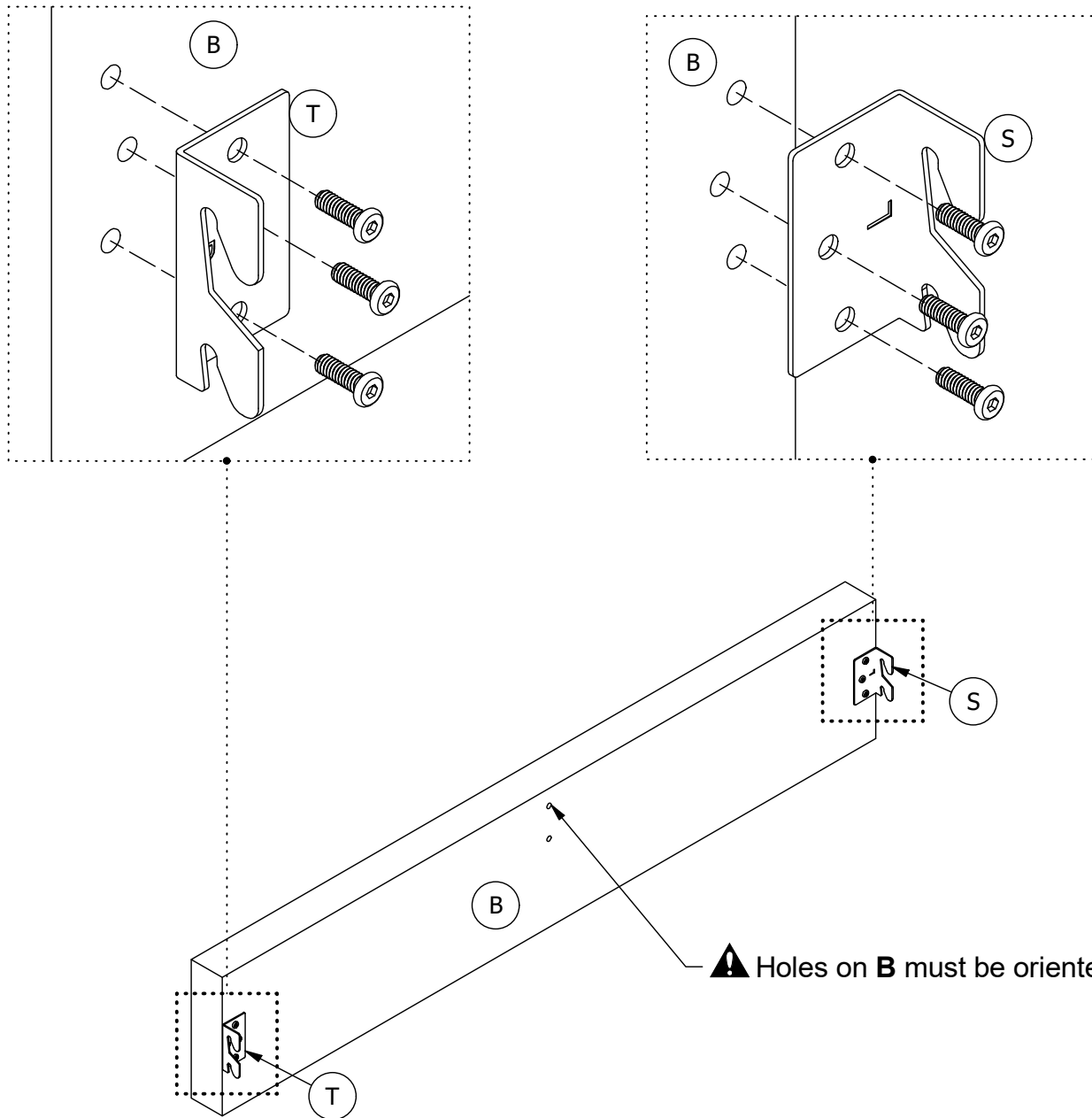
3.1 Attach one **I** to **D** & **A1** with **1** . Attach another **I** to **C** & **A2** with **1** .

3.2 Attach **E** x 2 to **A1** & **D** with **2** . Attach another **E** x 2 to **A2** & **C** with **2** .



Step 4

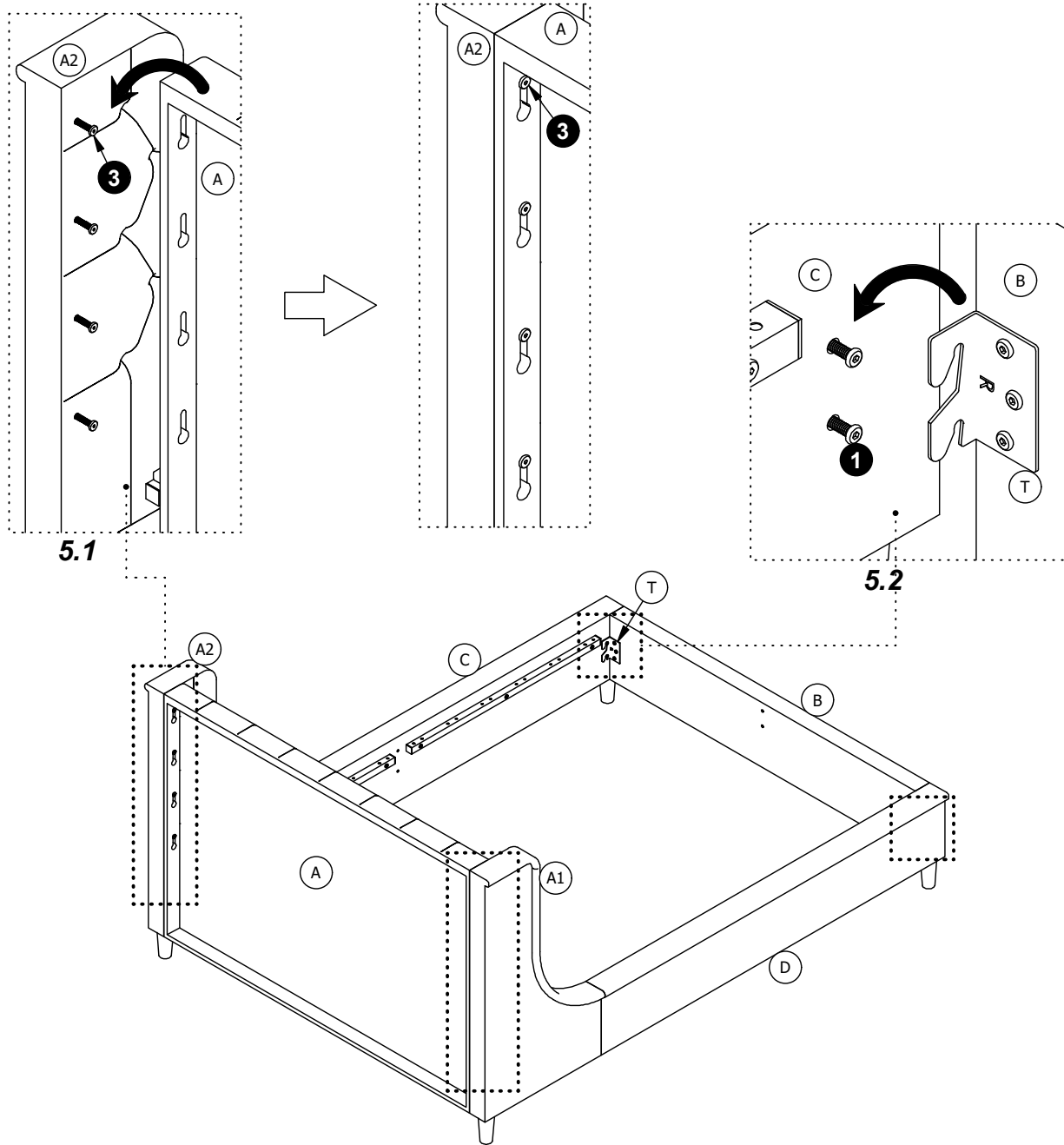
Attach **S** & **T** to **B** with **1**.
Then properly tighten all the Bolts in this step.



Step 5

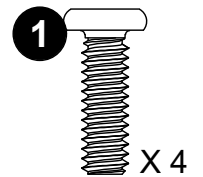
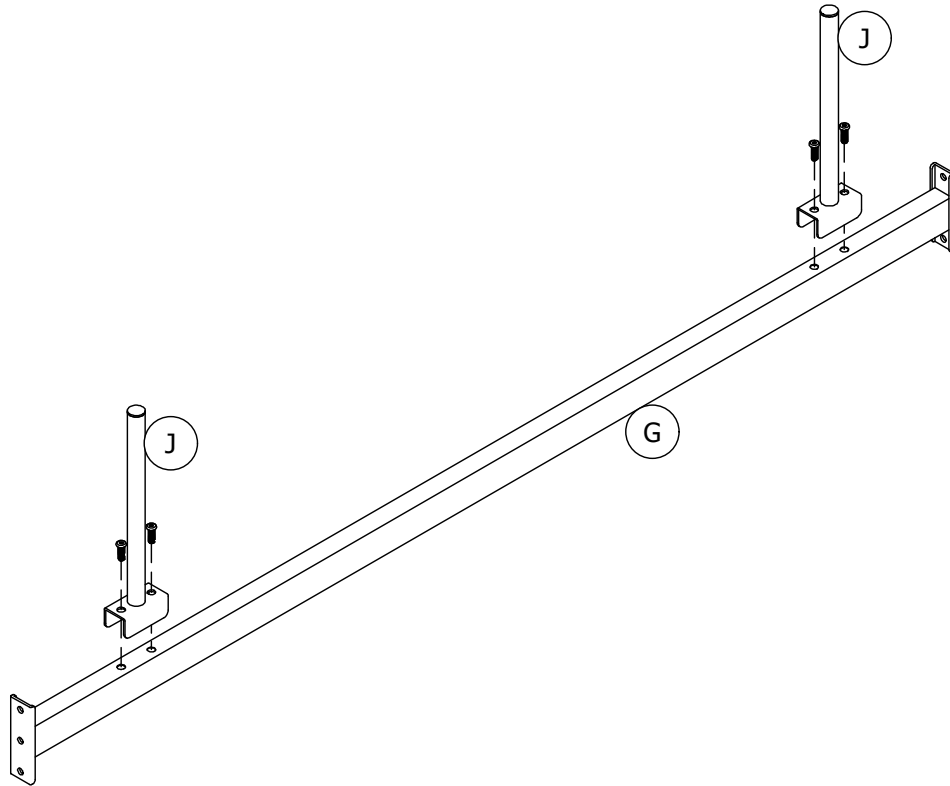
- 5.1 Hang **A** onto **A1** and **A2** as illustrated.
- 5.2 Hang **B** onto **C** and **D** as illustrated.

Don't completely tighten the bolts until **STEP 8** is complete.



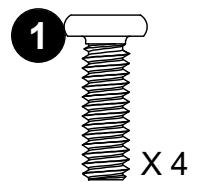
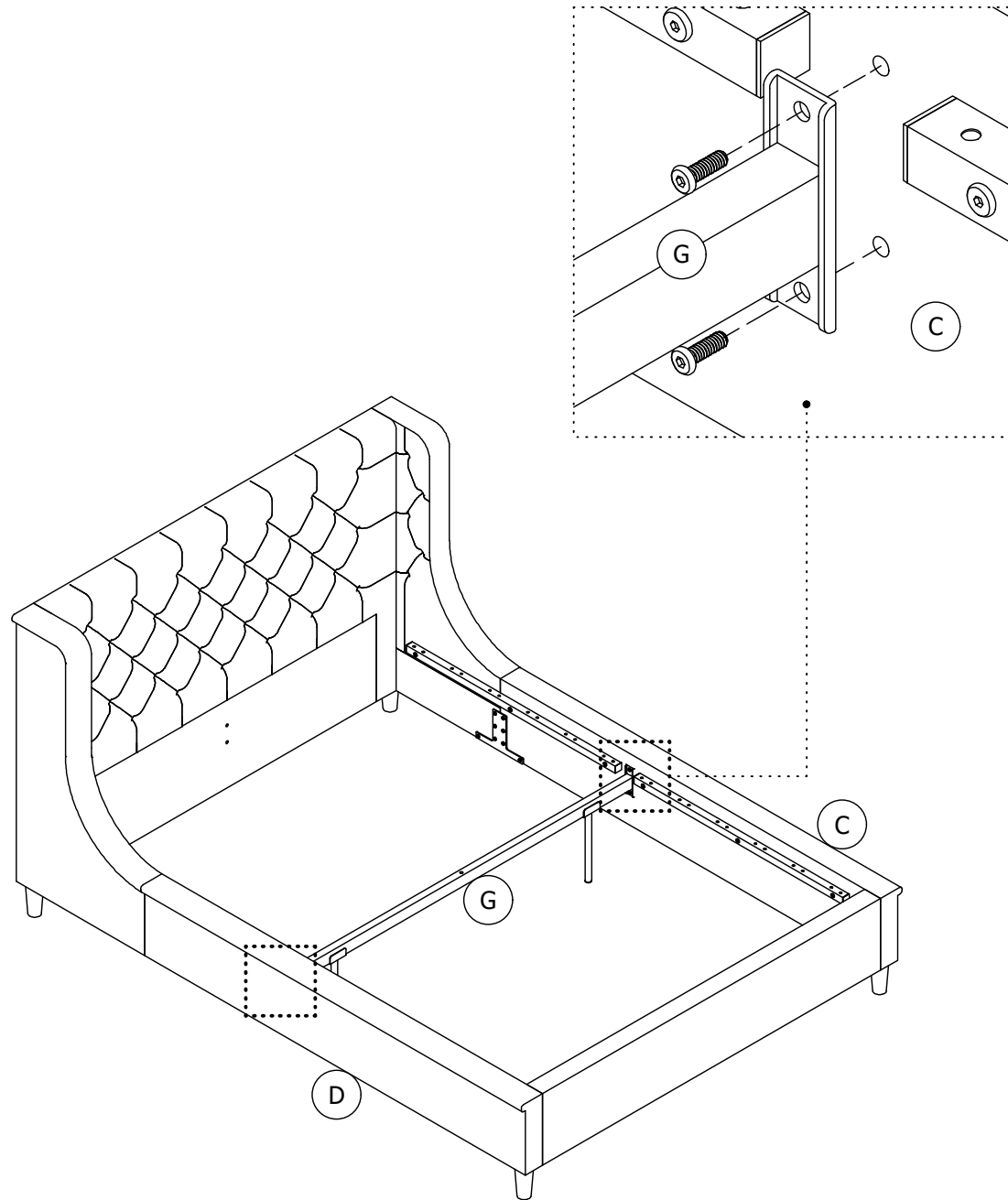
Step 6

Attach **J** x 2 to **G** with **1** .
Then properly tighten all the Bolts in this step.



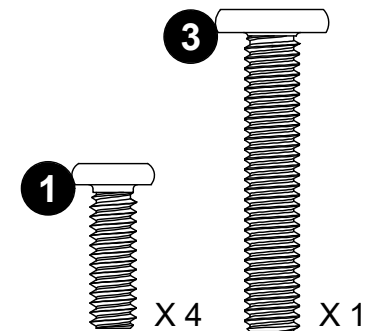
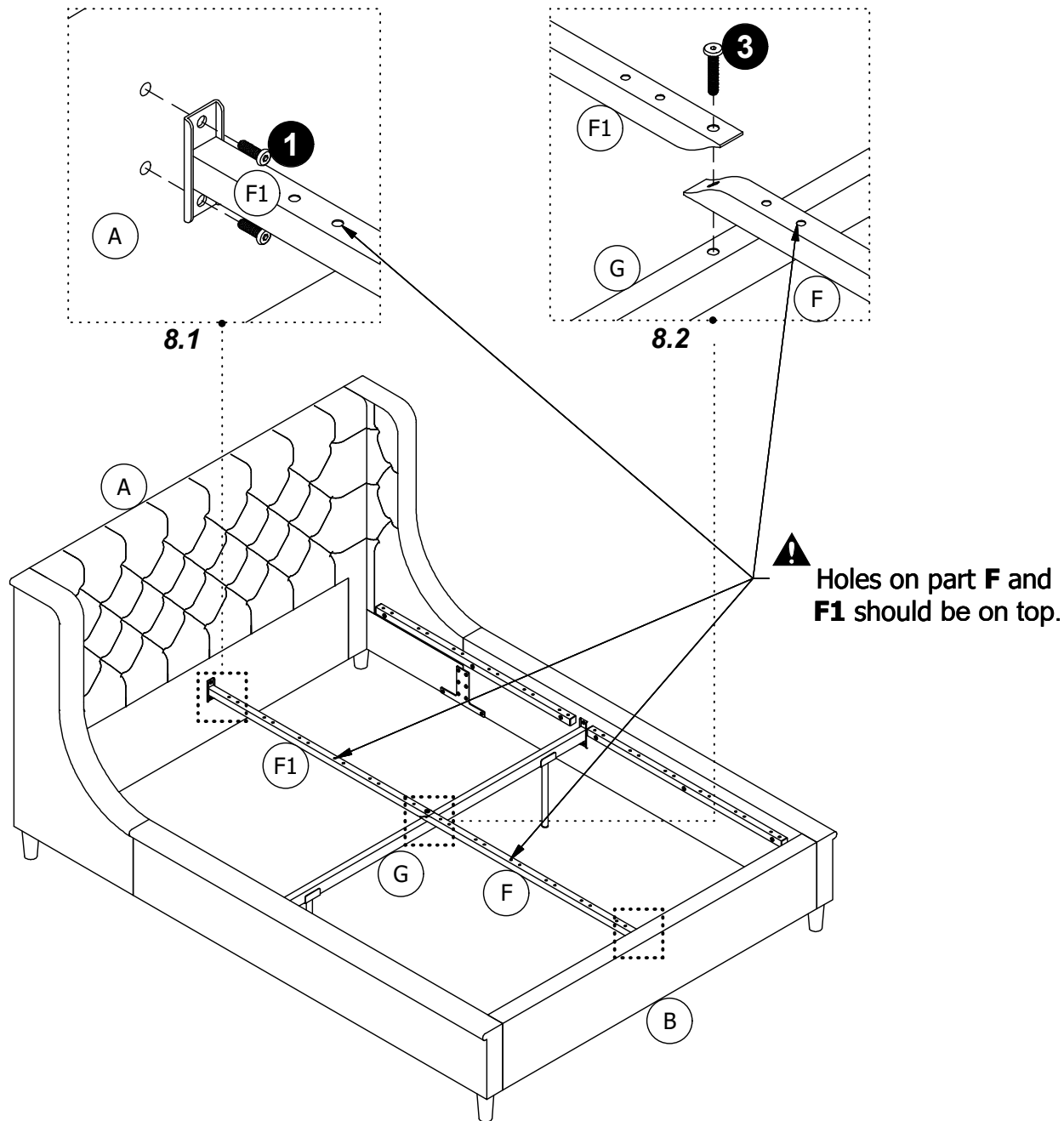
Step 7

Attach **G** to **C** and **D** with **1**.



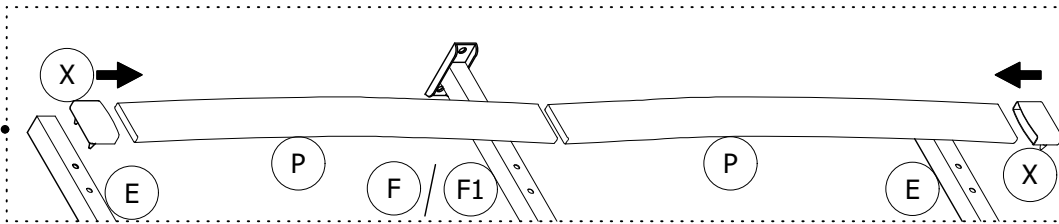
Step 8

- 8.1 Attach **F** to **B** with **1**. Attach **F1** to **A** with **1**.
 - 8.2 Attach **F1** and **F** to **G** with **3**.
- Properly tighten all the bolts.

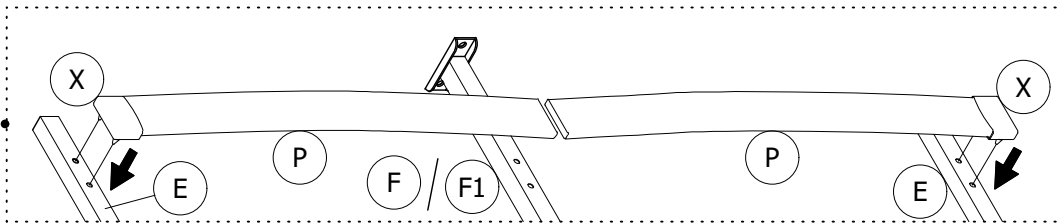


Step 9

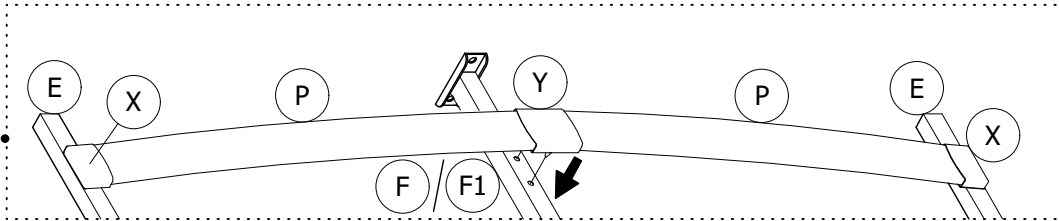
9.1



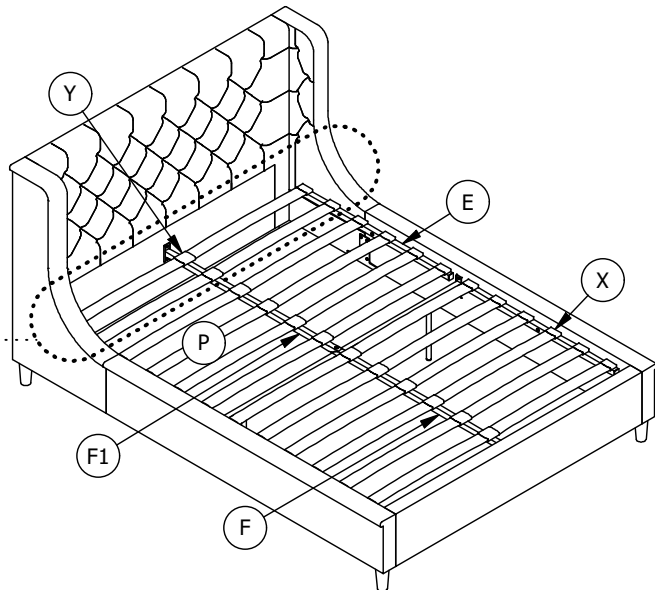
9.2



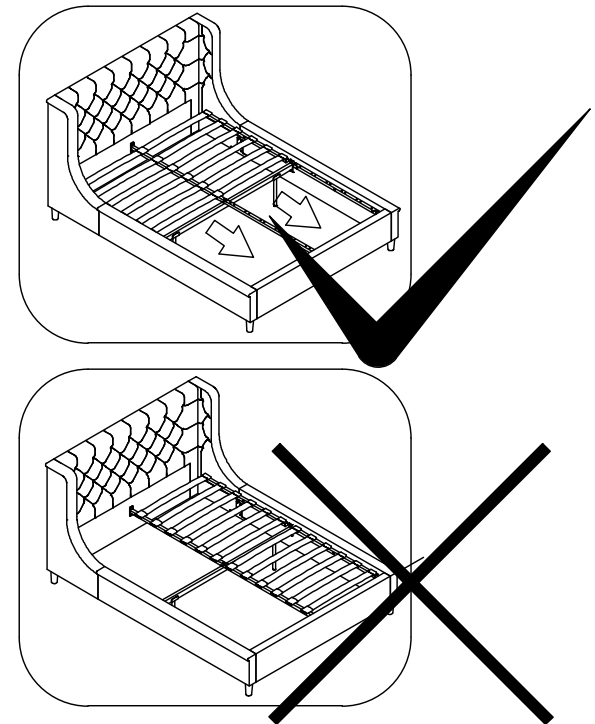
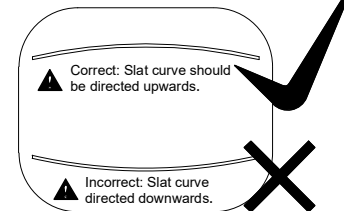
9.3



- 9.1 Insert **P** into **X**;
- 9.2 Press **X** into **E**, repeat the same procedure for the opposite side of the bed with a new **P** and **X** to press **X** into **E**.
- 9.3 Insert ends of both slat **P** into **Y**, then press **Y** into **F** & **F1** as illustrated. Repeat the same procedures going backwards for every row of slats.



SLAT WARNING



Step 10

Stick **H** to the back of **A** with Velcro as illustrated.

