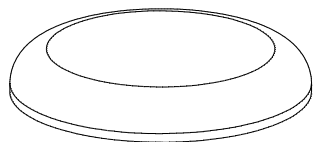
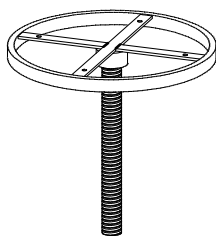


Ax1



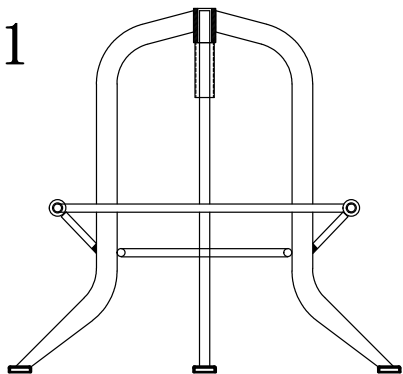
Bx1



Cx1



Dx1



Ex4



M6*20mm

Fx1



5mm

Gx1



M22

Fit the black washer into the spiral rod it will stabilize the seat

