

120V/50~60Hz Immovable. Dry Location
LAMP-HOUSE:LED 3x6W 3000K LED 3x6W 6000K
MATERIAL:ALUMINIUM

## INSTALLATION SHEET

### INSTALLATION GUIDE

1. Before installation, make sure the power is switched off.
2. Please follow diagram for the installation.

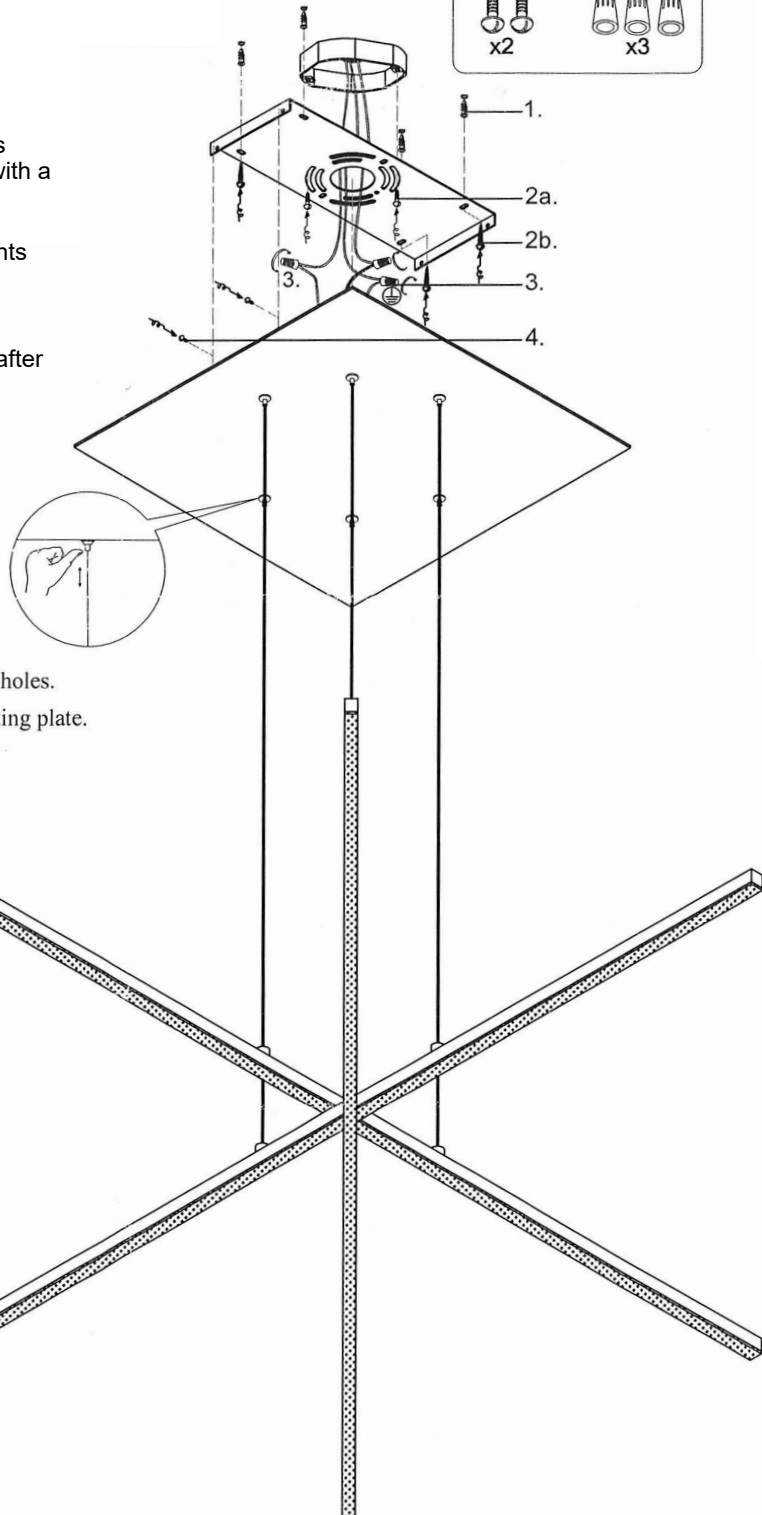
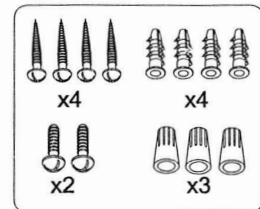
### CLEANING INSTRUCTION!

Before cleaning make sure the power supply is switched off. Use only a soft cloth moistened with a mild cleanser to clean the fixture.

**WARNING!!** Do not use alcohol or other solvents

### CAUTION:

Please do not touch the fixture within an hour after the power supply has been switched off.



1. Drill holes and insert the screw dowels into the holes.
2. Using the self-tapping screws to fix the amounting plate.
3. Make wiring connections.
4. Mount fixture using the mounting screws.