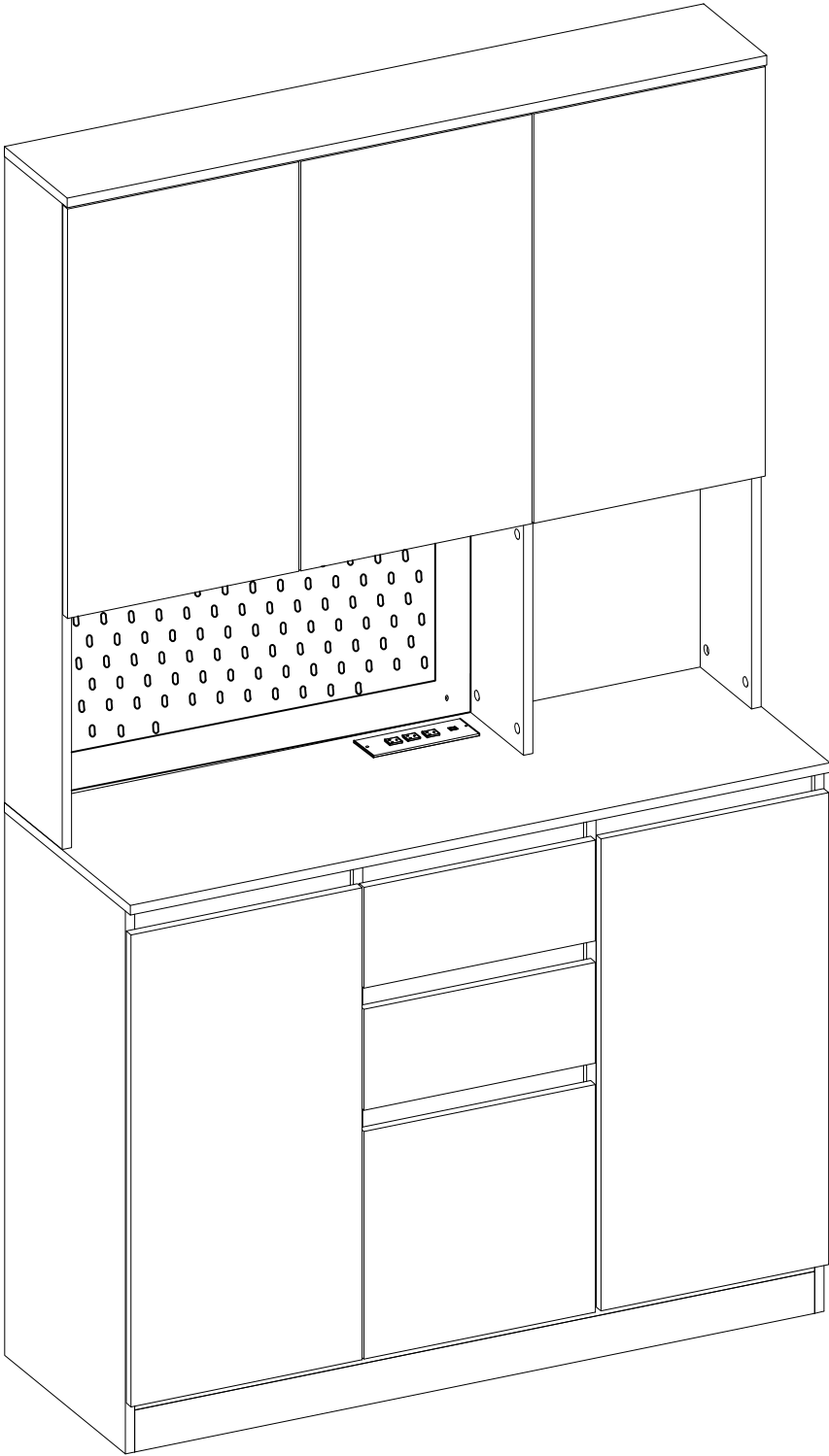
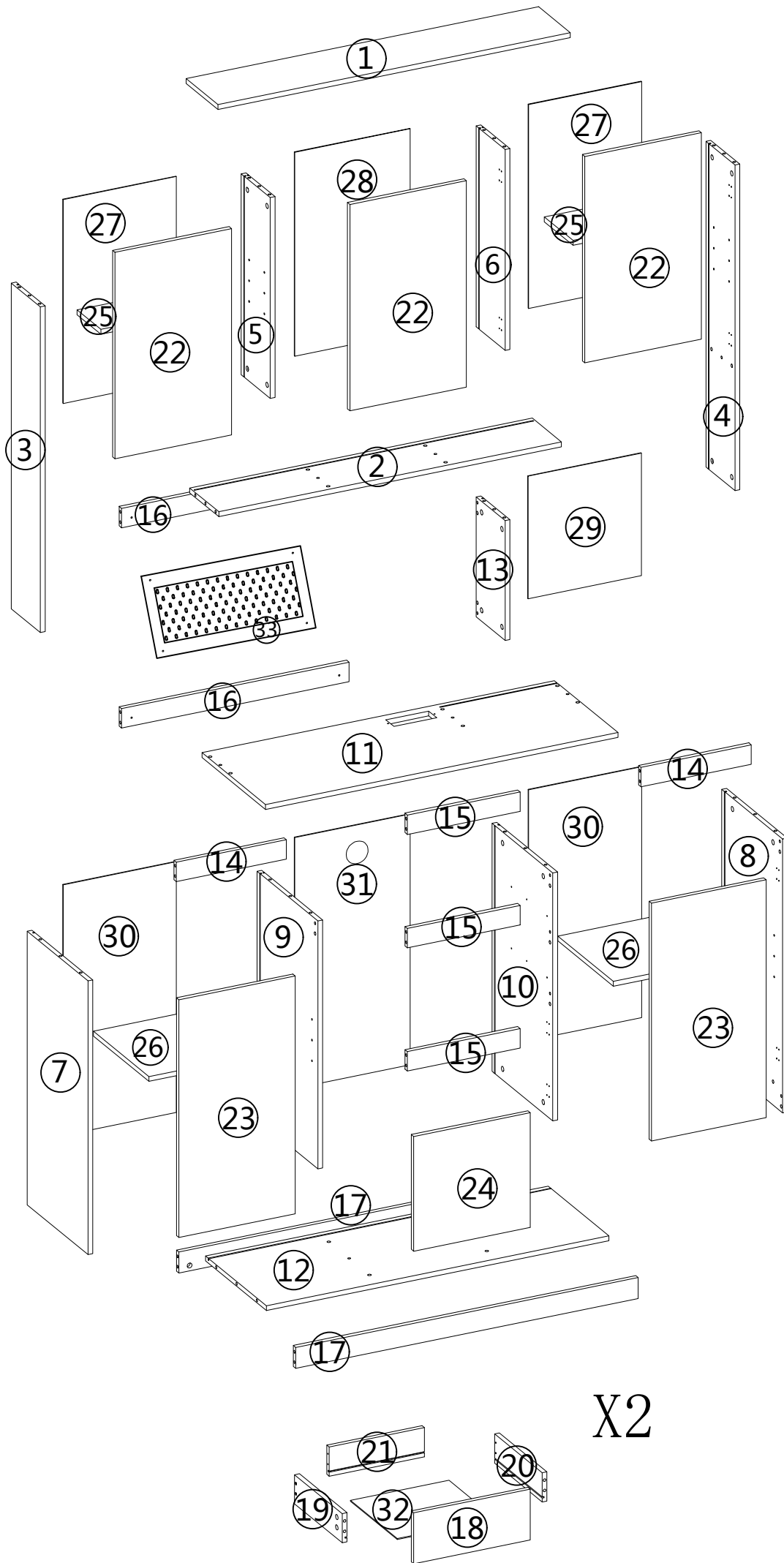


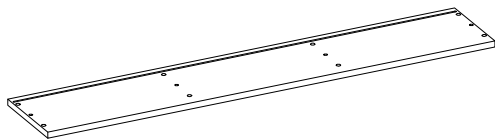
Installation & Assembly





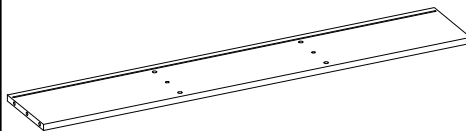
X2

1



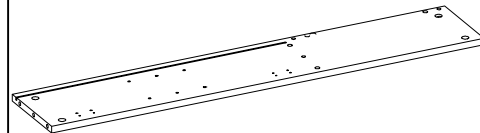
1100*200*15mm 1 PC

2



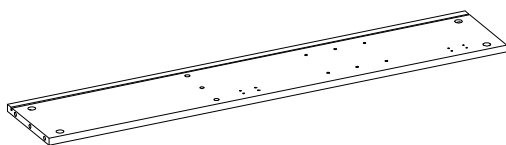
1079*183*15mm 1 PC

3



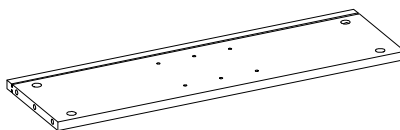
1005*183*15mm 1 PC

4



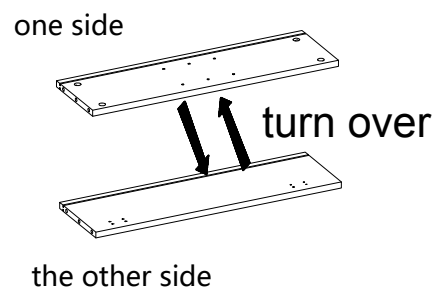
1005*183*15mm 1 PC

5



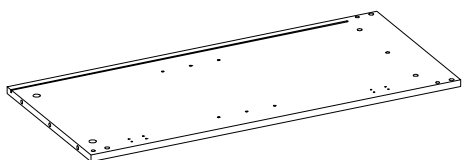
620*183*15mm 1 PC

6



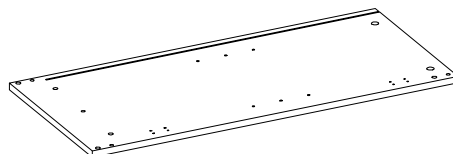
620*183*15mm 1 PC

7



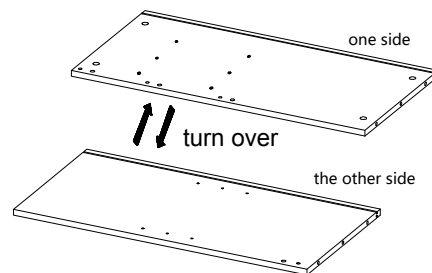
845*383*15mm 1 PC

8



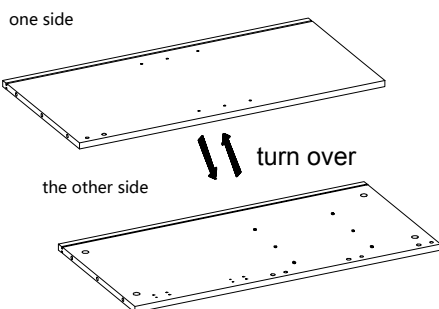
845*383*15mm 1 PC

9



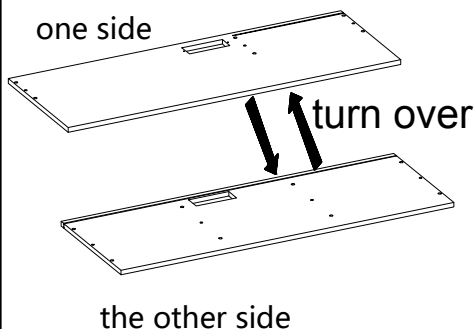
765*383*15mm 1 PC

10



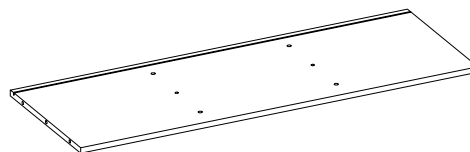
765*383*15mm 1 PC

11



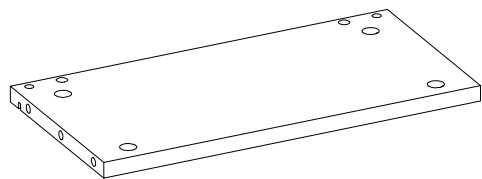
1110*400*15mm 1 PC

12



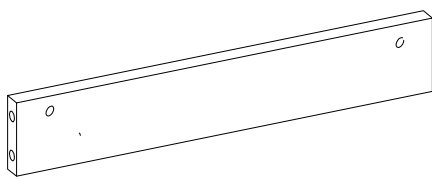
1079*383*15mm 1 PC

13



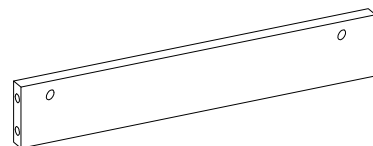
370*183*15mm 1 PC

14



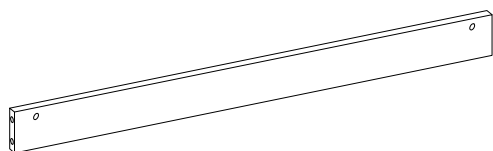
347*60*15mm 2 PCS

15



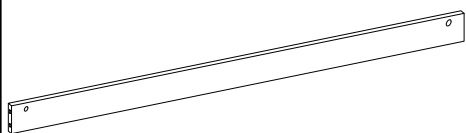
355*60*15mm 3 PCS

16



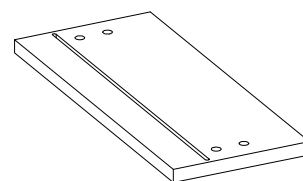
717*60*15mm 2 PCS

17



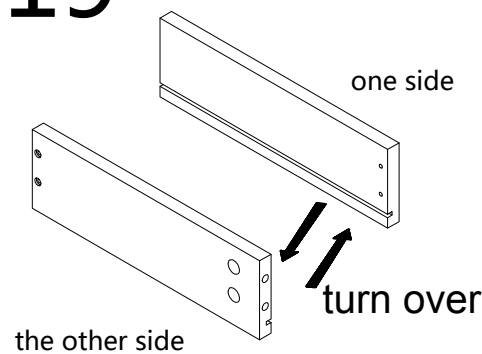
1079*65*15mm 2 PCS

18



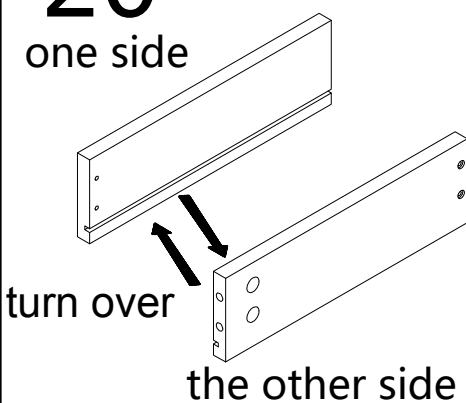
157*367*15mm 2 PCS

19



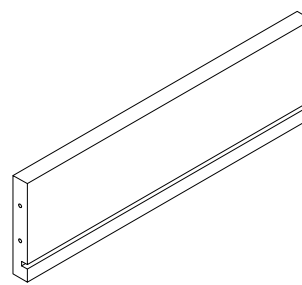
300*90*15mm 2 PCS

20



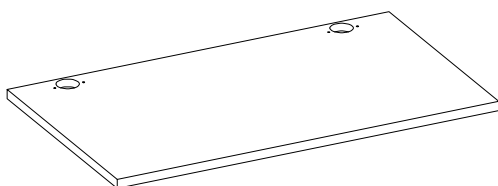
300*90*15mm 2 PCS

21



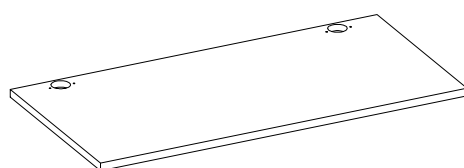
300*90*15mm 2 PCS

22



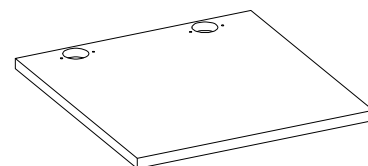
637*367*15mm 3 PCS

23



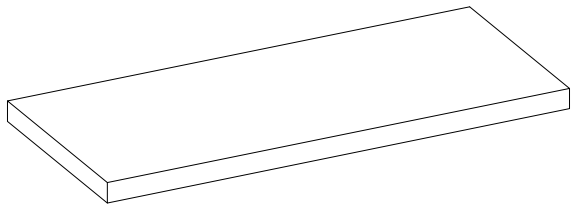
734*367*15mm 2 PCS

24



354*367*15mm 1 PC

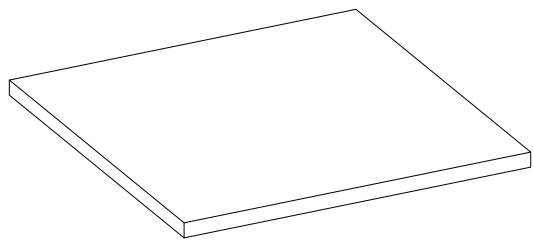
25



345*150*15mm

2 PCS

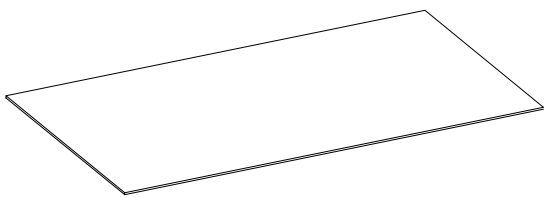
26



345*350*15mm

2 PCS

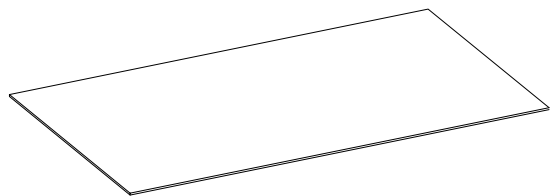
27



629*356*3mm

2 PCS

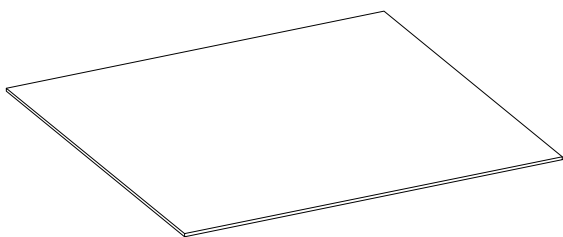
28



629*363*3mm

1 PC

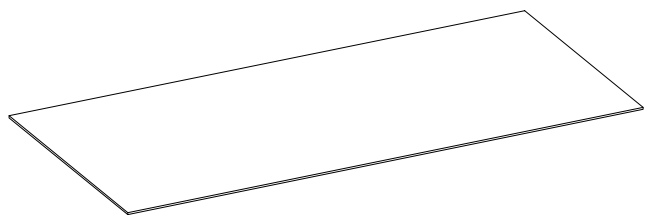
29



378*357*3mm

1 PC

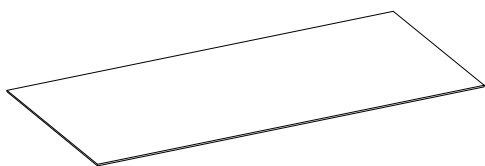
30



774*356*3mm

2 PCS

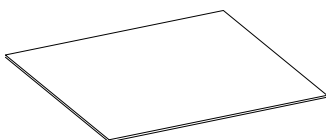
31



774*363*3mm

1 PC

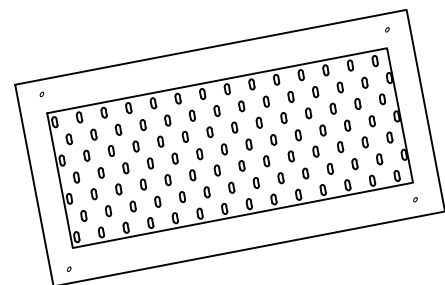
32



310*295*3mm

2 PCS

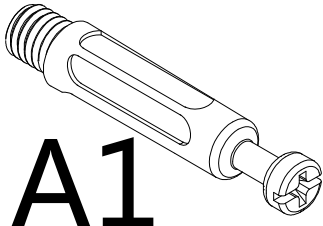
33



715*368*3mm

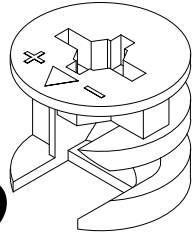
1 PC

A



A1

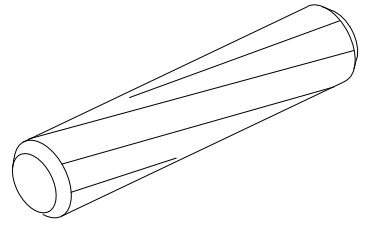
φ7*40mm



A2

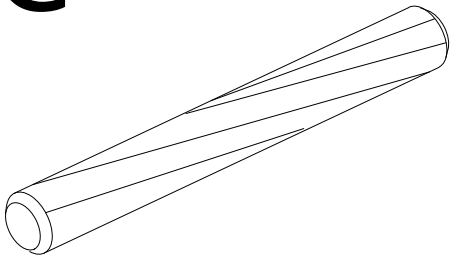
φ15*11mm 66PCS

B



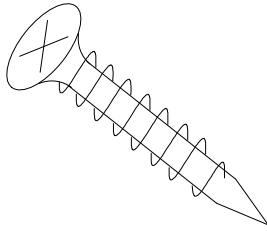
φ8*30mm 32PCS

C



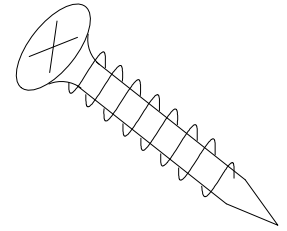
φ8*50mm 3PCS

D



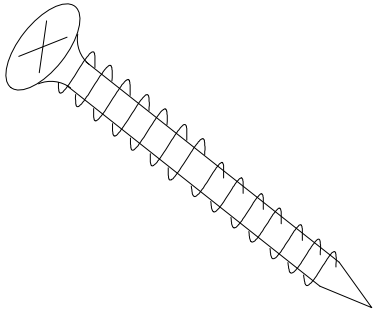
M3.5*14mm 124PCS

E



M3.5*14mm 4PCS

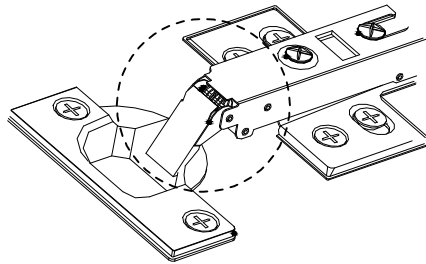
F



M3.5*35mm 8PCS

G

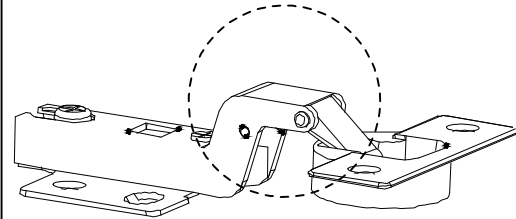
Full Overlay



φ35mm 8PCS

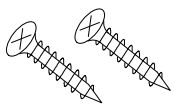
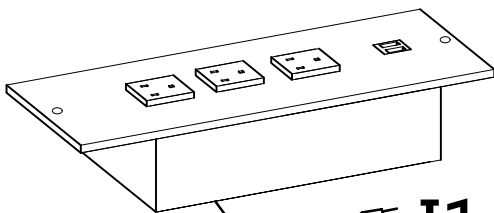
H

Half Overlay



φ35mm 4PCS

I



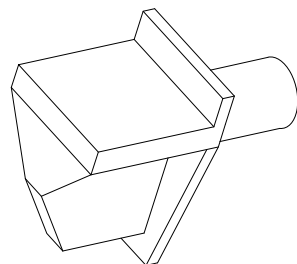
I2



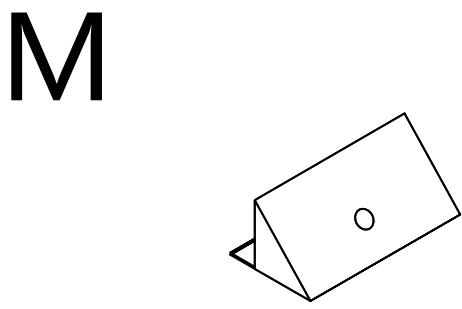
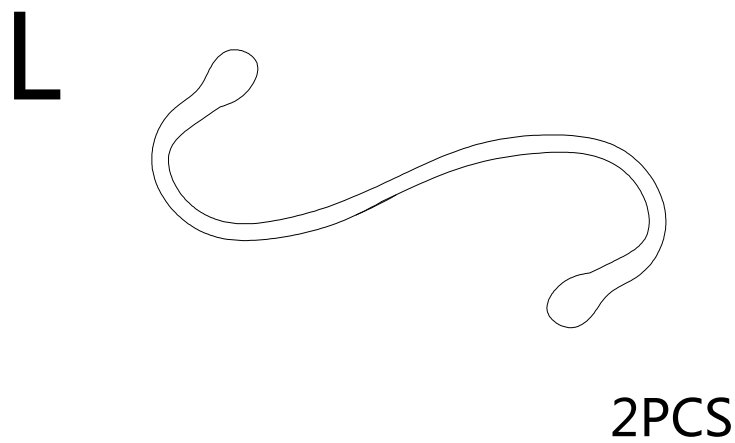
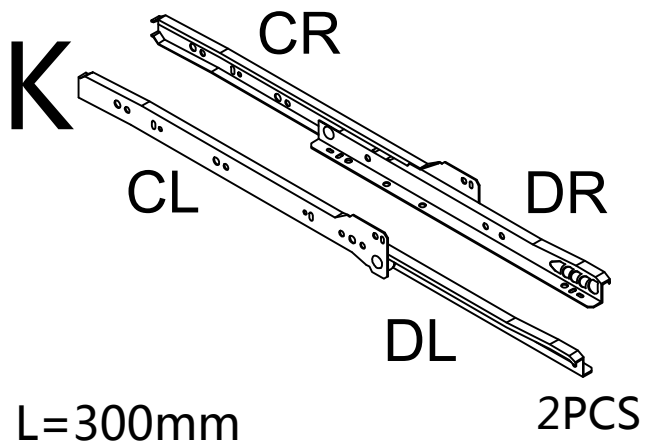
I1

1PC

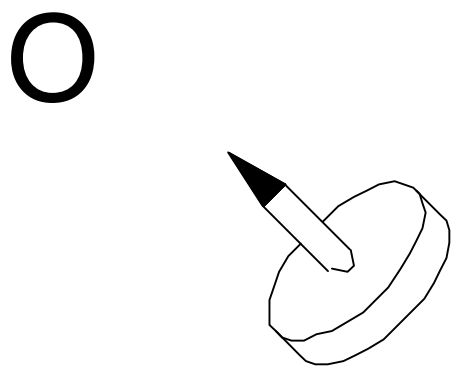
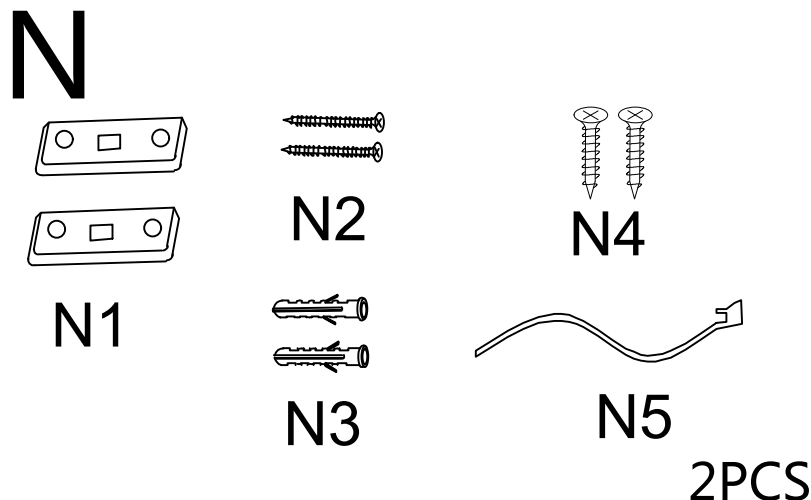
J



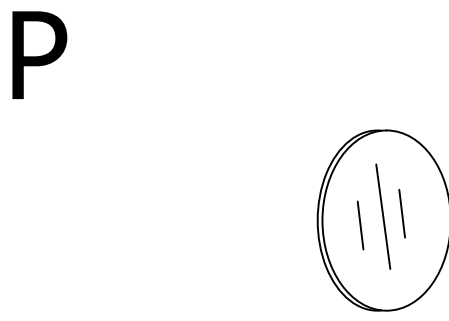
16PCS



28PCS



10PCS



∅21mm

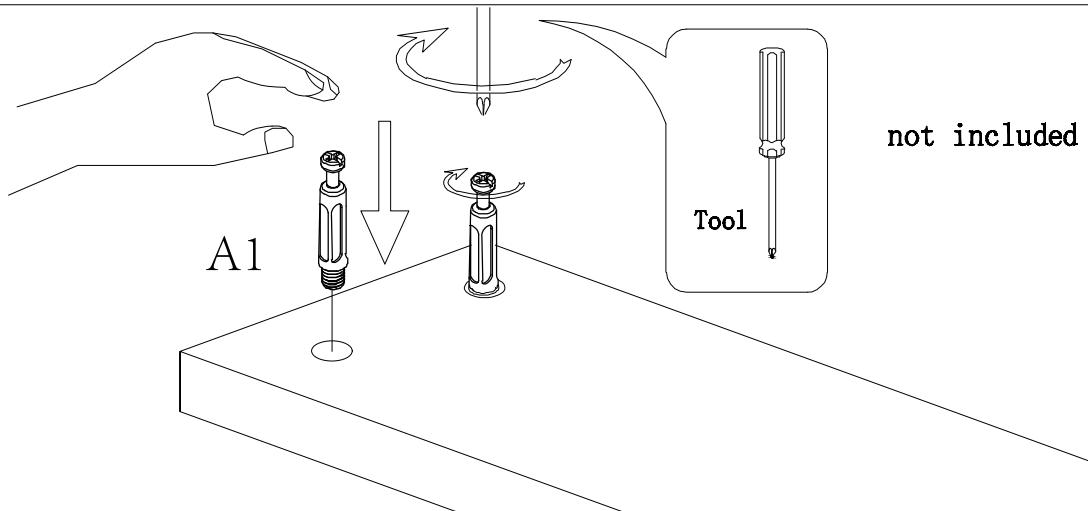
66PCS

Hardware installation demonstration

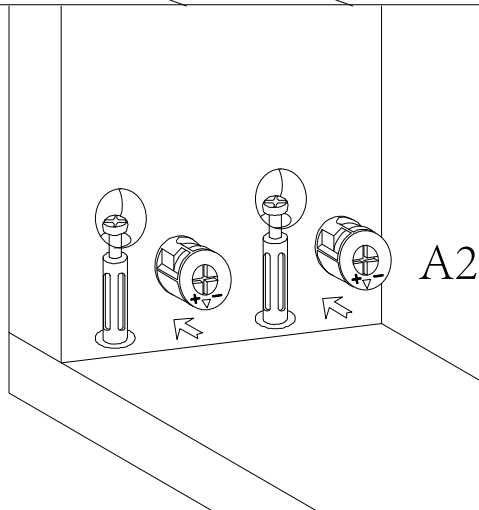


NOTE: Please make sure "A1" hardware tightened and can't be pulled out!

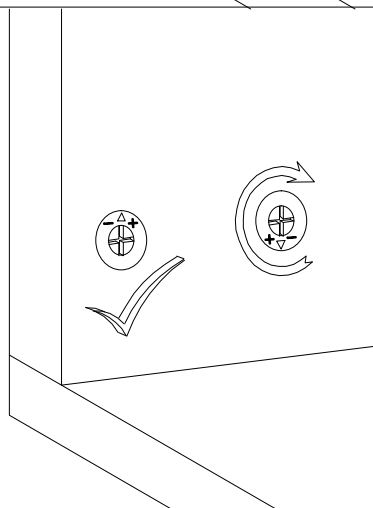
I



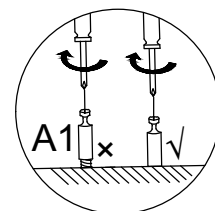
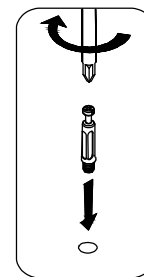
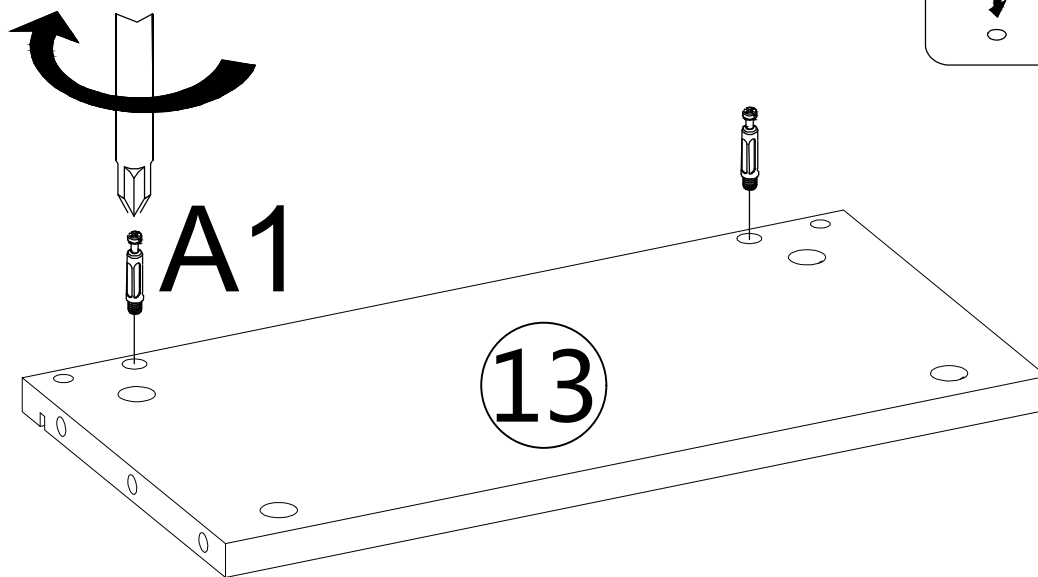
II




III

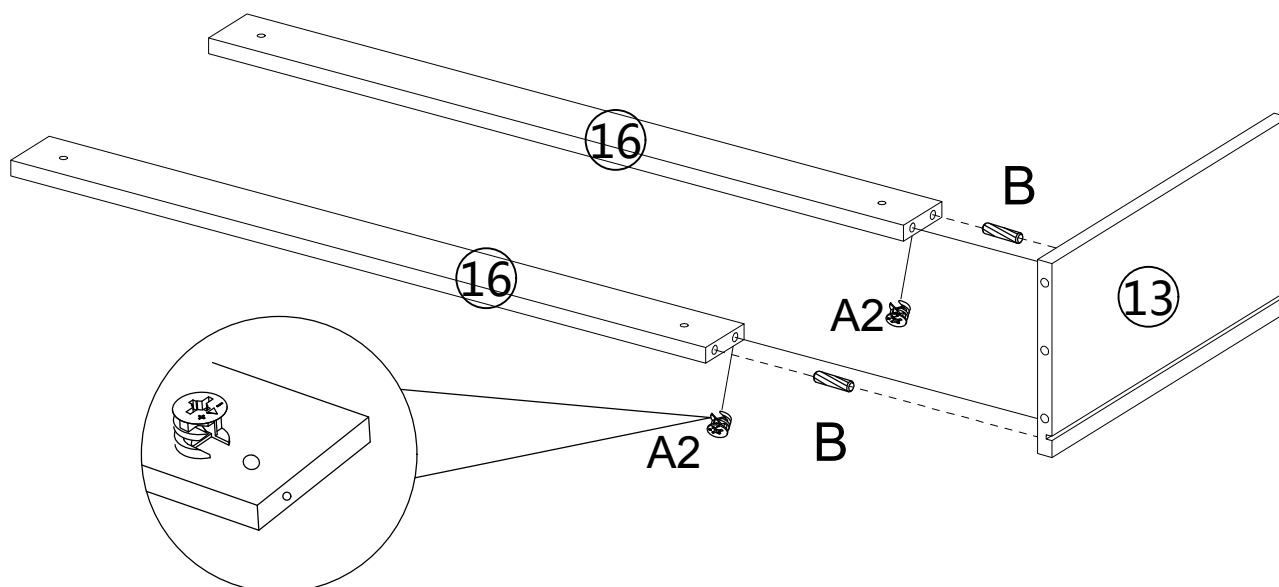


STEP 1



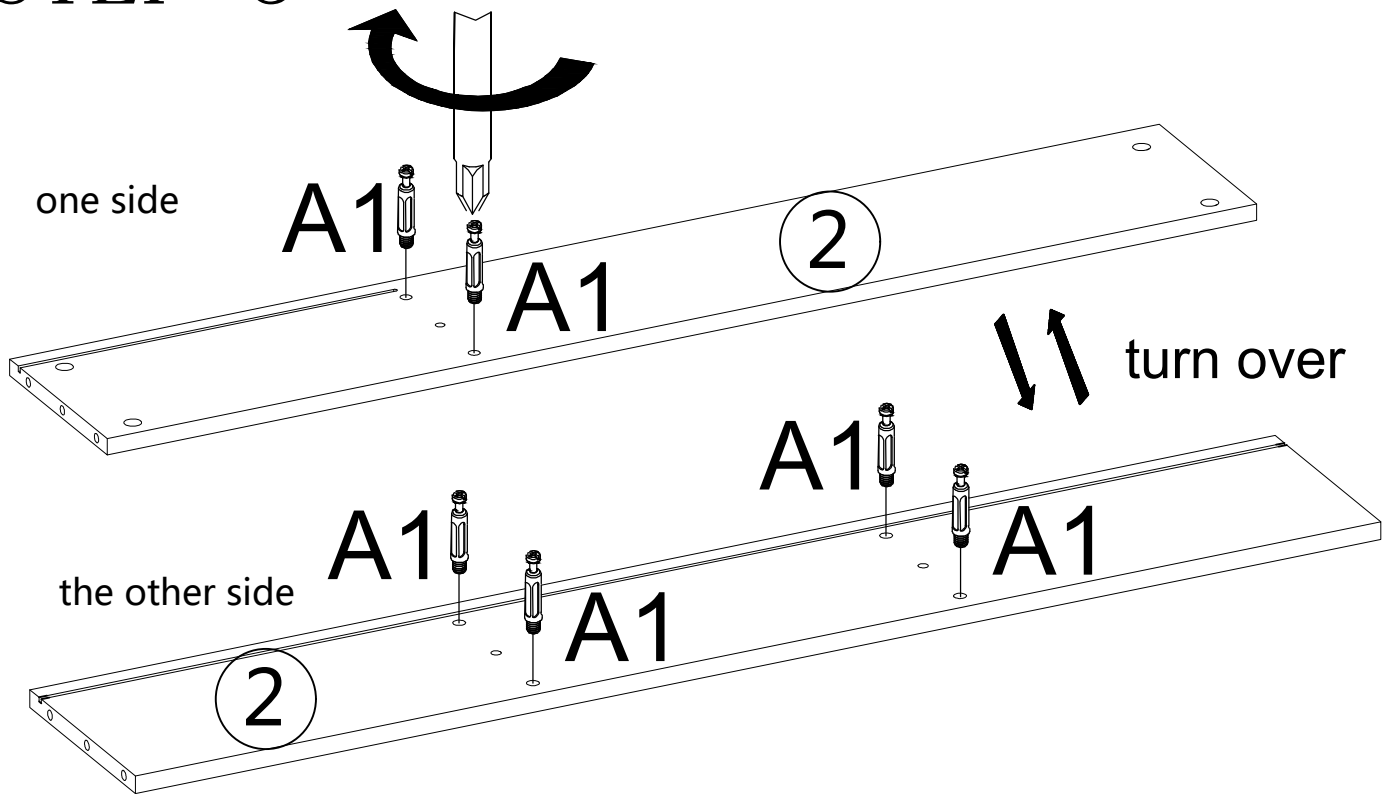
	A1 × 2PCS
---------------------------------------------------------------------------------------	-----------


STEP 2



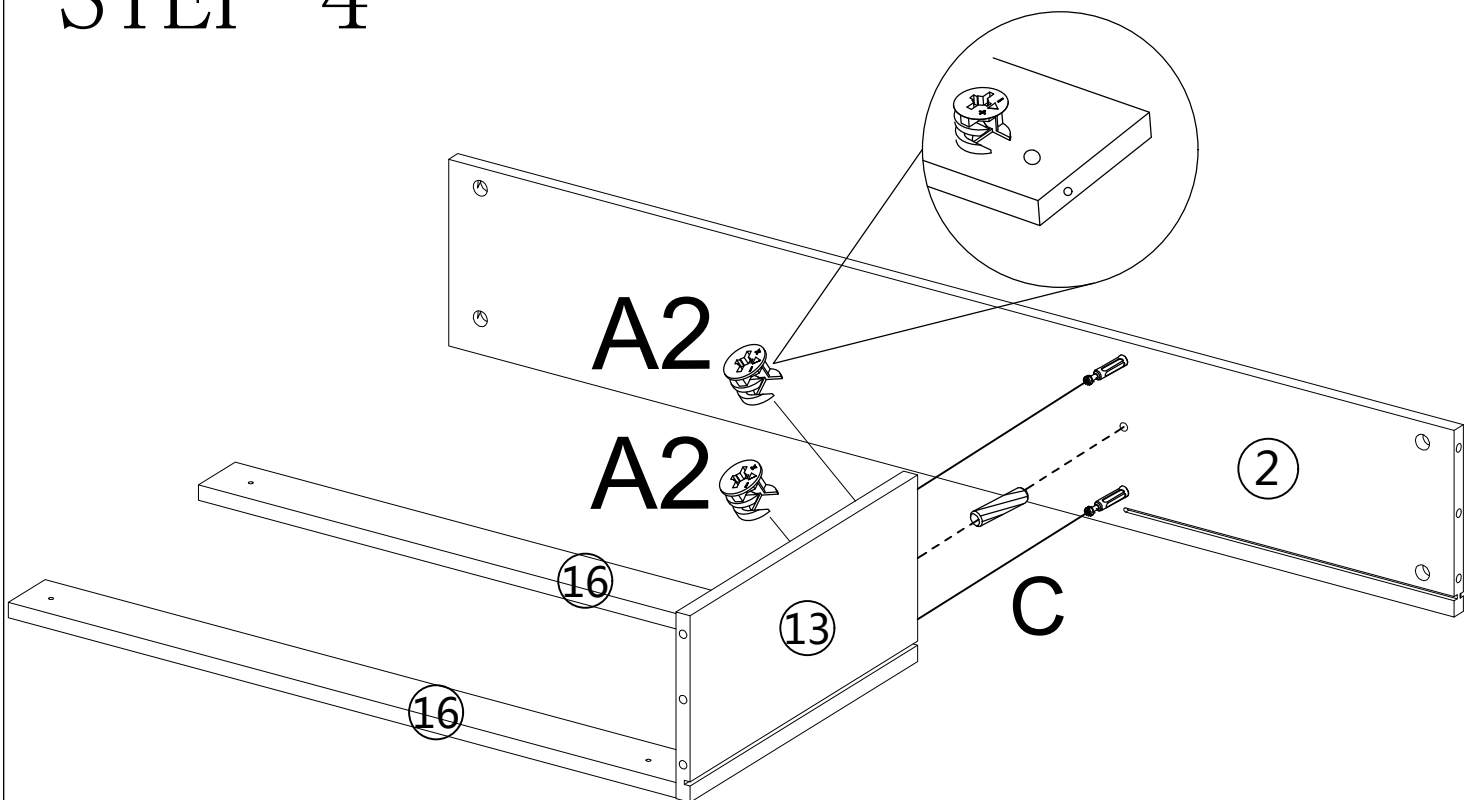
	A2 × 2PCS		B × 2PCS
-------------------------------------------------------------------------------------	-----------	---------------------------------------------------------------------------------------	----------



STEP 3



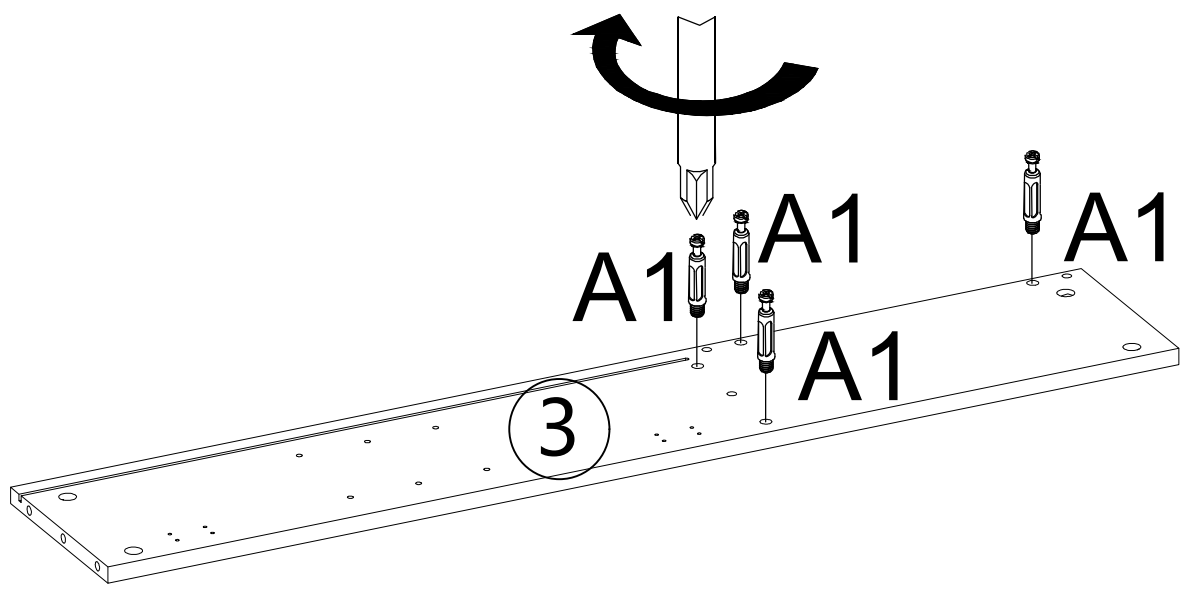
	A1 × 6PCS
---------------------------------------------------------------------------------------	-----------


STEP 4



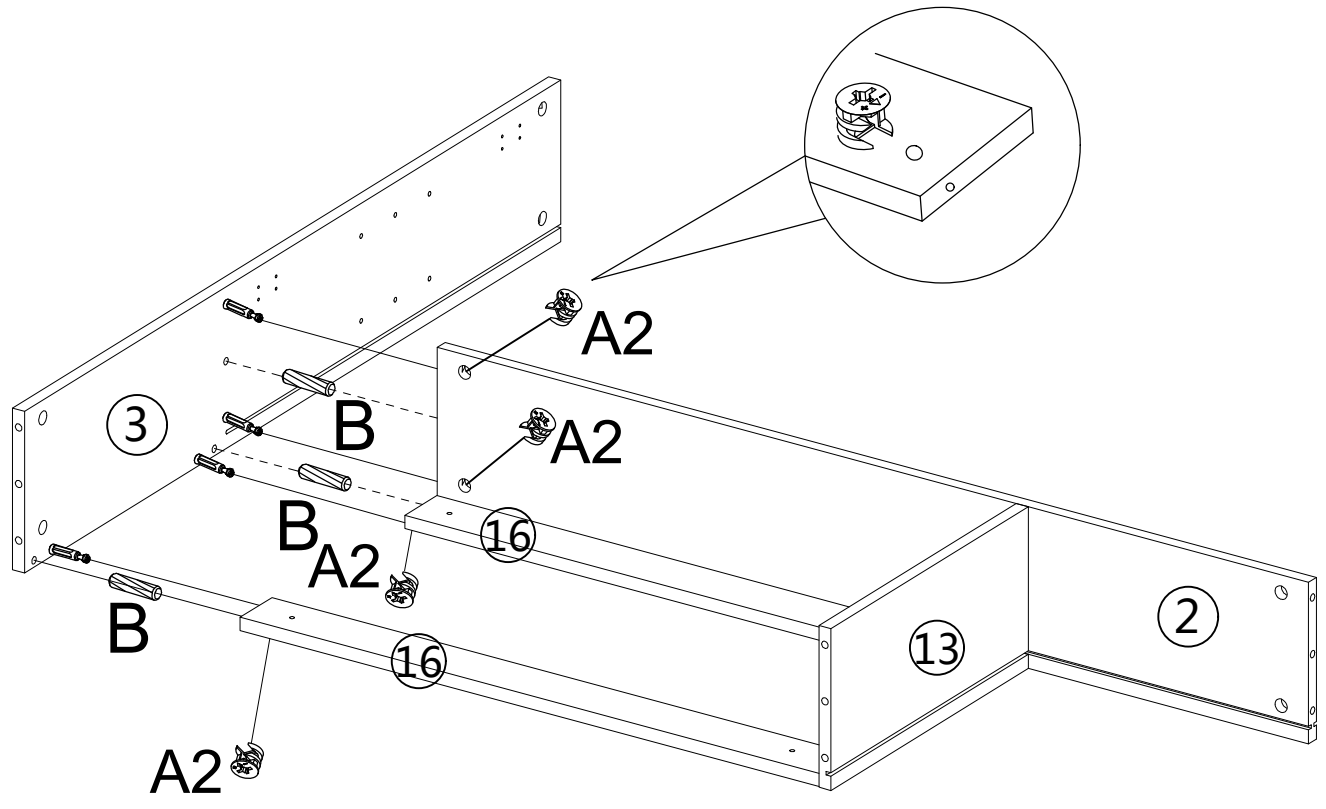
	A2 × 2PCS		C × 1PC
-------------------------------------------------------------------------------------	-----------	---------------------------------------------------------------------------------------	---------



STEP 5



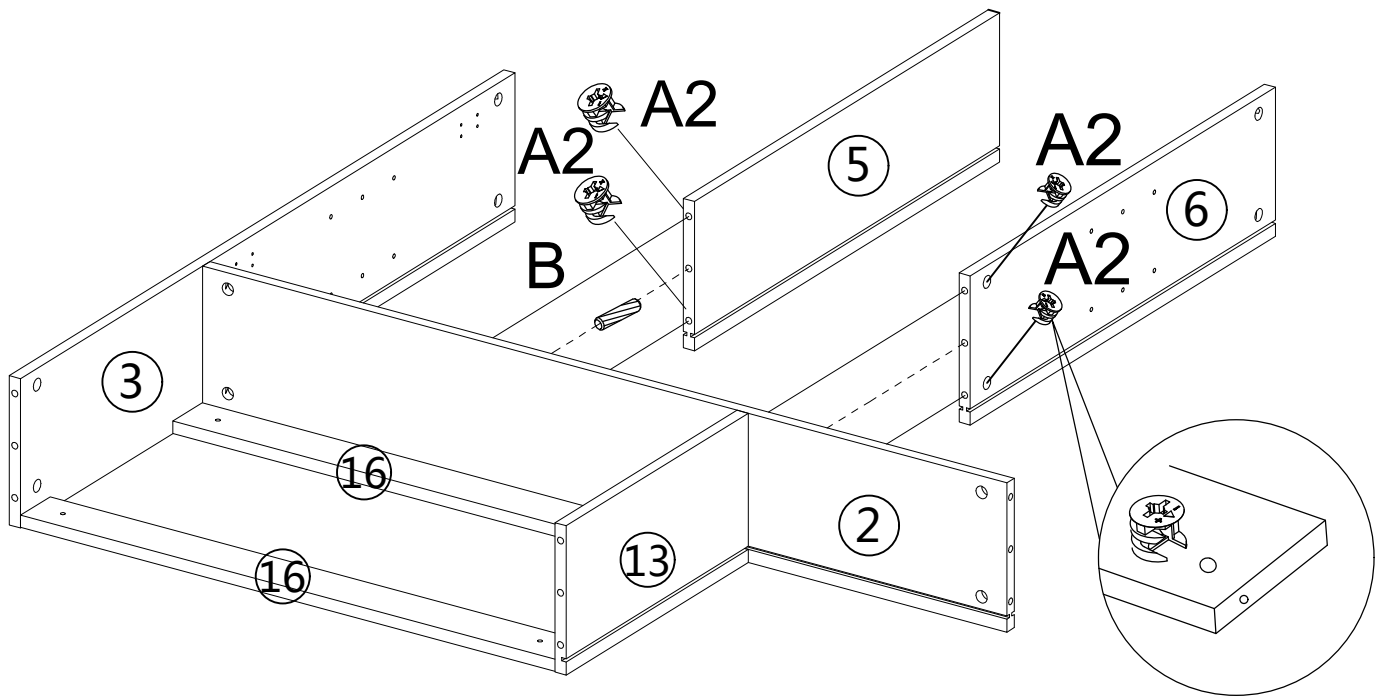
	A1 × 4PCS
--------------------------------------------------------------------------------------	-----------



STEP 6



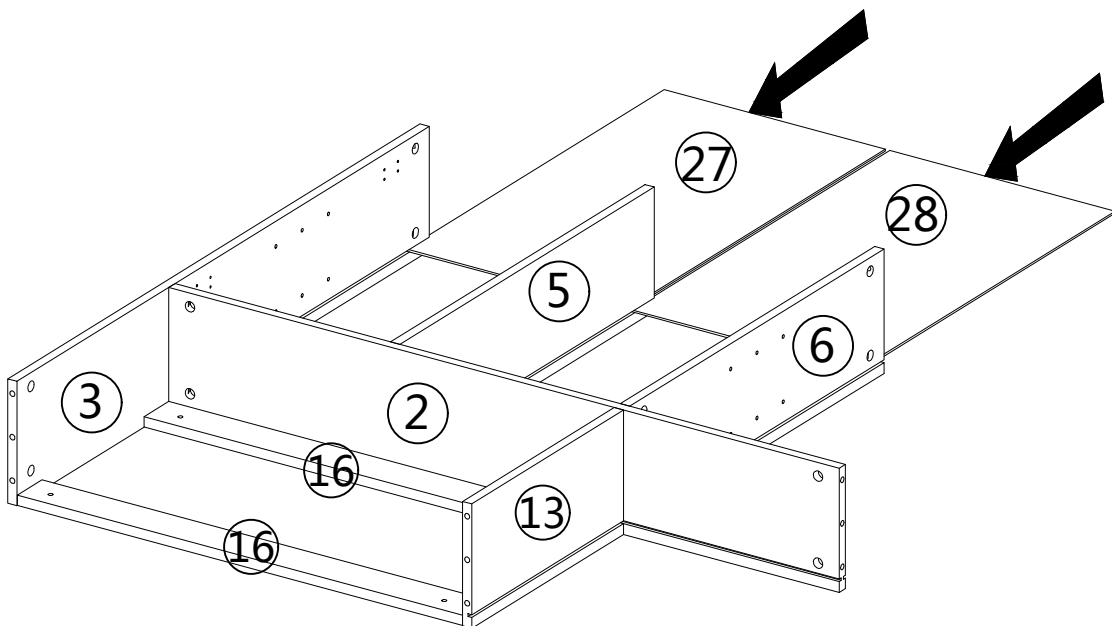
	A2 × 4PCS		B × 3PCS
-------------------------------------------------------------------------------------	-----------	---------------------------------------------------------------------------------------	----------

STEP 7

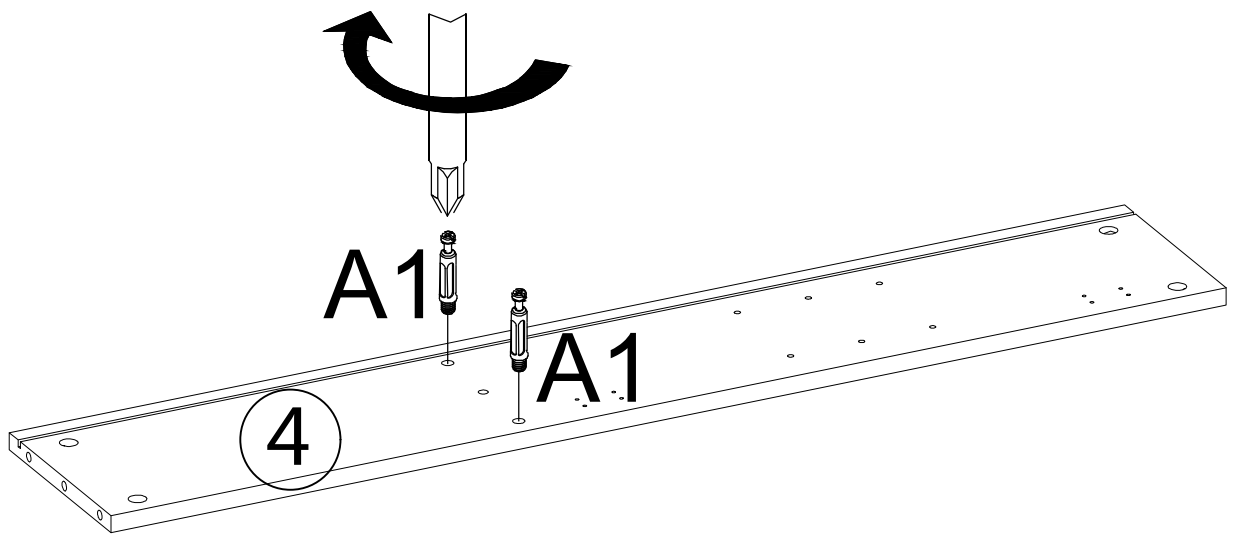



	A2 × 4PCS		B × 1PC
-------------------------------------------------------------------------------------	-----------	---------------------------------------------------------------------------------------	---------

STEP 8

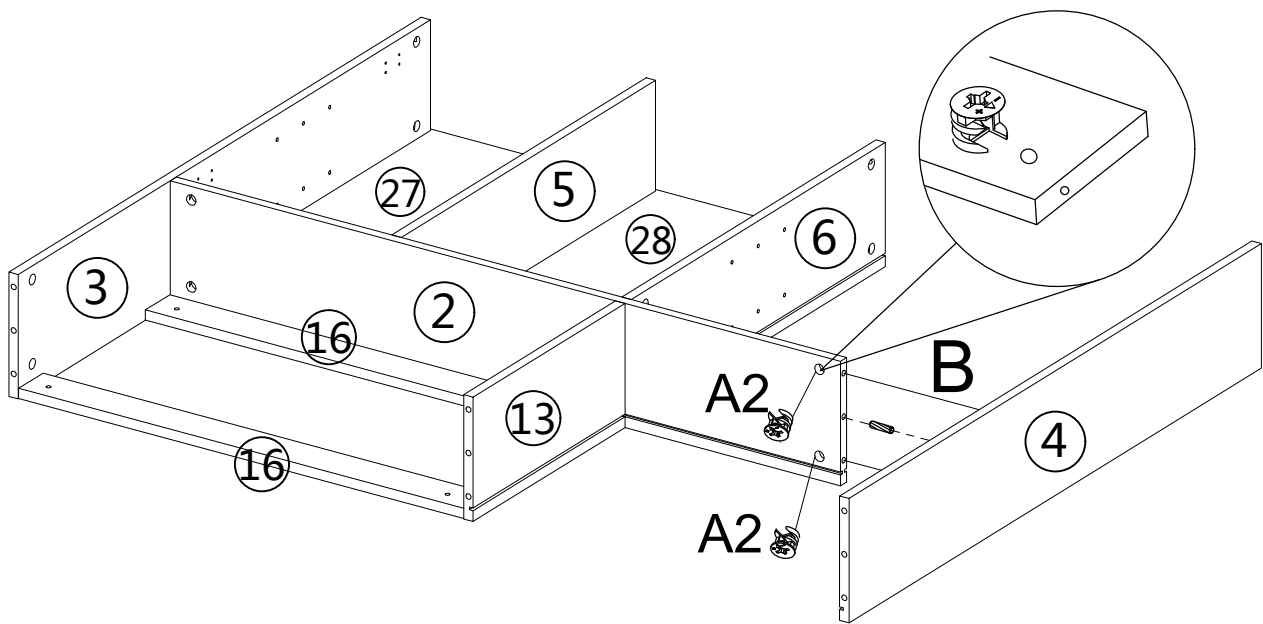




STEP 9



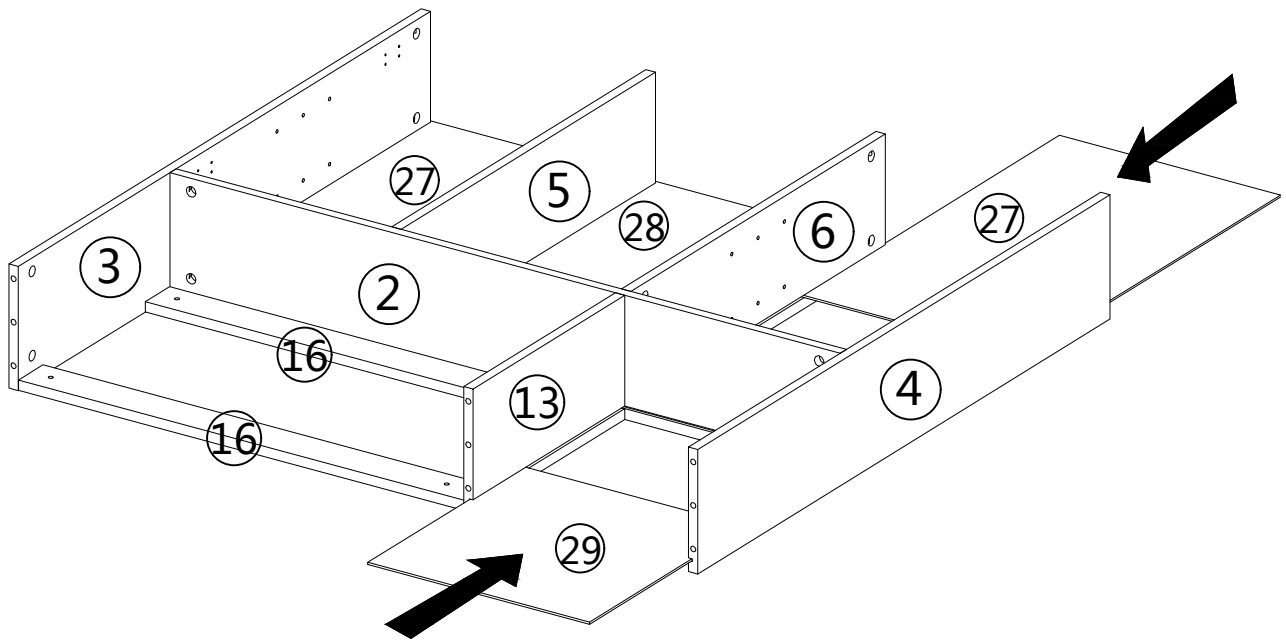
	A1 × 2PCS
---------------------------------------------------------------------------------------	-----------

STEP 10

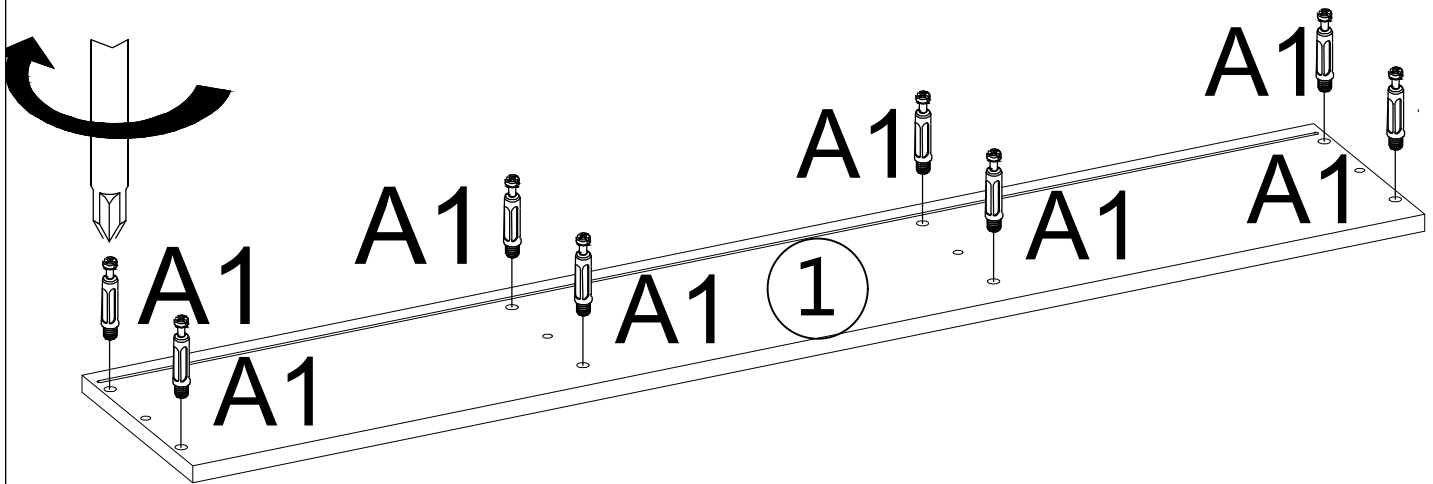



	A2 × 2PCS		B × 1PC
-------------------------------------------------------------------------------------	-----------	---------------------------------------------------------------------------------------	---------

STEP 11

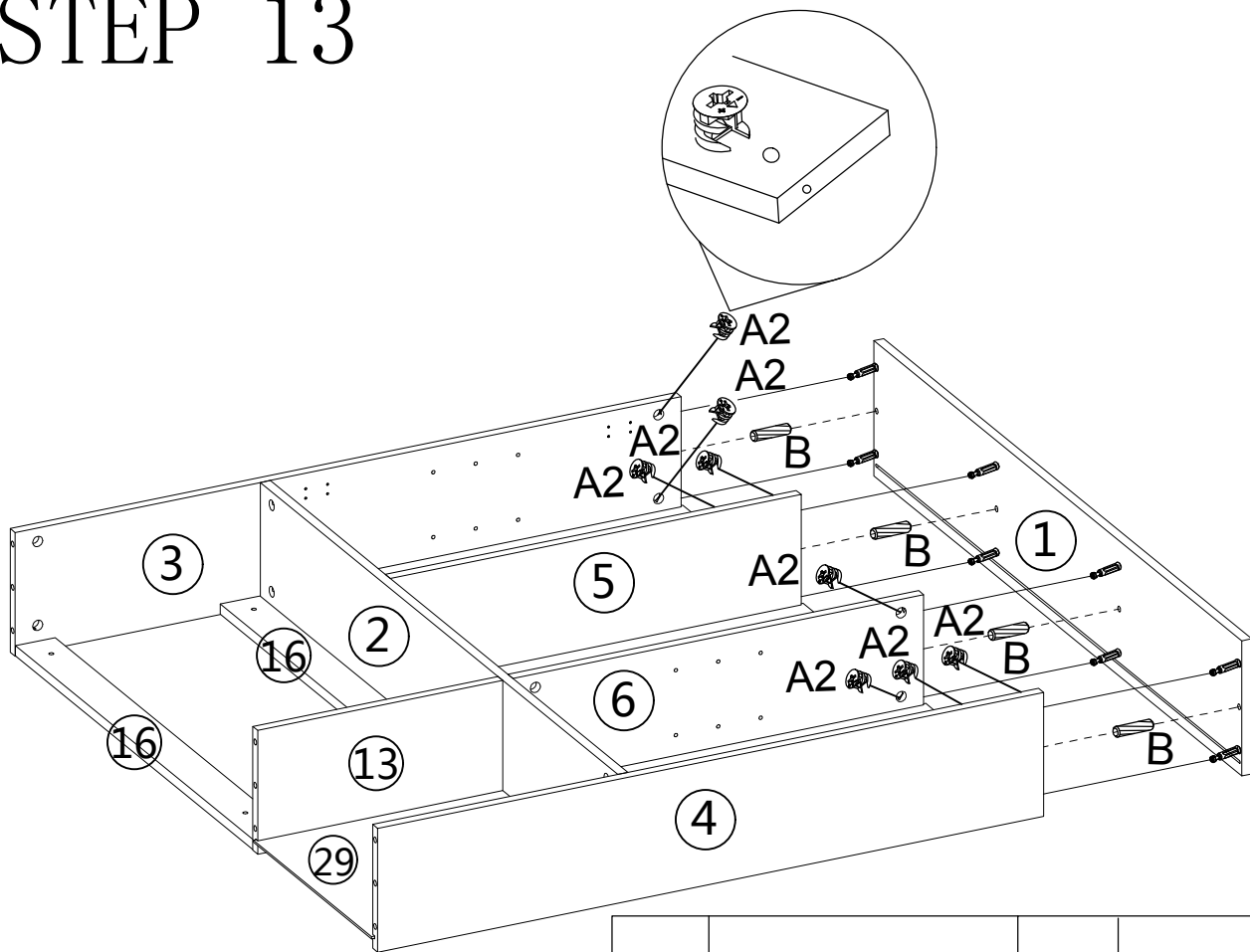


STEP 12

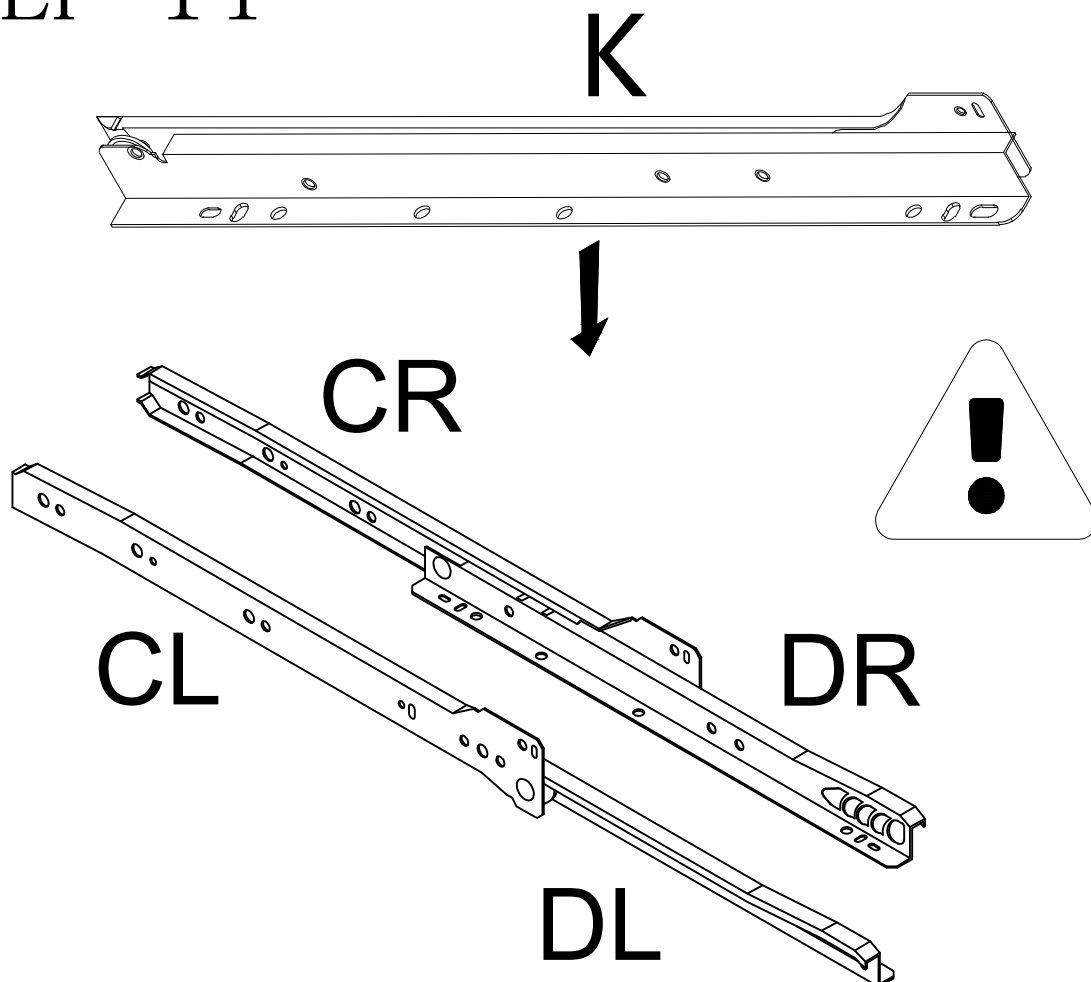


	A1 × 8PCS
---------------------------------------------------------------------------------------	-----------

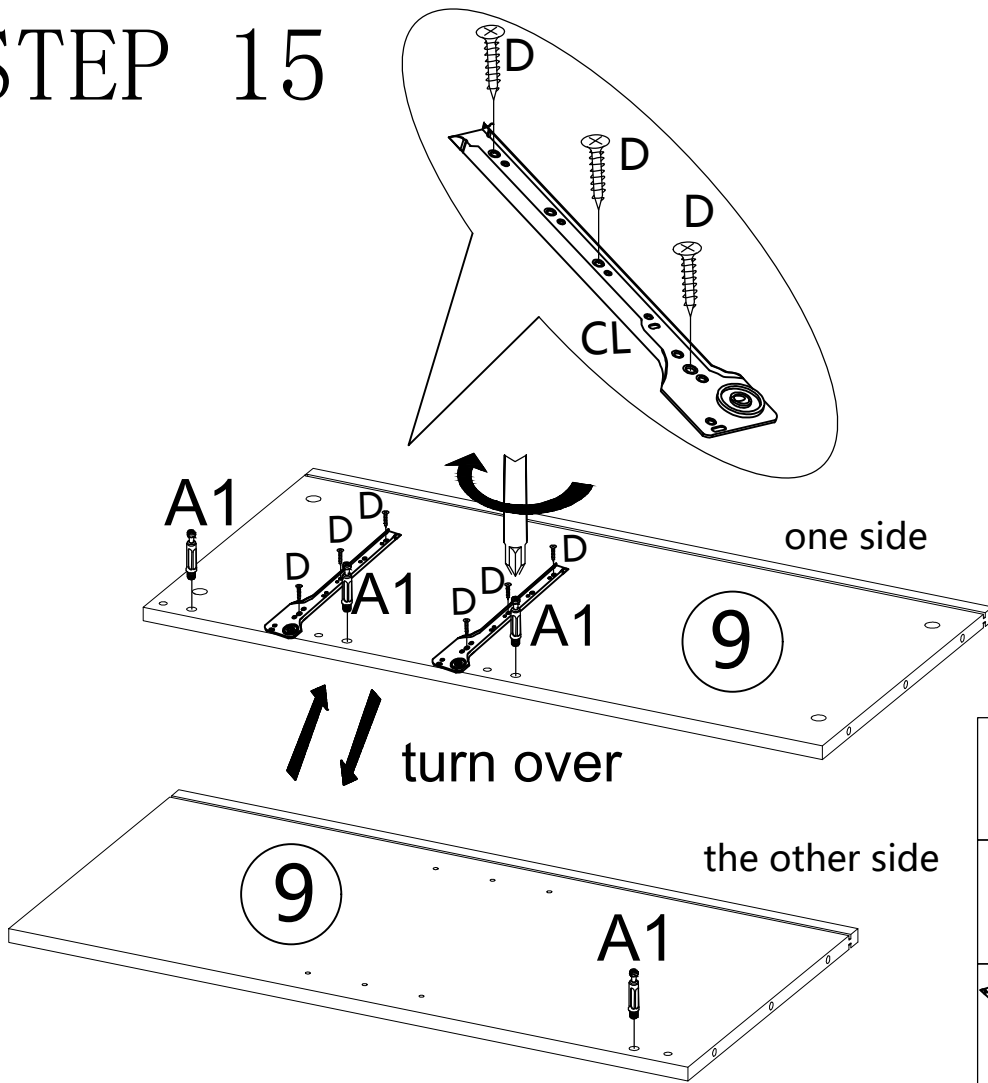
STEP 13






STEP 14

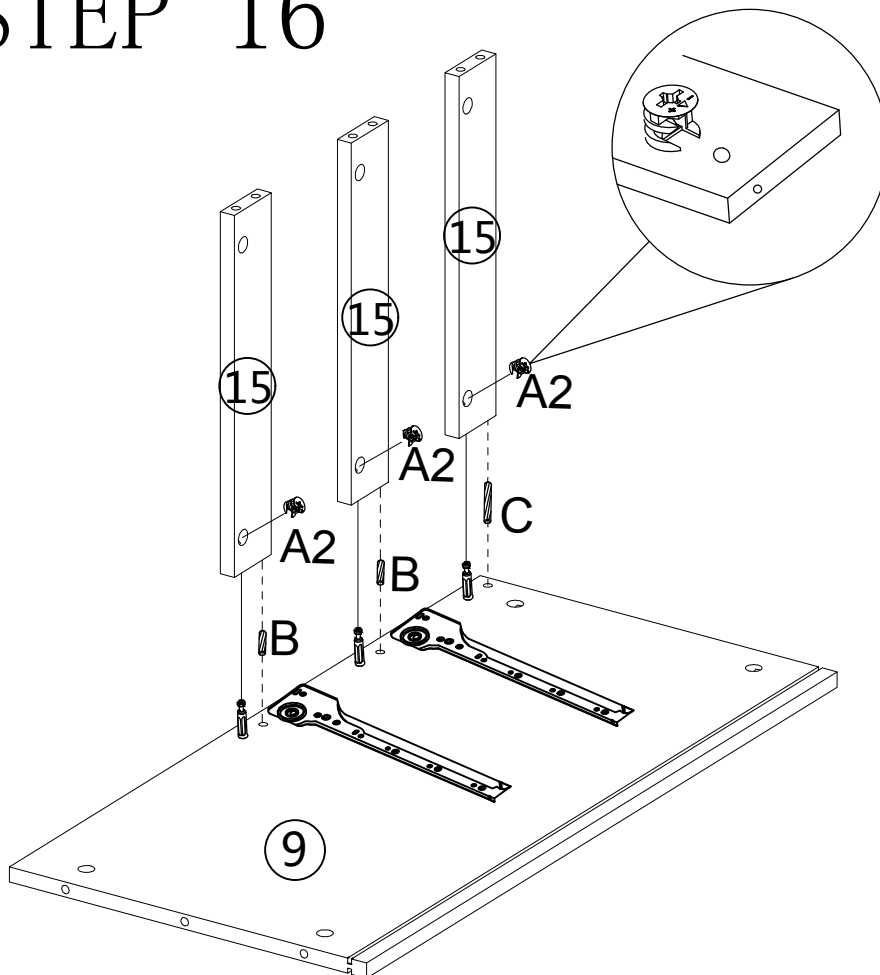





STEP 15



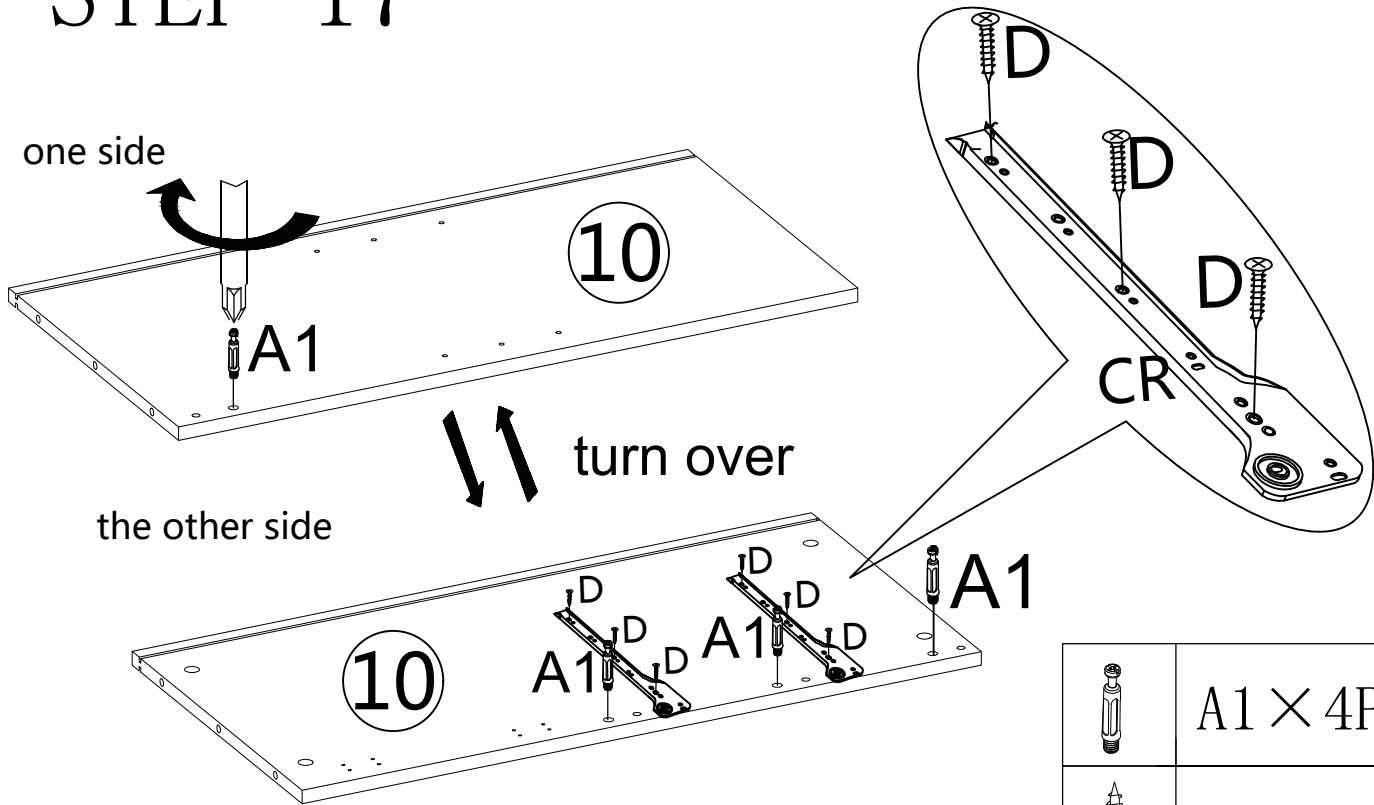
	A1 × 4PCS
	D × 6PCS
	CL × 2PCS




STEP 16



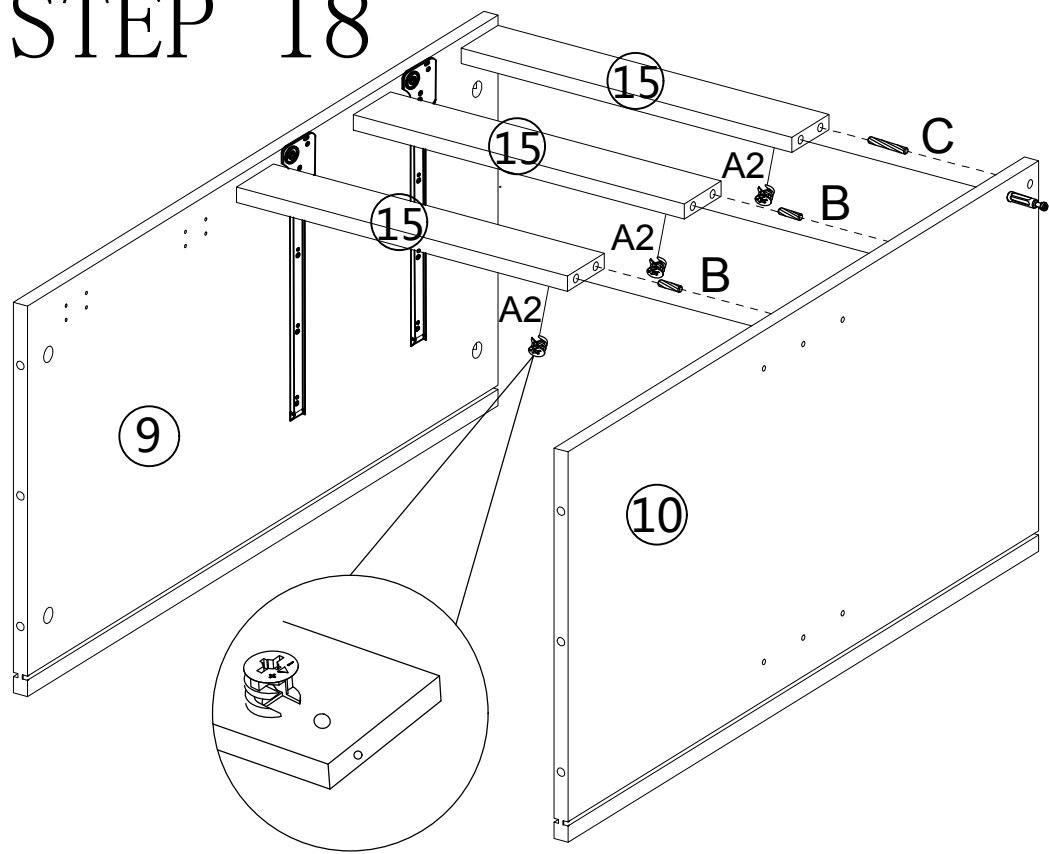
	A2 × 3PCS
	B × 2PCS
	C × 1PC




STEP 17



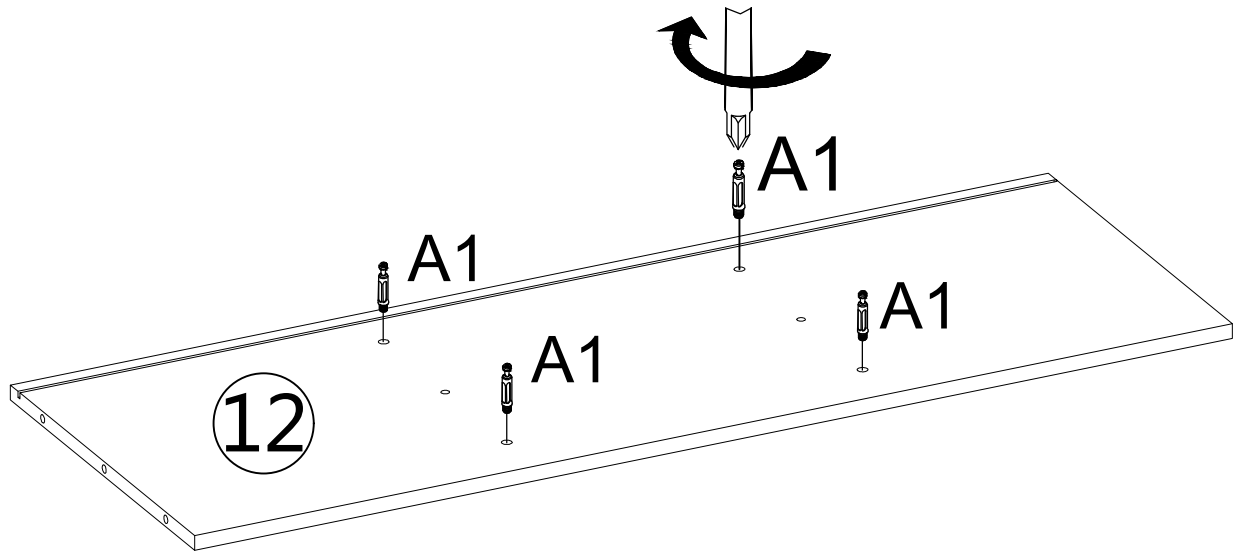
	A1 × 4PCS
	D × 6PCS
	CR × 2PCS


STEP 18



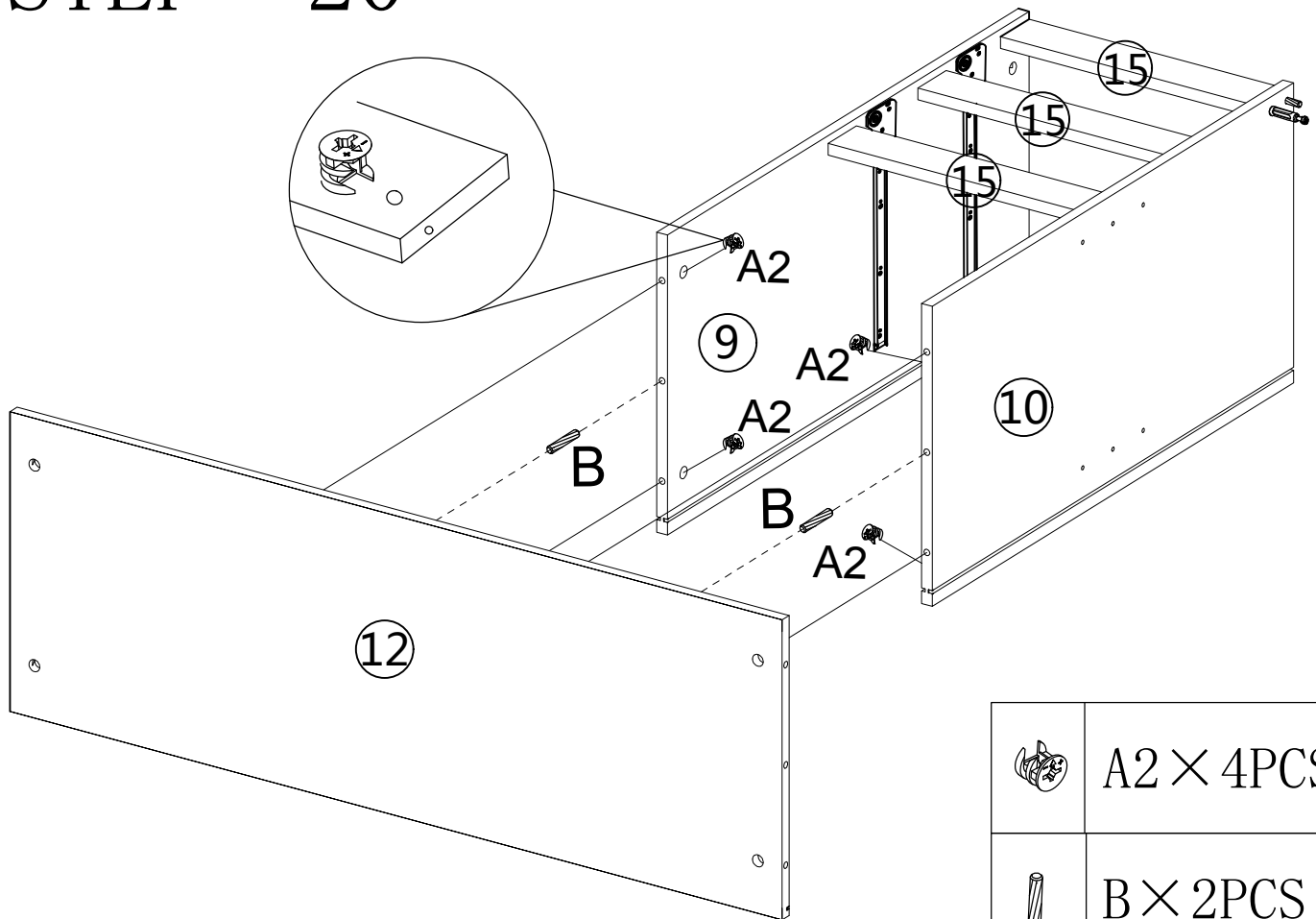
	A2 × 3PCS		B × 2PCS		C × 1PC
-------------------------------------------------------------------------------------	-----------	-------------------------------------------------------------------------------------	----------	---------------------------------------------------------------------------------------	---------



STEP 19



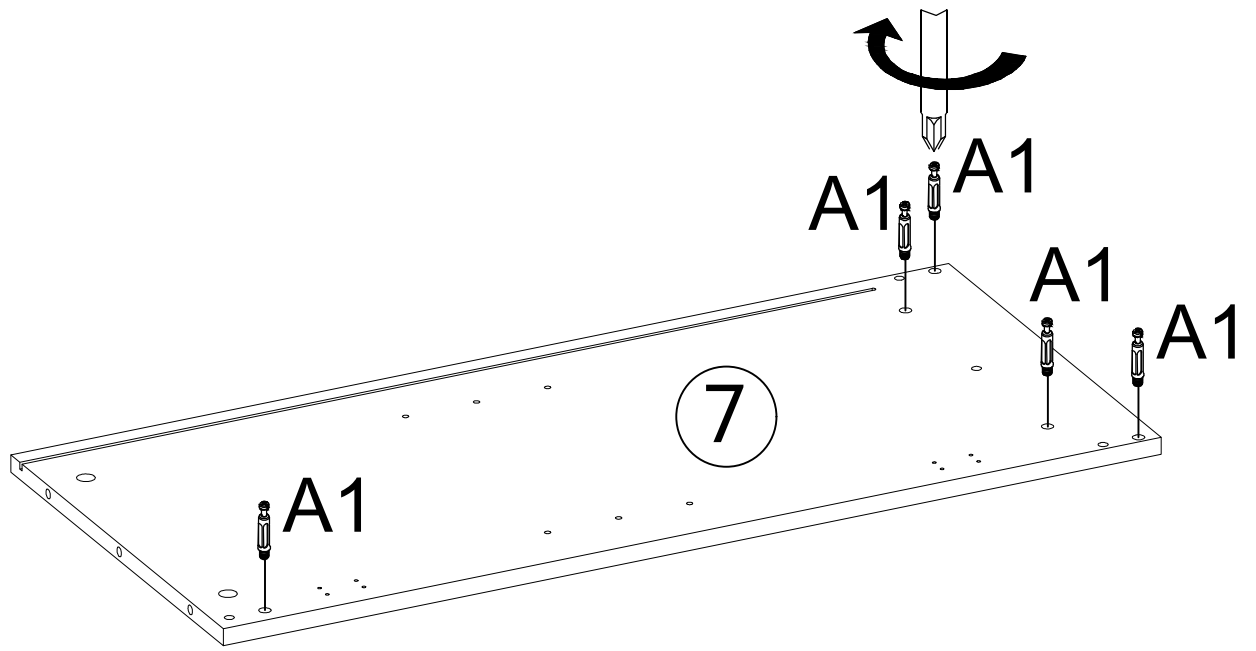
	A1 × 4PCS
---------------------------------------------------------------------------------------	-----------


STEP 20



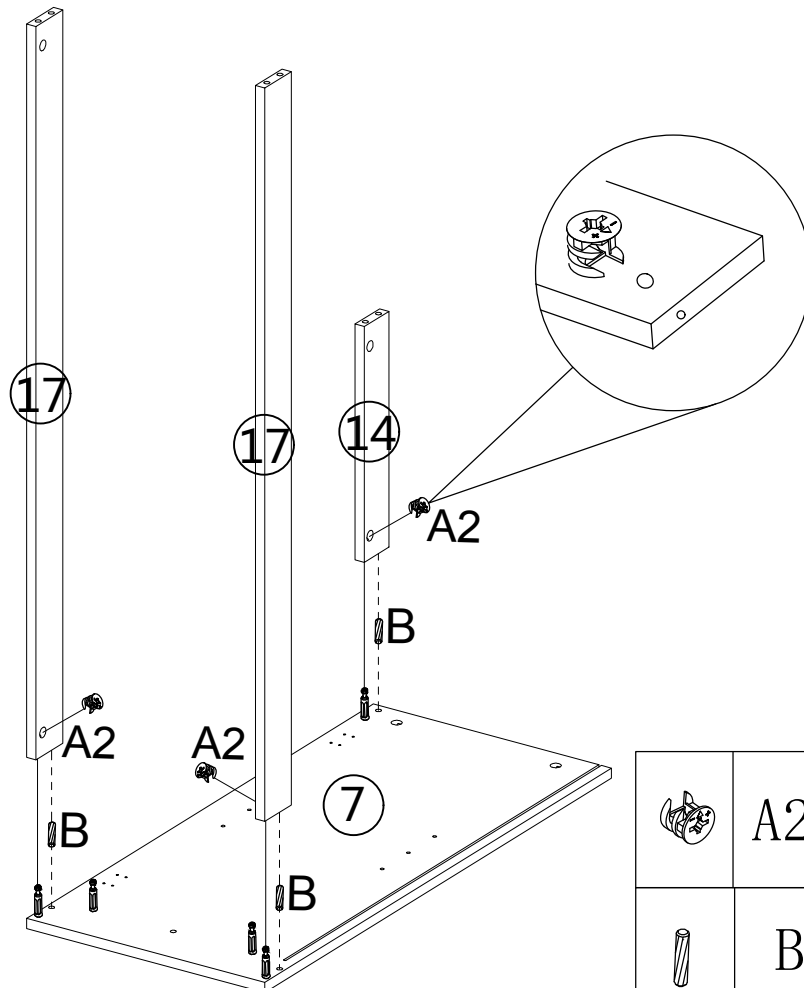
	A2 × 4PCS
	B × 2PCS



STEP 21



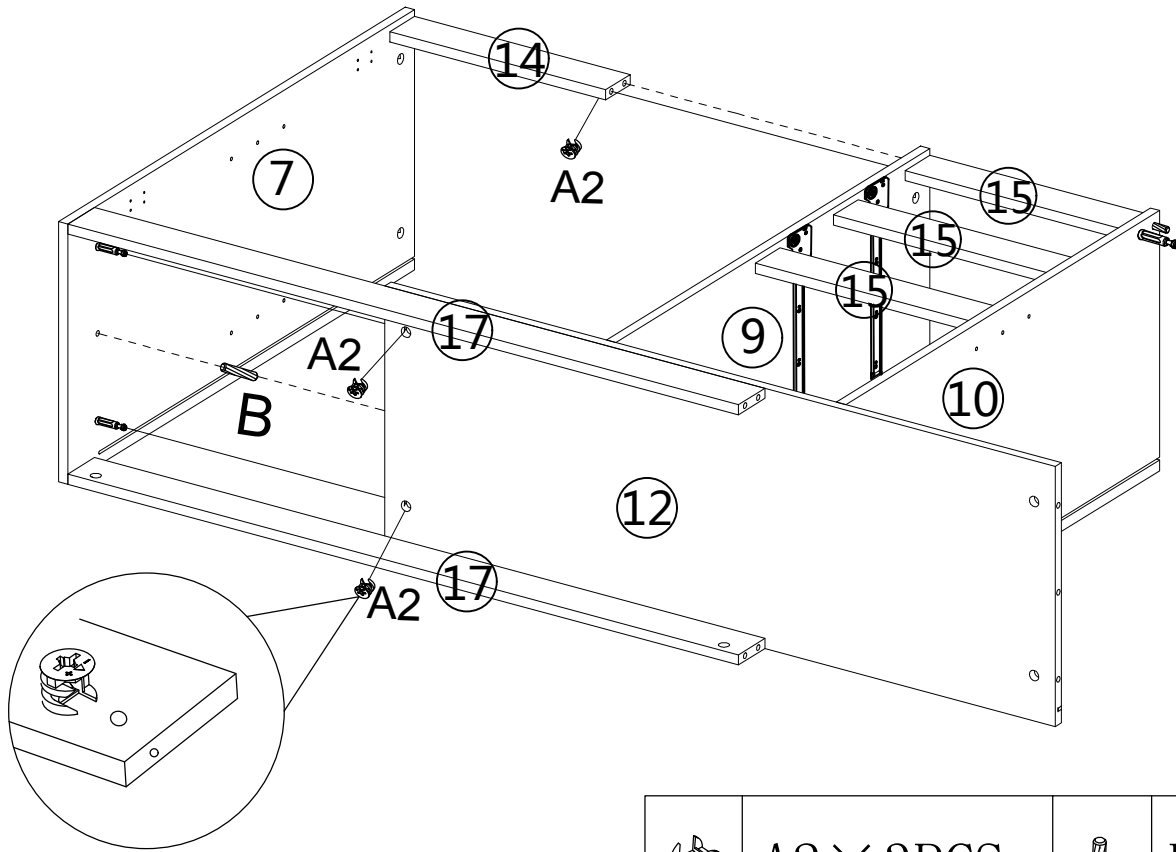
	A1 × 5PCS
---------------------------------------------------------------------------------------	-----------



STEP 22



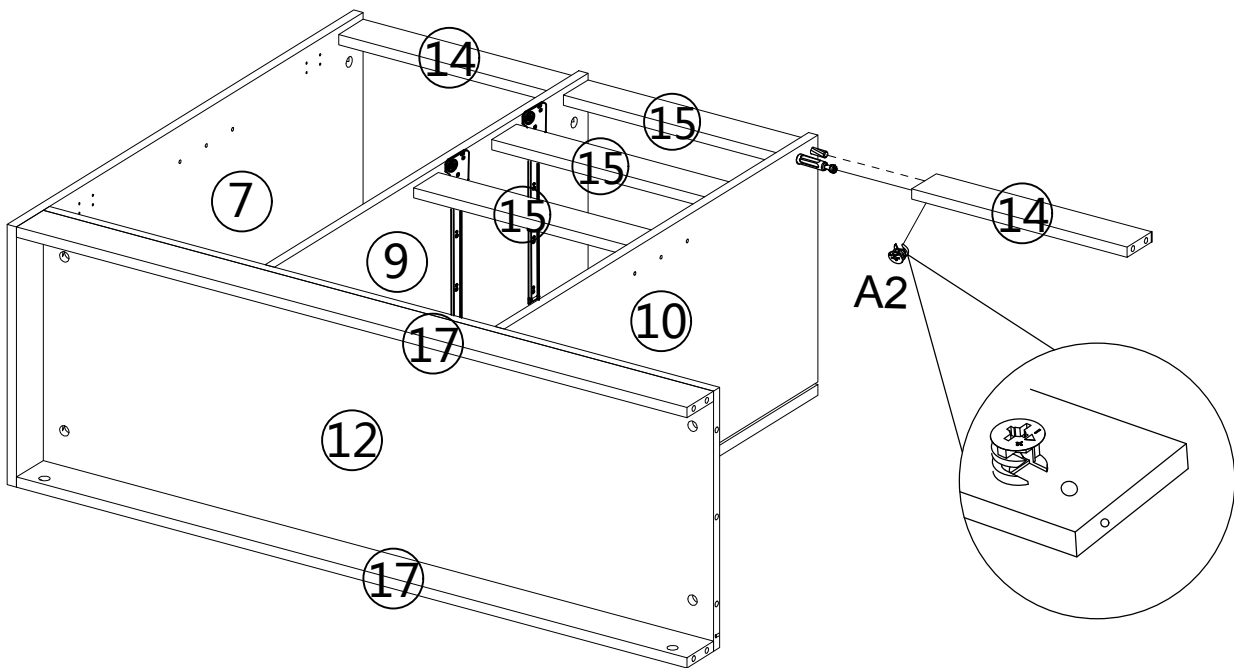
	A2 × 3PCS
	B × 3PCS


STEP 23



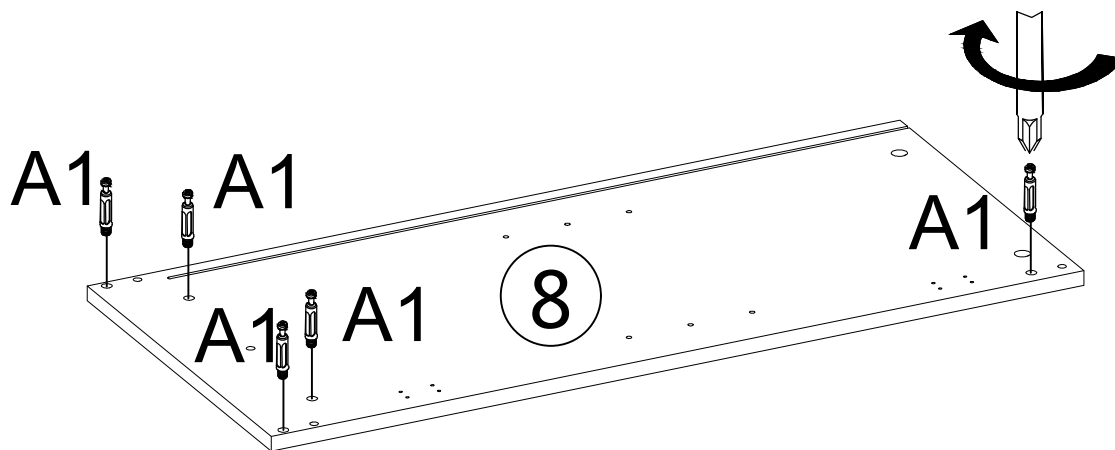
	A2 × 3PCS		B × 1PC
-------------------------------------------------------------------------------------	-----------	---------------------------------------------------------------------------------------	---------


STEP 24



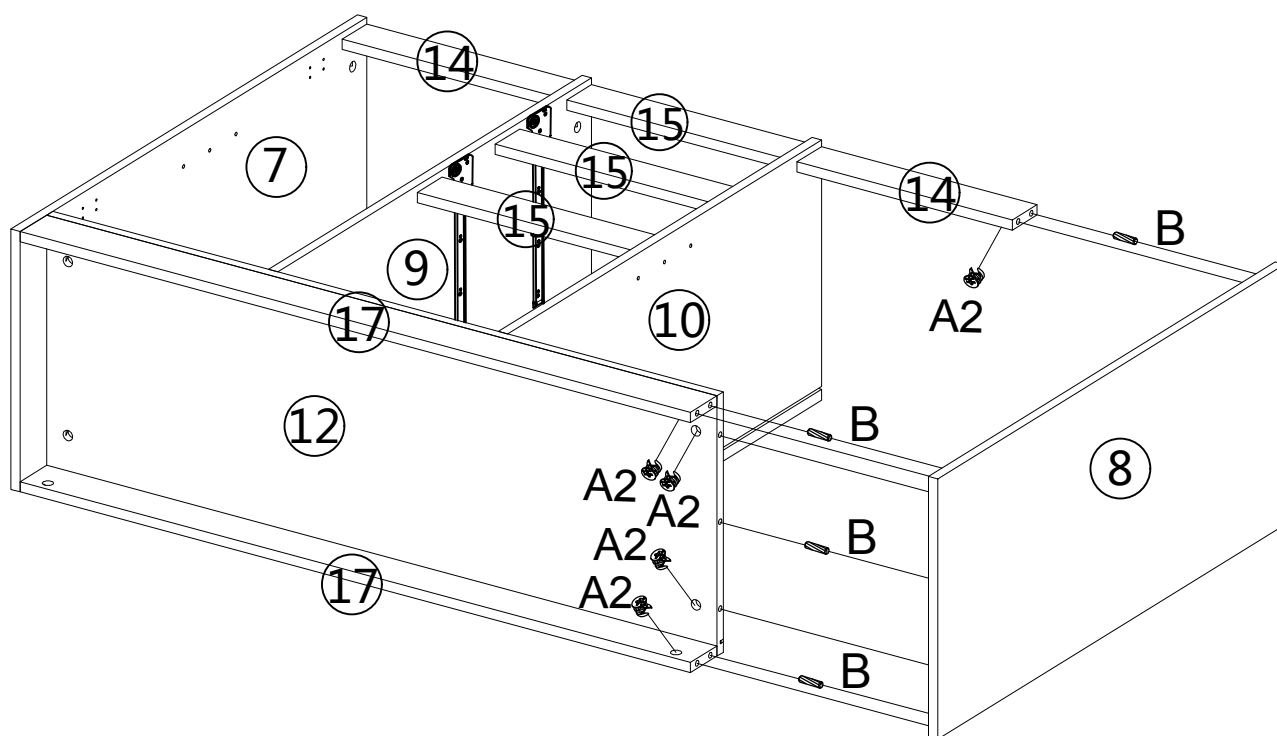
	A2 × 1PC
---------------------------------------------------------------------------------------	----------



STEP 25



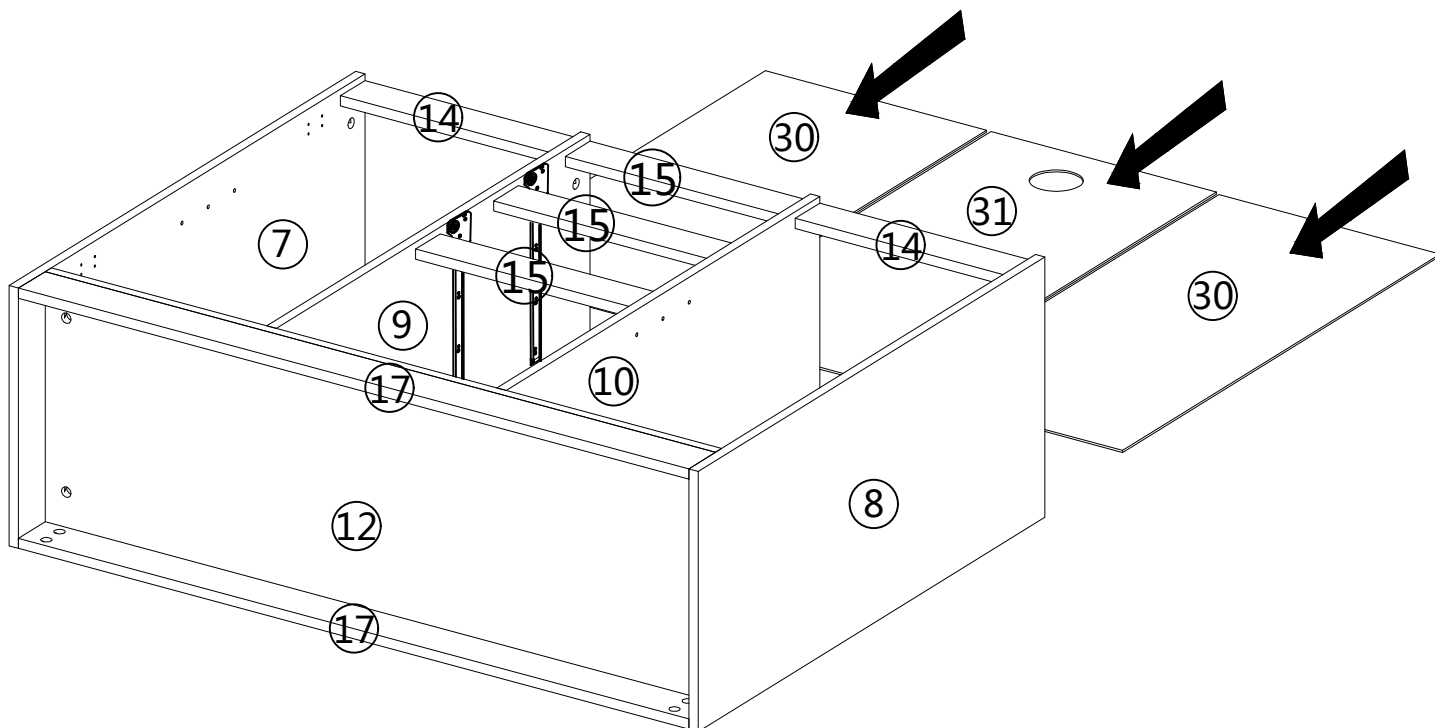
	A1 × 5PCS
---------------------------------------------------------------------------------------	-----------

STEP 26

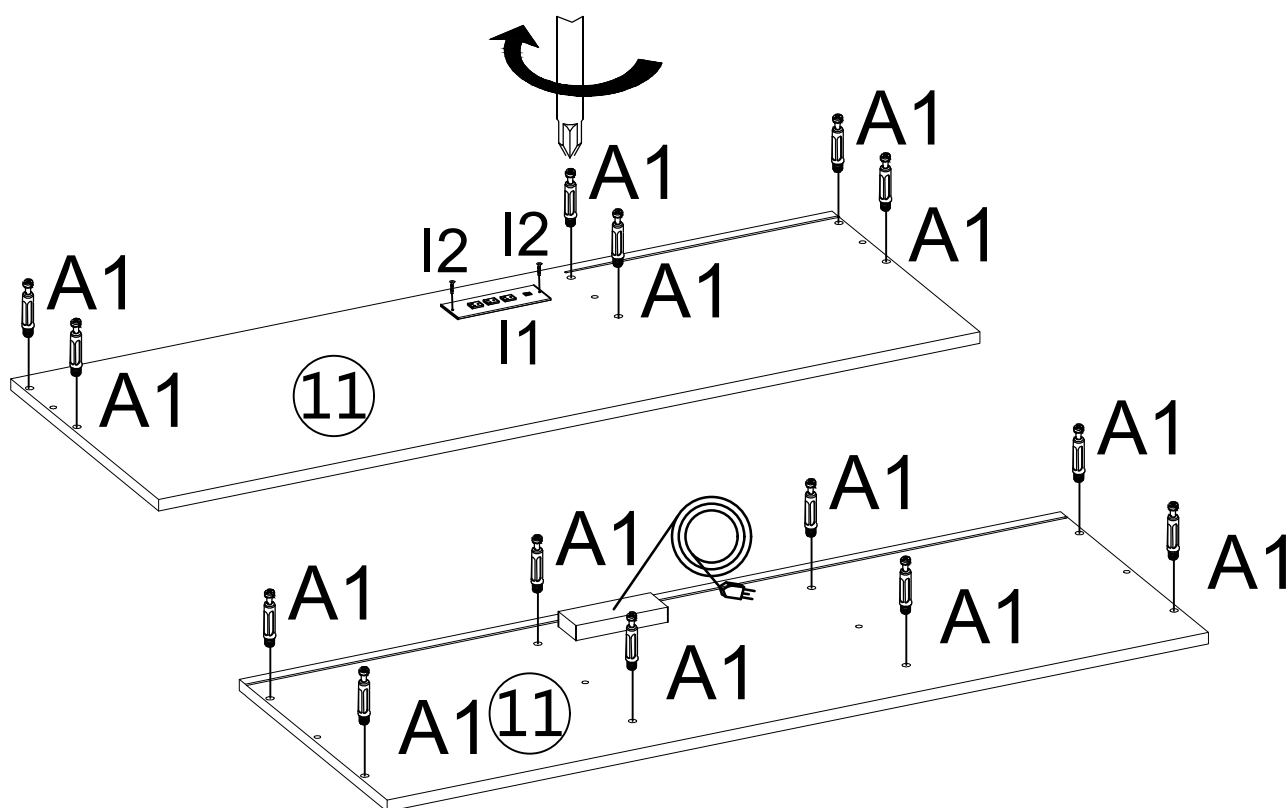





	A2 × 5PCS		B × 4PCS
-------------------------------------------------------------------------------------	-----------	---------------------------------------------------------------------------------------	----------

STEP 27

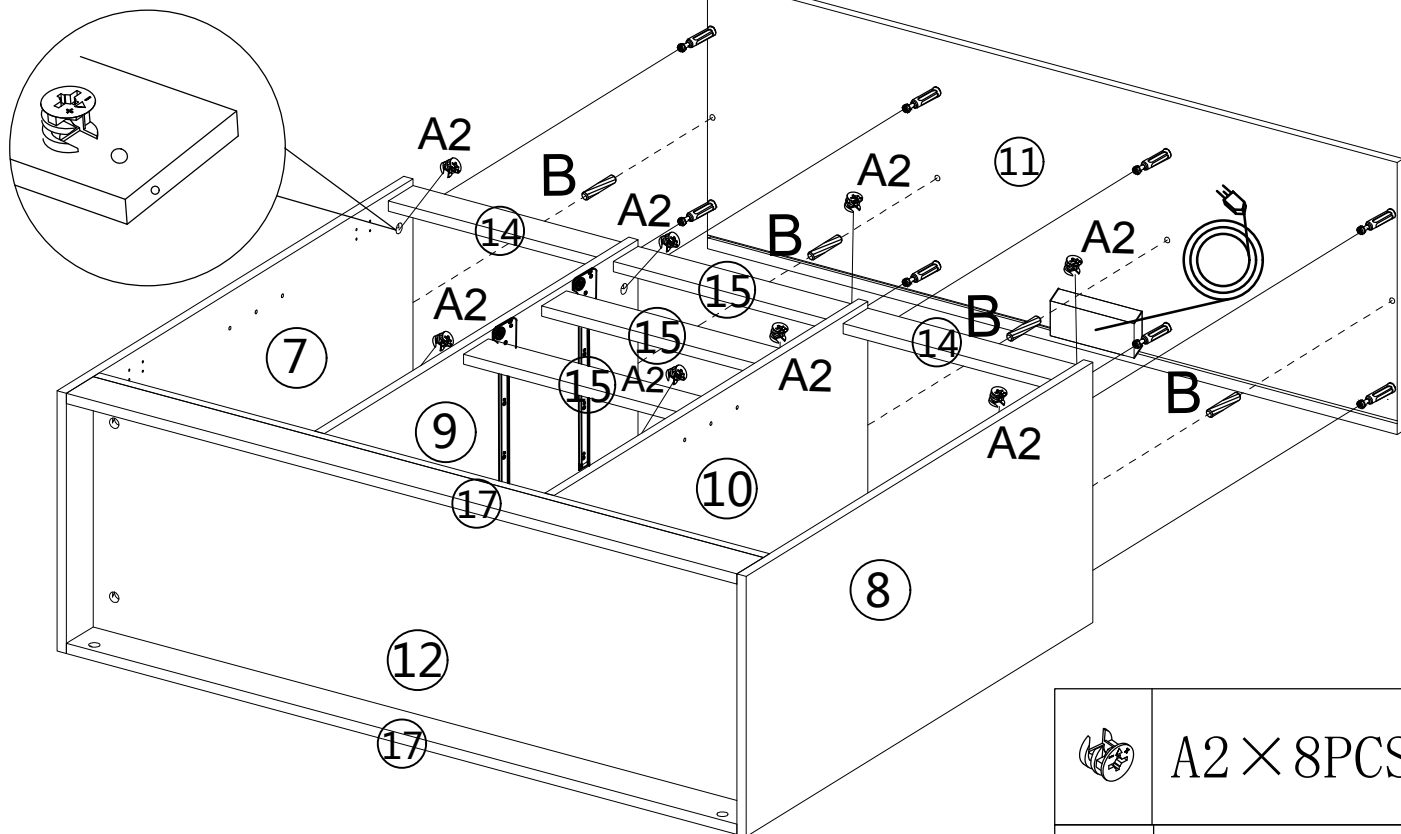




STEP 28



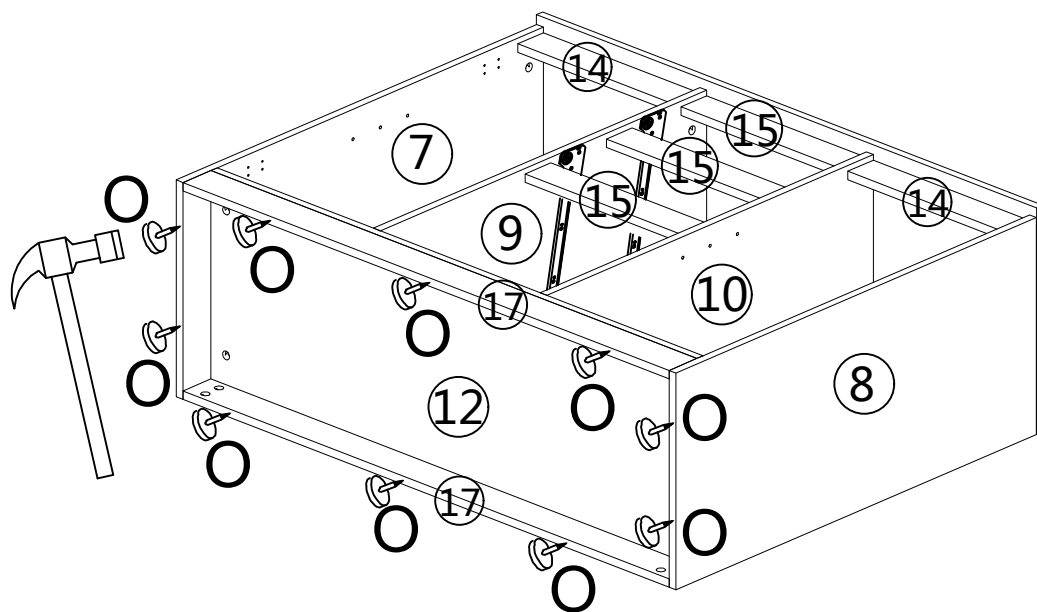
	A1 × 14PCS		I1 × 1PC		I2 × 2PCS
-------------------------------------------------------------------------------------	------------	-------------------------------------------------------------------------------------	----------	---------------------------------------------------------------------------------------	-----------


STEP 29



	A2 × 8PCS
	B × 4PCS

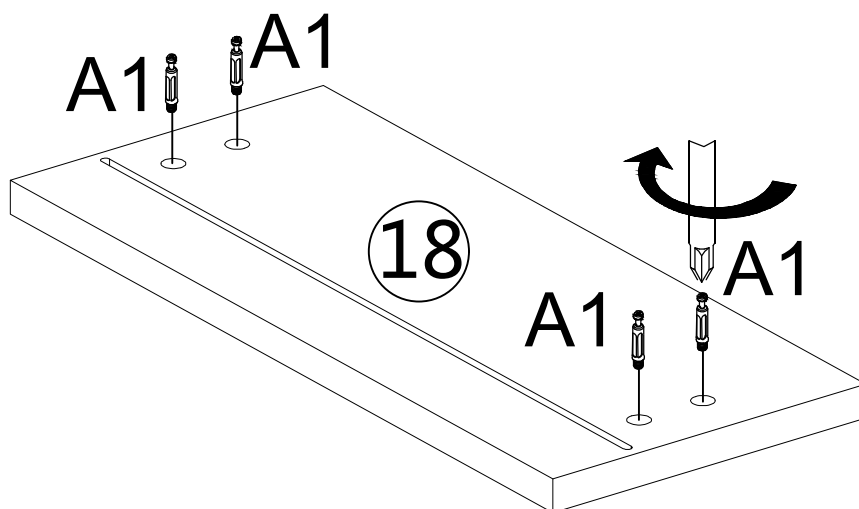
STEP 30




	0 × 10PCS
---------------------------------------------------------------------------------------	-----------

STEP 32

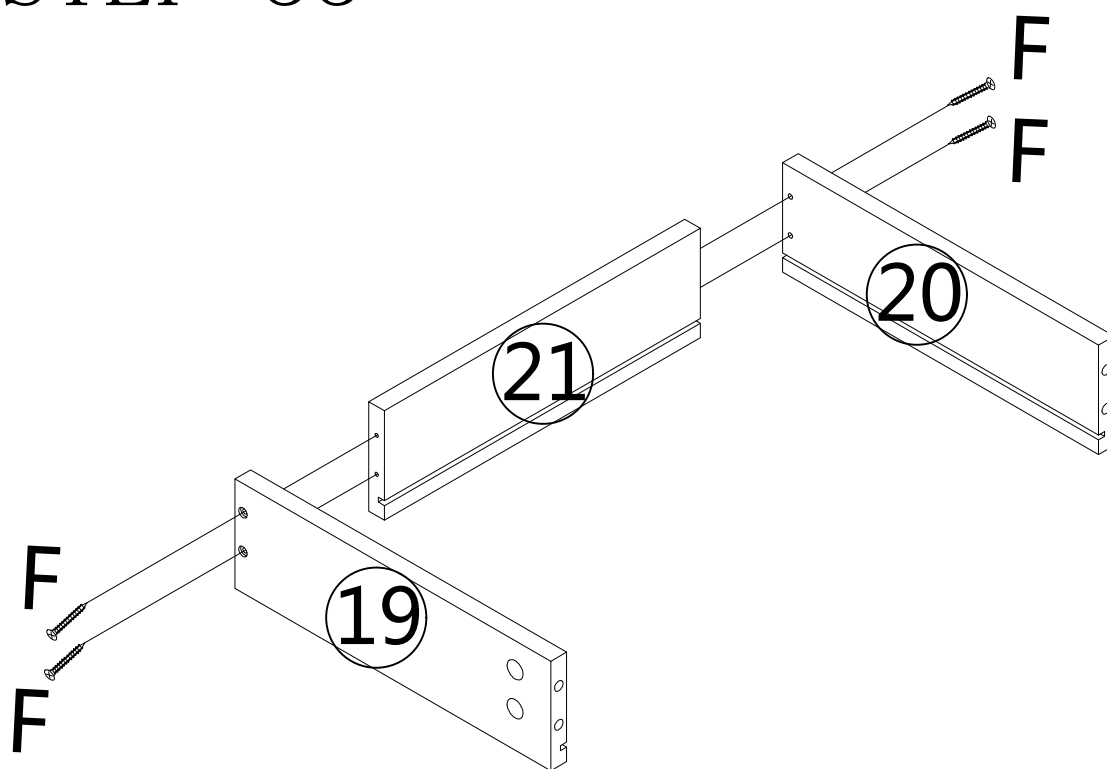
X2




	A1 × 4PCS
---------------------------------------------------------------------------------------	-----------

STEP 33

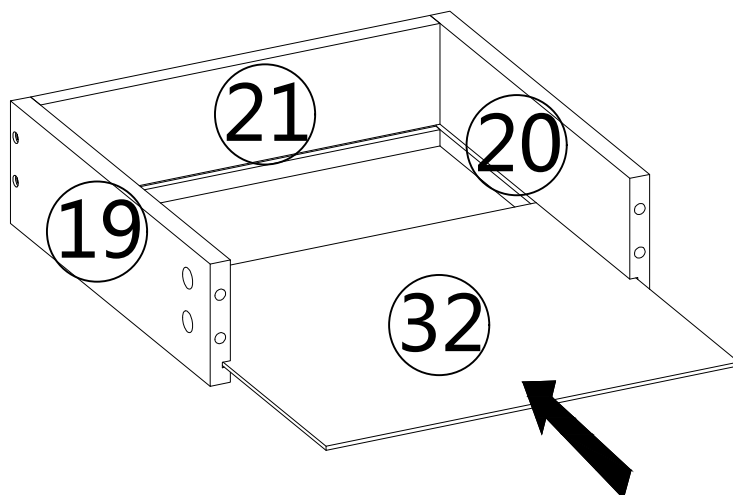
X2



	F × 4PCS
---------------------------------------------------------------------------------------	----------

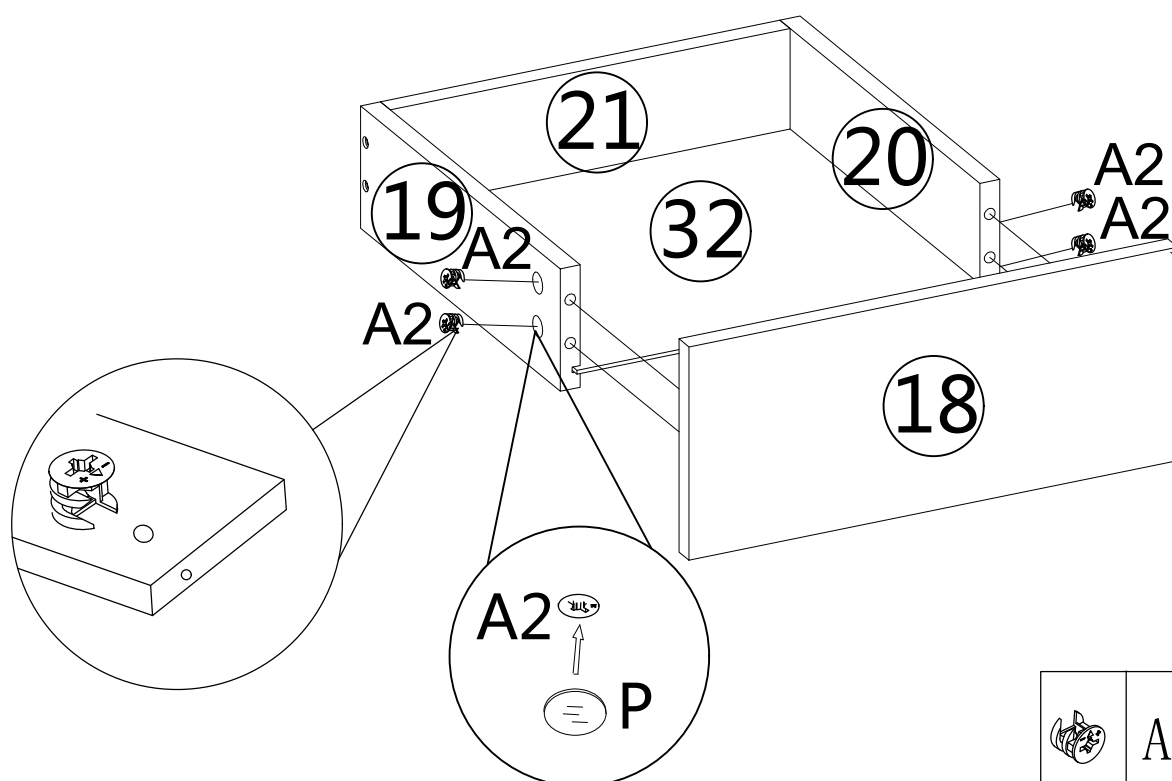
STEP 34



X2



STEP 35

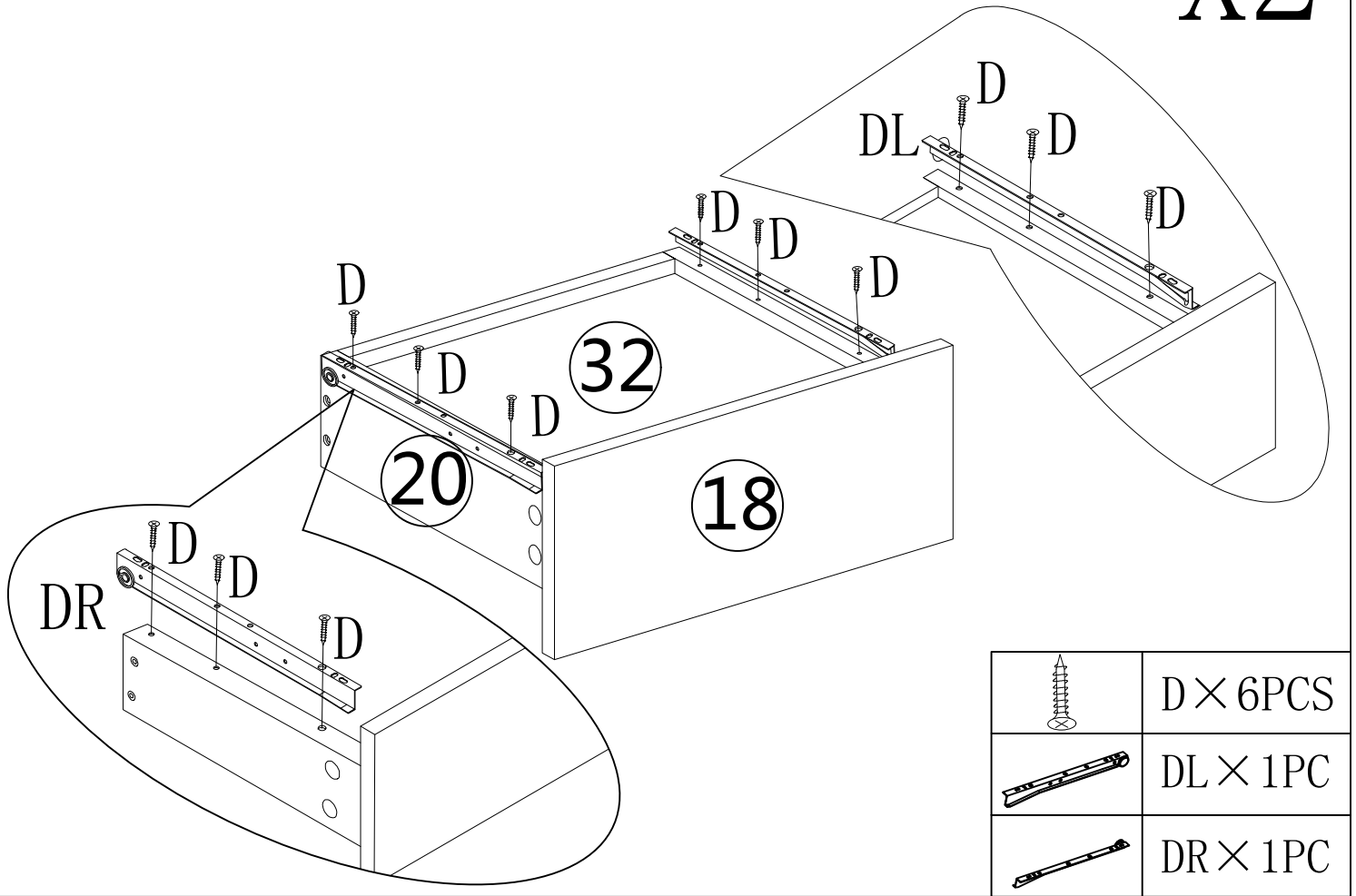
X2



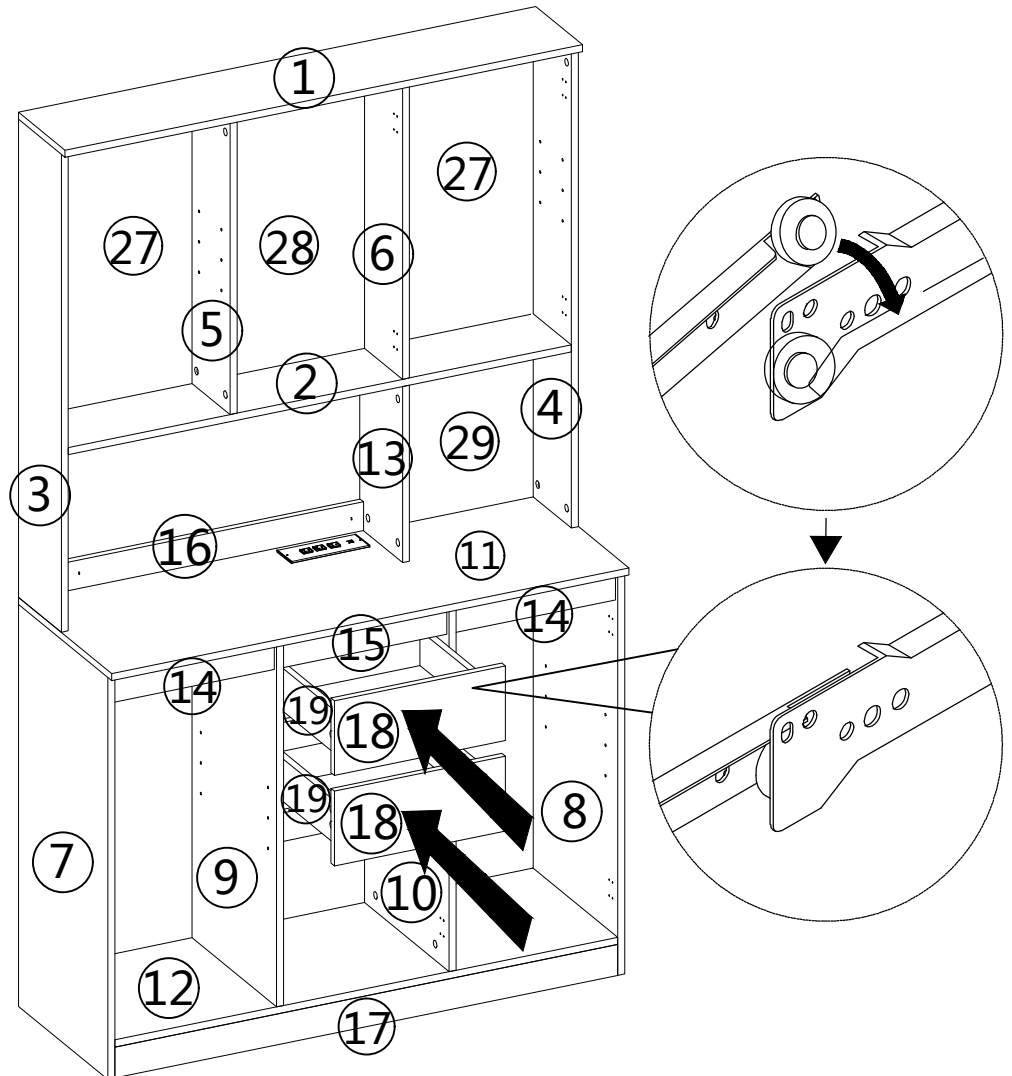
	A2 × 4PCS
	P × 4PCS

STEP 36

X2

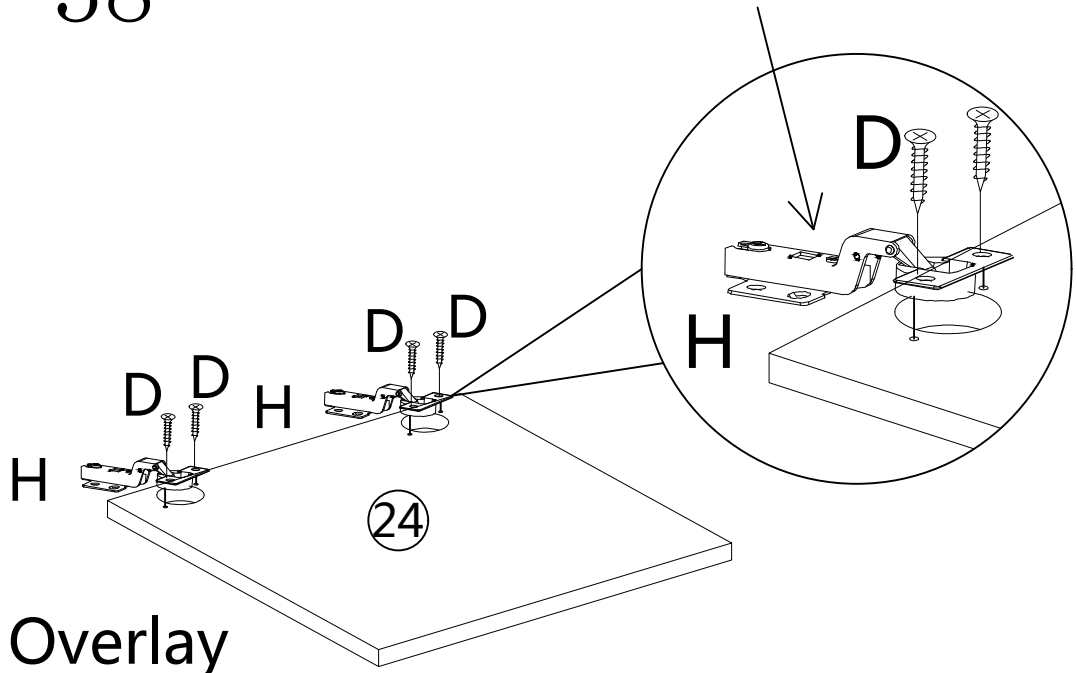


STEP 37





STEP 38

Half Overlay

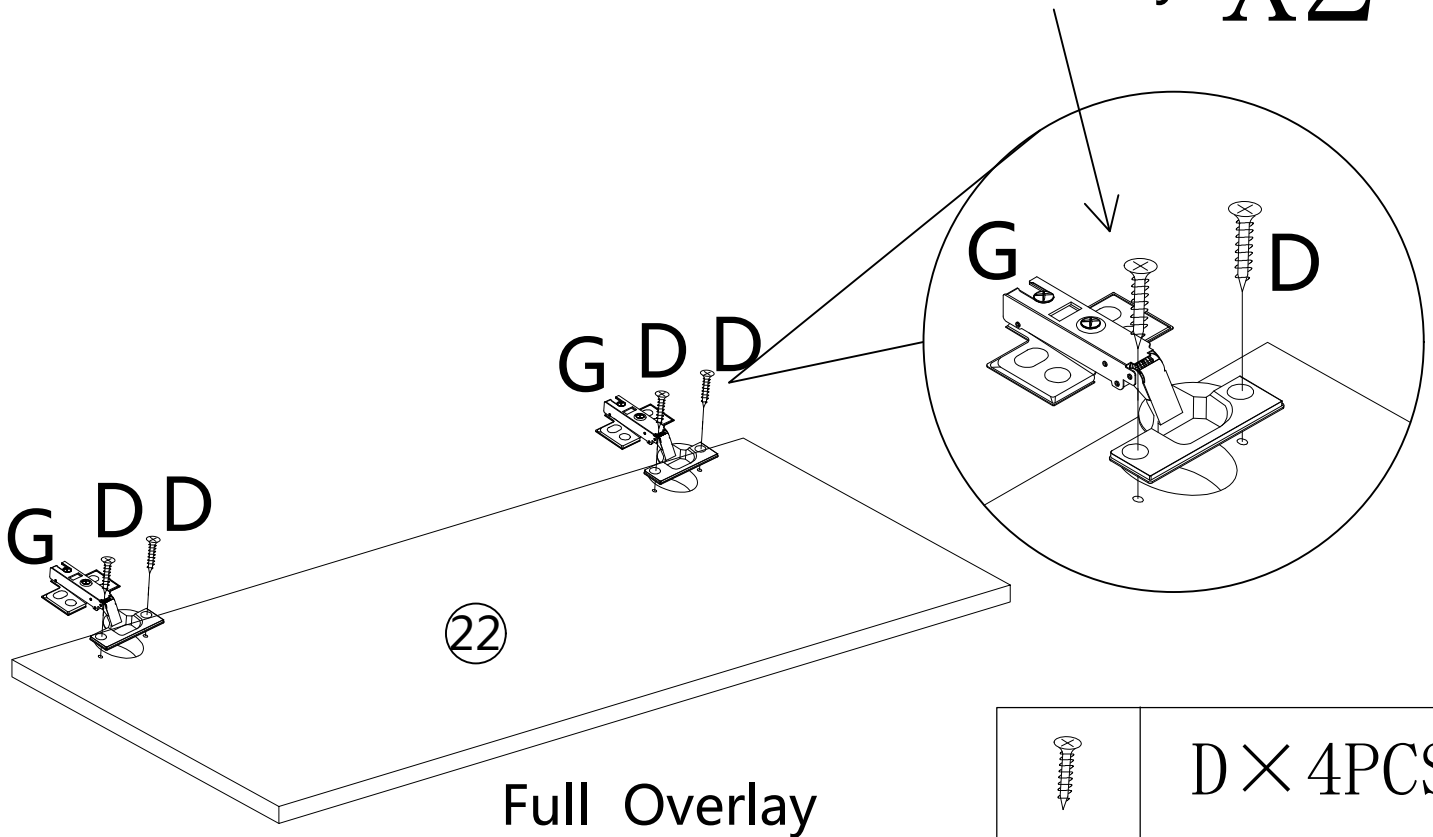


Half Overlay


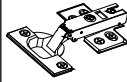
	D × 4PCS
	H × 2PCS

STEP 39

Full Overlay X2

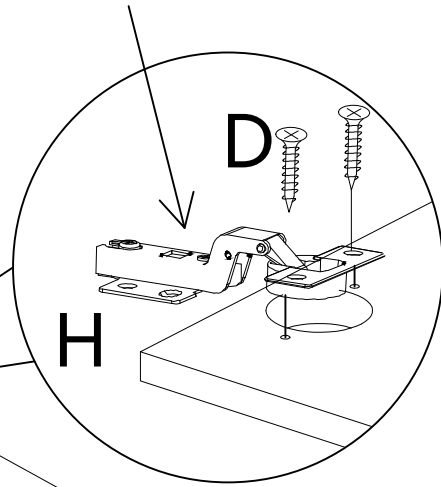
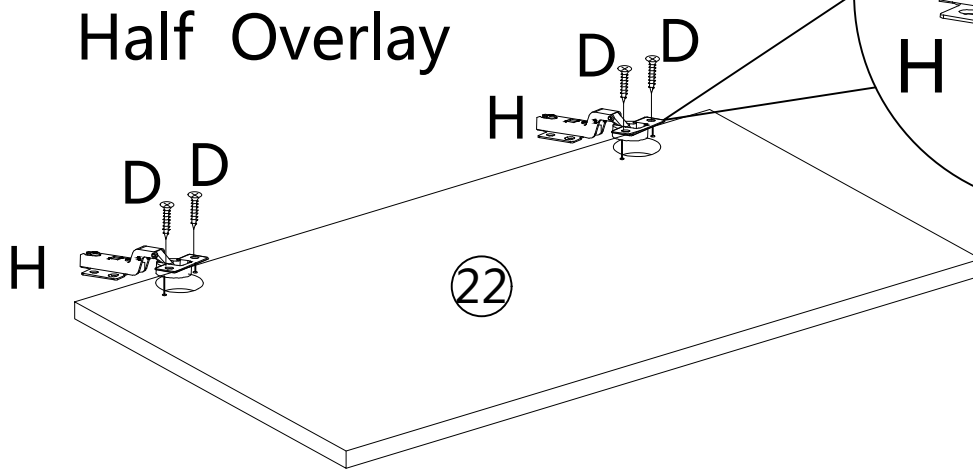




Full Overlay

	D × 4PCS
	G × 2PCS

STEP 40

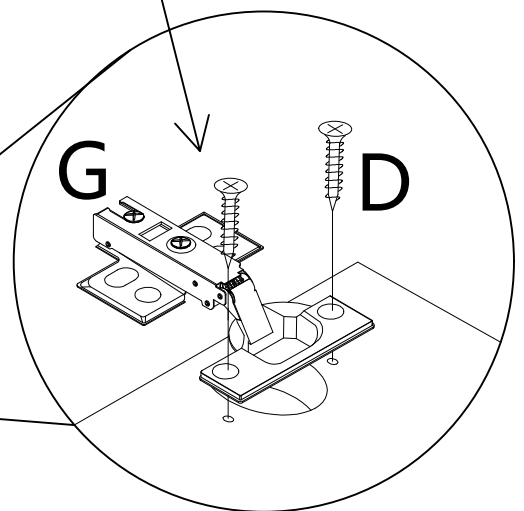
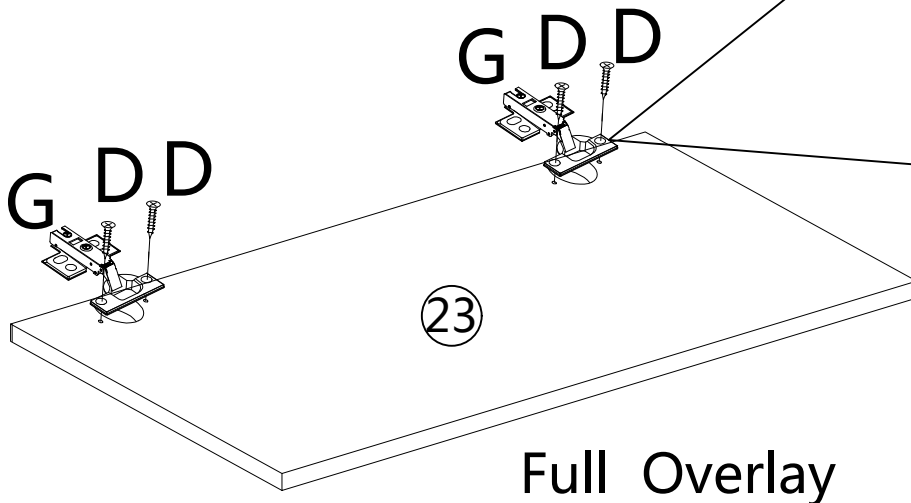
Half Overlay


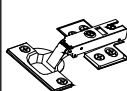


	D × 4PCS
	H × 2PCS

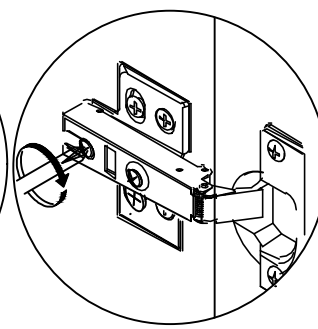
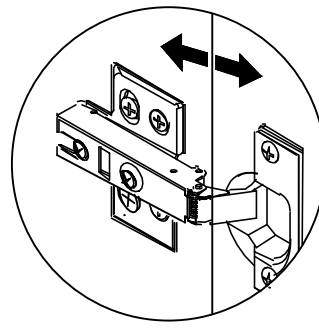
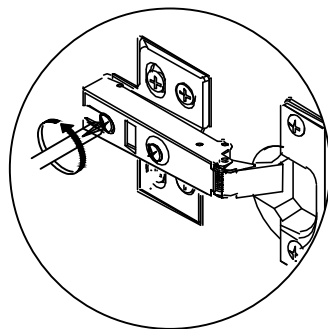
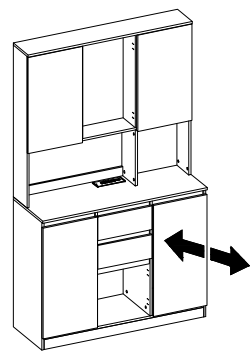
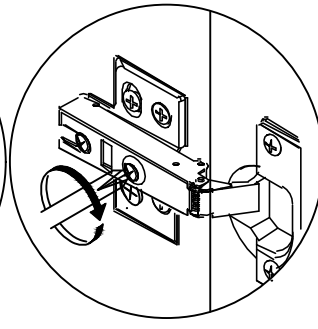
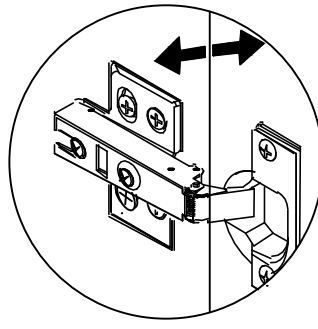
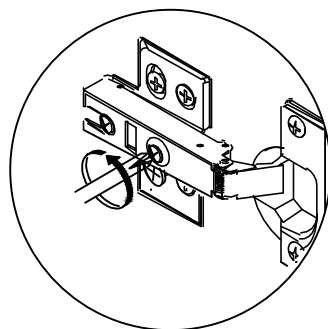
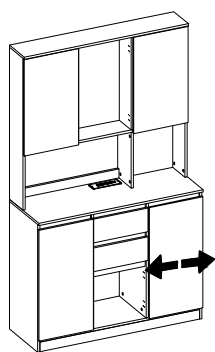
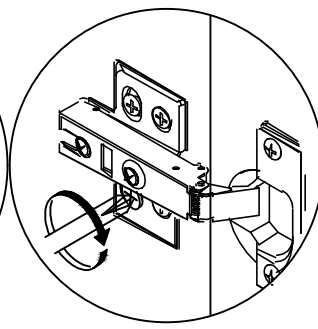
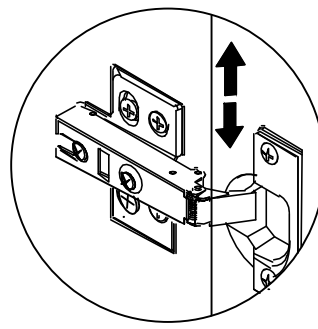
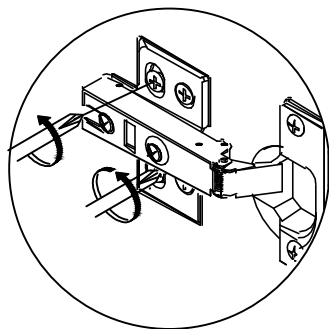
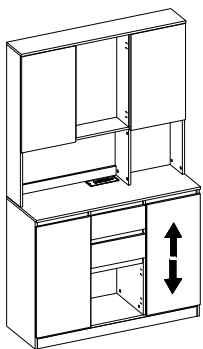
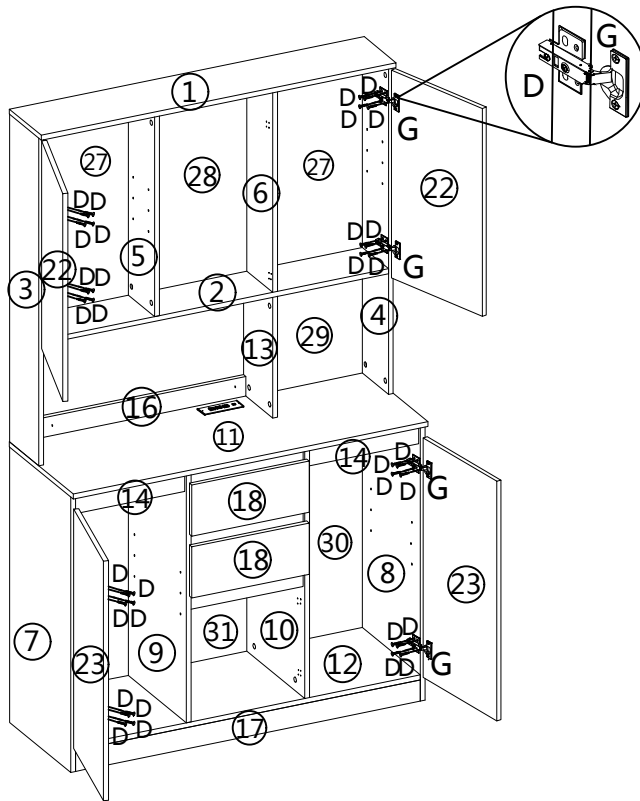
STEP 41

Full Overlay X2



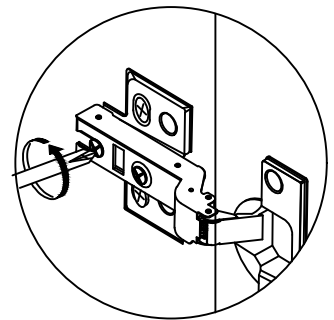
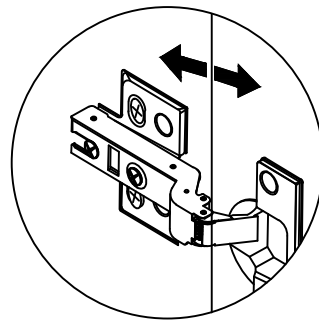
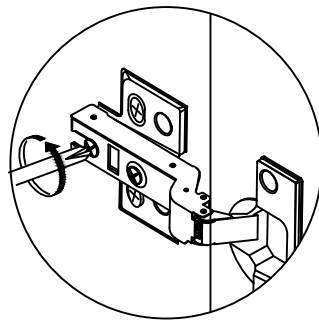
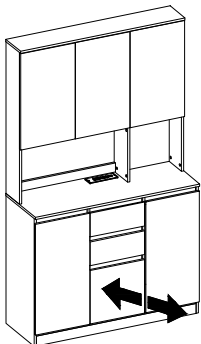
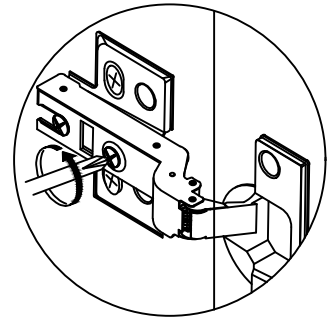
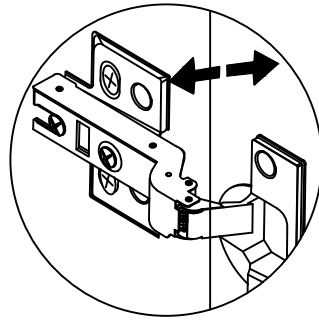
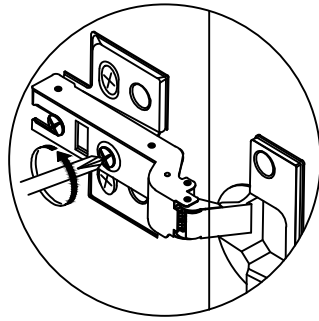
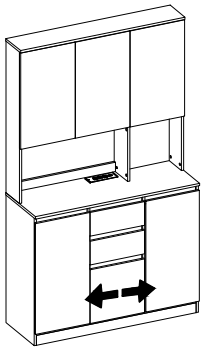
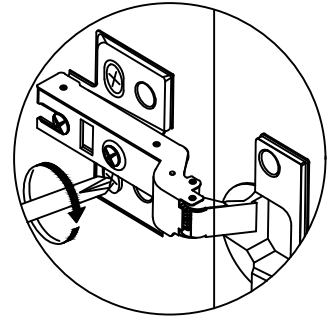
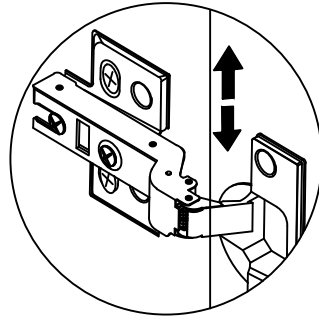
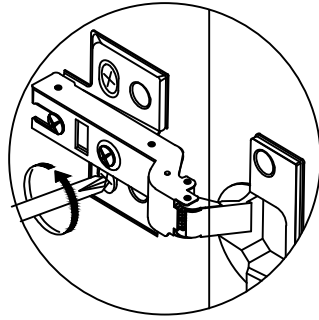
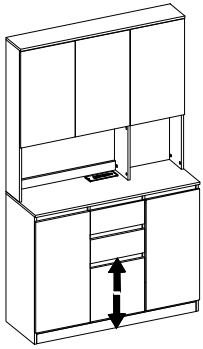
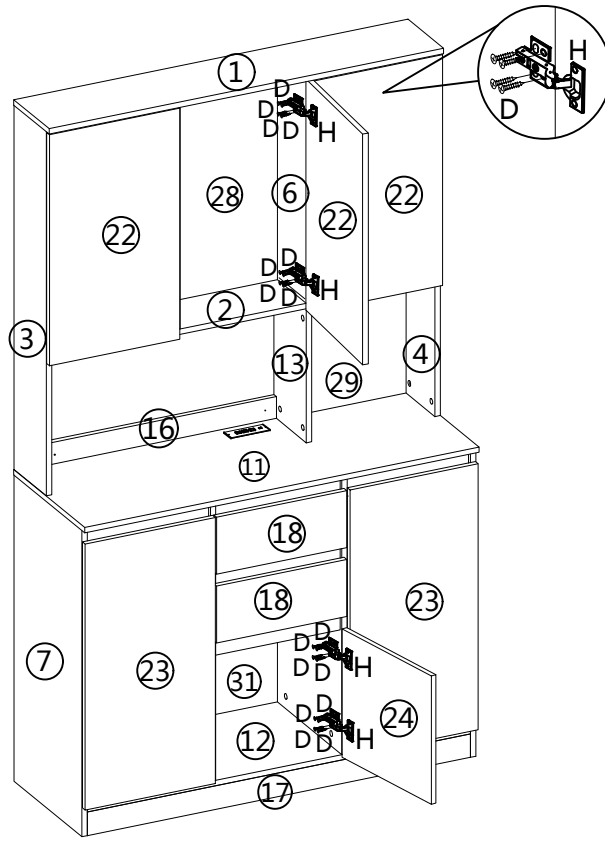
	D × 4PCS
	G × 2PCS


STEP 42



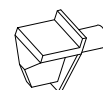
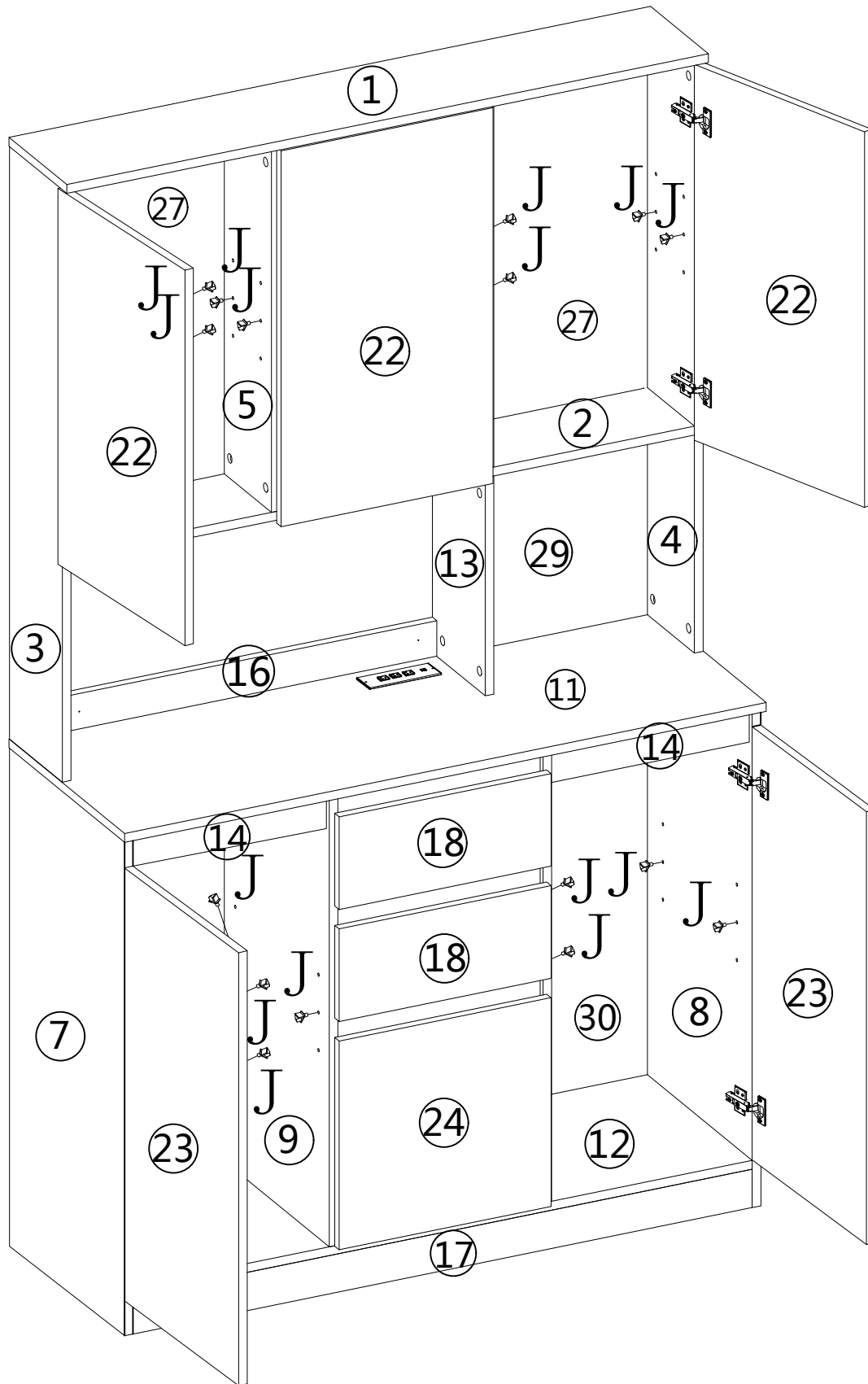
D × 32PCS

STEP 43



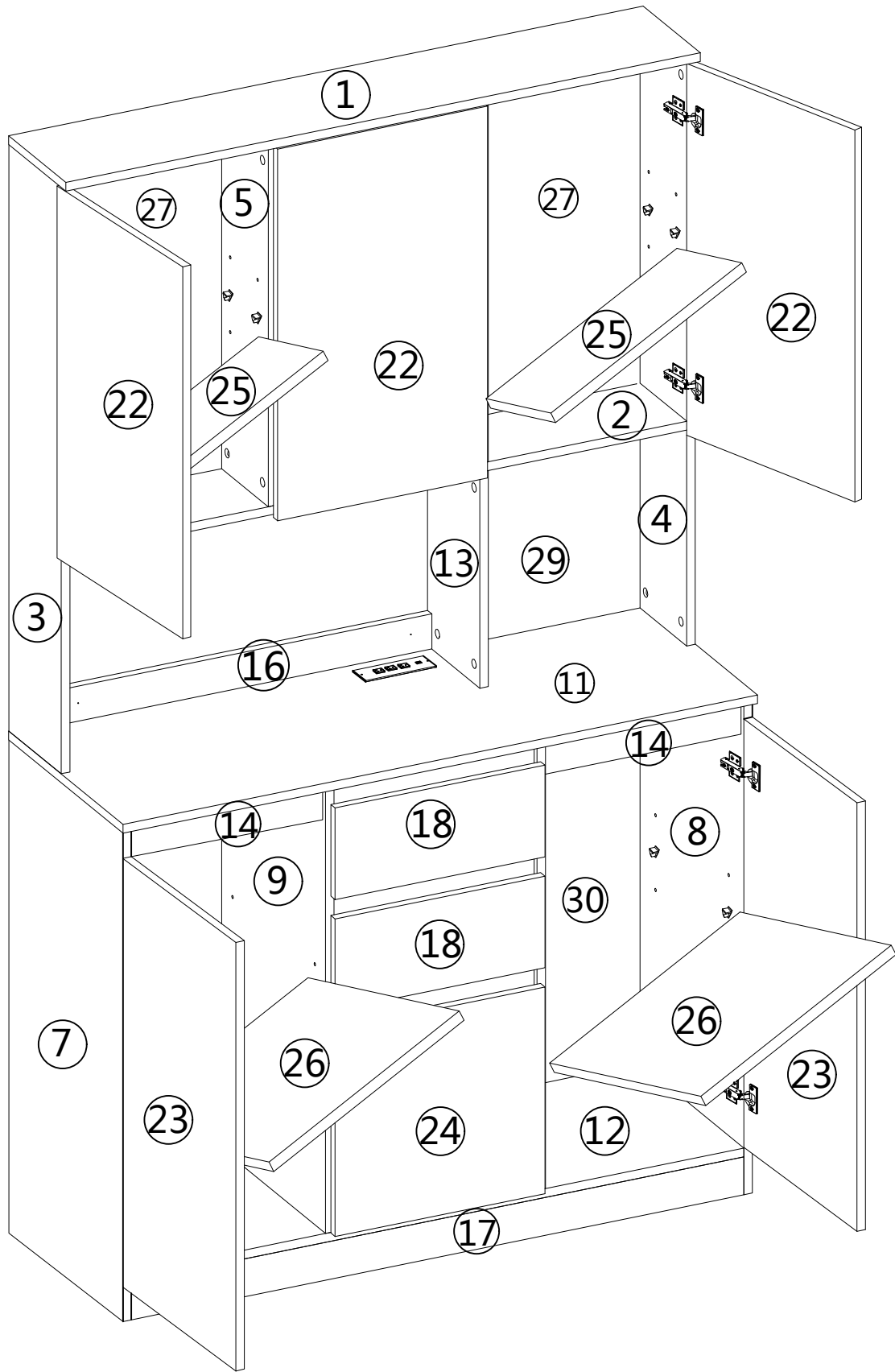
 D × 16PCS

STEP 44

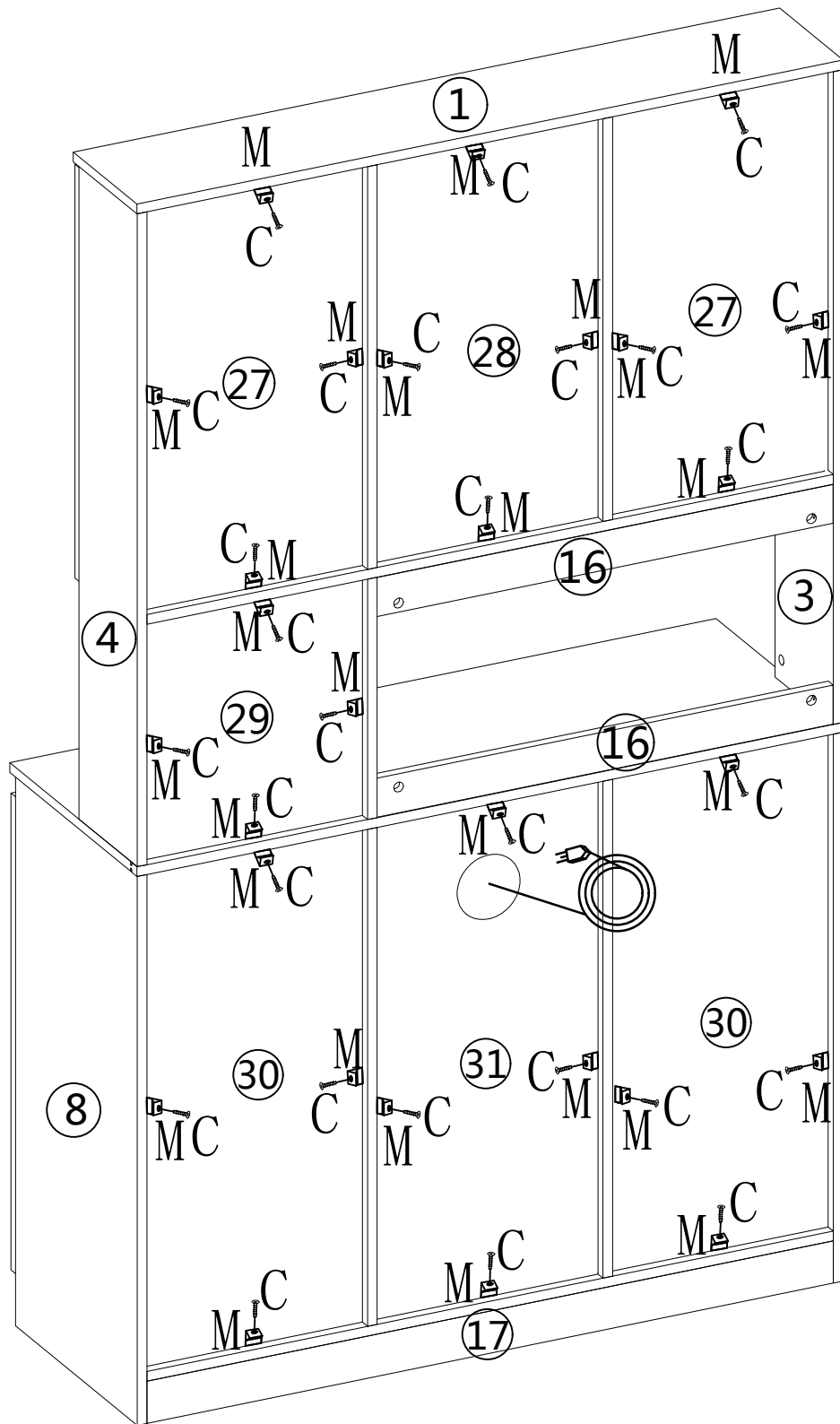




J × 16PCS

STEP 45

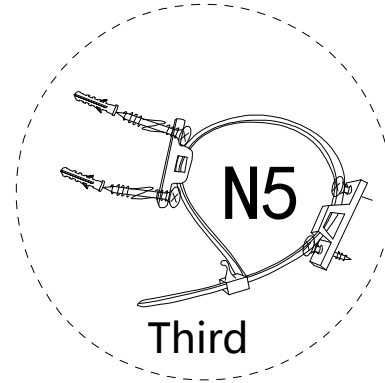
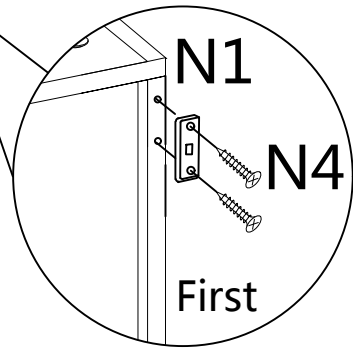
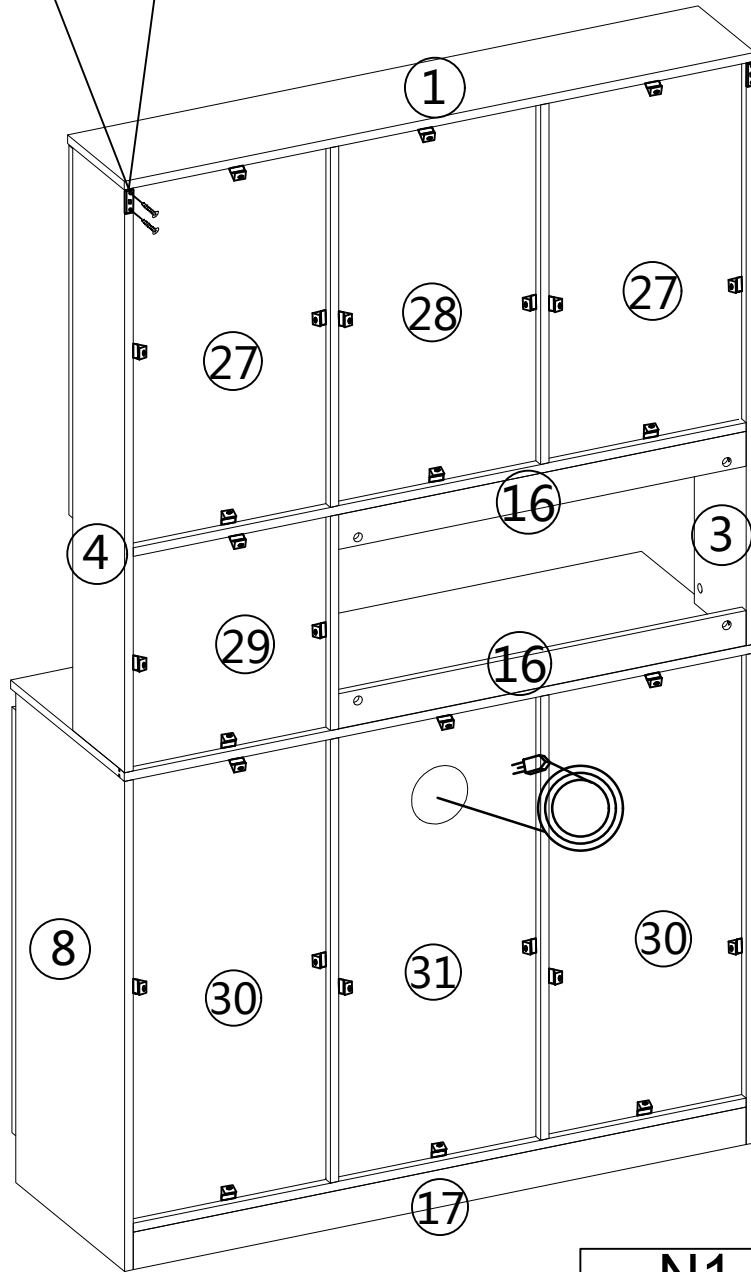
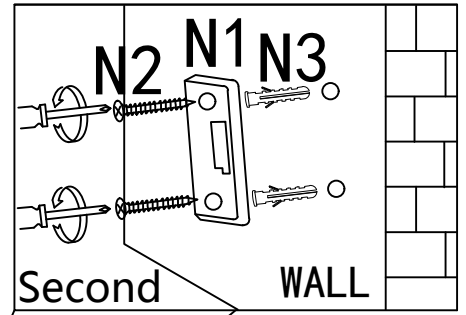
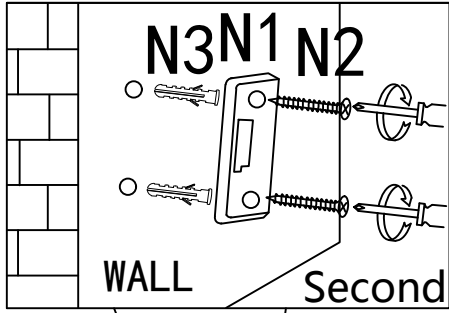


STEP 46



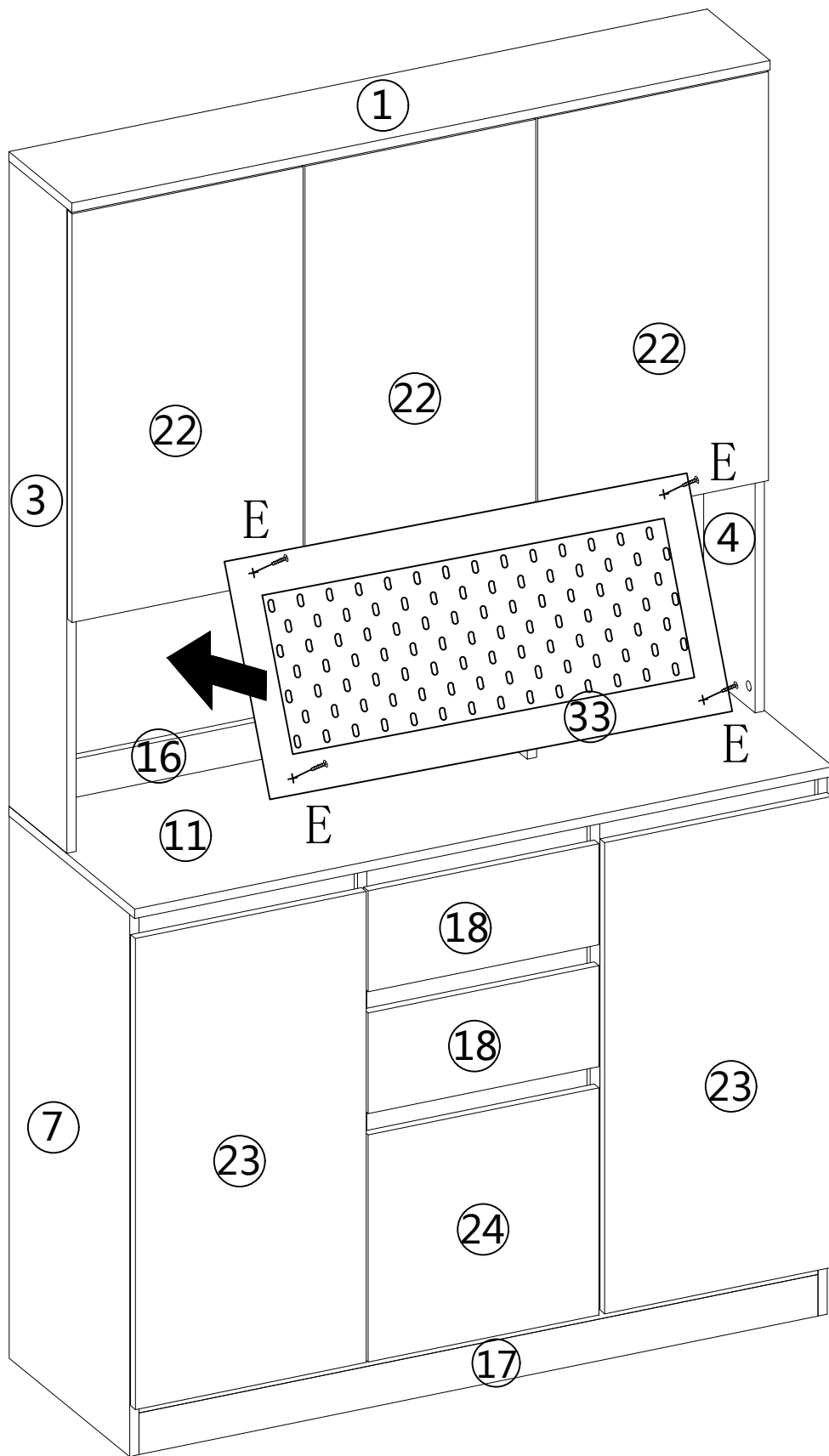
	C × 28PCS
	M × 28PCS

STEP 47



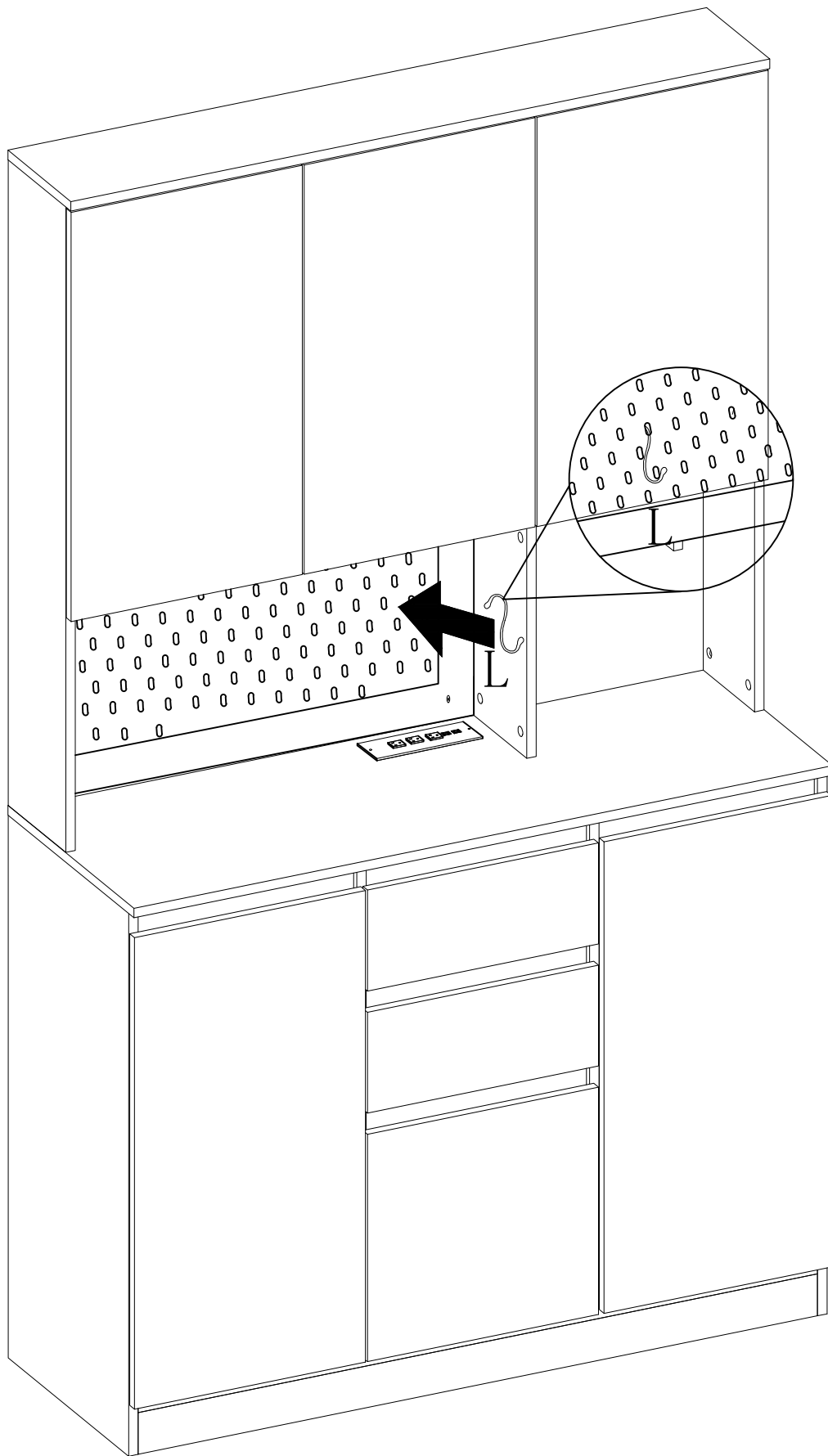
		N1 × 4PCS
		N2 × 4PCS
		N3 × 4PCS
		N4 × 4PCS
		N5 × 2PCS

STEP 48



E × 4PCS

STEP 49



L × 2PCS

END

