

## WARNING

This portable lamp has a polarized plug (one blade is wider than the other) as a safety feature to reduce the risk of electric shock. this plug will fit in a polarized outlet only one way. if the plug does not fit fully in the outlet, reverse the plug, if it still does not fit, contact a qualified electrician. Never use with an extension cord unless the plug can be fully inserted. do not attempt to defeat this safety feature.

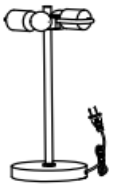




## CARE AND MAINTENANCE

Unplug lamps before using any cleaning solutions. Dust shades with a feather duster or with an appropriate vacuum-brush attachment. Wipe with a soft, dry cloth and clean lamp bases with the methods appropriate to the material. Avoid the use of chemicals and household cleaners as they may damage the finish.

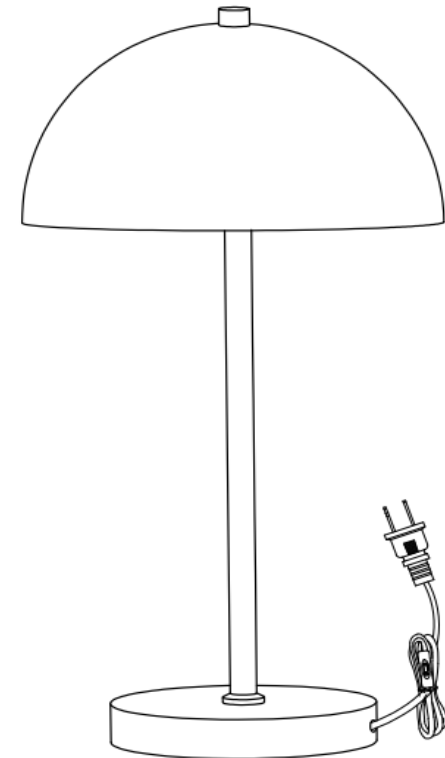
## NOTICE& IMPORTANT SAFETY INSTRUCTIONS

- \* Please make sure that you have all parts indicated before you begin assembly of this item
- \* This item should be assembled on a soft surface to prevent scratching the finish during assembly
- \* To reduce the risk of fire, electrical shock or injury to persons or property, please follow the guideline below for safe use and installation
- \* The external flexible cable or cord of this luminaire cannot be replaced
- \* If the cord is damaged, the luminaire shall be destroyed

### Part List and Hardware List

PIECE	DESCRIPTION	PICTURE	QUANTITY	PIECE	DESCRIPTION	PICTURE	QUANTITY
A	Lamp body		1X	C	Tube		1X
				D	lamp shade		1X
B	Lamp bulb		2X	E	Nut		1X

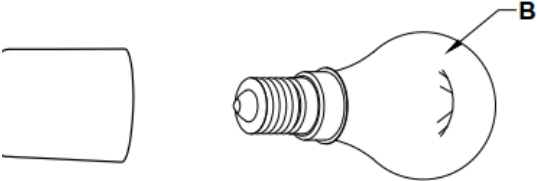
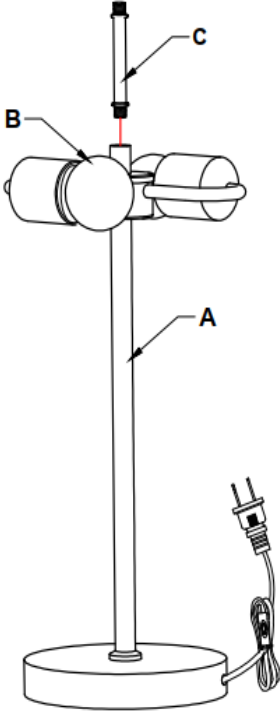
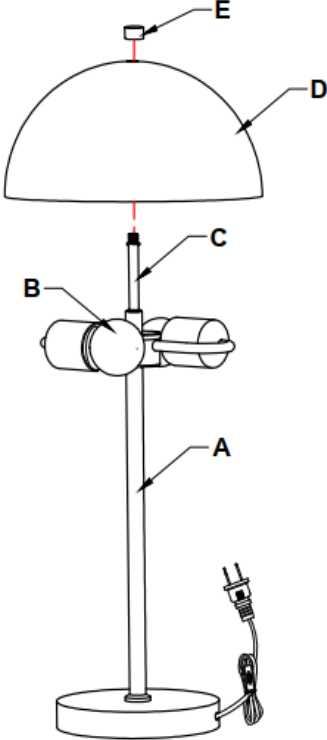
Product Dimensions: 10"Lx10"W x 18"H



## PREPARATION

- \* Before beginning assembly of product, make sure all parts are present. Compare parts with package contents list and hardware contents list.
  - \* If any part is missing or damaged, do not attempt to assemble the product.
  - \* Estimated Assembly Time: 20 minutes.
- If you are having difficulty, our friendly Customer Care team is always here to help.

**PLEASE USE ON/OFF TYPE "A" BULB MAX 25W-WATT OR LED BULB MAX 5-WATT.THERE IS LED 4-WATT BULB IN THE BOX.**

		
<p><b>Step1:</b> Install lamp bulb (B)</p>	<p><b>Step2:</b> Assemble the tube (C) clockwise onto the lamp body until tight.</p>	<p><b>Step3:</b> Use nut (E) to fix lamp shade(D) to Tube (C), Put the light on a level surface to check if everything is stable.</p>

ENJOY YOUR LAMP