


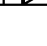


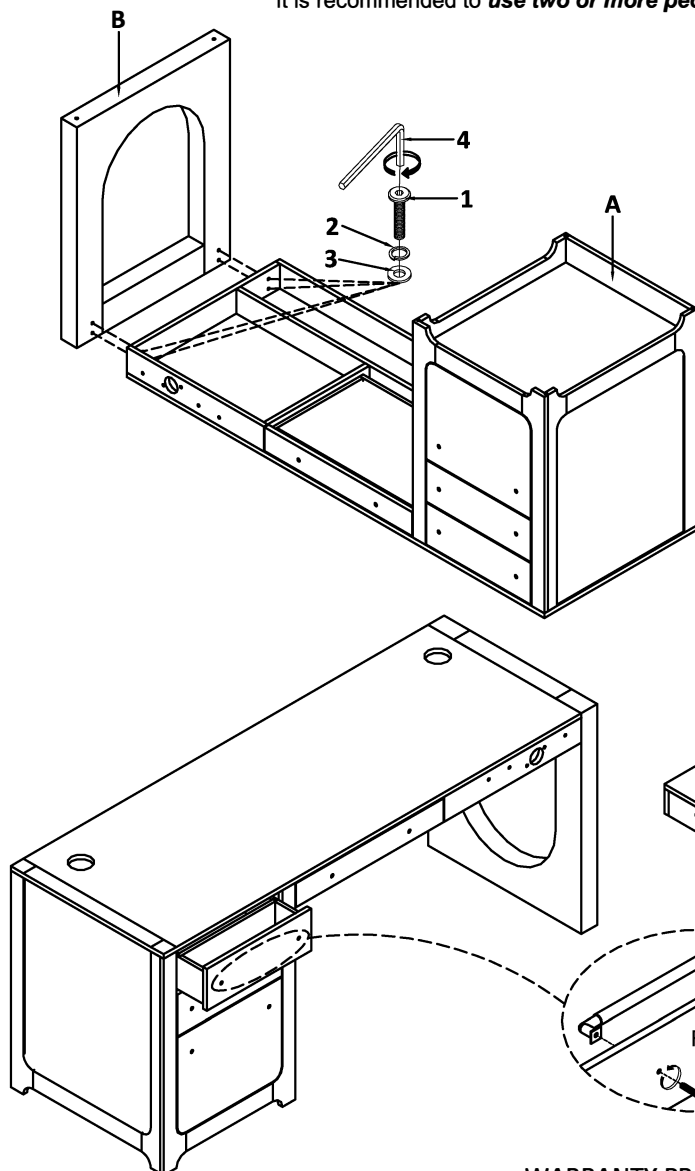


SET-UP INSTRUCTIONS FOR ITEM
PEDESTAL DESK WITH OPEN RETURN

NO:	Parts List	Q'TY
A	 Pedestal Desk	1 PC
B	 Leg Frame	1 PC
C	 Return top	1 PC
D	 Return leg frame	1 PC

NO:	Hardware List	Q'TY
1	 Bolt (5/16"*35mm)	11 PCS
2	 Spring washer	11 PCS
3	 Flat washer	11 PCS
4	 Allen wrench	1 PC
5	 Wood dowel (Ø10*20mm)	2 PCS

Caution: Please read all instructions before assembly and check the carton for any parts that may have come loose during shipment. It is recommended to **use two or more people during the assembly process.**



1 Place Pedestal desk (A) upside down on a soft and smooth surface.
Attach the leg frame (B) to each side of the top (A) by using the bolts (1), spring washers (2) & flat washers (3) as shown.

2 Turn the assembled Pedestal Desk upright.

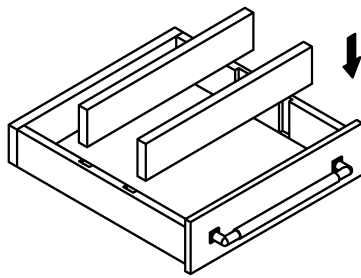
3 Remove Handles from inside drawers.
Reattach Handles to outside drawers.

WARRANTY PROTECTION:

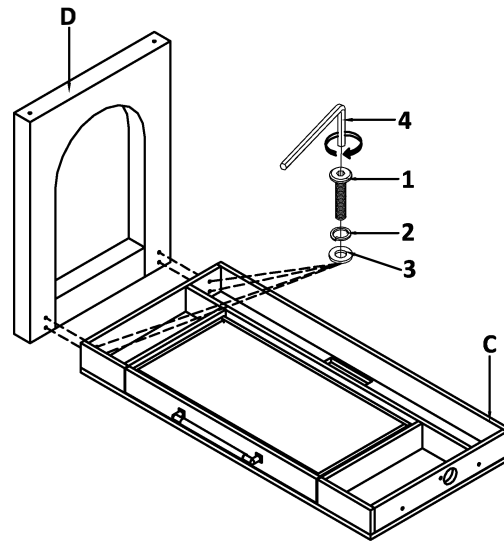
Please register your product. You'll find the warranty link on the bottom of the Home Page

CARING FOR YOUR FURNITURE

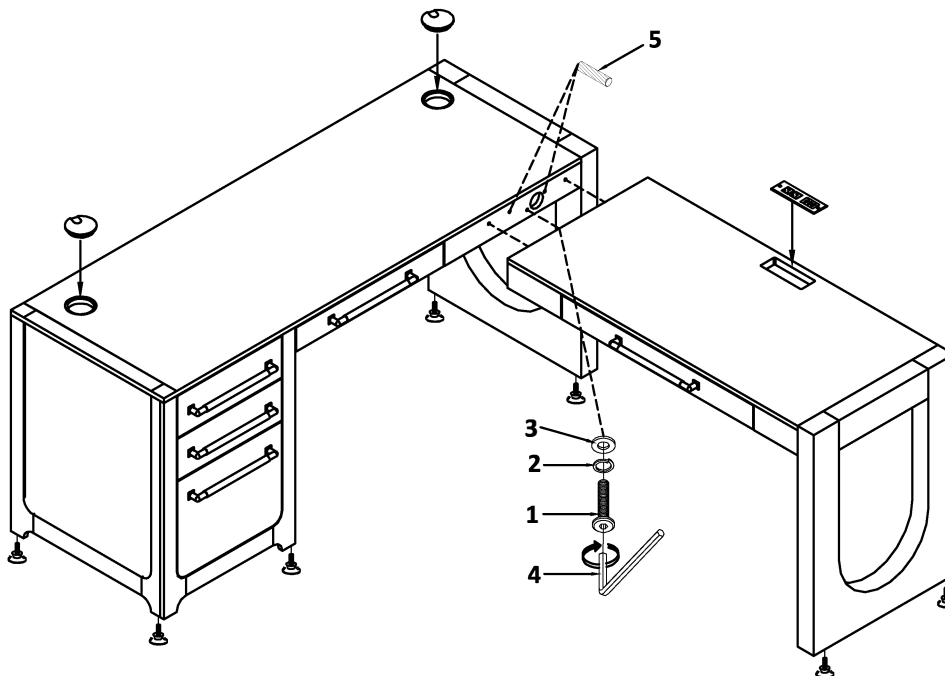
- Use a soft, clean cloth that will not scratch the surface when dusting.
- Use of furniture polishes are not necessary. Should you choose to use polishes, test in an inconspicuous area first.
- Using solvents of any kind on your furniture may damage your furniture finish.
- Never use water to clean your furniture as it may cause damage to the finish.
- Always use coasters under beverage glasses and flowerpots.
- Liquid spills should be removed immediately. Use a soft, clean cloth, blot the spill gently. Avoid rubbing.
- Direct sunlight may damage wood finishes.
- Extreme temperature and humidity changes can cause warping, shrinking and splitting of wood furniture. It is best to keep furniture in a climate controlled environment.
- Always use protective pads under hot dishes and plates. Heat can cause chemical changes that may create spotting within the furniture finish.
- In the event that your furniture is stained or otherwise damaged during use, we recommend that you call a professional to repair your furniture.



4 Removable drawer dividers.



5 Place Return top (C) upside down on a soft and smooth surface. Assemble the Return Leg frame (D) to the top (C) by using the bolts (1), spring washers (2) & flat washers (3) as shown.



6 Turn the assembled return desk upright.

7 Assemble the Open Return to the Pedestal Desk by using the bolts (1), spring washers (2) & flat washers (3), wood dowel (5) as shown.

8 Adjust leveler on the leg if needed.

WARRANTY PROTECTION:

Please register your product. You'll find the warranty link on the bottom of the Home Page

CARING FOR YOUR FURNITURE

- Use a soft, clean cloth that will not scratch the surface when dusting.
- Use of furniture polishes are not necessary. Should you choose to use polishes, test in an inconspicuous area first.
- Using solvents of any kind on your furniture may damage your furniture finish.
- Never use water to clean your furniture as it may cause damage to the finish.
- Always use coasters under beverage glasses and flowerpots.
- Liquid spills should be removed immediately. Use a soft, clean cloth, blot the spill gently. Avoid rubbing.
- Direct sunlight may damage wood finishes.
- Extreme temperature and humidity changes can cause warping, shrinking and splitting of wood furniture. It is best to keep furniture in a climate controlled environment.
- Always use protective pads under hot dishes and plates. Heat can cause chemical changes that may create spotting within the furniture finish.
- In the event that your furniture is stained or otherwise damaged during use, we recommend that you call a professional to repair your furniture.