

ASSEMBLY INSTRUCTION

We believe you will absolutely love your new furniture. Please immediately examine this product

90-Day Limited Warranty Statement for Manufacturing Defects

Please read this Limited Warranty carefully. To maintain your Warranty, you will need to comply with the conditions stated here.

This warranty is for manufacturing defects only and does not cover damages as a result of misuse.

1. Our products sold comply with the description contained in this Warranty. All parts and products are warranted 90-Day from the original date of delivery except: parts and products used for commercial, contract, rental trade, institutional, or any other non-residential purposes; parts and products that have not been maintained in accordance with the care recommendations provided; parts and products damaged resulting from the consumer's improper assembly; or parts and products that are damaged or defective due to normal wear and tear.

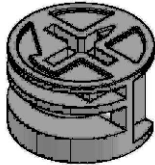
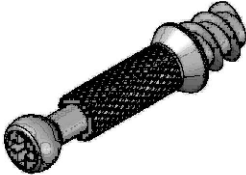
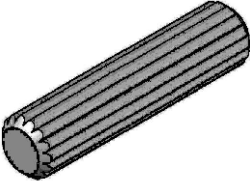
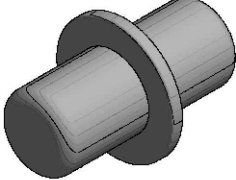
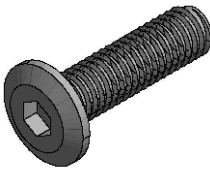
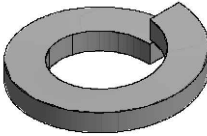
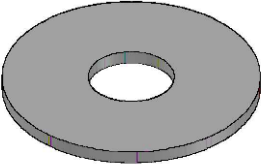
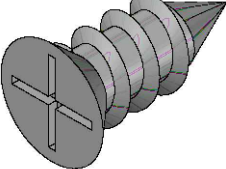
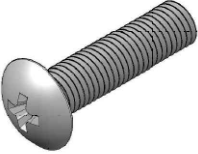
2. To exercise rights under this warranty, proper documentation, i.e., photography, purchase order number, manufacturer's bar code label, and or any other pertinent information upon request is required. We reserve the right to repair or replace the product within the warranty period based upon the documentation received as support of a claim for consideration. We will not replace or repair any product if improper maintenance, improper handling, or improper use caused the damage. Any product sold from or modified by a Non-Authorized Dealer, Seller or Consumer will void the Warranty.

3. Cost of packaging and shipping to and from us is not covered by the warranty unless expressly arranged by us. This warranty does not extend to furniture that has been exchanged or replaced by us as settlement of an original claim of defective merchandise. This warranty does not extend to furniture that has been moved from delivery location on original purchase order.

We appreciate your business!

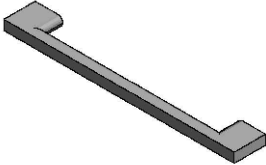
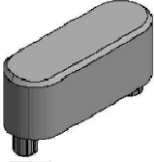
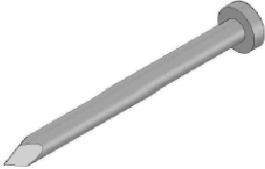
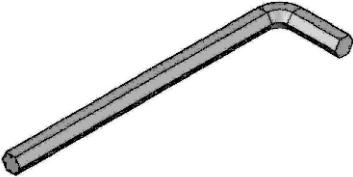

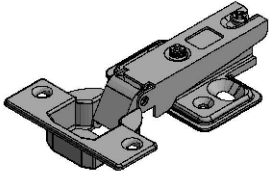
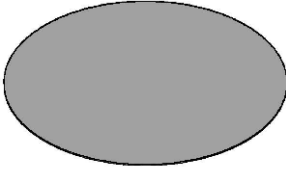

ASSEMBLY INSTRUCTION

HARDWARES LIST

ITEM	DESCRIPTION	DRAWING	QTY
A	MINIFIX CAM LOCK		16 PCS
B	MINIFIX CAM BOLT		16 PCS
C	WOOD DOWEL (M6 x 25MM)		16 PCS
D	SHELF SUPPORT		16 PCS
E	JCBC SCREW M6 x 15MM		8 PCS
F	SPRING WASHER M6 x 13MM		8 PCS
G	FLAT WASHER M6 x 19MM		8 PCS
H	CSK SCREW M3.5 X 12MM		28 PCS
I	TRUSS M-SCREW (16MM)		4 PCS

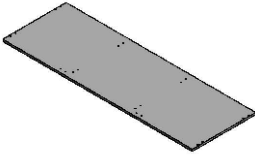
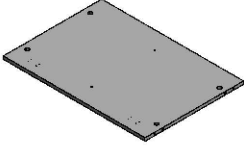
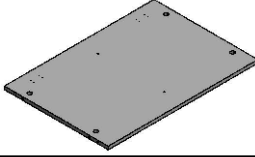
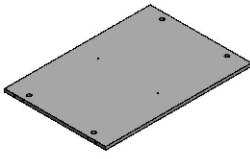
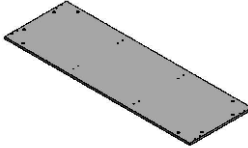
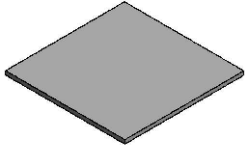
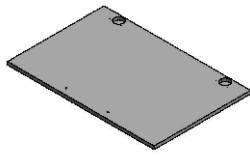
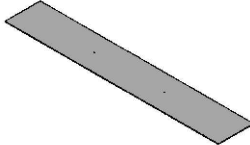
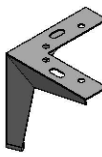
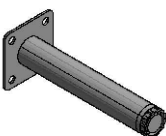
ASSEMBLY INSTRUCTION

HARDWARES LIST

ITEM	DESCRIPTION	DRAWING	QTY
J	HANDLE		2 PCS
K	PLASTIC STOPPER		2 PCS
L	6/8" NAIL		28 PCS
M	M4 ALLEN KEY (65MM)		1 PC
N	PLASTIC STRIP (H SHAPE)		2 PCS
O	SOFT-CLOSE HINGES		4 PCS
P	STICKER		24 PCS
Q	TIPPING RESTRAINT		1 PC

ASSEMBLY INSTRUCTION

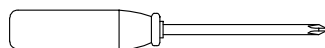
PARTS LIST

ITEM	DESCRIPTION	DRAWING	QTY
1	TOP PANEL		1 PC
2	LEFT PANEL		1 PC
3	RIGHT PANEL		1 PC
4	CENTER PANEL		2 PCS
5	BOTTOM PANEL		1 PC
6	SHELF PANEL		4 PCS
7	DOOR PANEL		2 PCS
8	BACK PANEL		3 PCS
22	METAL LEG		4 PCS
D24	CENTER LEG		1 PC

*Note: All parts needed are shown in above picture.
Numbers only indicate the specific parts for easy assembly.

ASSEMBLY TOOLS REQUIRED

1. Screwdriver (not provide)

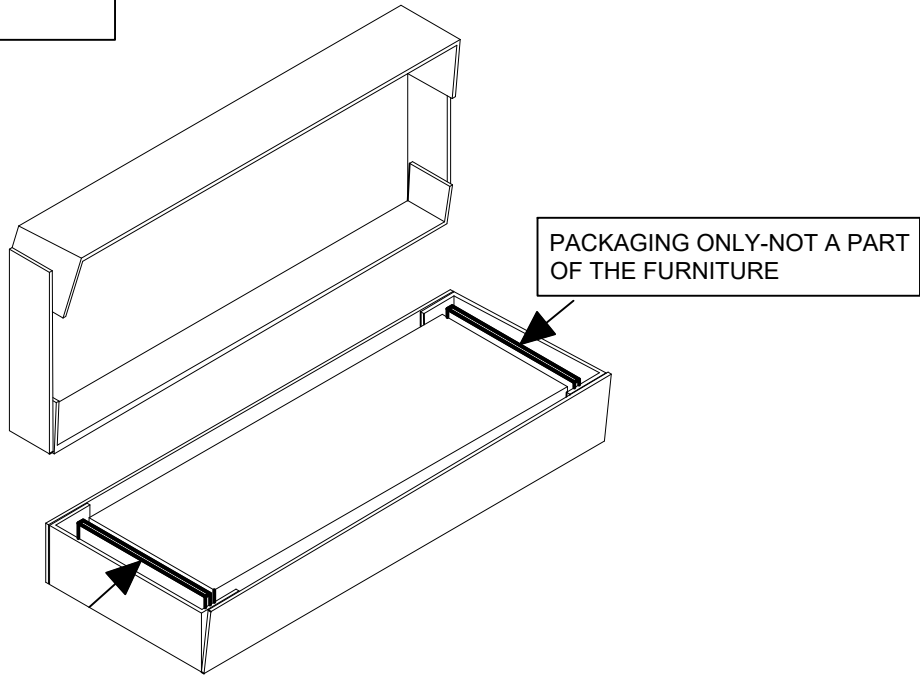


2. Hammer (not provide)

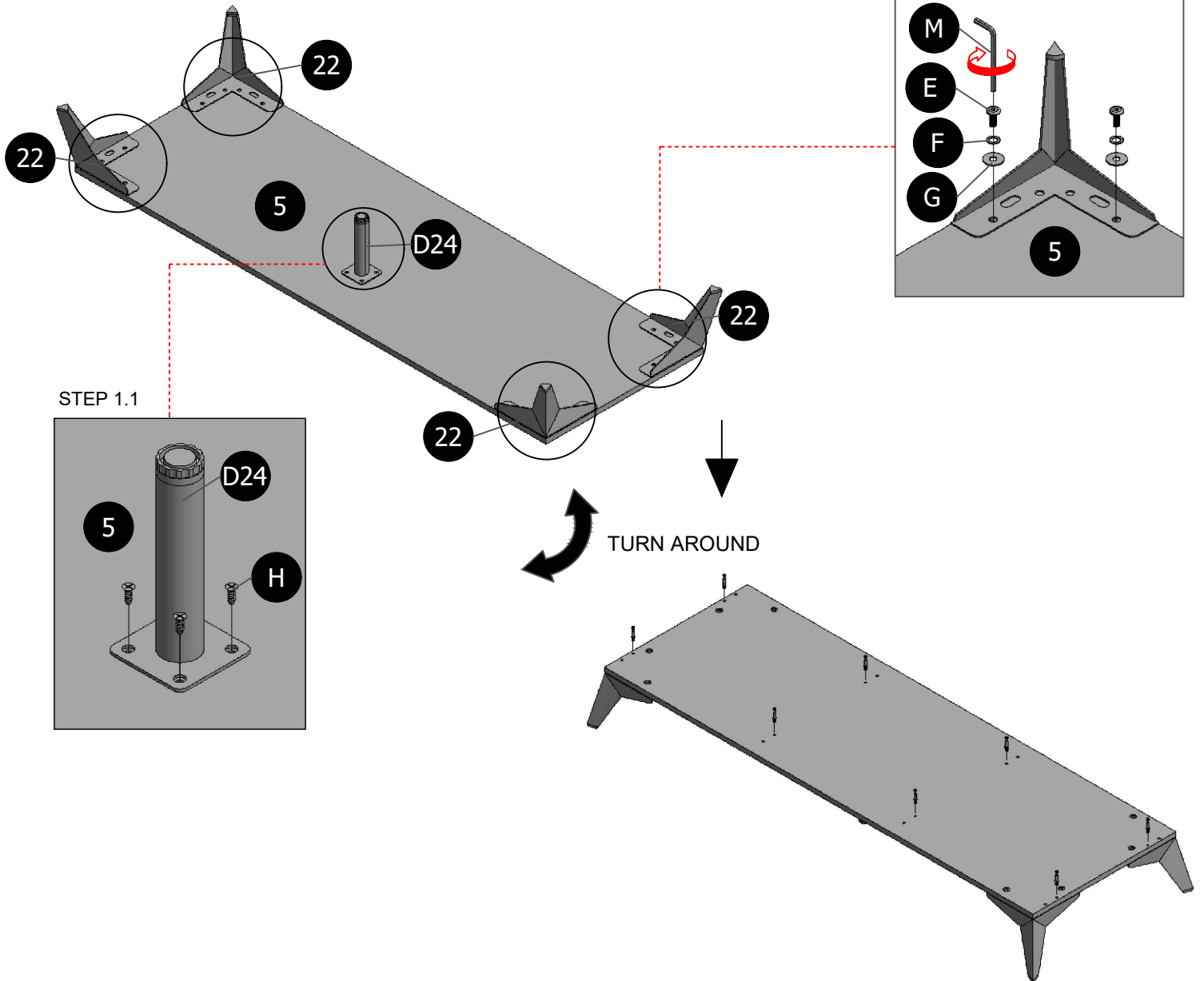


ASSEMBLY INSTRUCTION

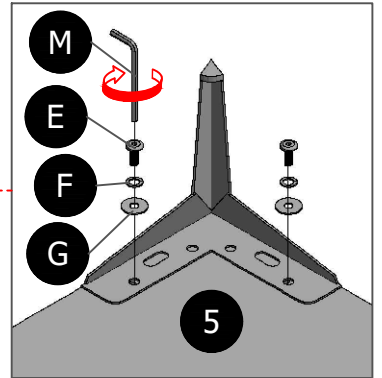
NOTE : - The outer board is for protection of packaging only, not part of furniture. Please throw it before assembly.



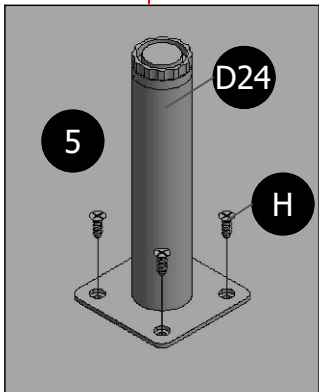
STEP 1



STEP 1.2

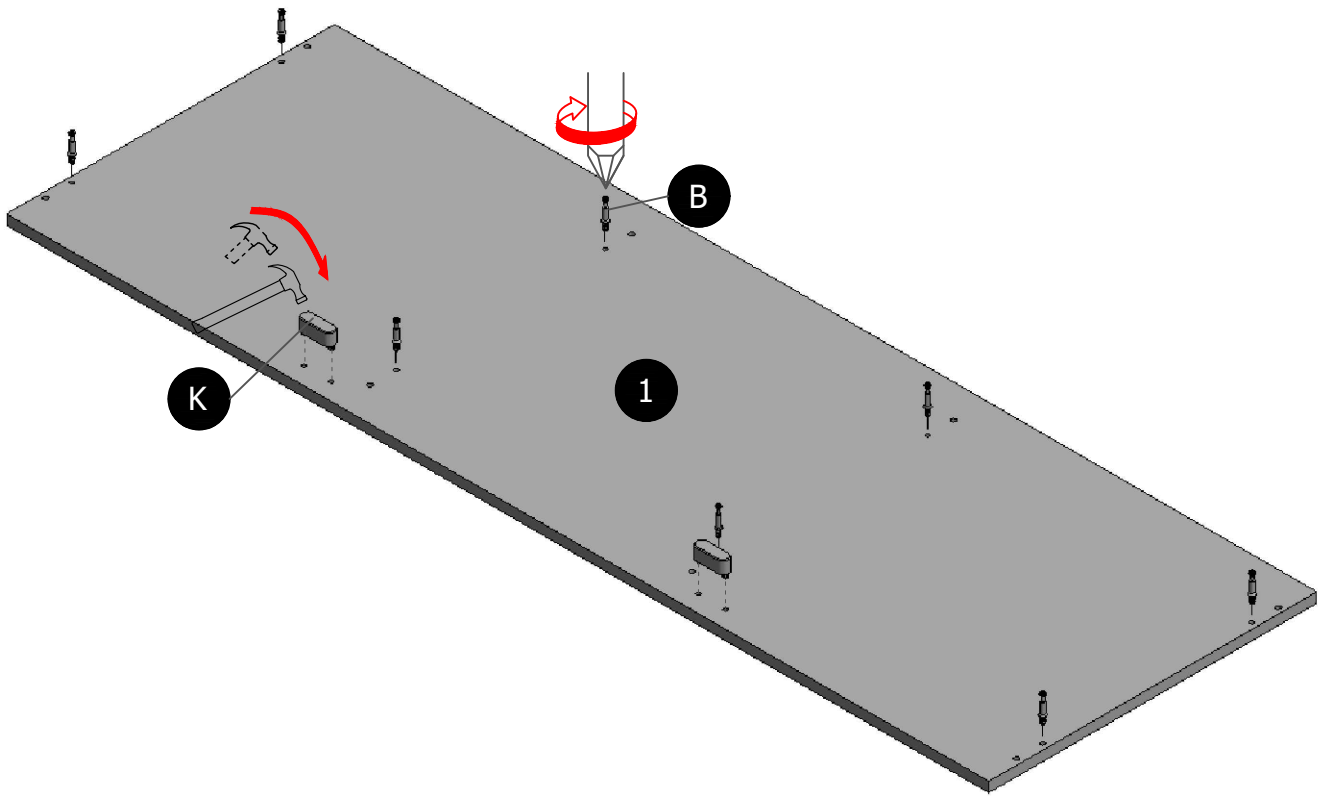


STEP 1.1



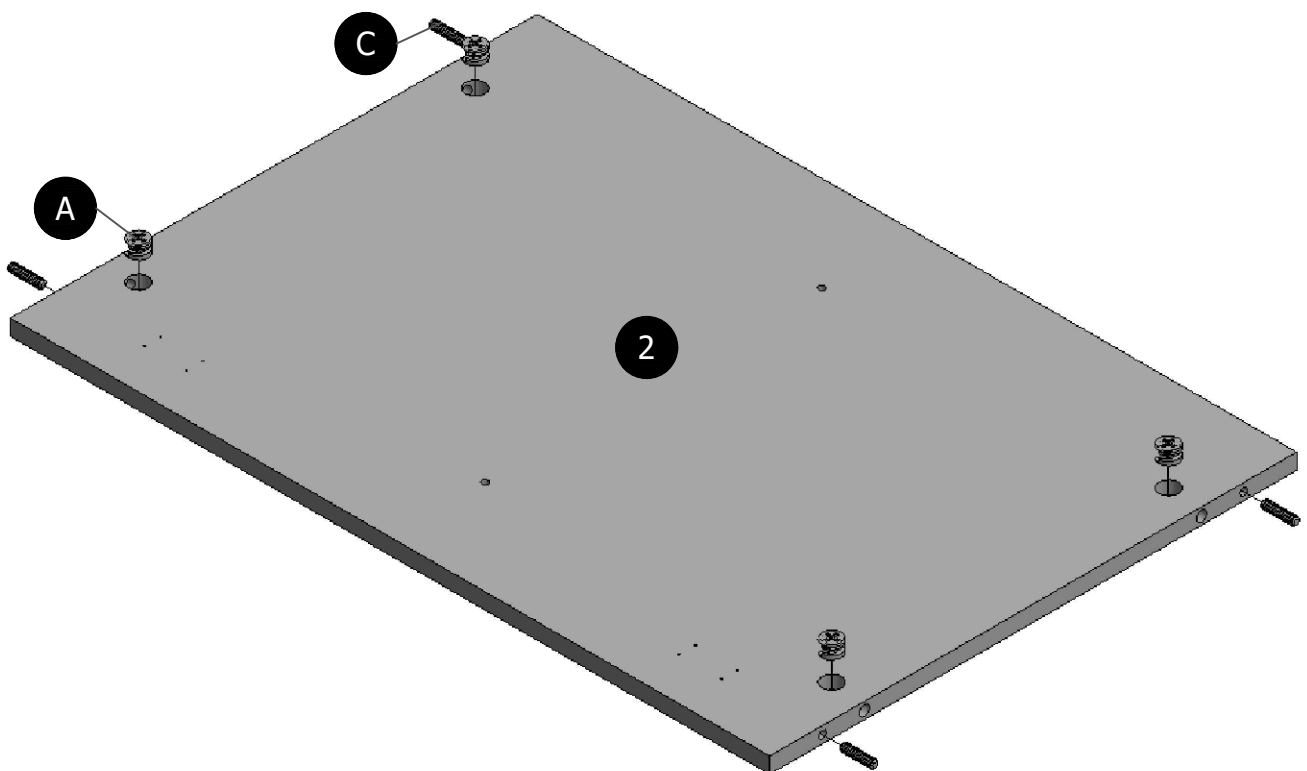
ASSEMBLY INSTRUCTION

STEP 2



STEP 3

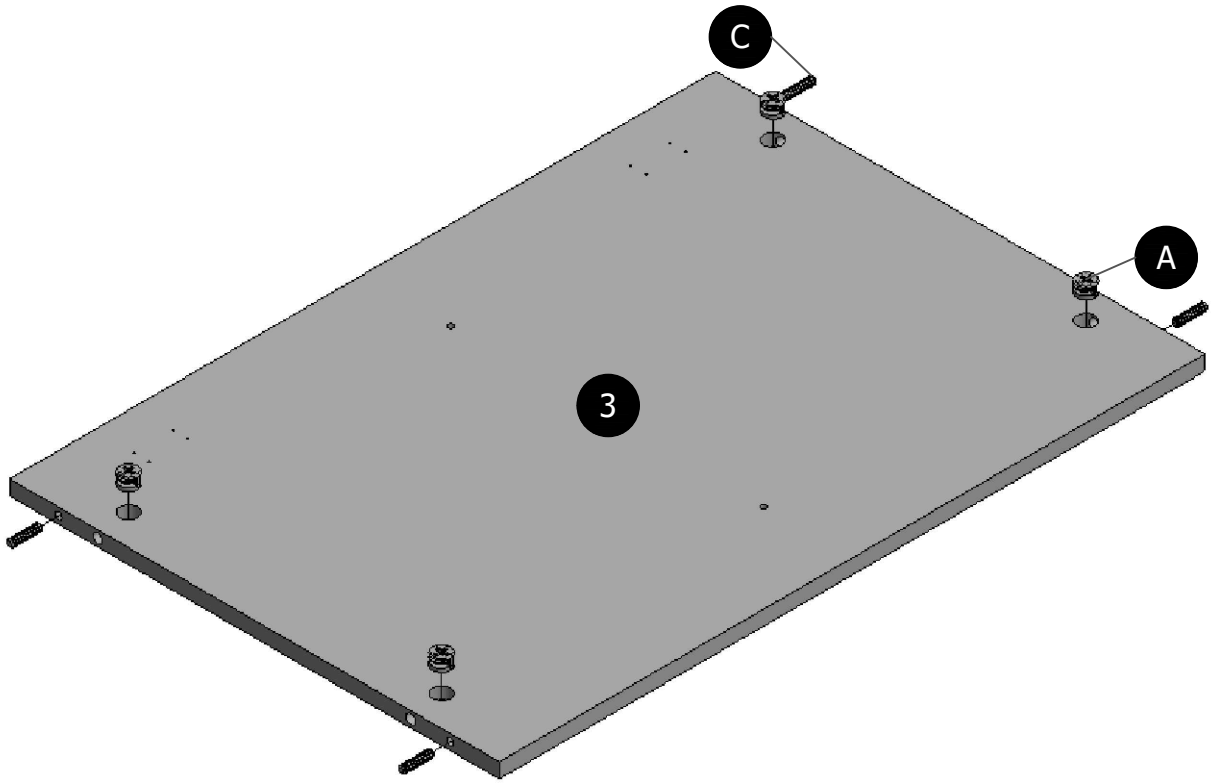
NOTE : - Make sure arrows on each (A) point towards nearest edge with hole.



ASSEMBLY INSTRUCTION

STEP 4

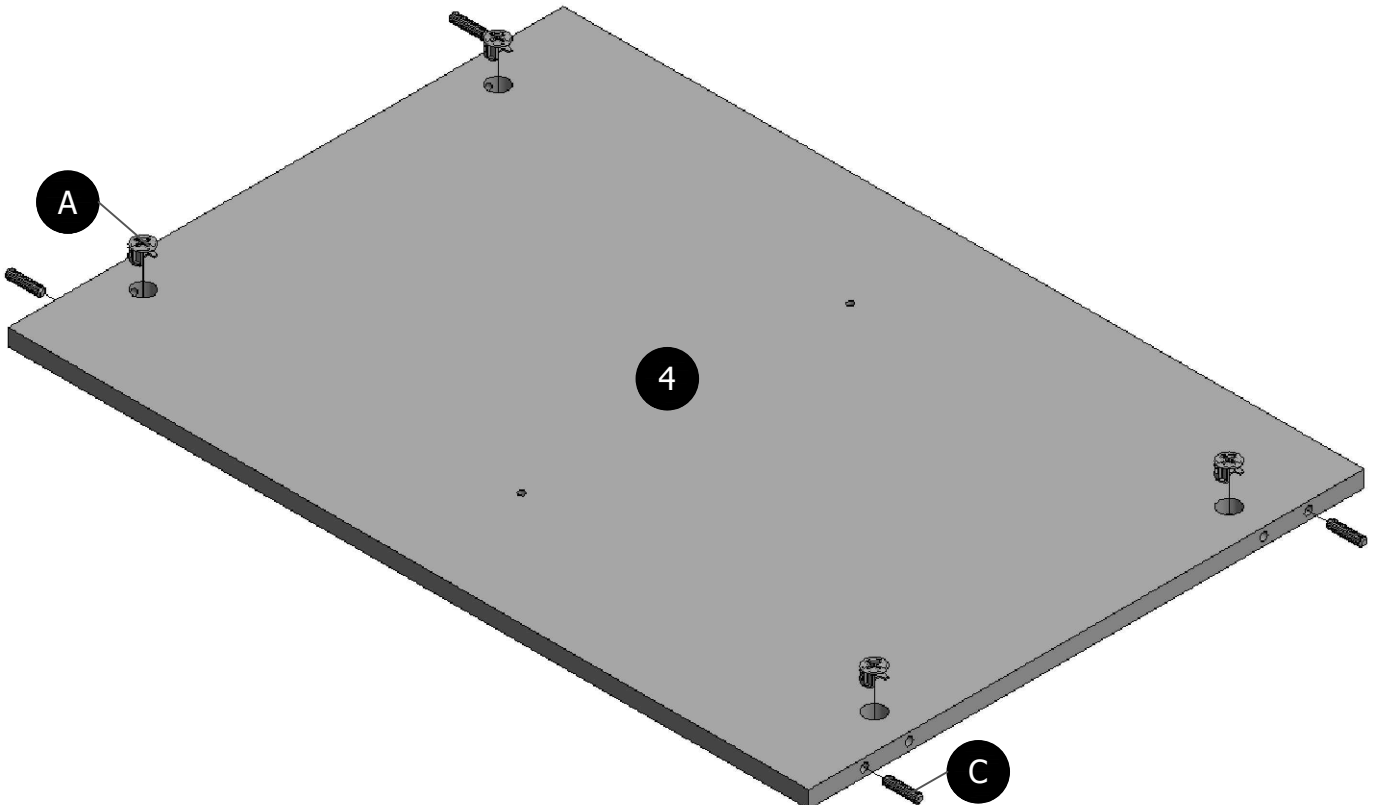
NOTE : - Make sure arrows on each (A) point towards nearest edge with hole.



STEP 5

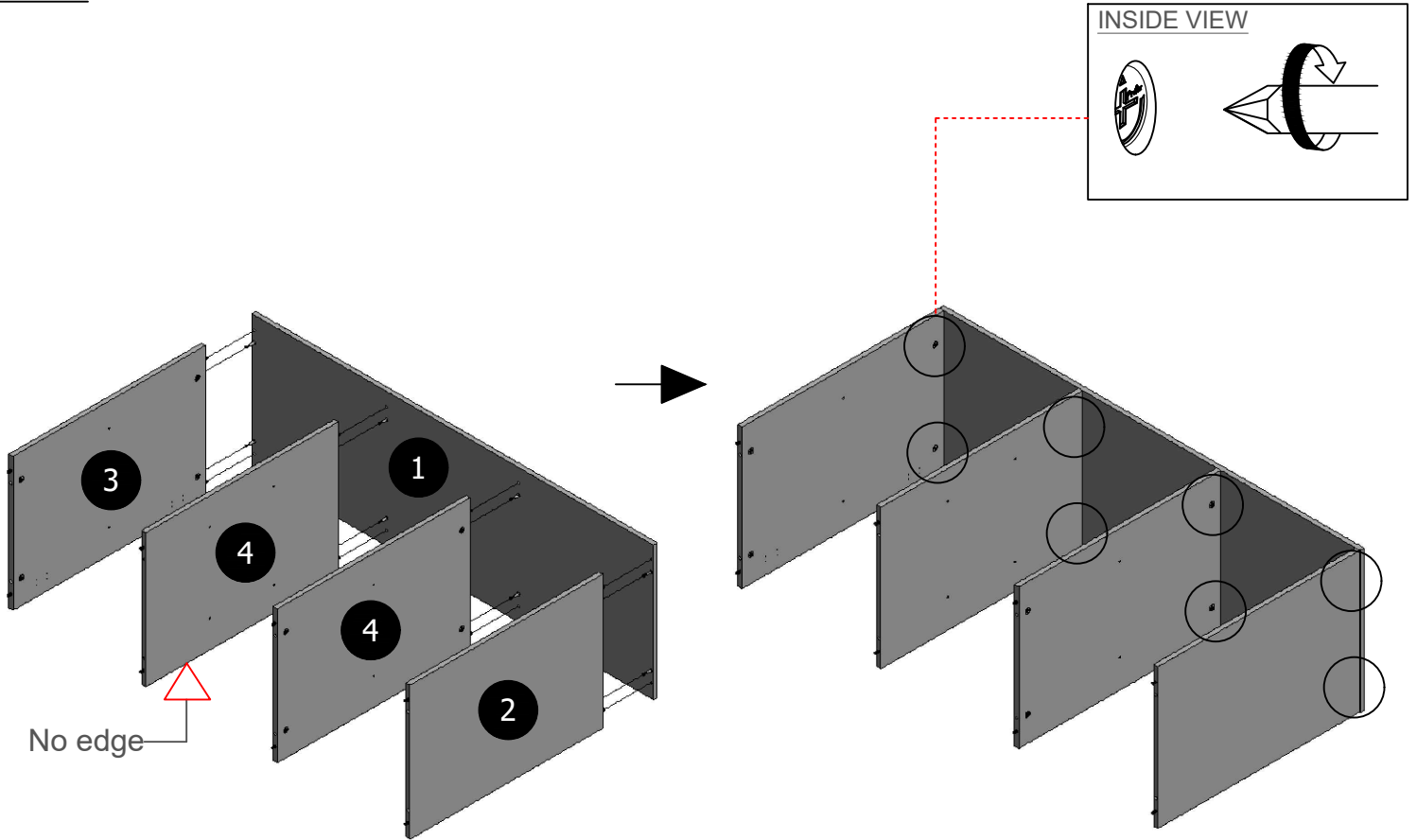
NOTE : - Make sure arrows on each (A) point towards nearest edge with hole.

x 2

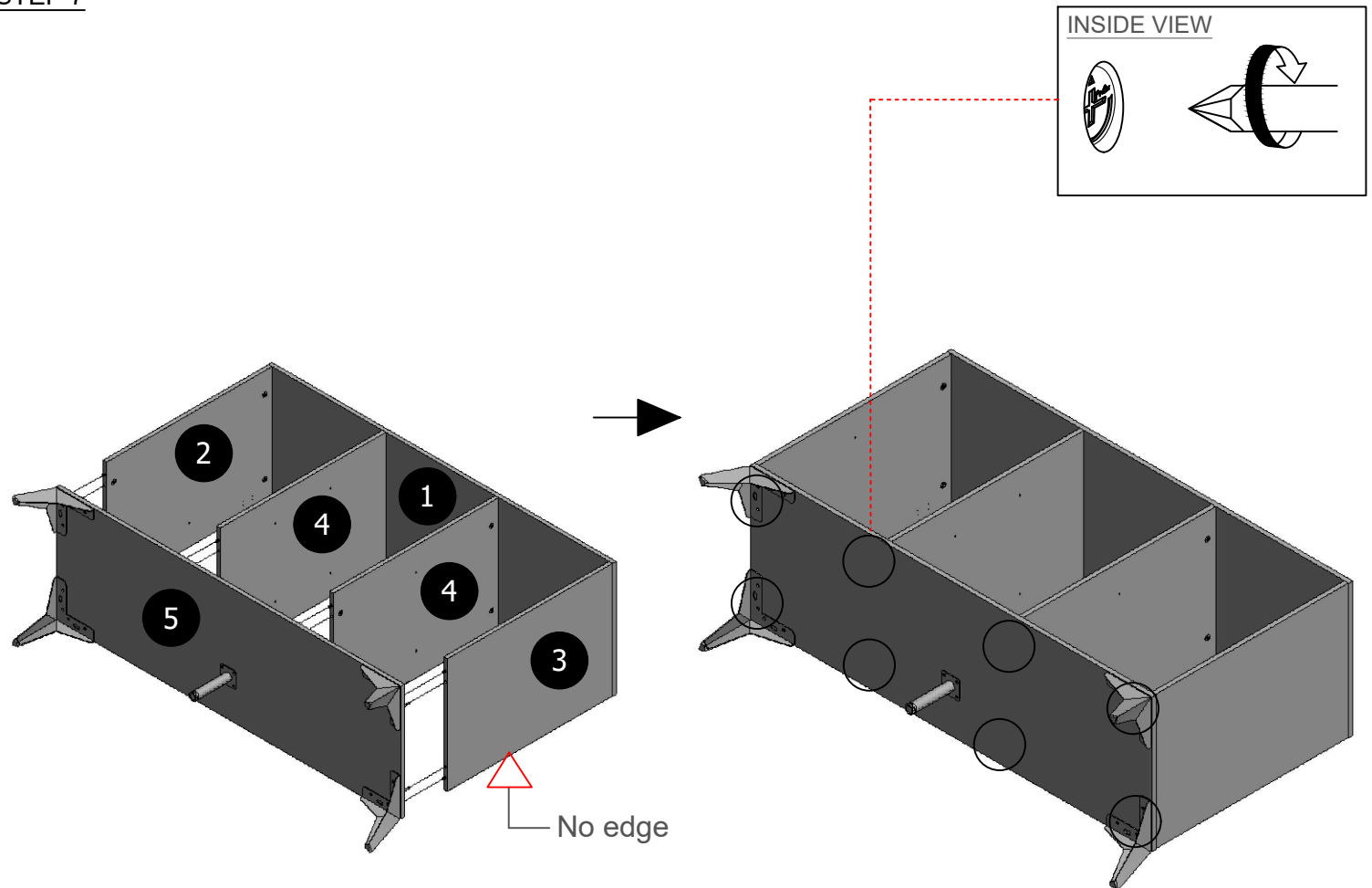


ASSEMBLY INSTRUCTION

STEP 6



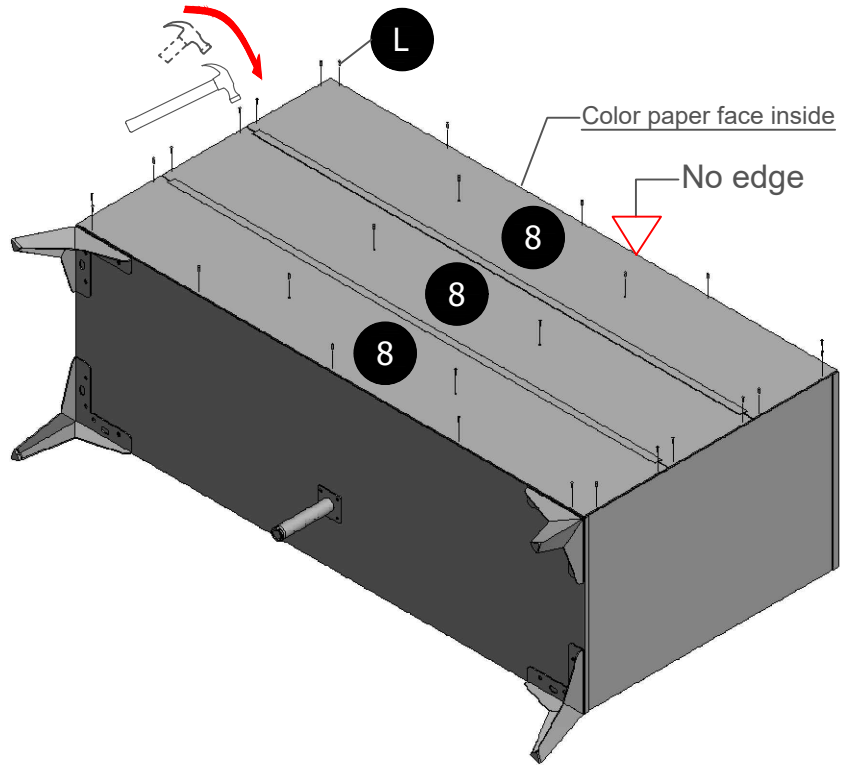
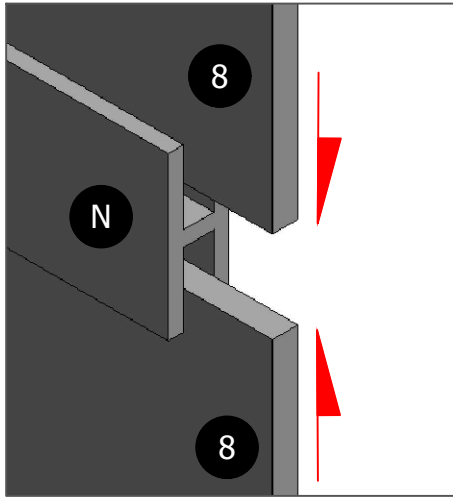
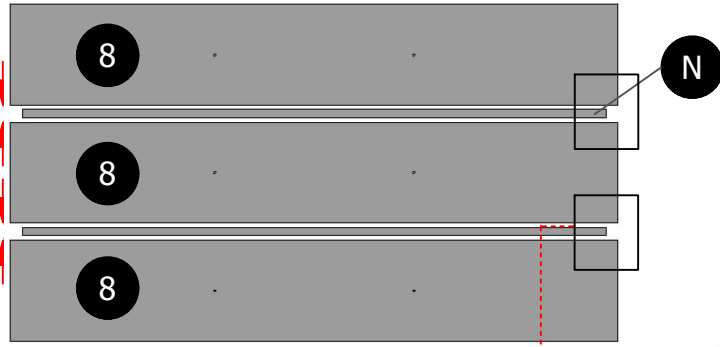
STEP 7



ASSEMBLY INSTRUCTION

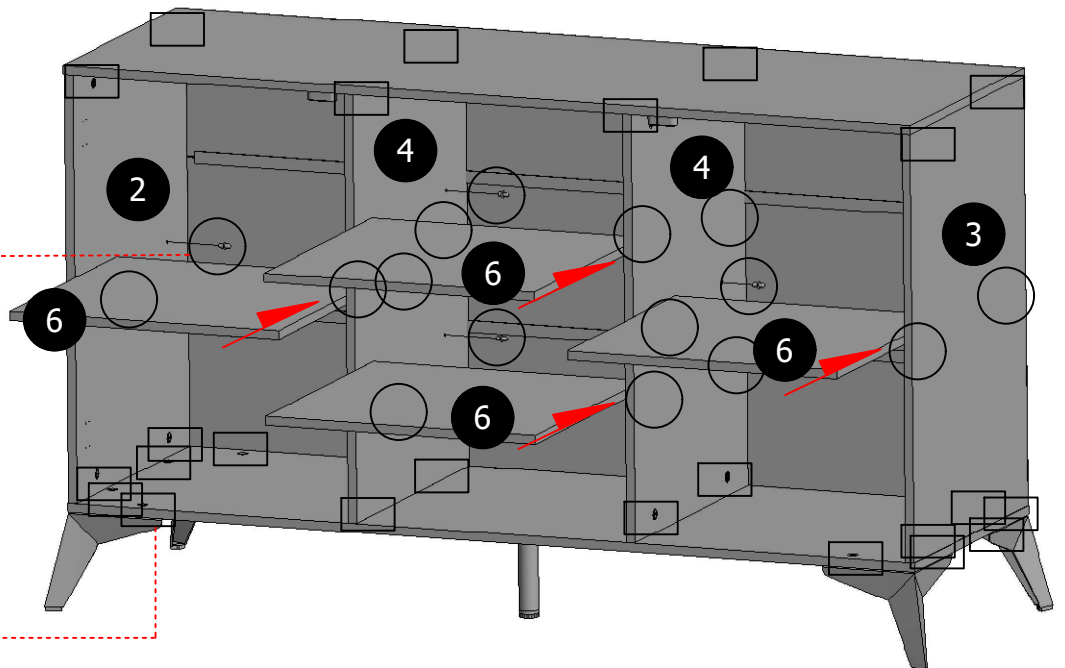
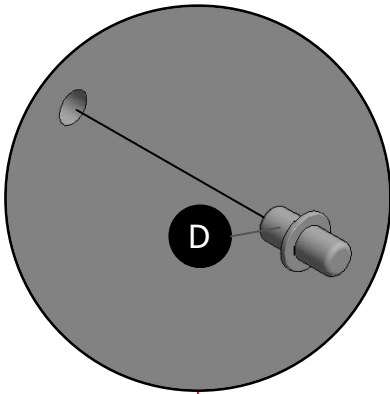
STEP 8

Side with color paper must be the same

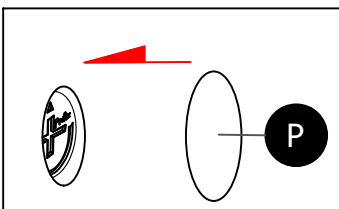


STEP 9

STEP 9.2



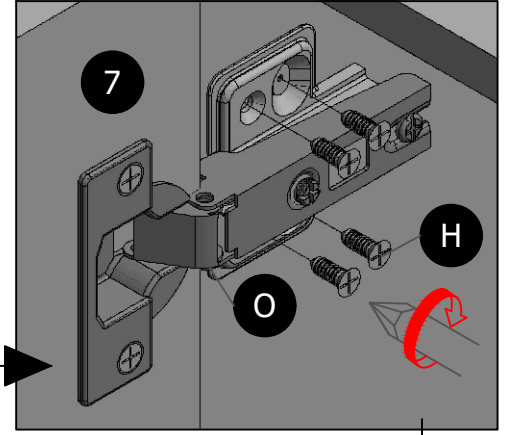
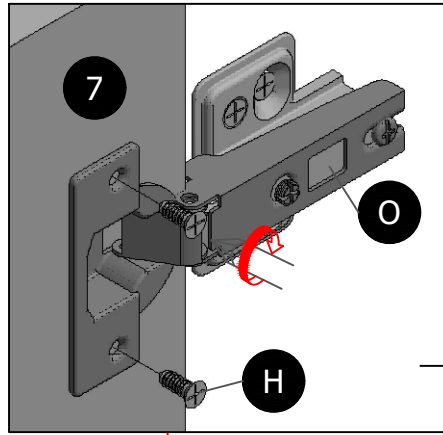
STEP 9.1



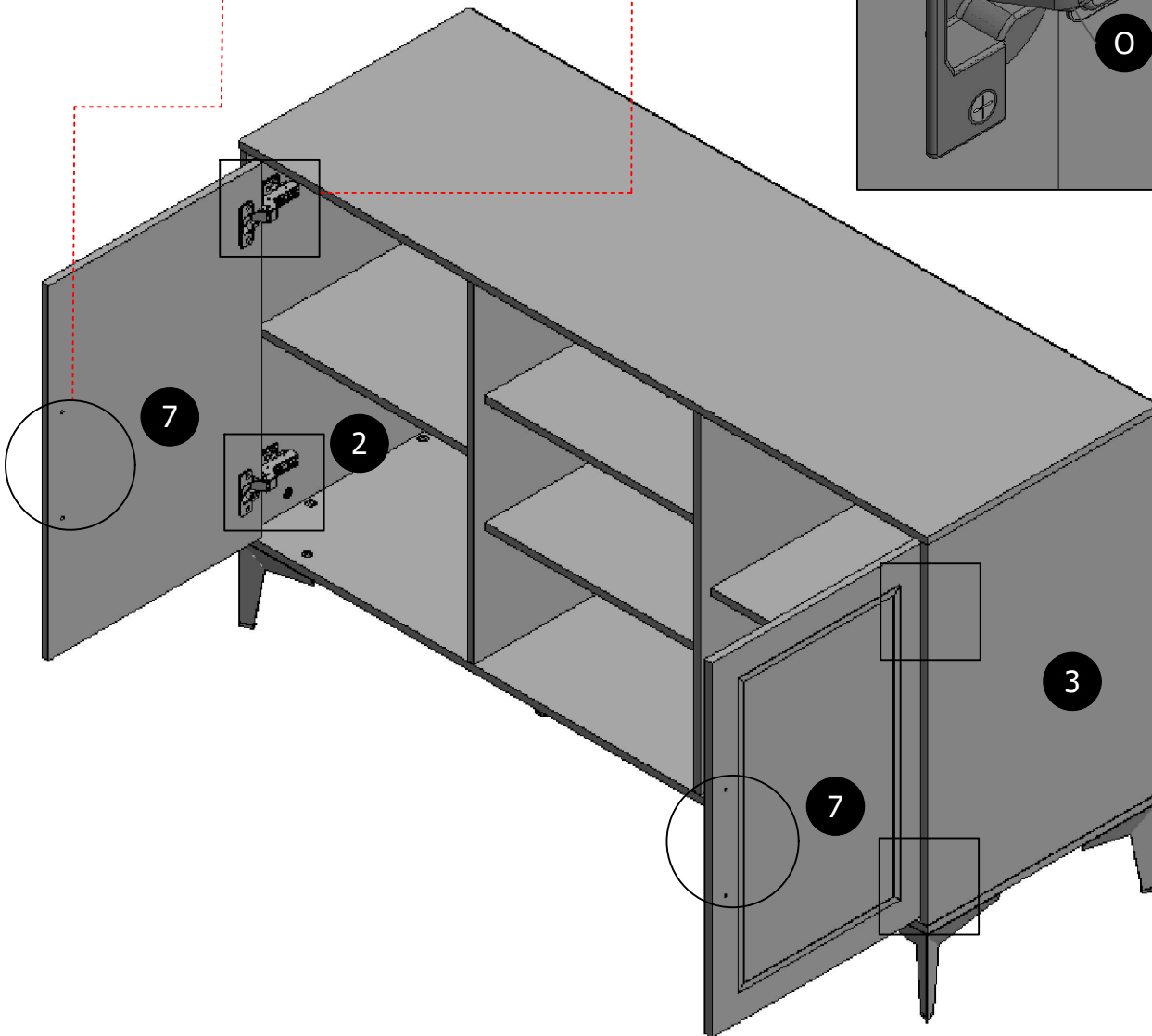
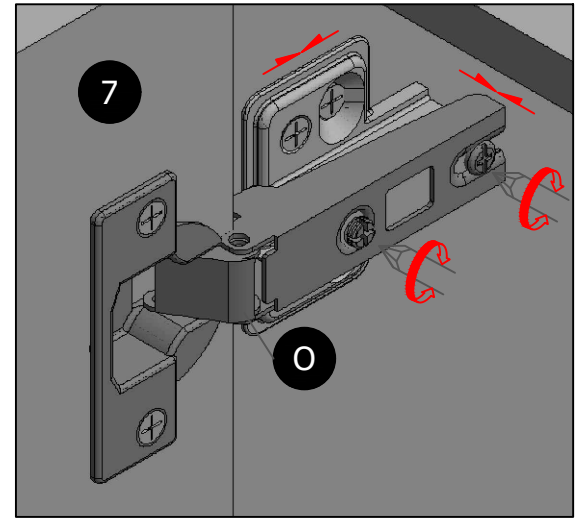
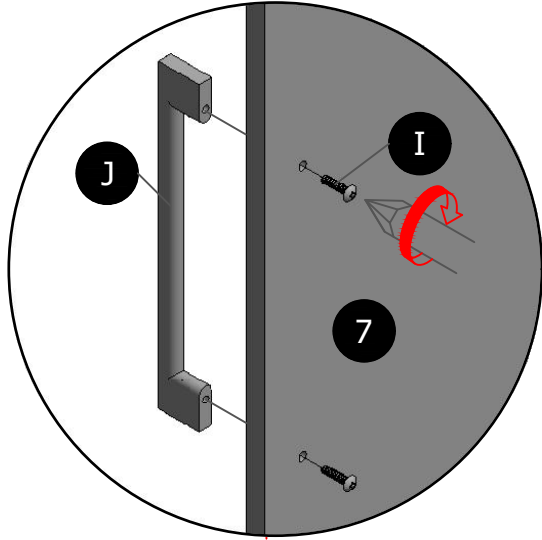
ASSEMBLY INSTRUCTION

STEP 10

STEP 10.1



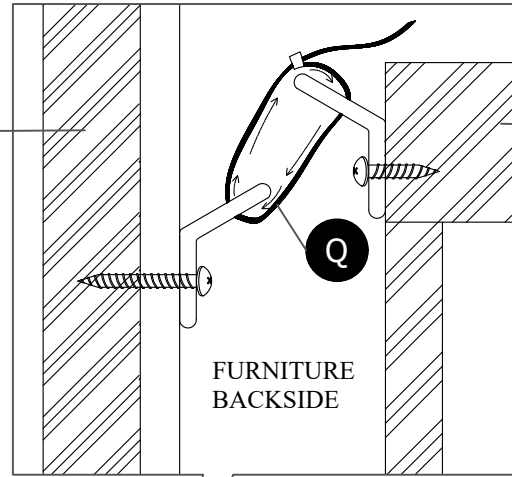
STEP 10.2



ASSEMBLY INSTRUCTION

STEP 11

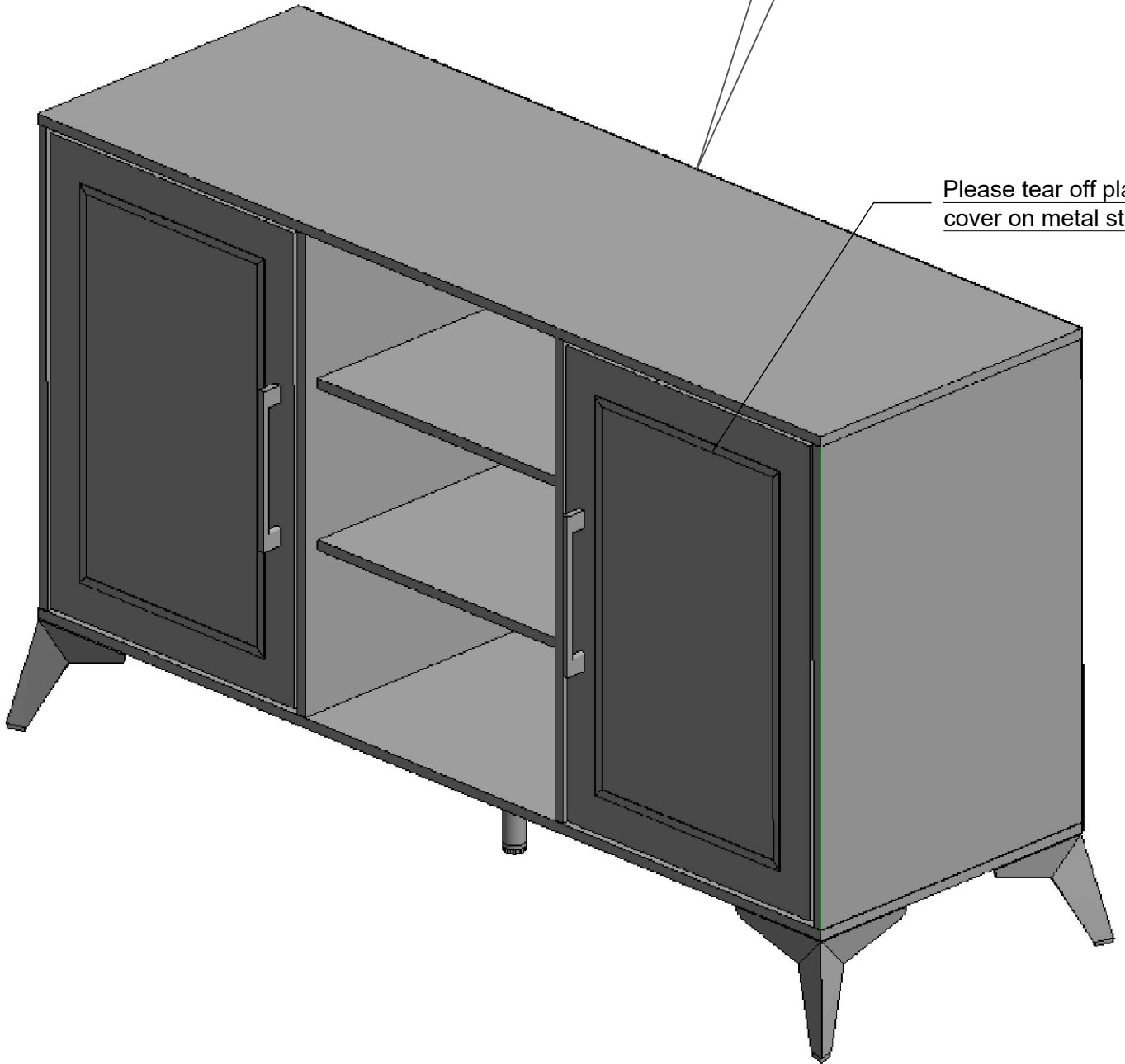
WALLBOARD AND STUD



FURNITURE TOP

FURNITURE BACKSIDE

Please tear off plastic cover on metal strip



ASSEMBLY COMPLETED