

# ASSEMBLY INSTRUCTIONS

## TOOLS REQUIRED



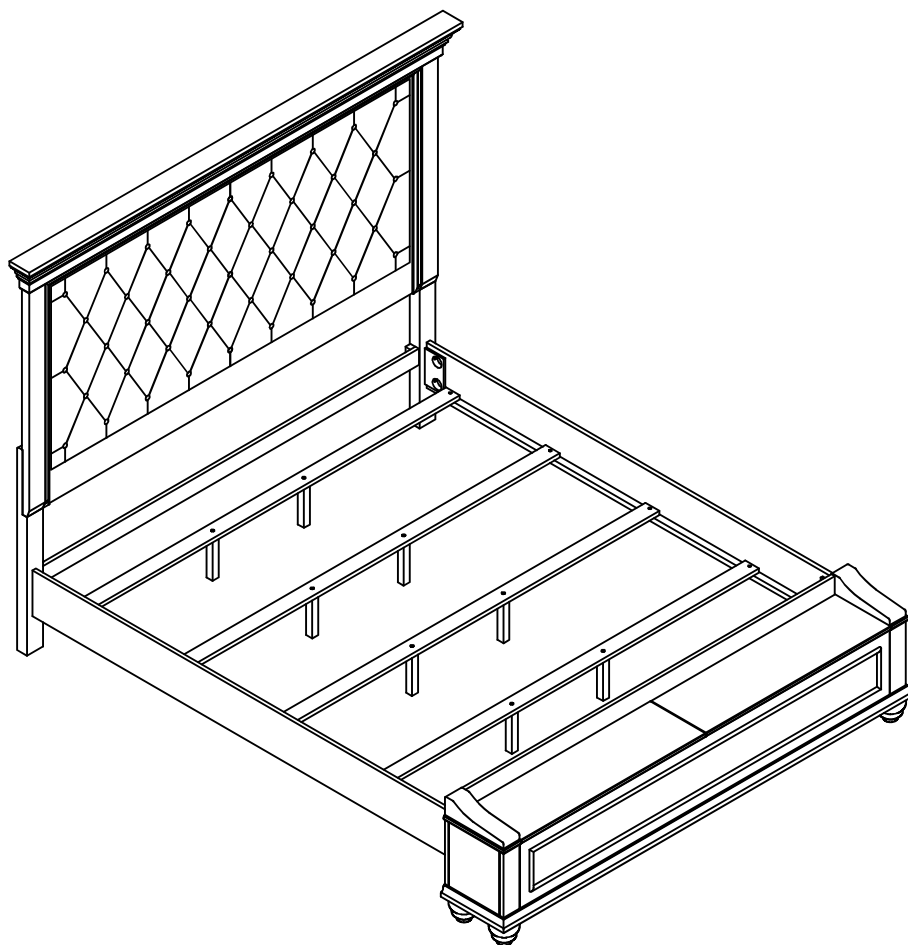
Screwdriver  
( Not included)



(Included)  
Allen Wrench



2 - People



## ASSEMBLY RATING



EASY —————> DIFFICULT

The Assembly Rating is a 5-point system showing the level of effort needed to assemble a specific product.



## **CHECK BEFORE STARTING**

### **Are you missing anything?**

Double-check all parts, hardware and accessories listed are all accounted for.

### **Check out our Quick Tips!**

We recommend reviewing the pre-assembly handouts. Even experts need a refresher now and then!

### **Should we send any replacements?**

Are there any irregularities or flaws in the parts? We can send replacements!

### **Prep Time!**

Please review the assembly instructions and all diagrams prior to assembling.

# PRE ASSEMBLY INTRODUCTION

We understand building ready-to-assemble furniture can be a challenging experience for some. To help avoid confusion, we have provided some helpful tips that may speed up the process.



## Teamwork

ALWAYS have at least two people to help with transporting and assembling the product to avoid potential injury and/or damage.



## Suitable Location

Assembling near the area of the intended location is highly recommended.



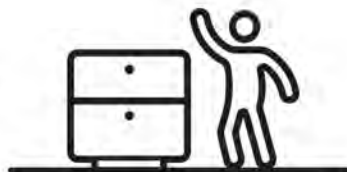
## Sufficient Space

Make sure you have enough space to move around during the assembly.



## Avoid Scratches

Use cardboard, blankets or a carpeted area while assembling furniture to prevent scratches and damages.



## Flat Surface

Make sure the furniture rests on a flat and level surface with each leg evenly touching the floor.

# ASSEMBLY AND CARE ADVICE



**FAILURE TO FOLLOW THE GUIDELINES BELOW MAY RESULT IN INJURY AND/OR PROPERTY DAMAGE.**



Position each part correctly and insert screws or bolts into their respective holes.



Turn clockwise to tighten and only tighten when step is completed or when instructed to do so.



Use the appropriate hand tools or power tools for assembly. Select steps, such as tightening screws and/or bolts, may require hand tools to avoid causing damage during assembly.



Save the instructions and store any supplied tools for later maintenance.



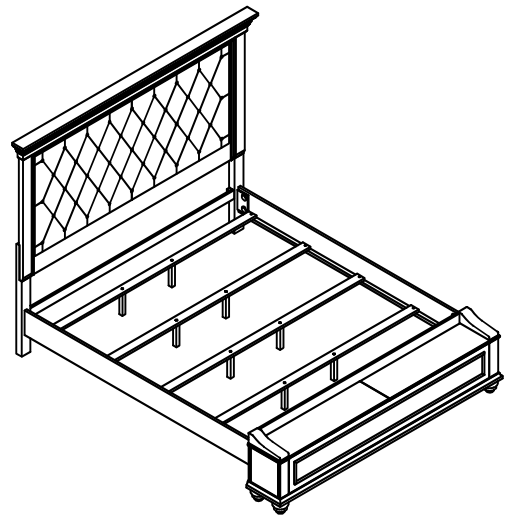
After two weeks, check and tighten any loose hardware and repeat again every six months thereafter.

**IT IS THE USER'S RESPONSIBILITY TO MAINTAIN THE FURNITURE. THE HARDWARE MAY LOOSEN OVER TIME AND MAY CAUSE THE FURNITURE TO BE WOBBLY AND UNABLE TO SUPPORT ITS INTENDED WEIGHT CAPACITY. THIS MAY LEAD TO COLLAPSE AND MAY CAUSE SERIOUS INJURY.**

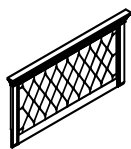
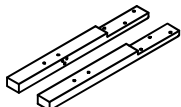

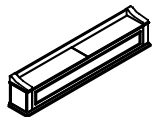



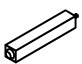
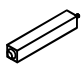
# BED












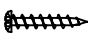
- Please keep instructions for future reference.
- Check the quantity and irregularity of parts and hardware before you start.



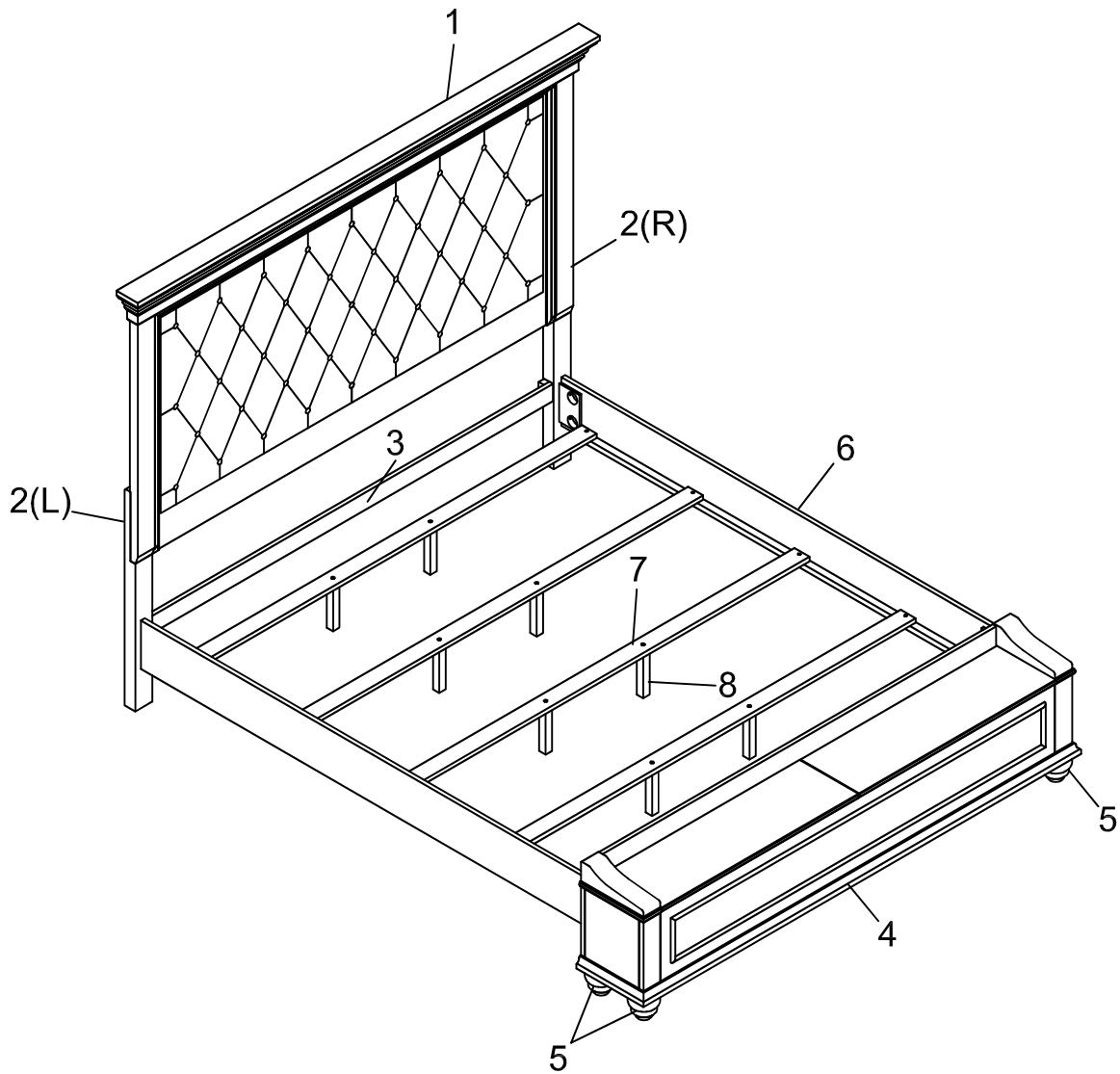
## PARTS

1  Headboard 1pc	2  HB Legs(L/R) 2pcs	3  HB Support Rail 1pc	4  Footboard 1pc	5  FB Legs 4pcs
6  Side rail 2pcs	7  Slat 4pcs	8  (Ø1/4") Slat support leg (192x30x30mm) 8pcs	9  (Ø1/4") FB support leg (92x30x30mm) 1pc	

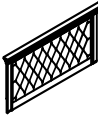

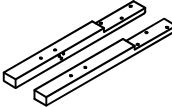




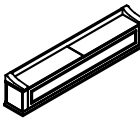
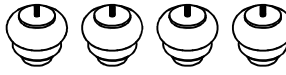
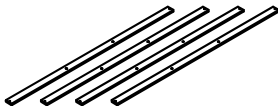
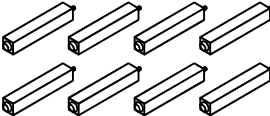
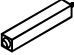
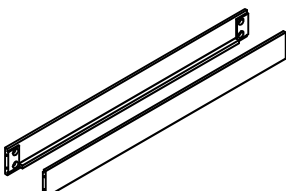






## HARDWARE

A  Bolt 5/16"x44mm 8pcs	B  Lock washer 5/16" 8pcs	C  Flat washer 5/16" 8pcs	D  Allen wrench (M4) 1pc	E  Wrench 90*12mm 1pc
F  Bolt 5/16"x88mm 8pcs	G  Curved Washer 5/16" 8pcs	H  Nut 5/16" 8pcs	J  Lock washer 5/16" 8pcs	K  Screw 8#x32mm 8pcs

# Exploded View



## is packed in 3 cases

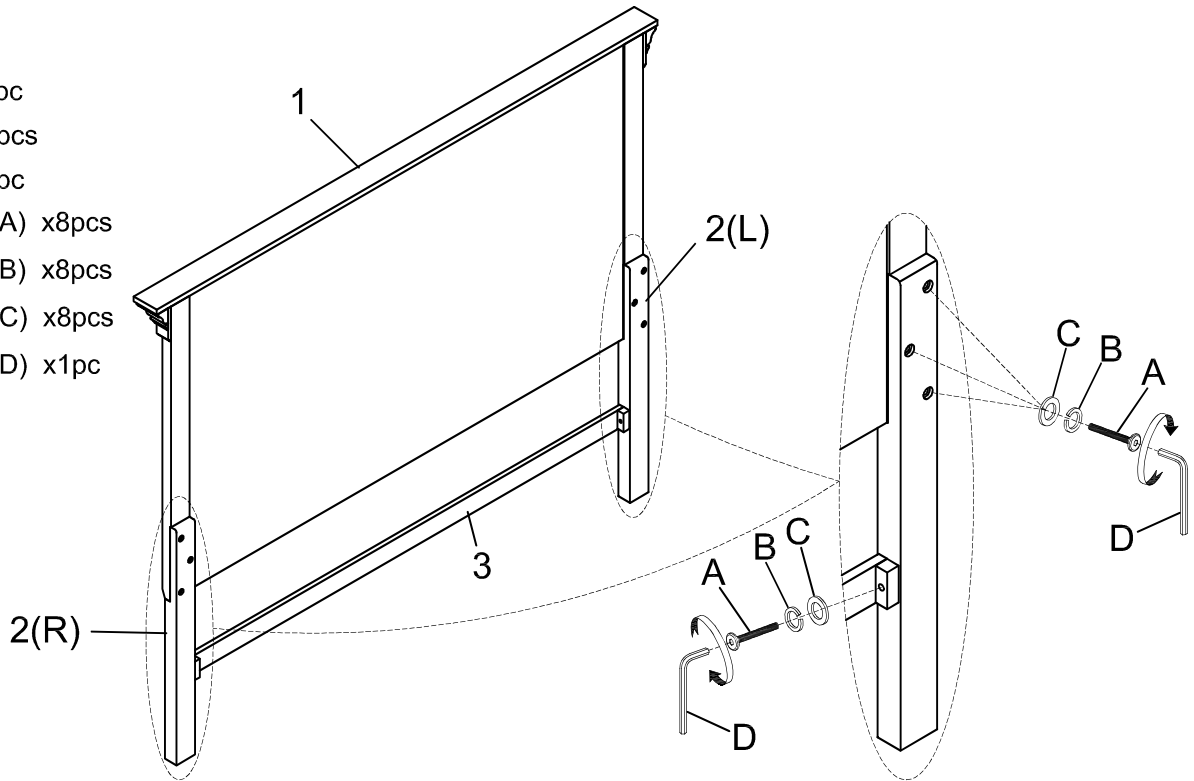
Carton	Disignation		Part	Hardware
	Headboard	1		 A x 8pcs
	HB Legs ( L & R) (2pcs)	2		 B x 8pcs
	HB Support Rail	3		 C x 8pcs  D x 1pc
	Footboard	4		
	FB Legs (4pcs)	5		
	Slat (4pcs)	7		
	Support leg (8pcs)	8		
	FB Support leg	9		
	Side Rail (2pcs)	6		 E x 1pc  F x 8pcs  G x 8pcs  H x 8pcs  J x 8pcs  K x 8pcs

# ASSEMBLY INSTRUCTIONS

Align HB legs (2L/2R),(3)to the headboard (1) and secure using bolts (A) with washers (B) and Flat washer (C)

## 1

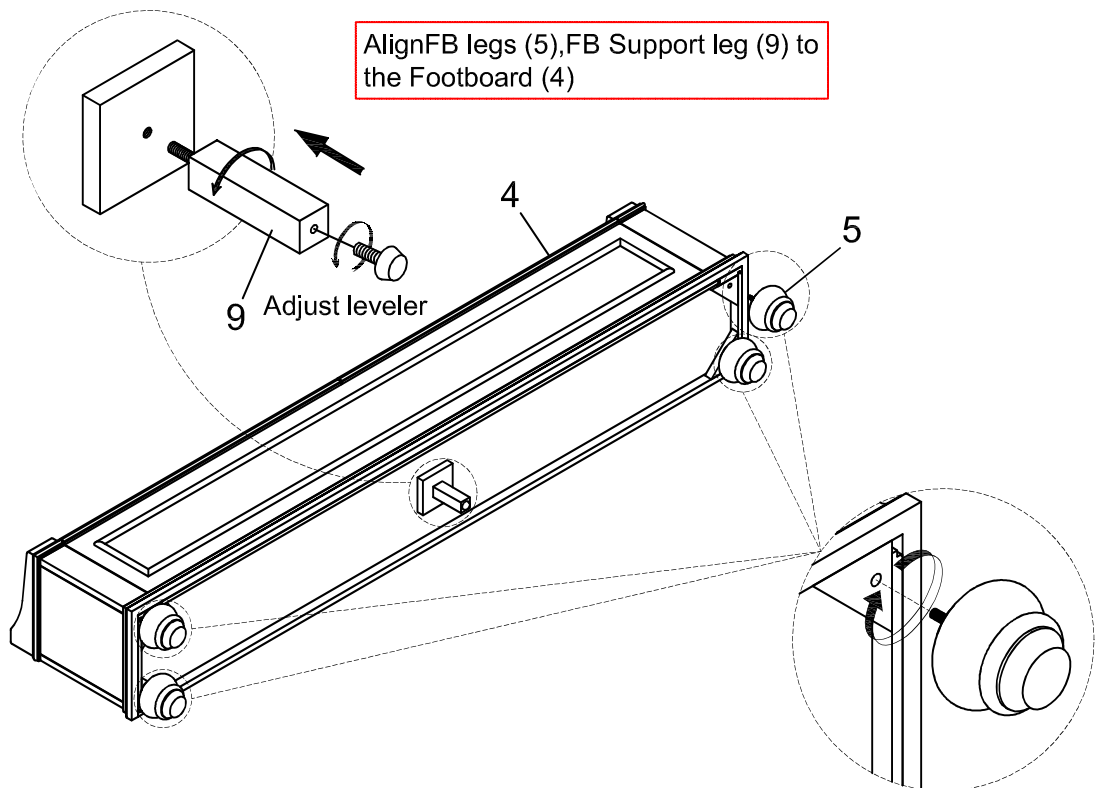
- Part (1) x1pc
- Part (2) x2pcs
- Part (3) x1pc
- Hardware (A) x8pcs
- Hardware (B) x8pcs
- Hardware (C) x8pcs
- Hardware (D) x1pc



## 2

- Part (4) x1pc
- Part (5) x4pcs
- Part (9) x1pc

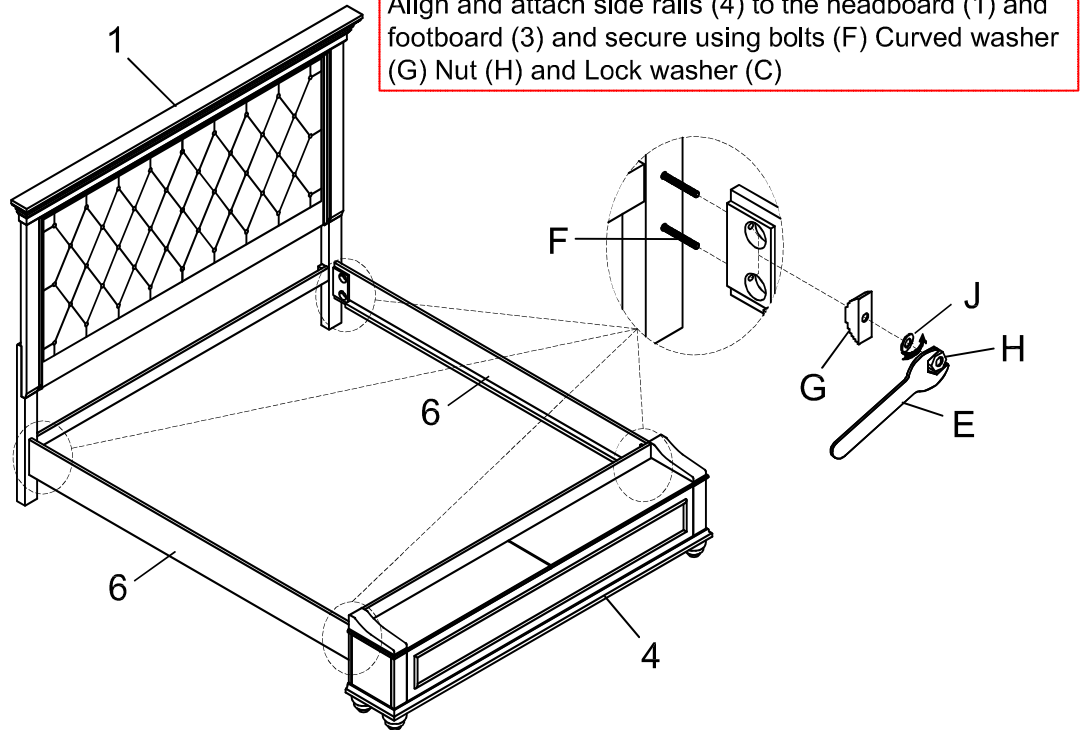
Align FB legs (5),FB Support leg (9) to the Footboard (4)



# ASSEMBLY INSTRUCTIONS

## 3

- Part (6) x2ps
- Hardware (E) x1pcs
- Hardware (F) x8pcs
- Hardware (G) x8pcs
- Hardware (H) x8pcs
- Hardware (J) x8pcs

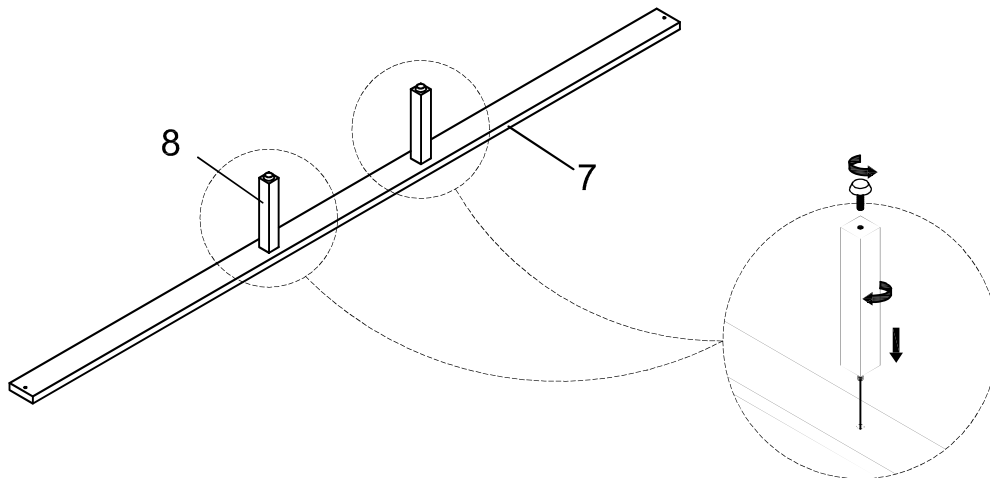


## 4

- Part (7) x4pcs
- Part (8) x4pcs

Attach the Slat support leg (8) to the Slats (7).

x 4

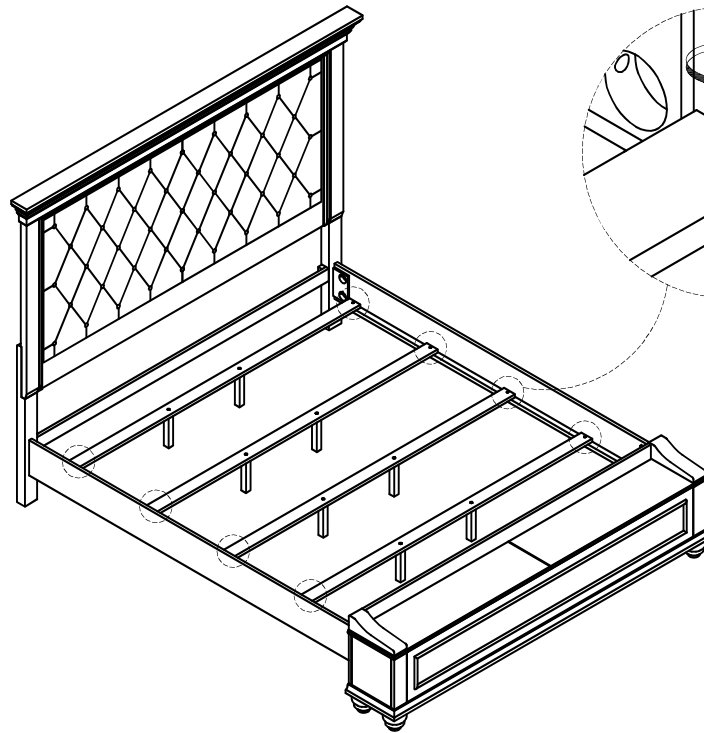


# ASSEMBLY INSTRUCTIONS

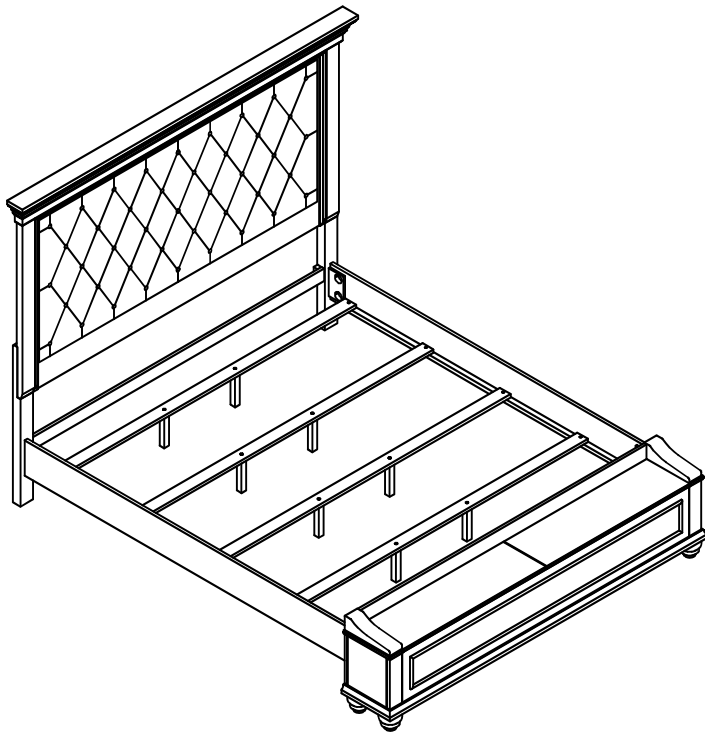
5

Hardware (K) x8pcs

Align slats (7) to the side rails (6), then secure by using screws (K)



6



## ASSEMBLY COMPLETED



Please ensure the furniture rests on an even and flat surface. If the product wobbles or feels loose, double-check all bolts and/or screws are properly tightened and secured.



### Keep this handy!

Please retain this instruction manual and any order-related information for future reference.



### Lift, don't drag!

To avoid damage to product please always LIFT the product when transporting or adjusting the placement.

This product is intended for RESIDENTIAL USE ONLY and not for commercial use.