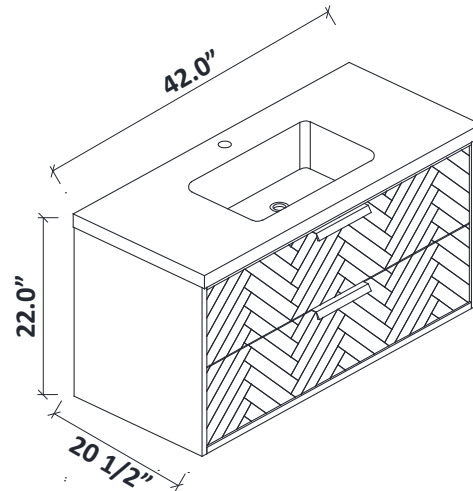
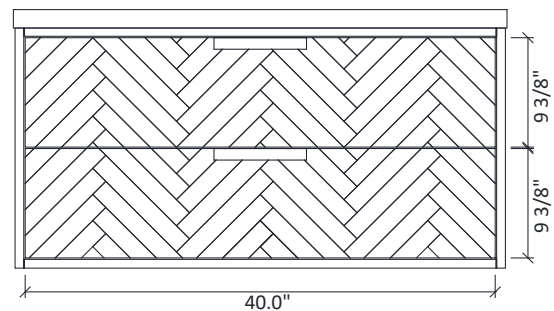
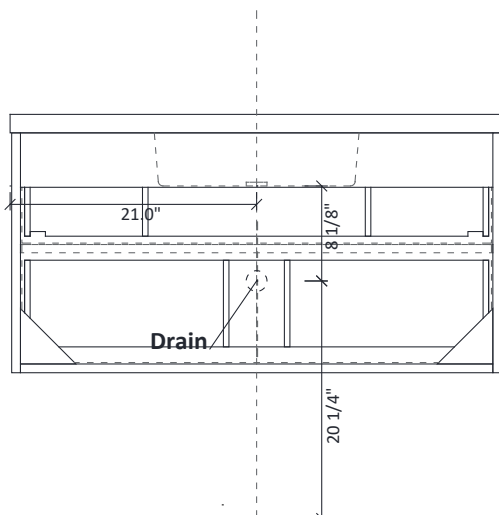
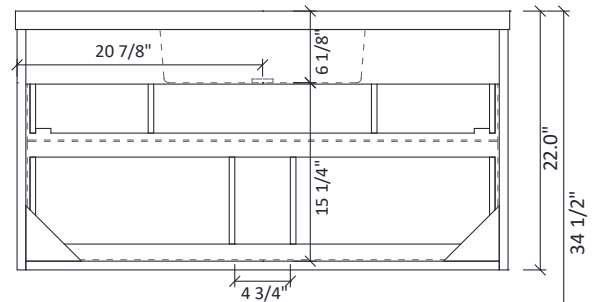
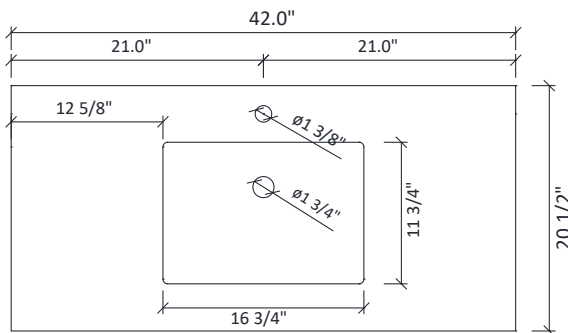


S2405-42 Floating Vanity Installation Instruction



DIMENSIONS



WARNING !

In the hole on the wall, please be sure to be careful to avoid the internal cables and pipelines.



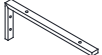
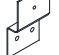



MATERIALS & TOOLS

Safety glasses, Pencil, Level, Tape measure, Stud Finder, Assorted screwdrivers, Assorted Wrenches, Drill, Screw gun, Caulking gun, Hammer, Screws, Nail anchors/Molly screws.

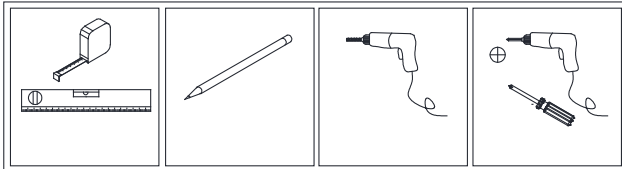
Vanity Installation

Step 1

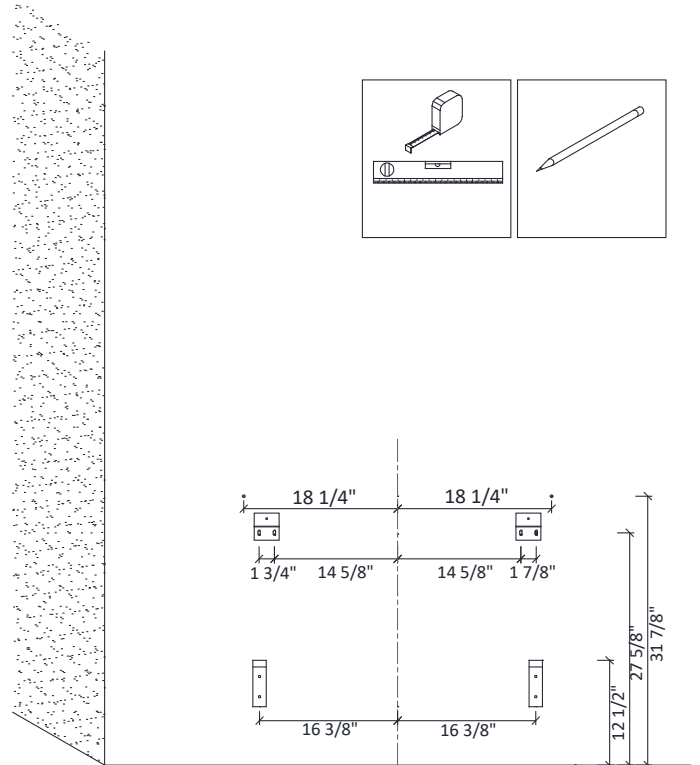
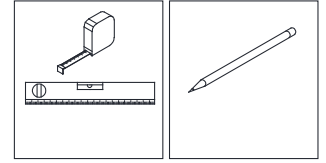
PARTS

 A x6	 6*45 B x6	 C x2	 D x2
 E x10	 3.5*45 F x4	 3.5*15 G x2	

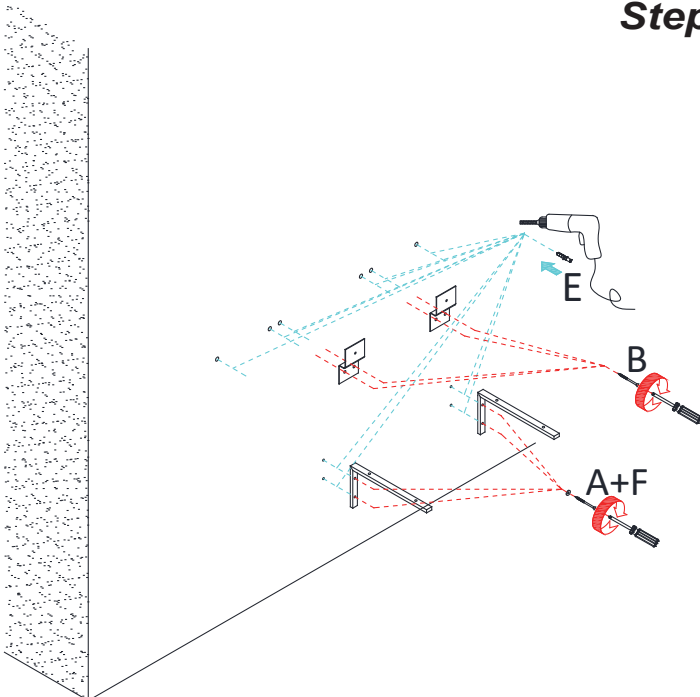
TOOLS REQUIRED



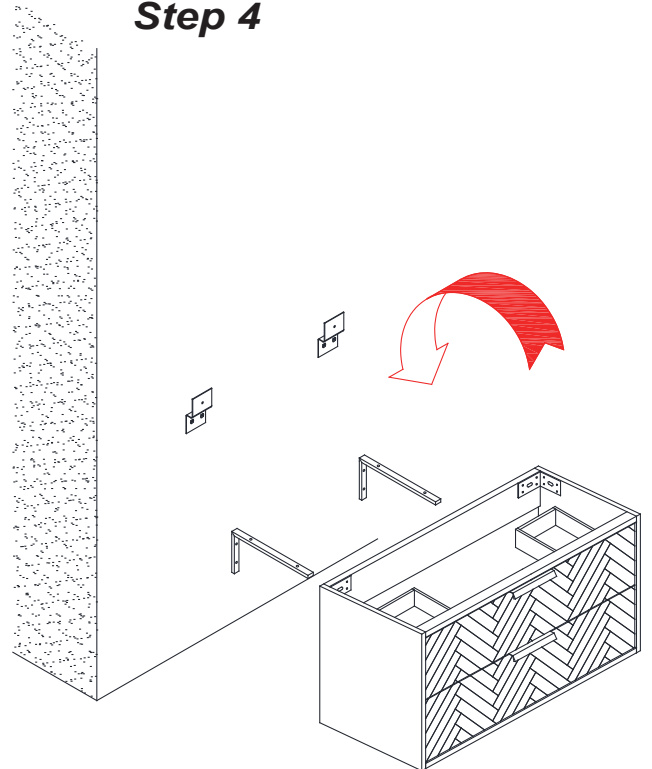
Step 2



Step 3

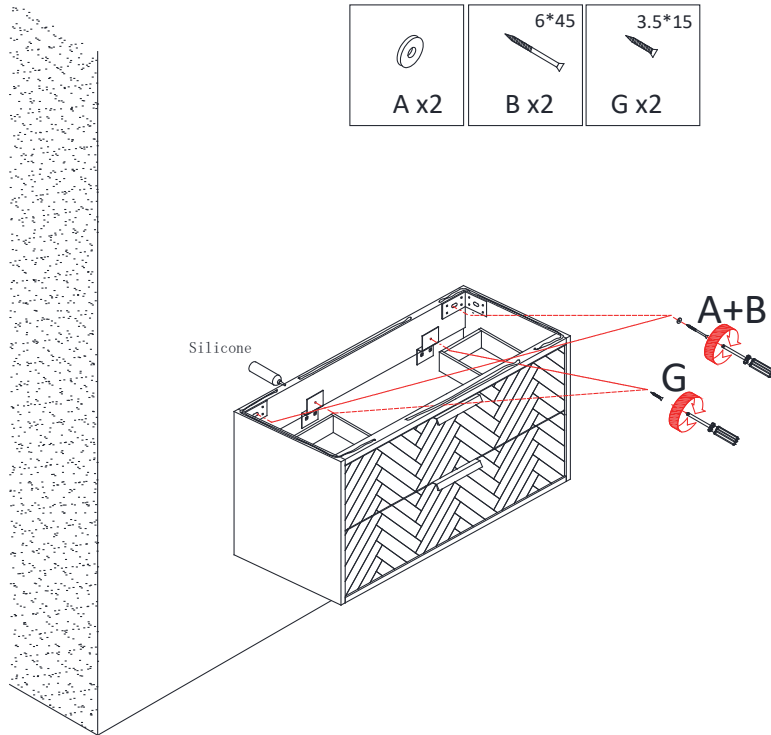


Step 4

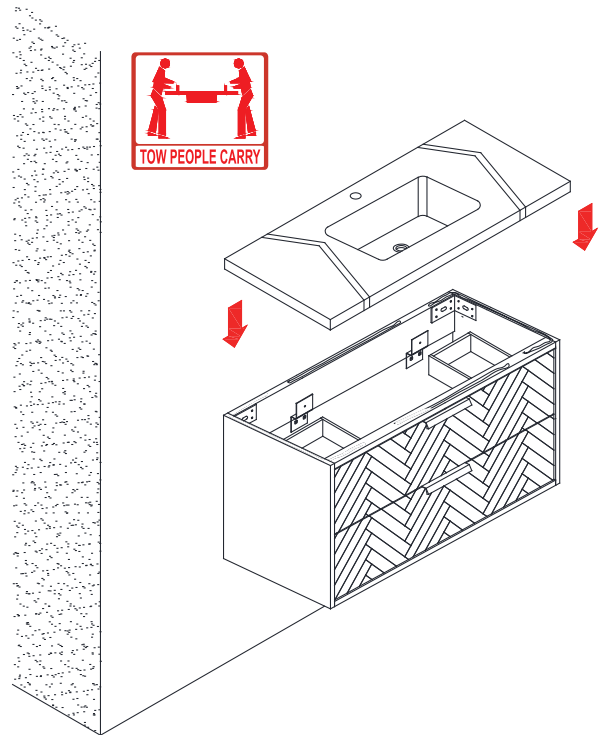


Vanity Installation

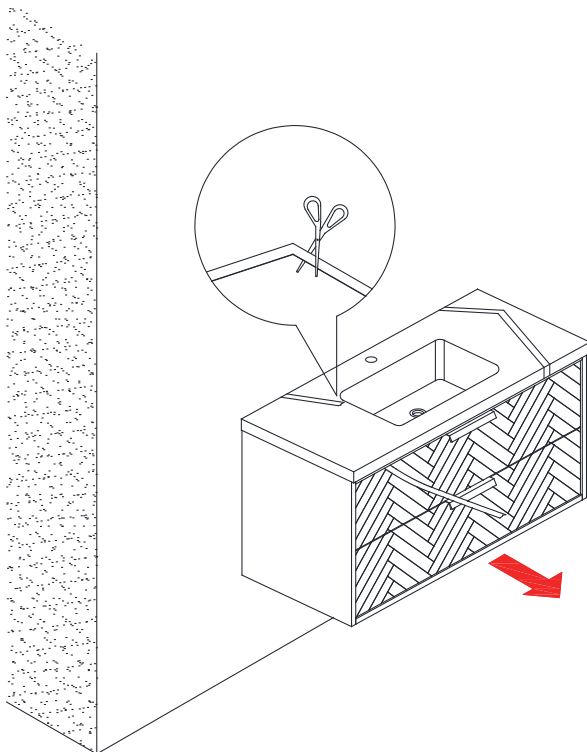
Step 5



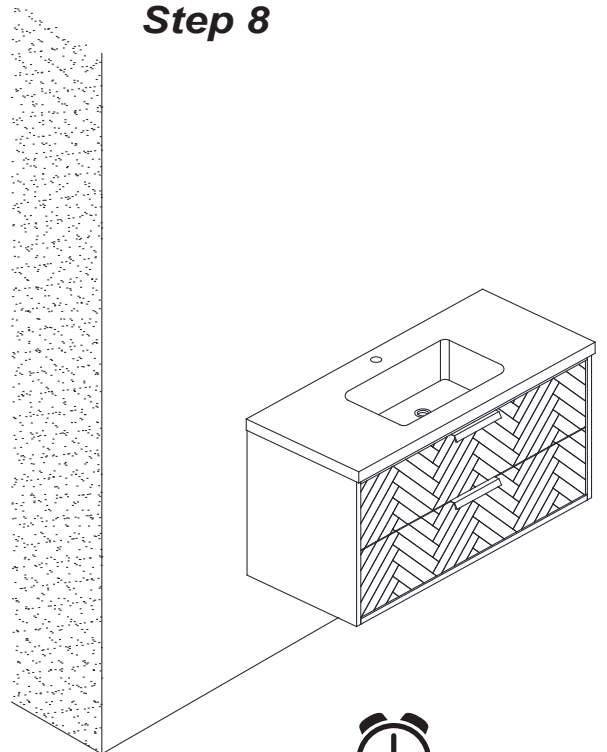
Step 6



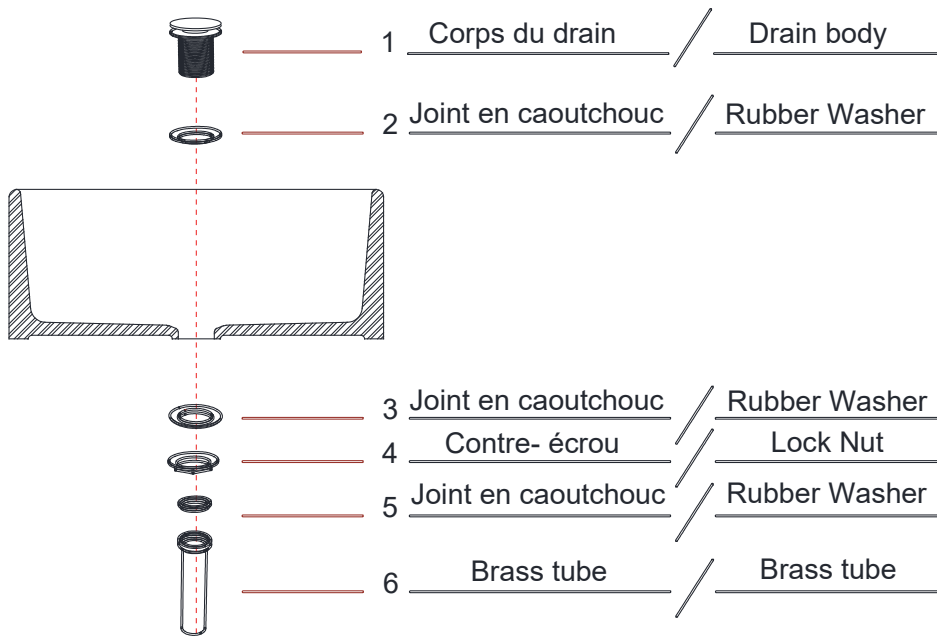
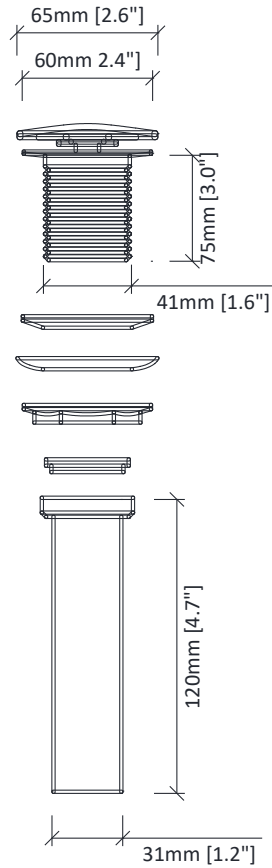
Step 7



Step 8



Drain Installation Instruction



WARNING !

In the hole on the wall, please be sure to be careful to avoid the internal cables and pipelines.