
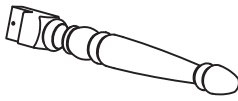






# Assembly Instruction

## SOLID TOP EXTENSION LEG TABLE

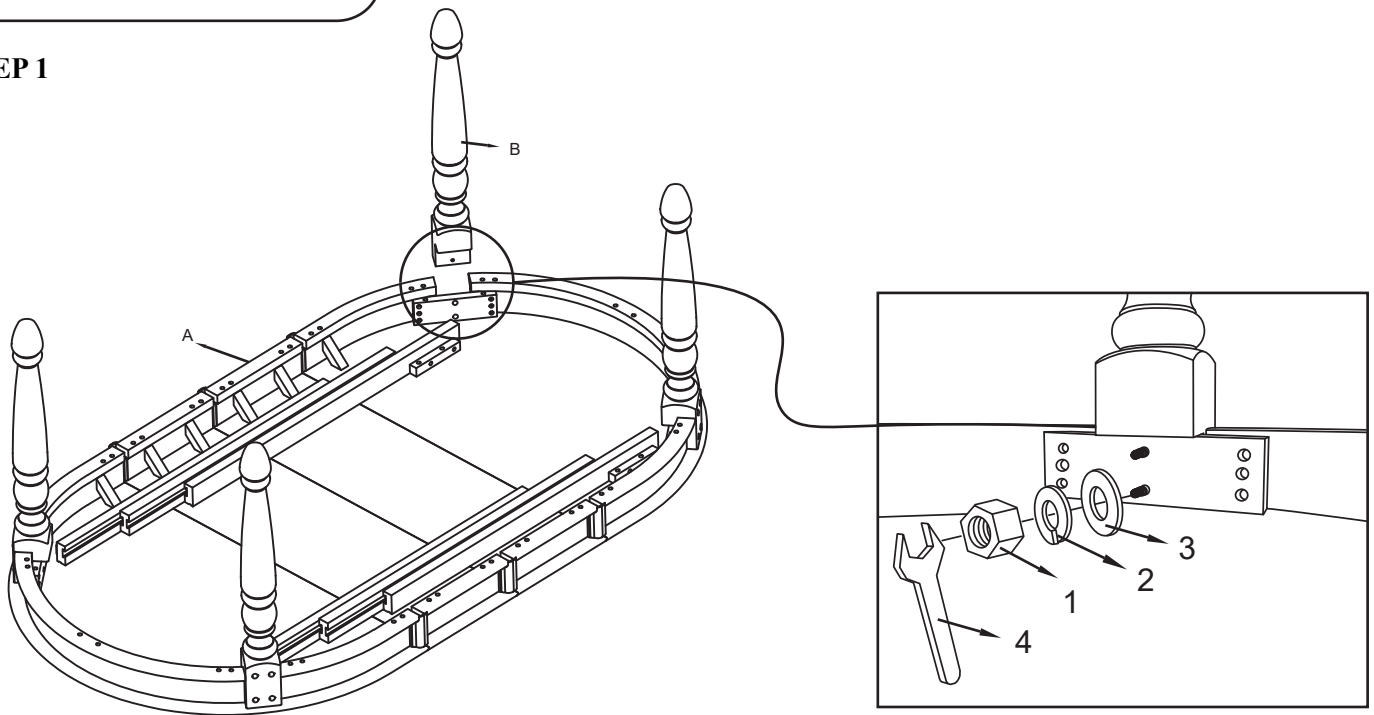
NO	Parts List		Q'TY
A		Table Top	1
B		Leg	4

NO	Hardware List		Q'TY
1		Hex Bolt 5/16"	8
2		Lock Washer 5/16"	8
3		Flat Washer 5/16"X22X1.2mm	8
4		Wrench 12.8mm	1

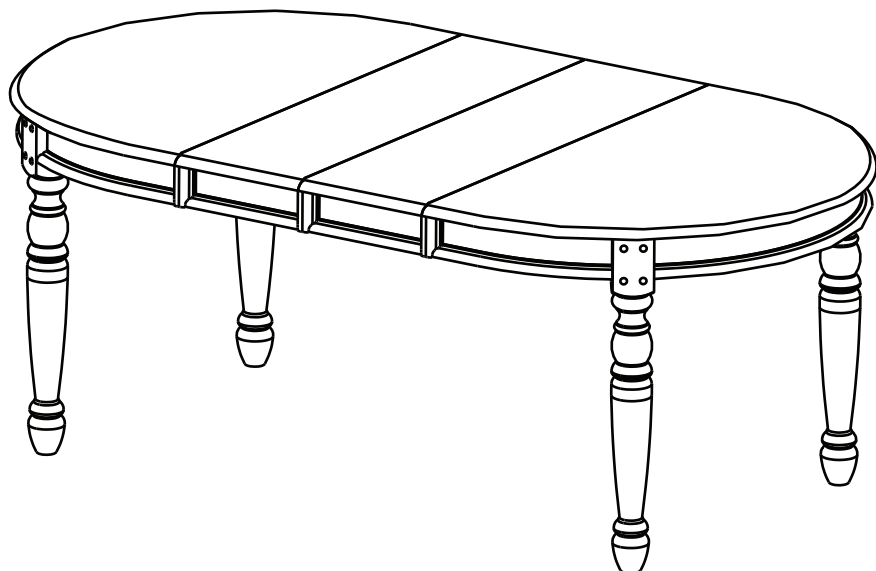
### Important Note

Need 2 adult to flip over the assembled table. Do not lean any weight on table leg during the flipping process.

### STEP 1



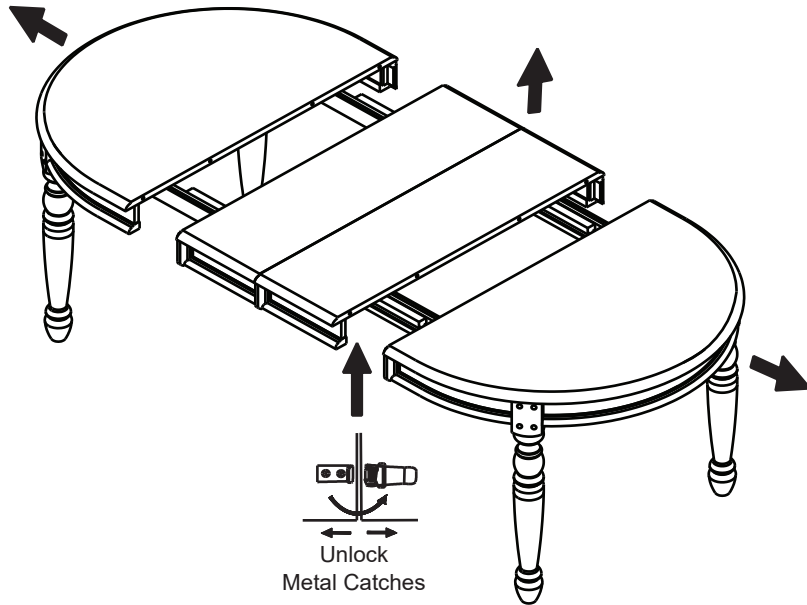
### STEP 2



# Assembly Instruction

## SOLID TOP EXTENSION LEG TABLE

### STEP 3



### STEP 4

