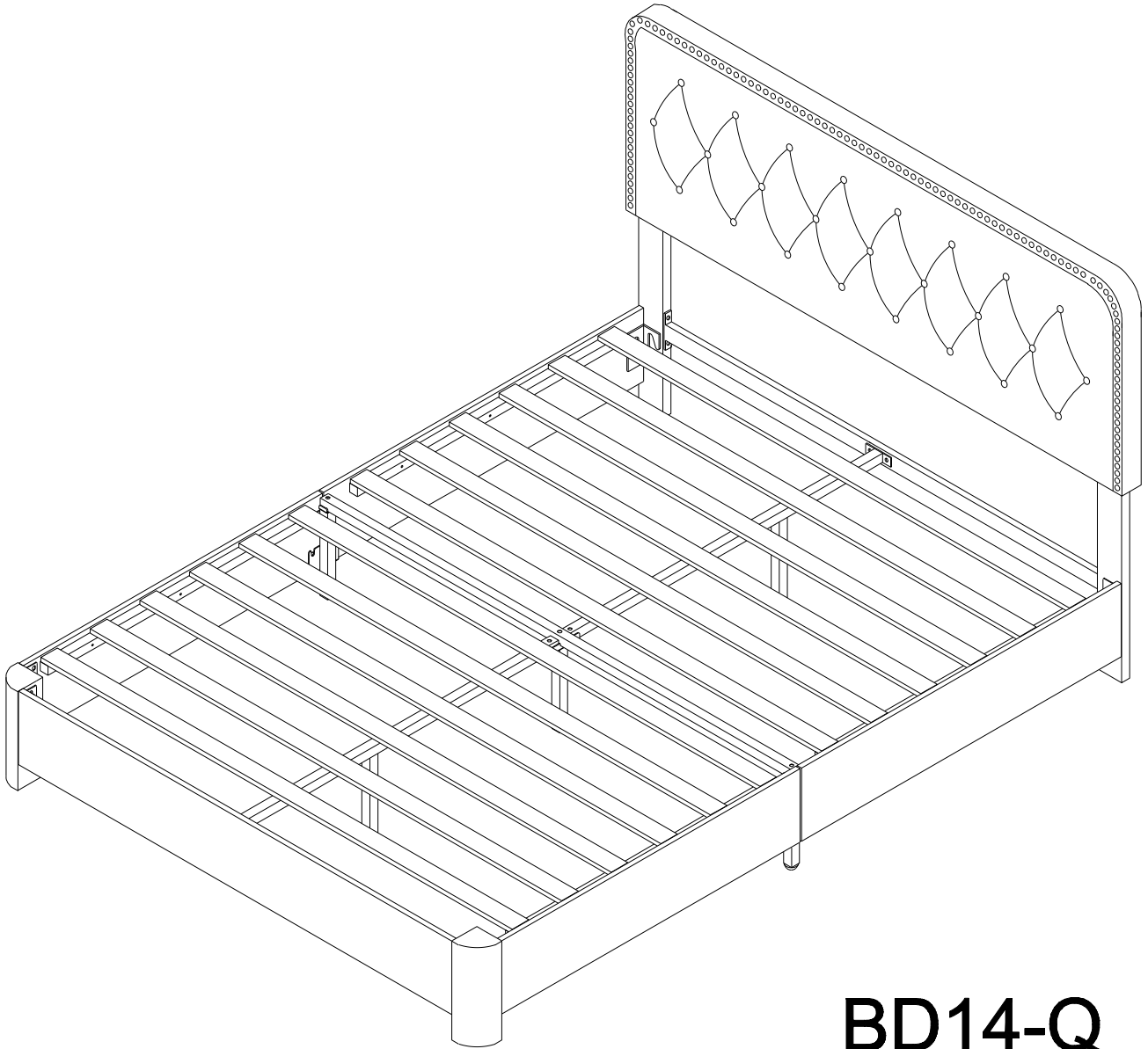


Upholstered Platform Bed



BD14-Q

Dear Customers,

Thank you for purchasing our product. Please read this instruction manual carefully after receiving this product. It will help you assemble this product quickly, safely and correctly. You can keep this manual for future reference.

QUESTIONS? CONTACT US:

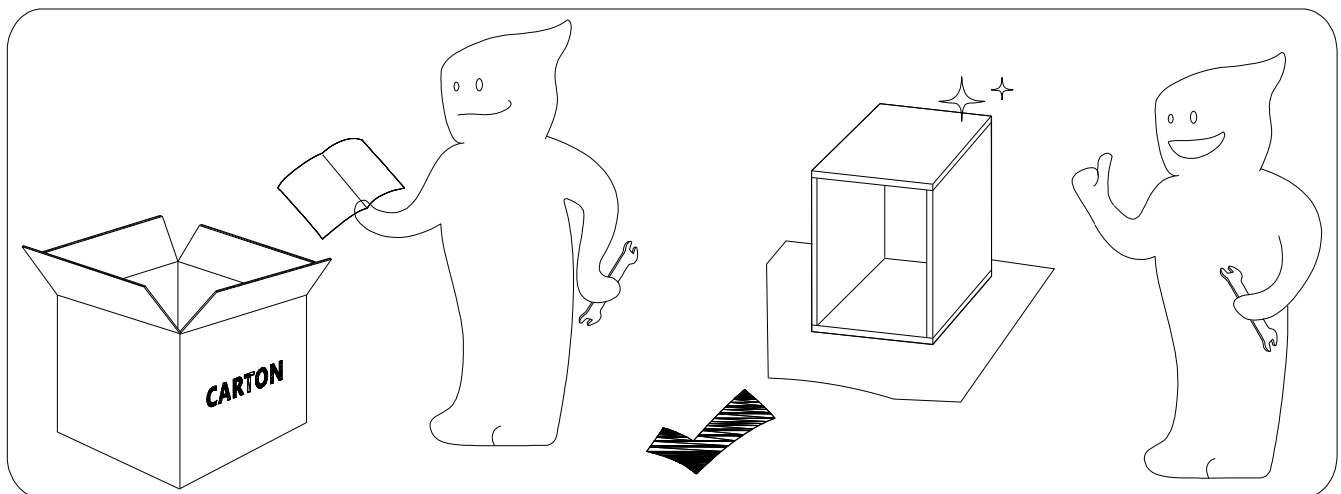
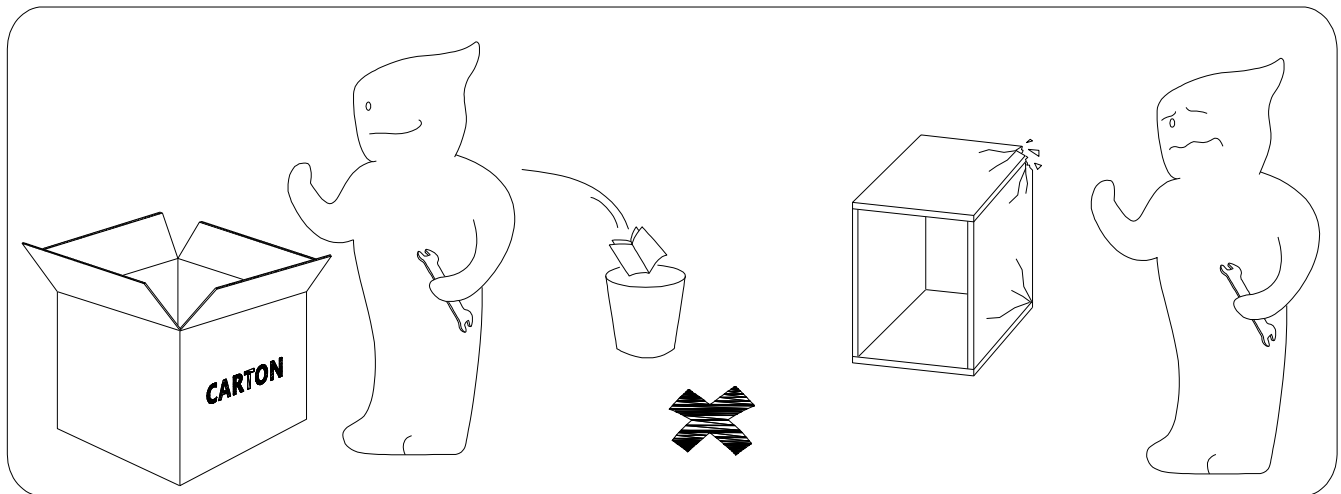
Email:customerservice@hkfoam.com

If in any case, you are not 100% happy with the item received, would you please contact us first and give us a chance to make it right for you? All of our products are covered by warranty and we will do our best to address any of your concerns. We are dedicated to your 100% satisfaction with your order.



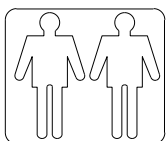
IMPORTANT

Please follow the instruction manuals and use a pad to protect the product during your assembly.

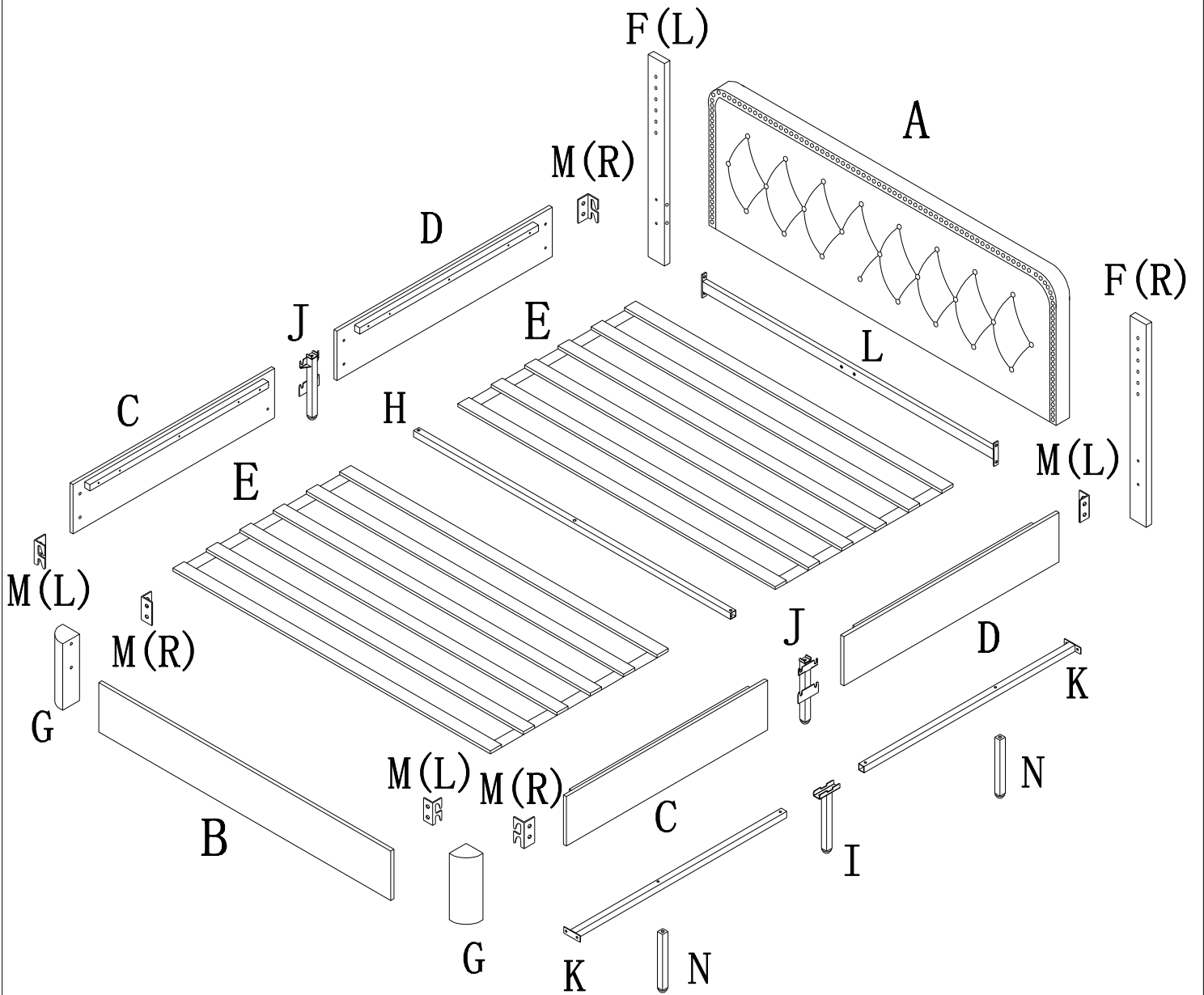


Note:

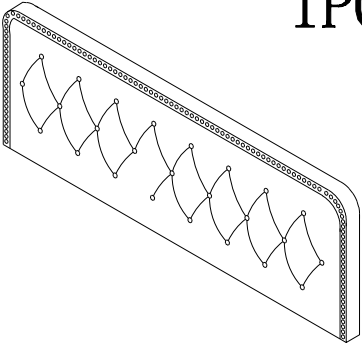
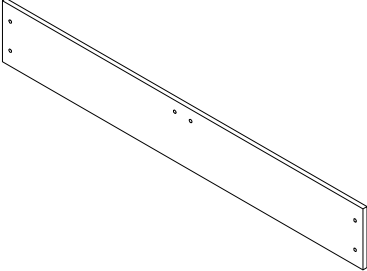
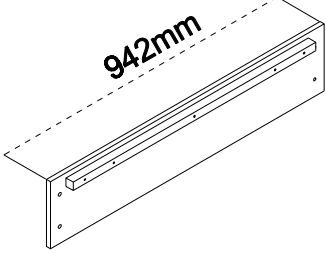
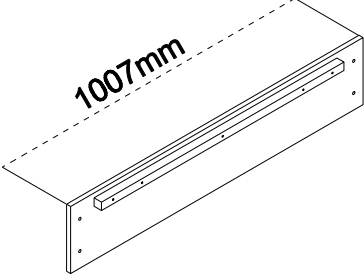
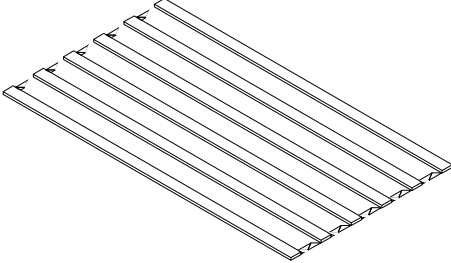



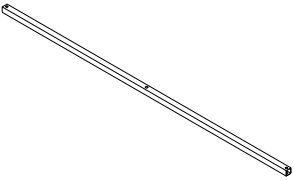
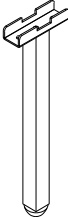
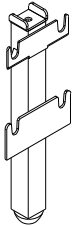
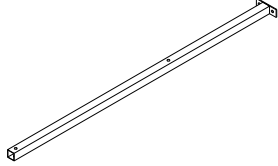
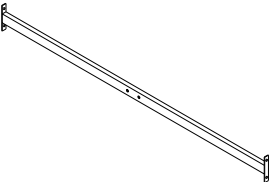
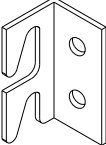
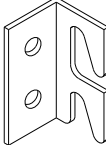

1. Should be assembled on flat ground to keep balance.
2. Before completing the installation, do not tighten the screws.



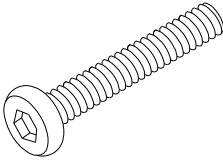
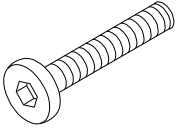
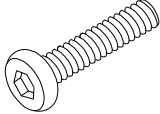

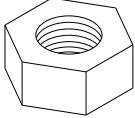

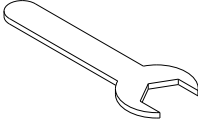
For easier and better assembly, 2 or more adults are required.



Part list

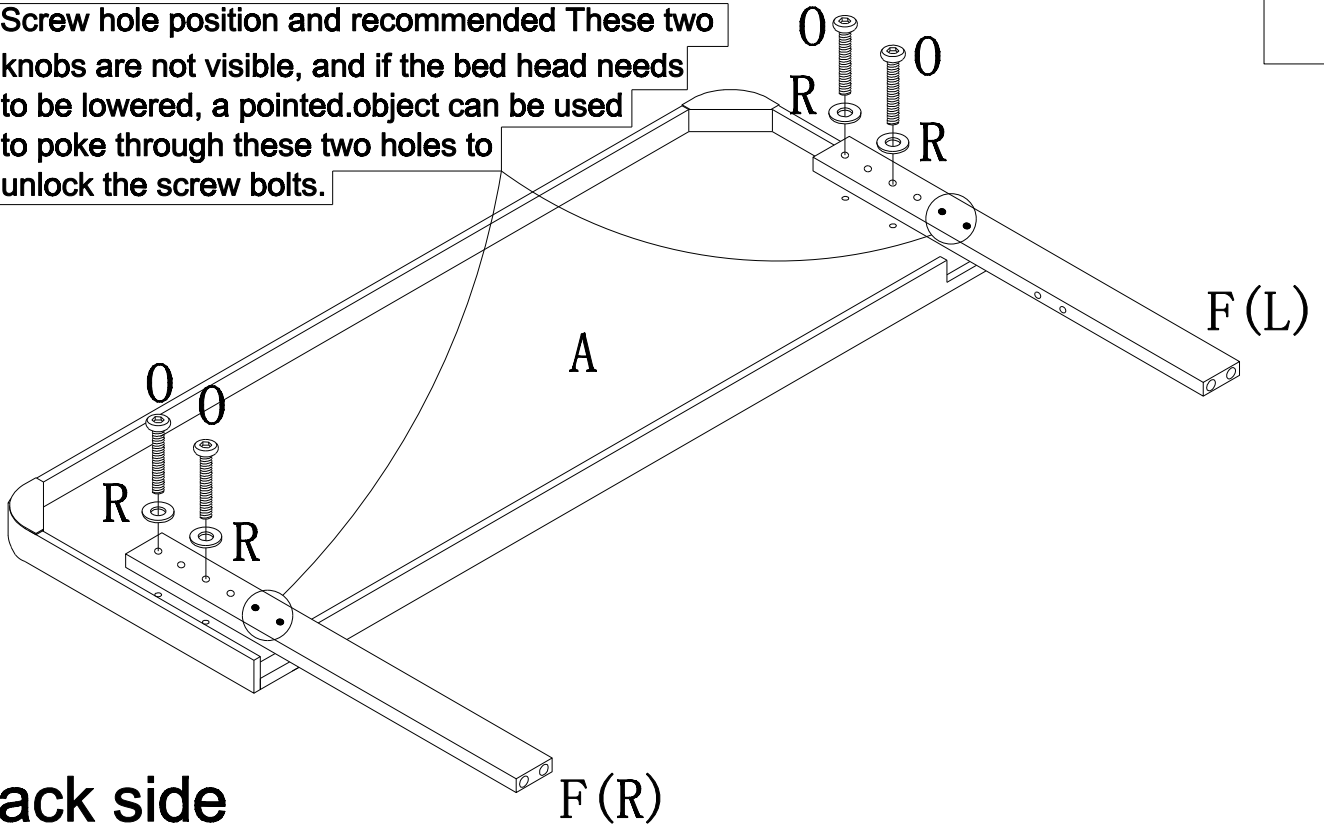
A 1PC 	B 1PC 	C 2PCS 
D 2PCS 	E 2PCS 	F (L) 1PCS 
F (R) 1PCS 	G 2PCS 	H 1PC 
I 1PC 	J 2PCS 	K 2PCS 
L 1PC 	M (L) 3PCS 	M (R) 3PCS 
N 2PCS 		

Hardware list

O	P	Q
4PCS	21PCS	26PCS
 M8*55mm	 M8*35mm	 M8*20mm
R	S	T
53PCS	2PCS	1PCS
 Ø19*Ø8.5	 M8	 M8
U		
1PC		
 M8		

1



Screw hole position and recommended These two knobs are not visible, and if the bed head needs to be lowered, a pointed object can be used to poke through these two holes to unlock the screw bolts.



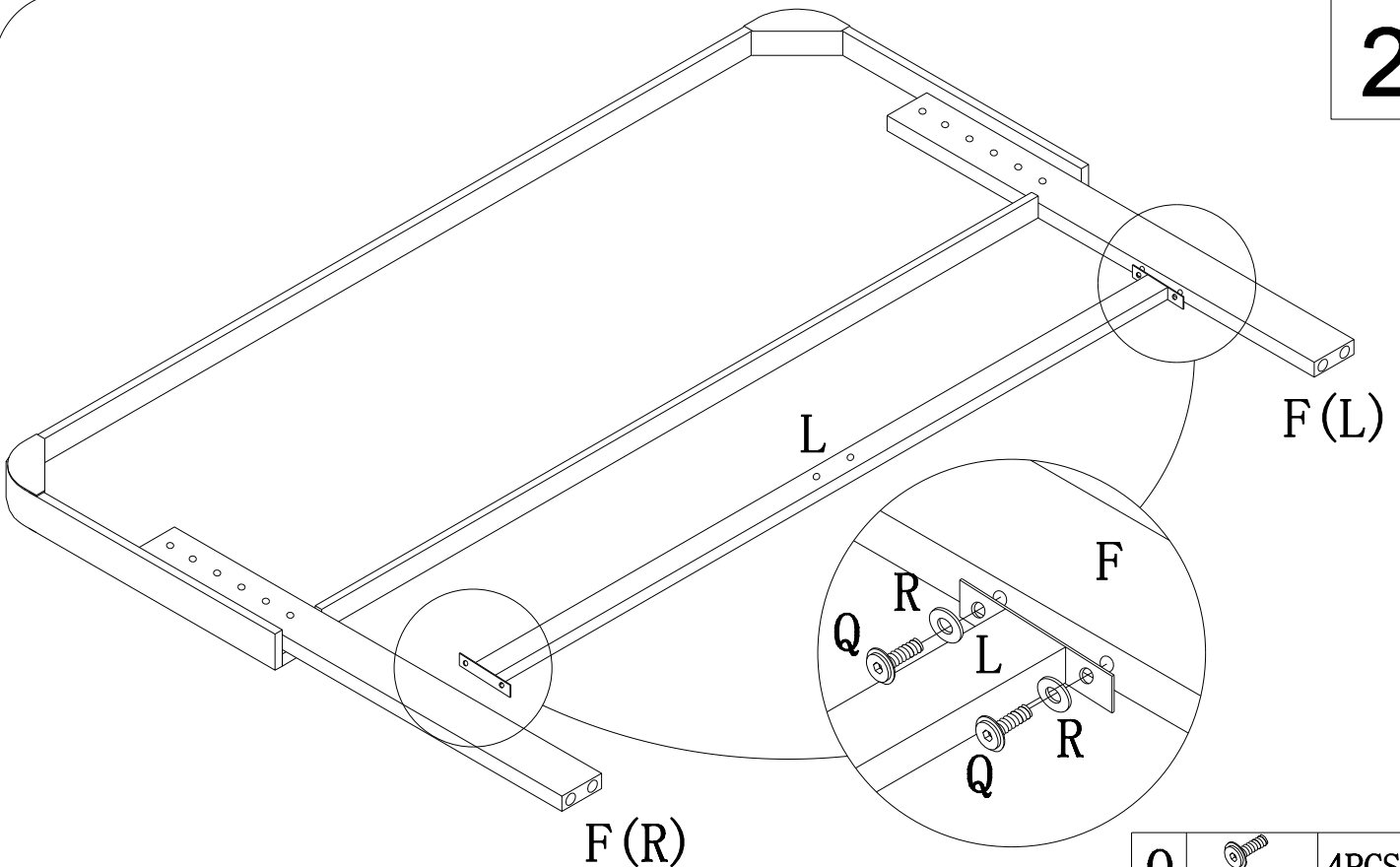
Back side

Headboard height is adjustable



NOTE:Please do not completely tighten all the hardware until the entire assembly is complete!

O	 M8*55mm	4PCS
R	 Ø19*Ø8.5	4PCS

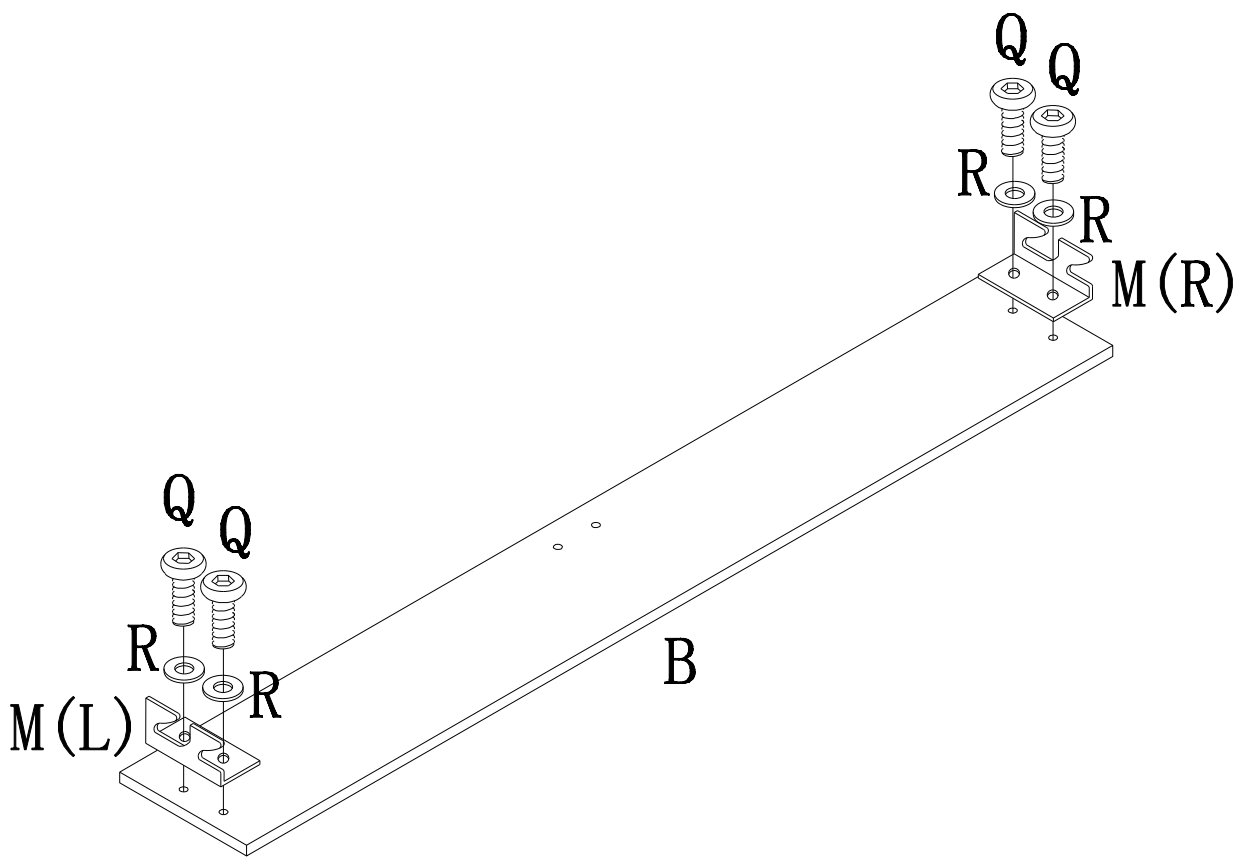
2





Back side

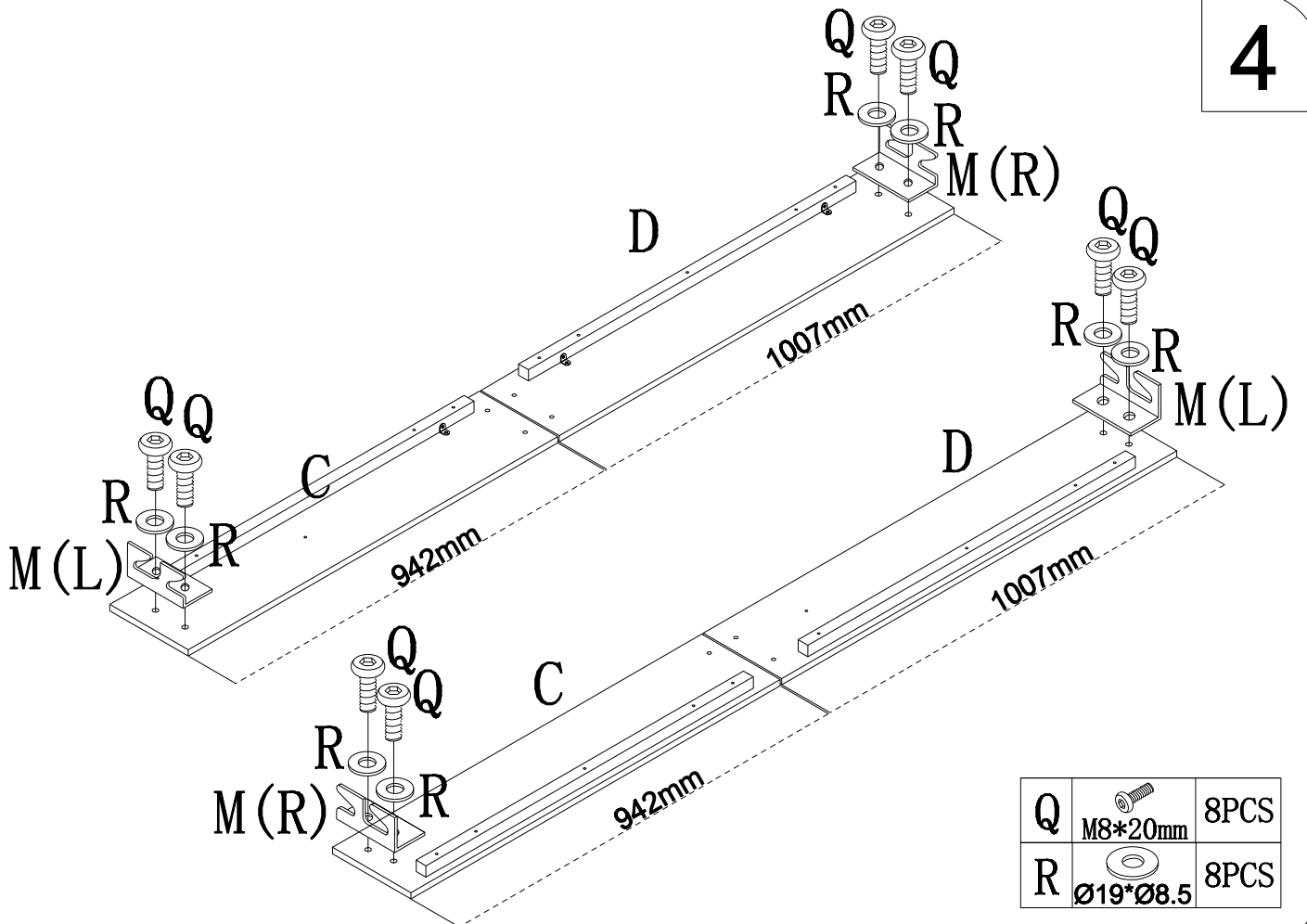
Q	 M8*20mm	4PCS
R	 Ø19*Ø8.5	4PCS



3



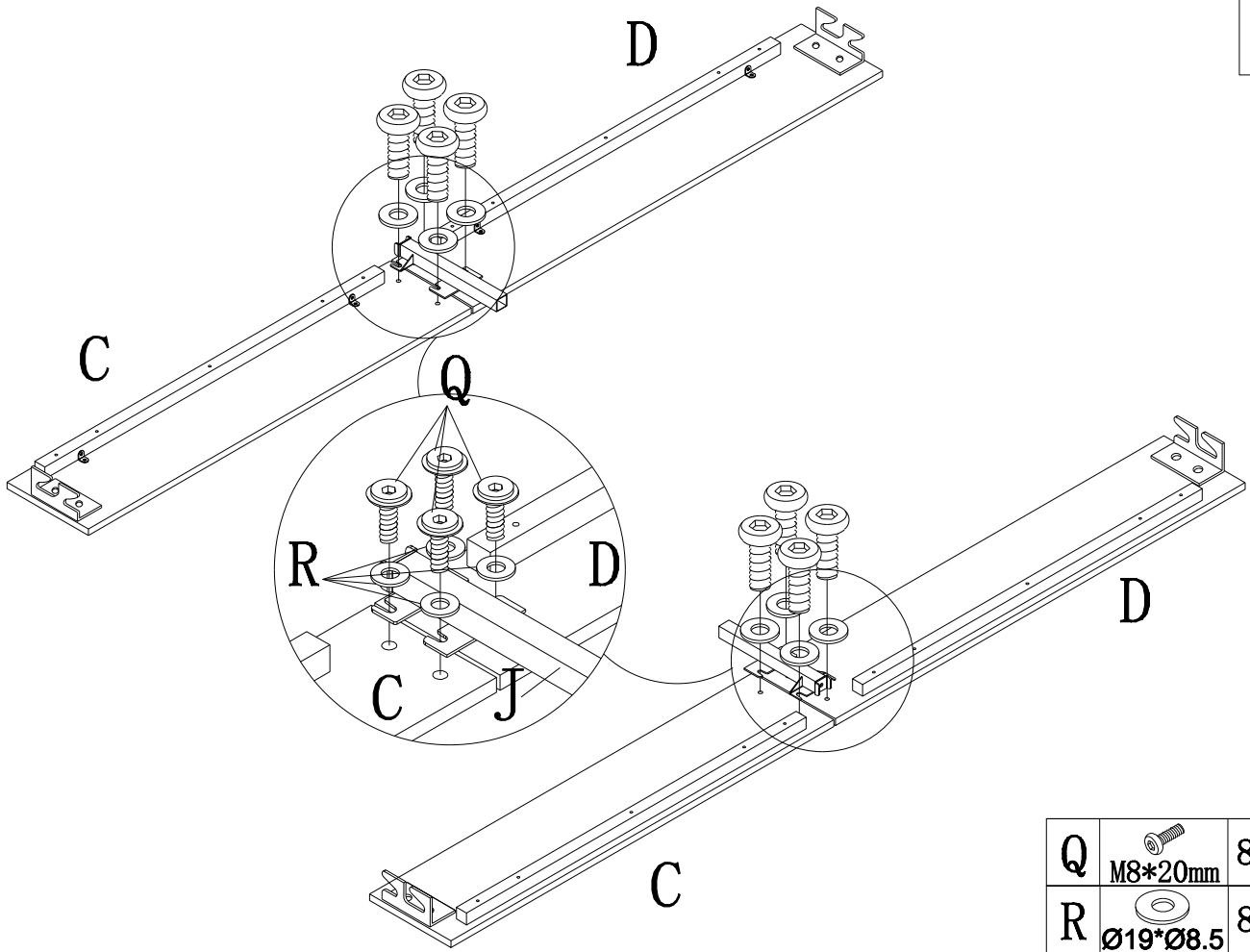
Q	 M8*20mm	4PCS
R	 Ø19*Ø8.5	4PCS



4



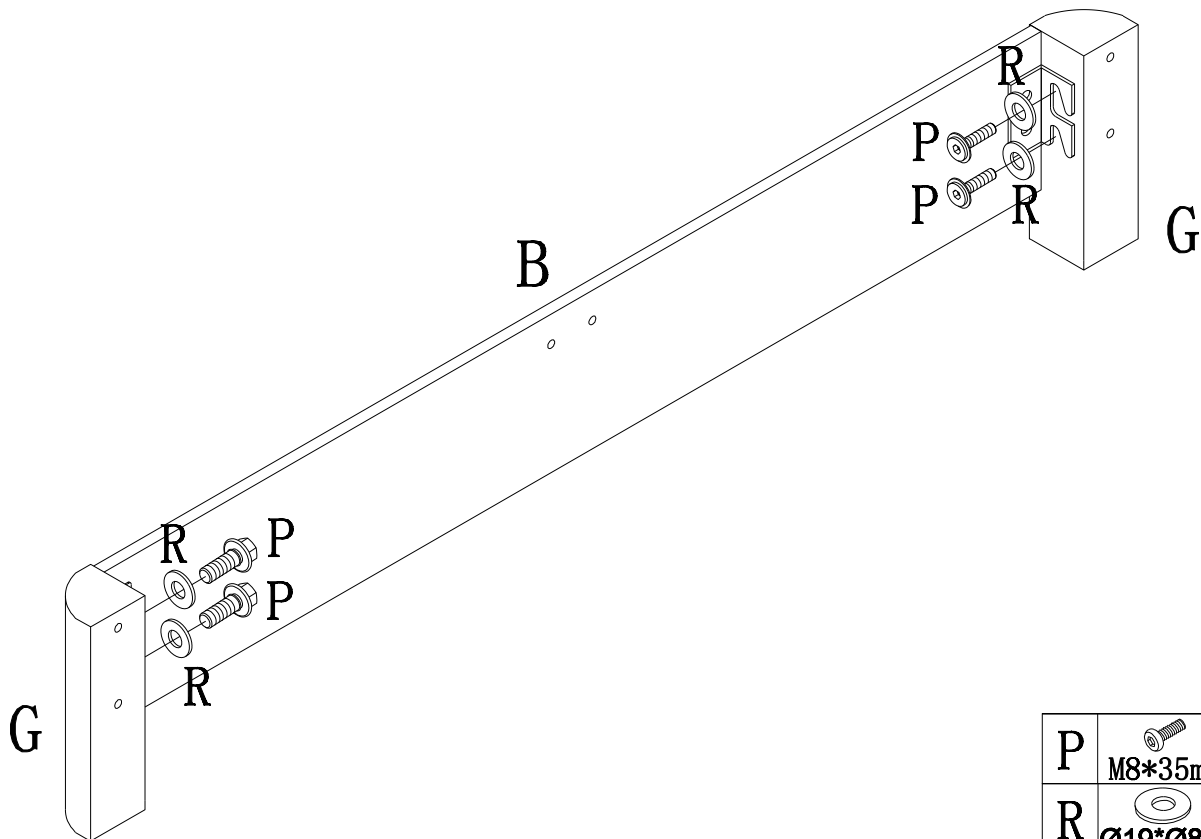
Q	 M8*20mm	8PCS
R	 Ø19*Ø8.5	8PCS



5



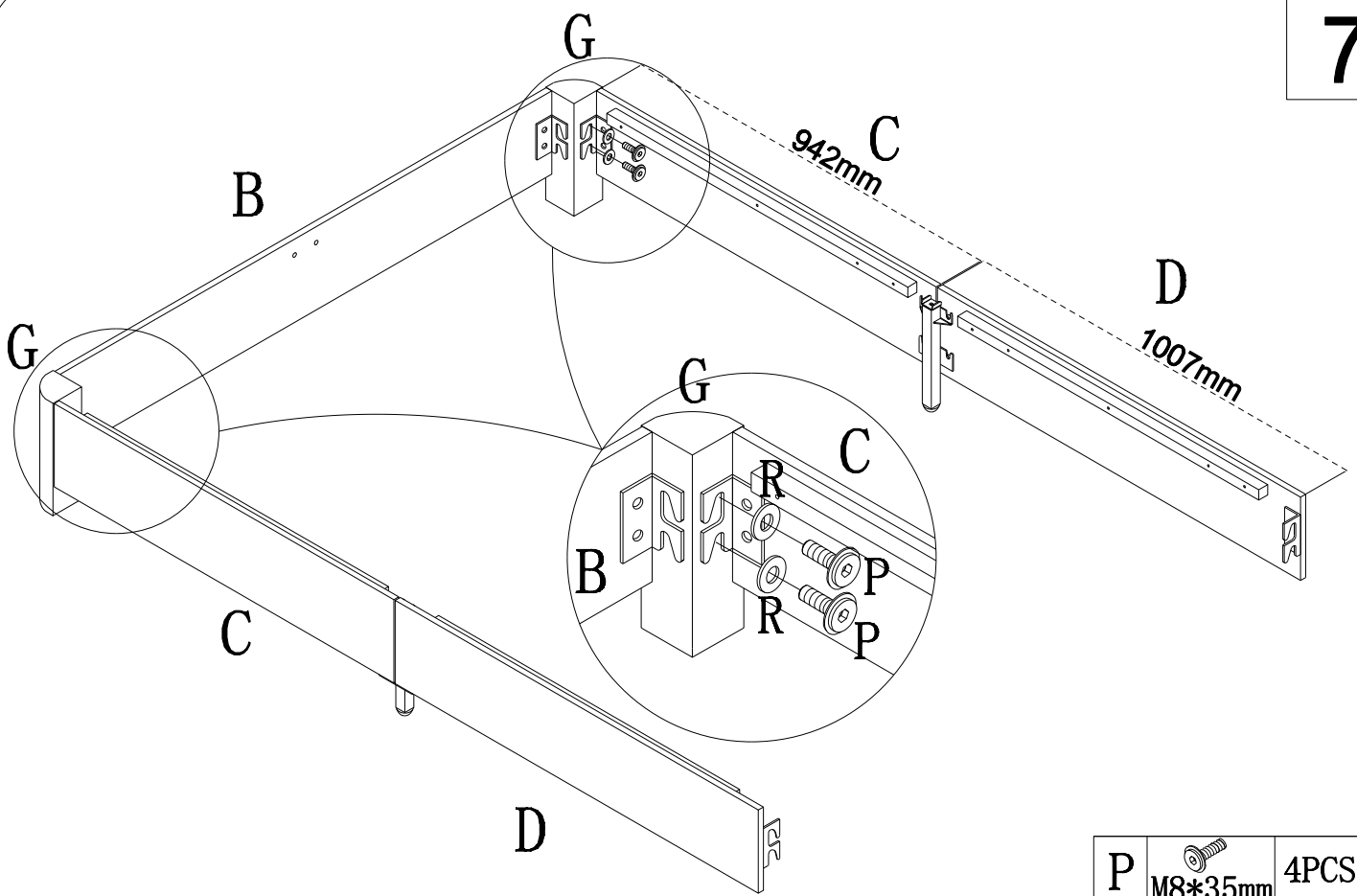
Q	 M8*20mm	8PCS
R	 Ø19*Ø8.5	8PCS



6



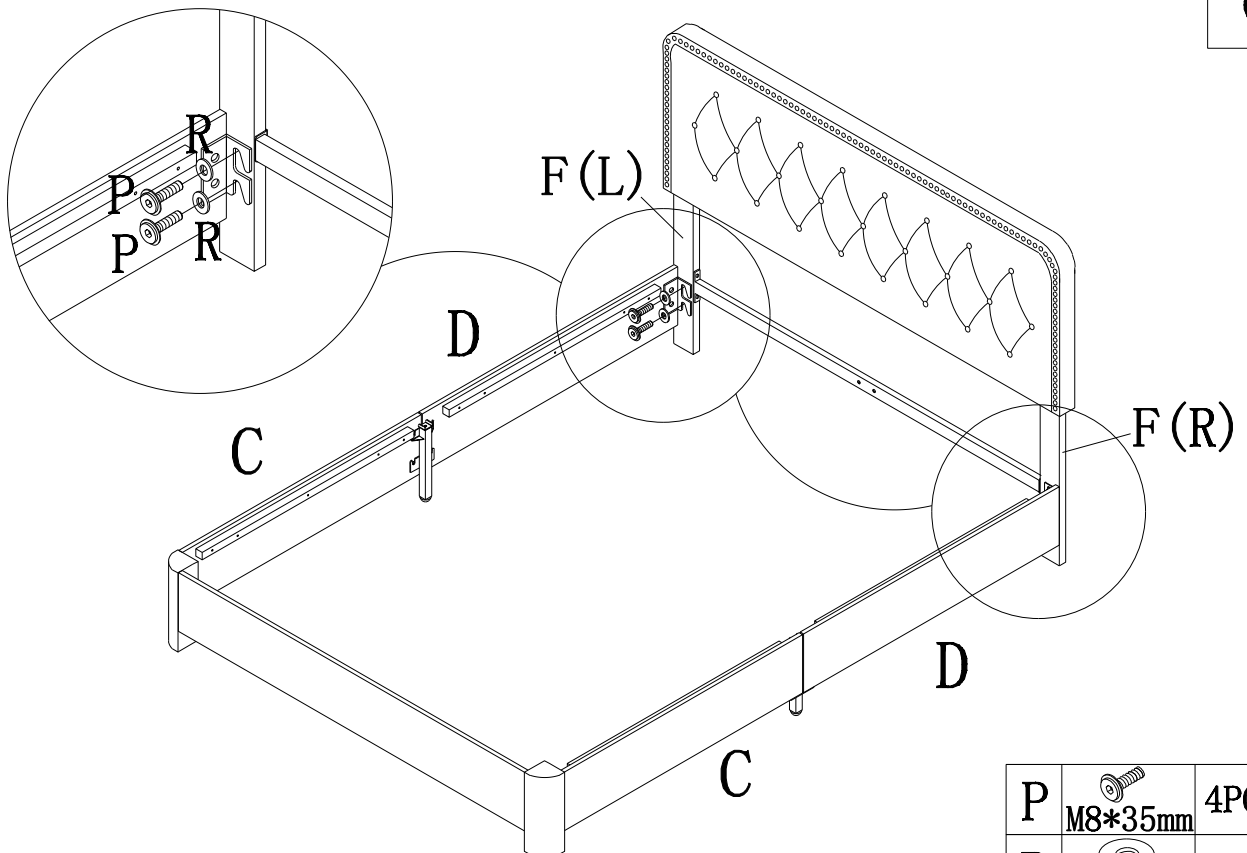
P	 M8*35mm	4PCS
R	 Ø19*Ø8.5	4PCS



7

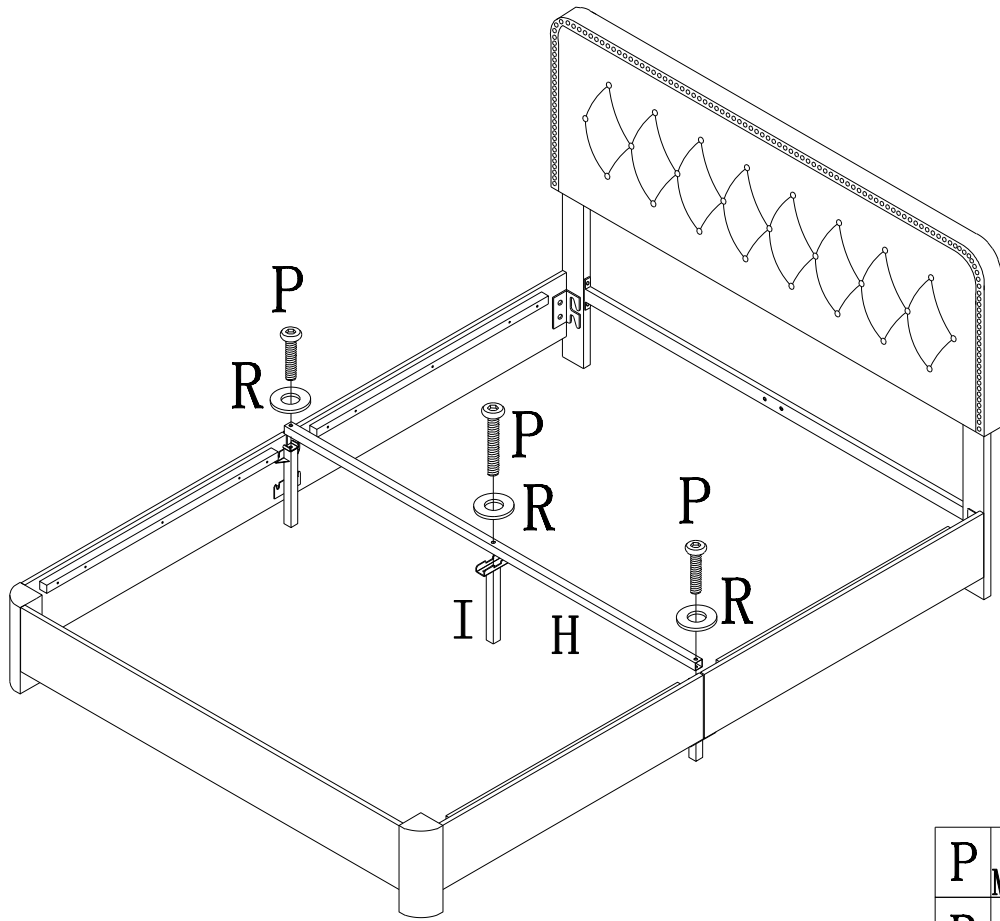




P		4PCS
R		4PCS

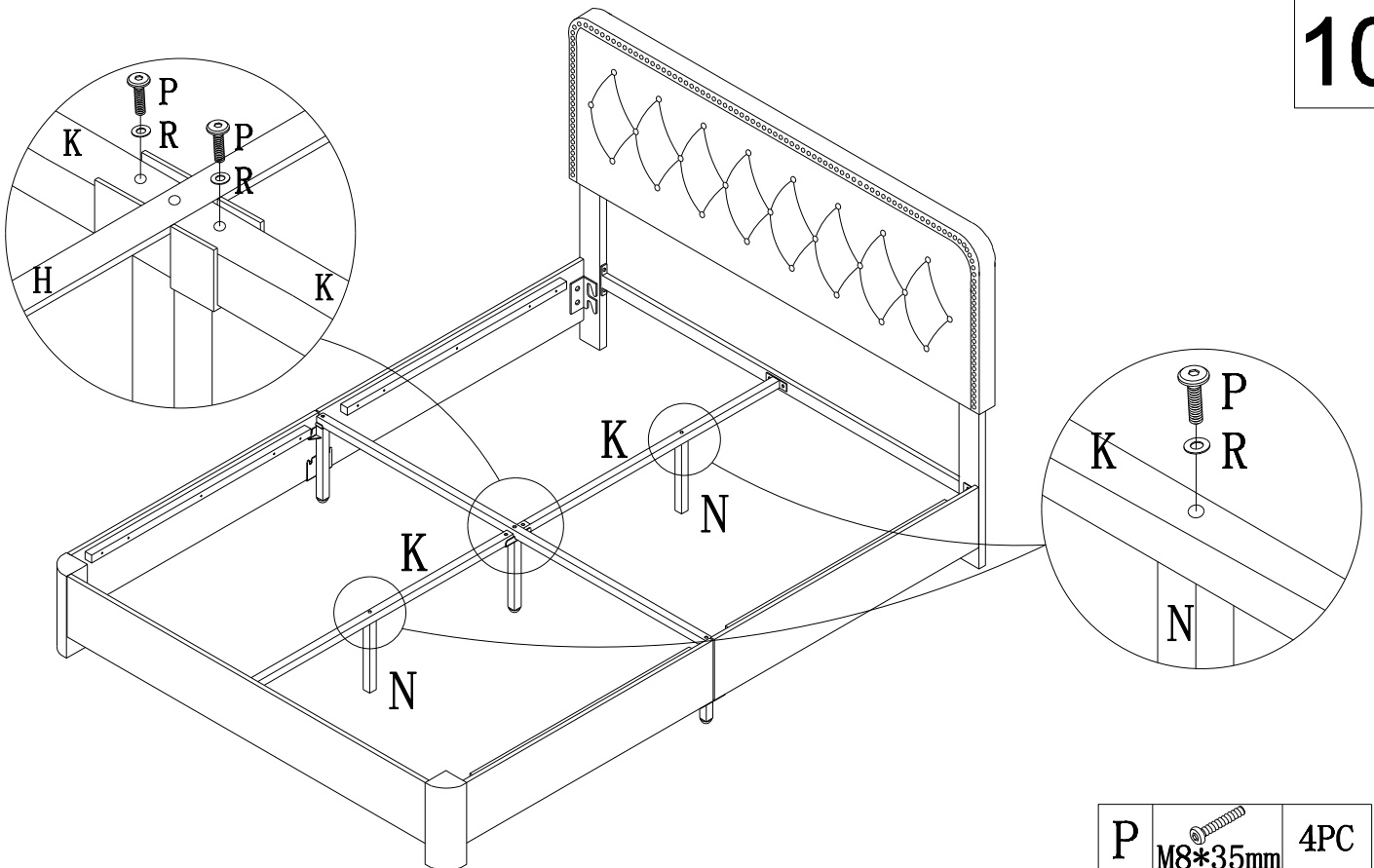
8





P		4PCS
R		4PCS

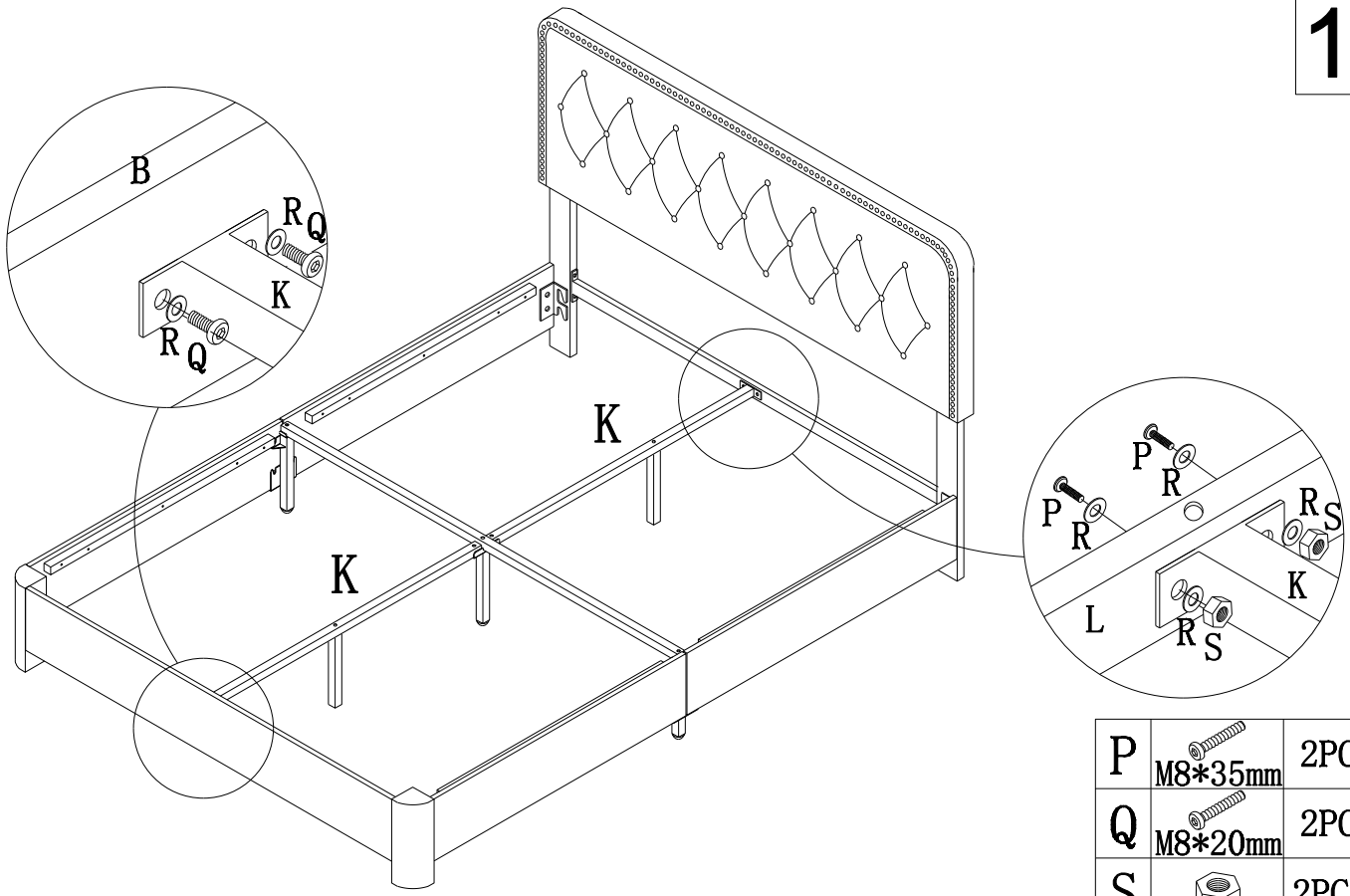




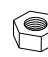

P	 M8*35mm	3PCS
R	 Ø19*Ø8.5	3PCS



P	 M8*35mm	4PC
R	 Ø19*Ø8.5	4PCS

11



P	 M8*35mm	2PC
Q	 M8*20mm	2PC
S		2PCS
R	 Ø19*Ø8.5	6PCS

12

