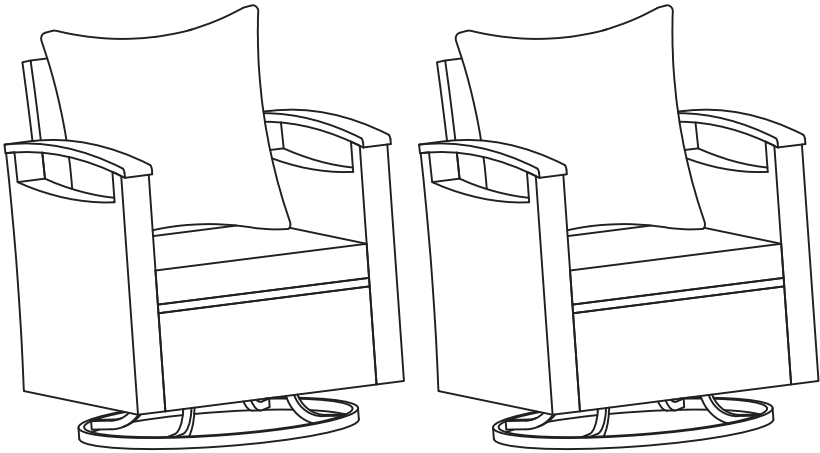


Steel wicker chair set



Thank you for choosing us!

Our goal is to provide high quality outdoor furniture with outstanding customer service-all at an affordable price.

Please let us know how we are doing!


Problems?

(Missing pieces, wrong pieces...)

Happy?

Please leave us a review!

You can make others happy too!

 **Tip:** We recommend flattening the boxes to use as a protective work surface, or setting up your new furniture on a soft floor like a carpet.



**IMPORTANT, RETAIN FOR
FUTURE REFERENCE:
READ CAREFULLY.**

Safety

- For domestic use only.
- Always use on firm level ground.
- Don't tighten all the bolts before the product is fully assembled.
- It would be useful to ask someone to help you assemble the product.
- Periodic structural checks of this product should be undertaken, do not use if you have any doubts about its fitness for purpose.
- Do not stand on the seat.
- Do not let children play with this product.
- Maximum load per seat: 250 lbs.

At the beginning of the season

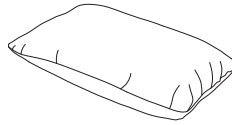
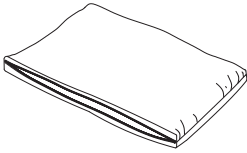
- Check to ensure that all components and fixings of this product are secure, do not use if you have any doubts about its fitness for purpose.

At the end of the season

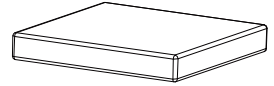
- This product should be stored under cover during prolonged spells of adverse weather (wet or cold) and also during the winter (ideally in a garden shed or garage).
- Always clean and dry thoroughly before storage.

How to Put on the Cushion Cover

1

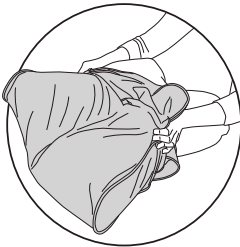


OR



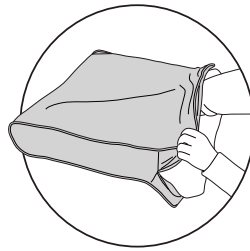
1. Take the cushion covers and inners out of the carton.

2



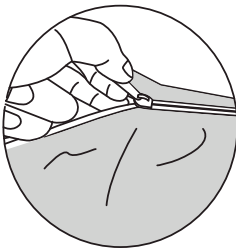
2. Fold the inner in half, pushing the sides together, then begin to slide the cover onto it.

3



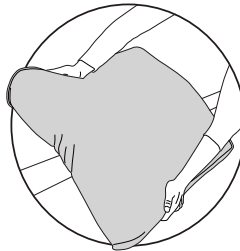
3. Align both far corners, then gently compress insert while fitting cover around it.

4



4. To avoid a stuck zipper, please pull the fabric away from the zipper before moving forward.

5



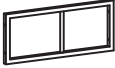





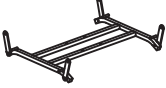






5. When all done, please pat the cushion or give it a little shake to make it more flat.









Care & Cleaning Guidelines

The covers are machine washable. Before washing, please zip the cover up to avoid catching other clothes. You can clean the dust on the chair / table / footstool with a damp cloth.

COMPONENT LIST – SINGLE CHAIR X 2

Item no.	Reference Image	Description	Qty.
A		Left Armrest	1
B		Right Armrest	1
C		Front Panel	1
D		Seat Base	1
E		Seat Back	1
F		Metal Support Bar A	1
G		Metal Support Bar B	2
H		Metal Base	1
I		Metal Stand	1
J		Seat Cushion	1
K		Back Cushion	1
R1		M6X40 Head Cap Screw	20
R2		M6X80 Head Cap Screw	2

COMPONENT LIST – SINGLE CHAIR X 2

Item no.	Reference Image	Description	Qty.
R3		M6 Screw	6
R4		M6X20 Head Cap Screw	12
Z1		M6 Washer	44
Q1		M6 Nut	10
Z2		M8 Plastic Washer	4
T		Metal Stand Base	1
U		M10 Wrench	1
X		Allen Key	1

NOTE:

Do NOT tighten any screws fully first until you have tightened all the screws.

This may cause the frame to warp.

If there is still wobbles or screw holes cannot be aligned, loosen the screws and tighten sequentially.

If the Chair is not stable it could lead to damage to the product.

01

(R1)

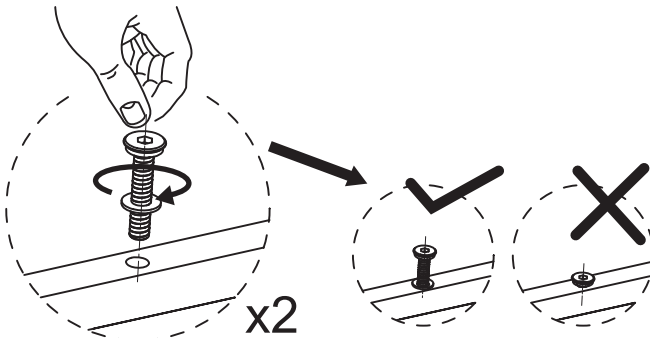
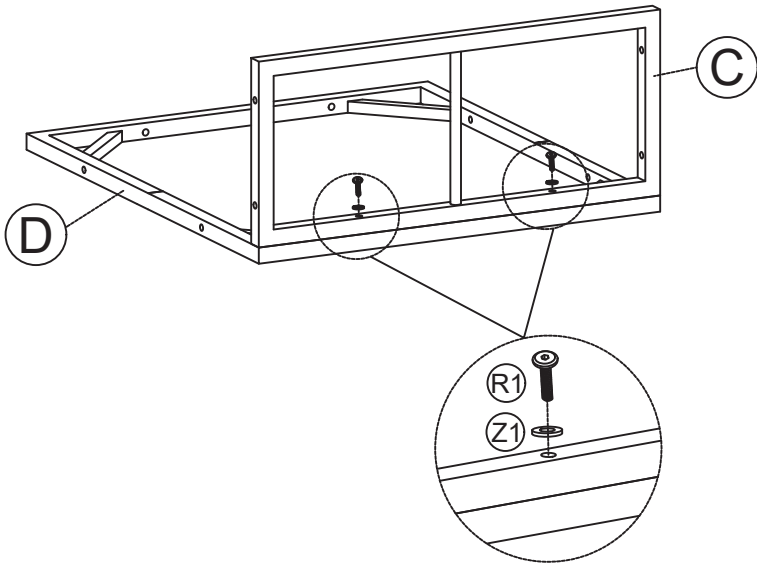


(Z1)



M6*40 Screw x2

M6 Washer x2



NOTE: DO NOT TIGHTEN THE SCREWS COMPLETELY.

02

(R1)

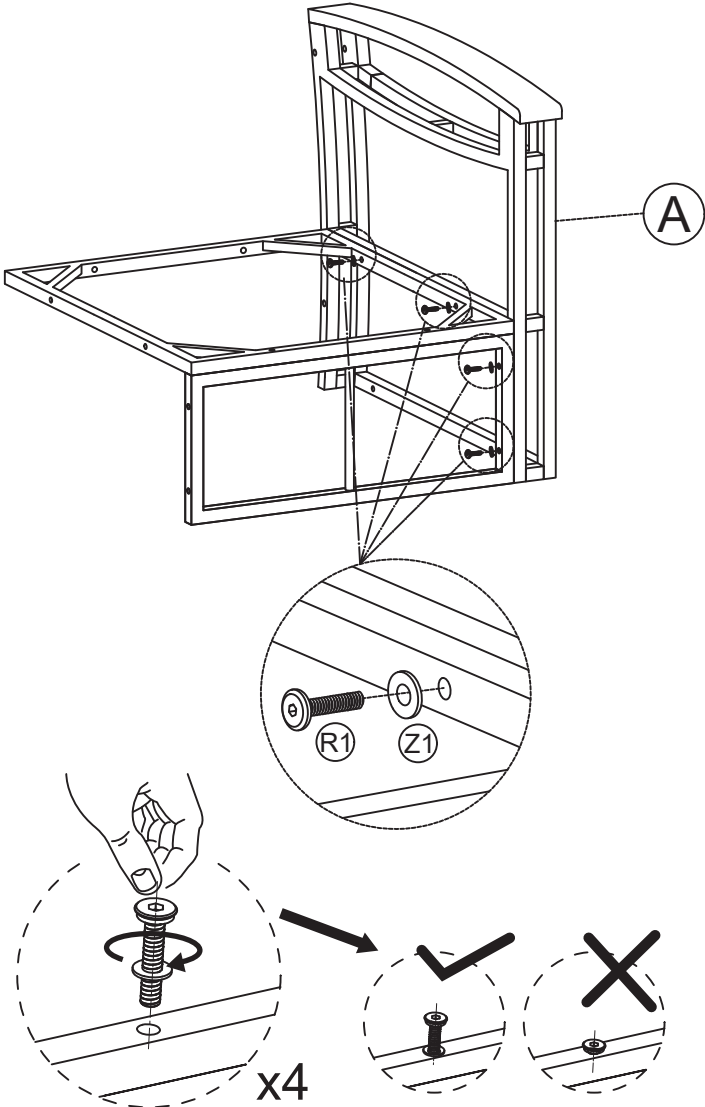


(Z1)



M6*40 Screw x4

M6 Washer x4



NOTE: DO NOT TIGHTEN THE SCREWS COMPLETELY.

03

(R1)

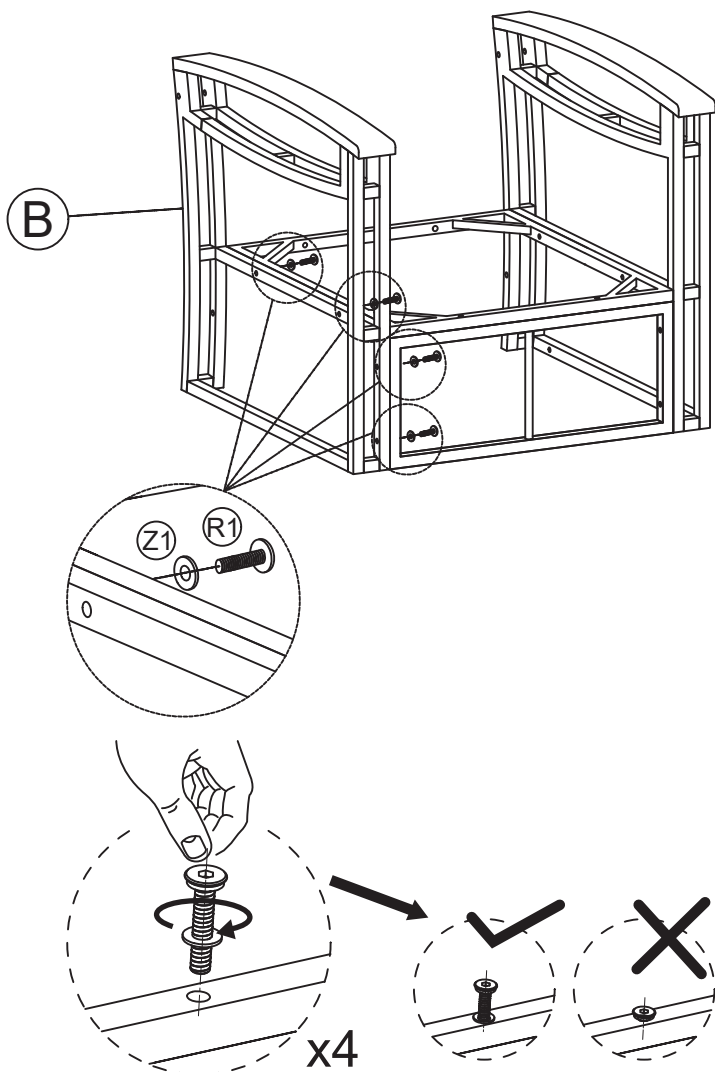


(Z1)



M6*40 Screw x4

M6 Washer x4



NOTE: DO NOT TIGHTEN THE SCREWS COMPLETELY.

04

R1



R2



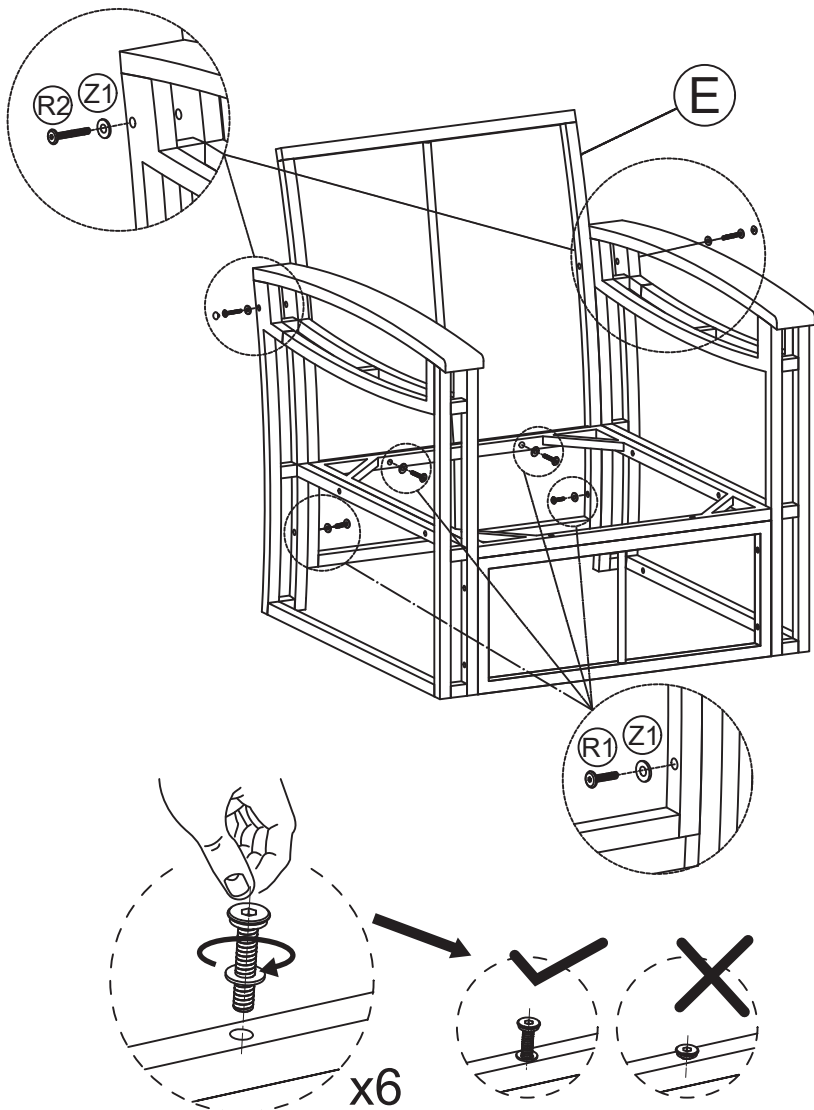
Z1



M6*40 Screw x4

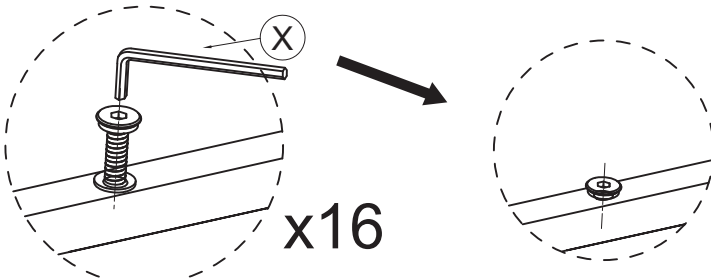
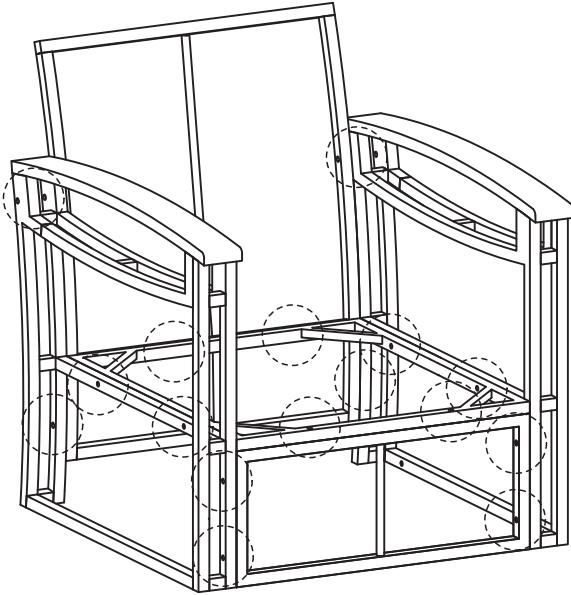
M6*80 Screw x2

M6 Washer x6



NOTE: DO NOT TIGHTEN THE SCREWS COMPLETELY.

05 Tighten all 16 Screws into place with Allen Key.



NOTE:IF ANY SCREW HOLES CANNOT BE ALIGNED, LOOSEN ALL THE SCREWS AND GO BACK STEP 1 AND RESTART ASSEMBLY.

06

R1



M6*40 Screw x2

Z1

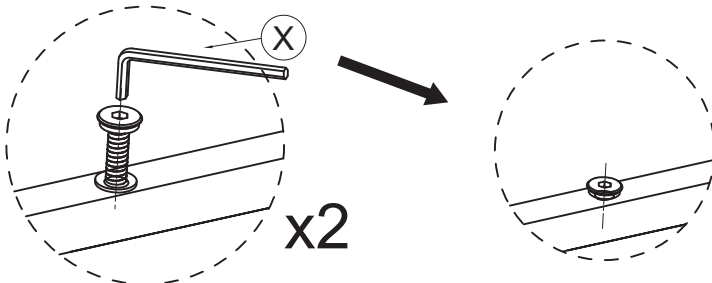
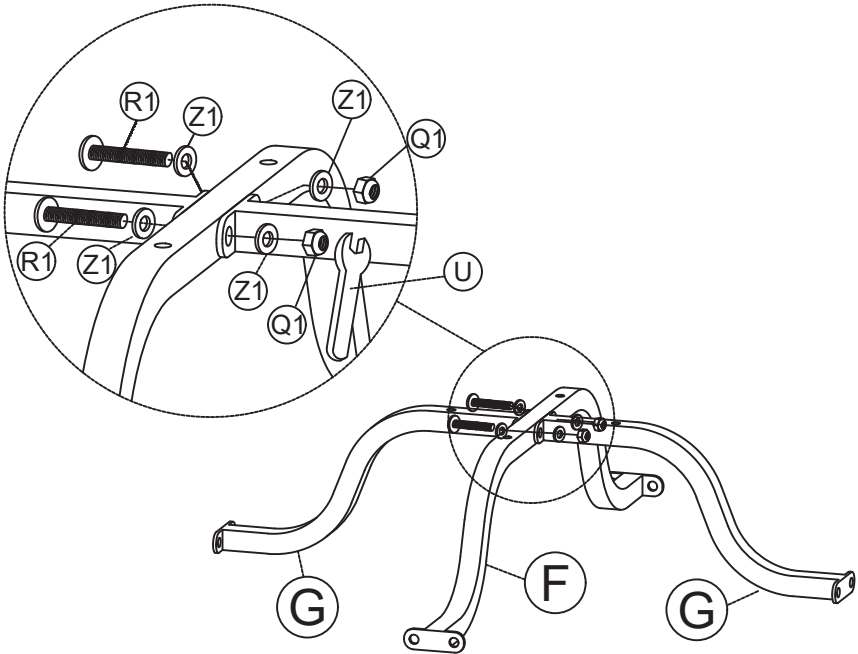


M6 Washer x4

Q1

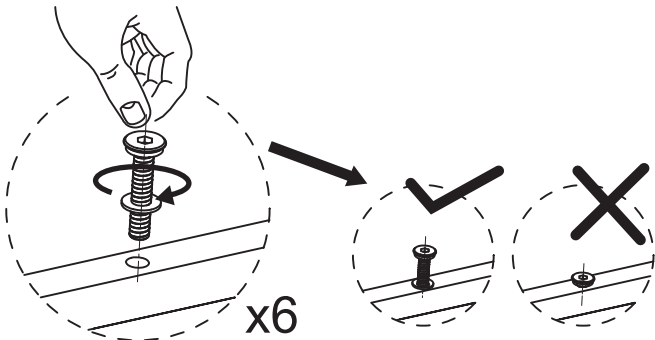
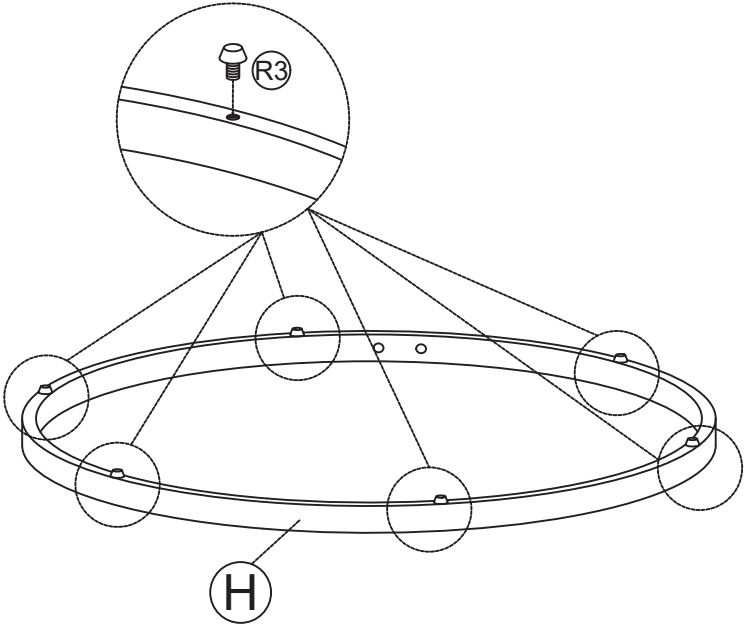


M6 Nut x2



NOTE: TIGHTEN THE SCREWS COMPLETELY.

07



NOTE: DO NOT TIGHTEN THE SCREWS COMPLETELY.

08

R4

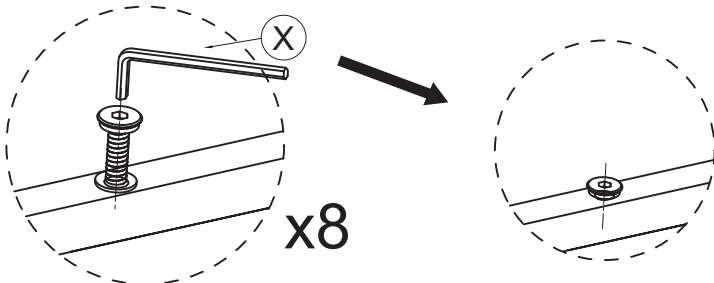
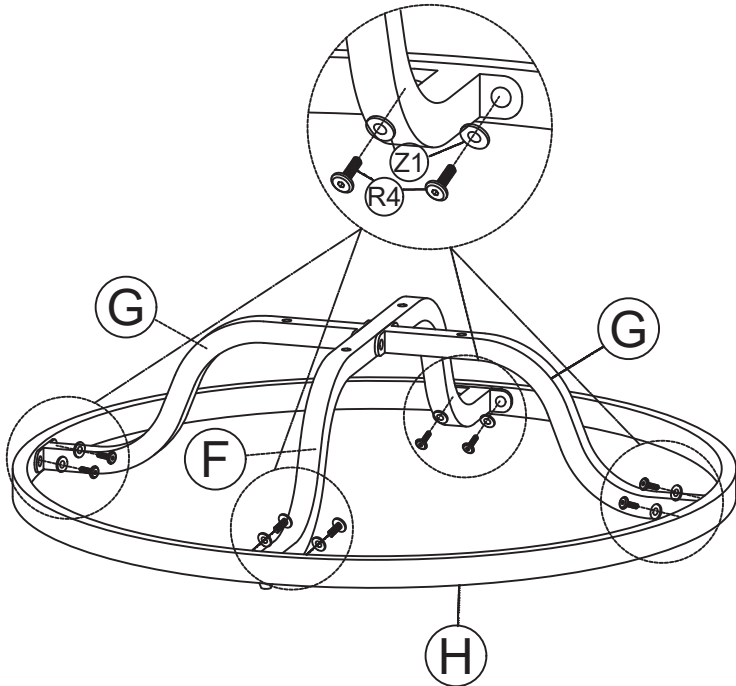


Z1



M6*20 Screw x8

M6 Washer x8



NOTE: TIGHTEN THE SCREWS COMPLETELY.

09

(R4)



(Z1)



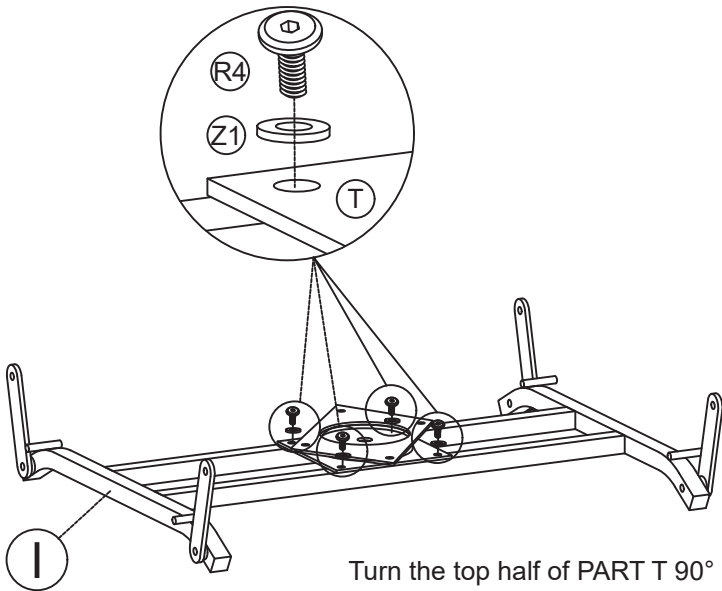
(T)



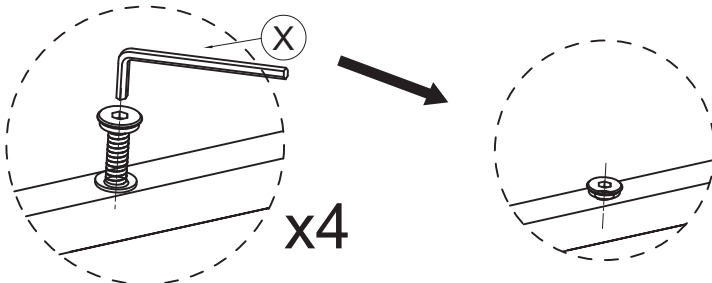
M6*20 Screw x4

M6 Washer x4

Metal Stand Base x1



Turn the top half of PART T 90° around the center, attached lower half of PART T to PART I with R4 screws in 4 holes.



NOTE: TIGHTEN THE SCREWS COMPLETELY.

10

R1



M6*40 Screw x4

Z1

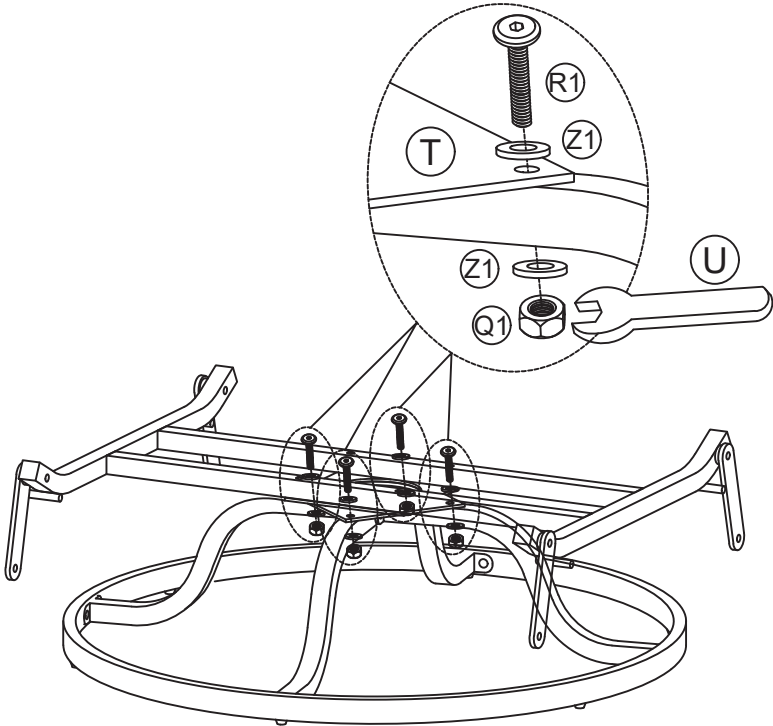


M6 Washer x8

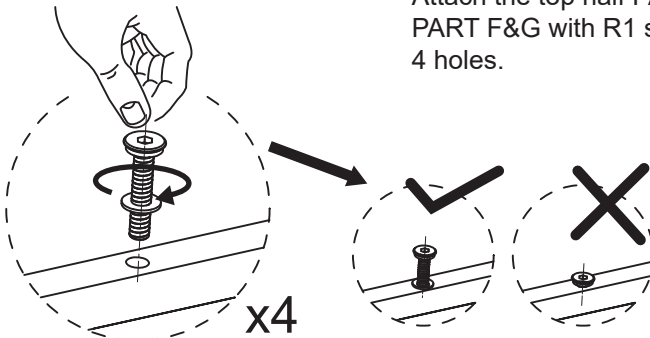
Q1



M6 Nut x4



Attach the top half PART T to PART F&G with R1 screws in 4 holes.



x4

NOTE: DO NOT TIGHTEN THE SCREWS COMPLETELY.

11

Z2



Z1



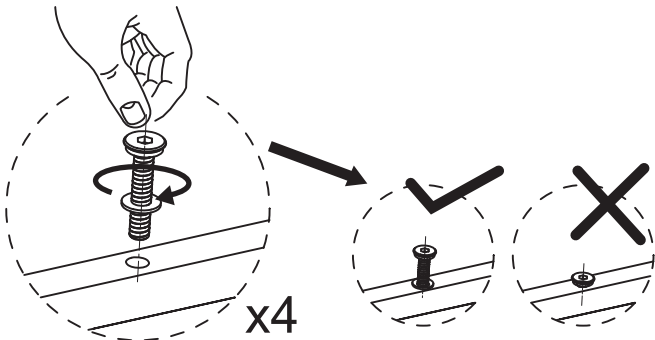
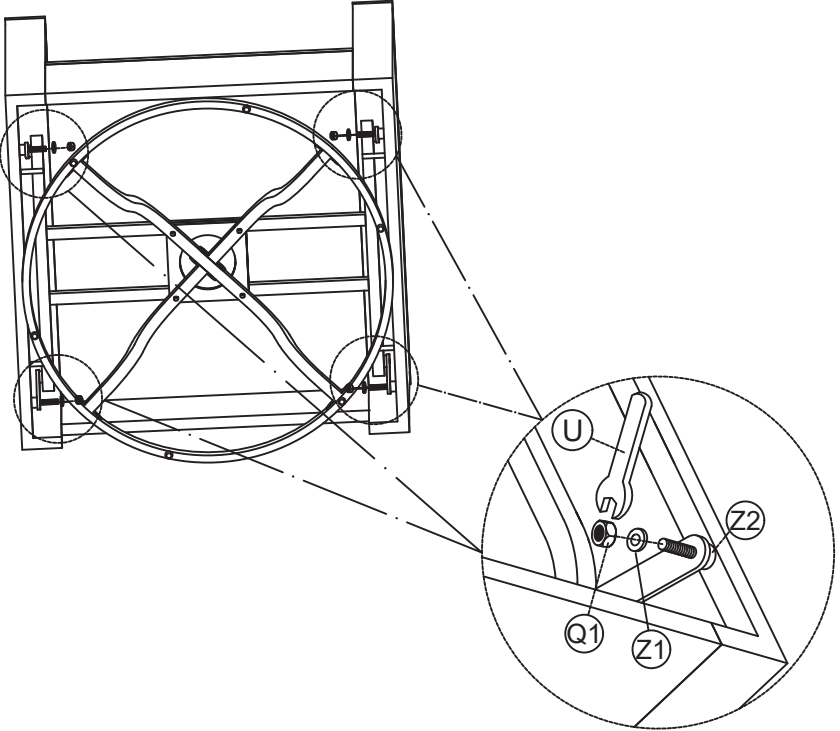
Q1



M8 Plastic Washer x4

M6 Washer x4

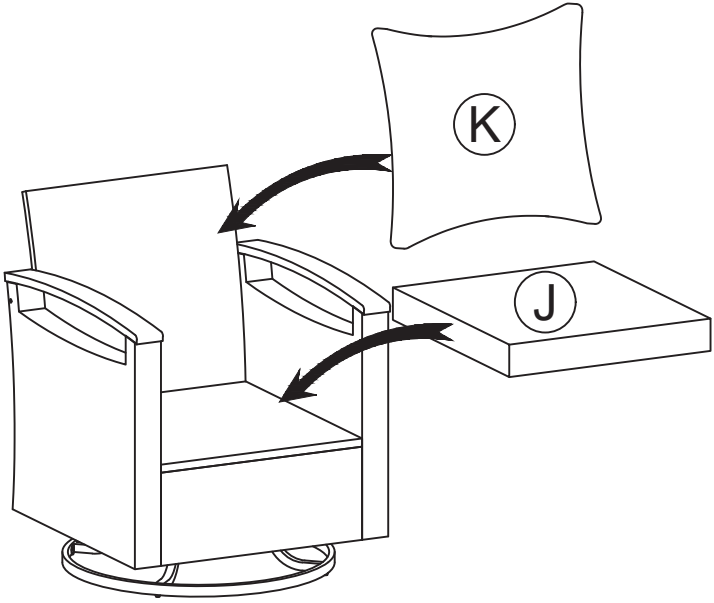
M6 Nut x4



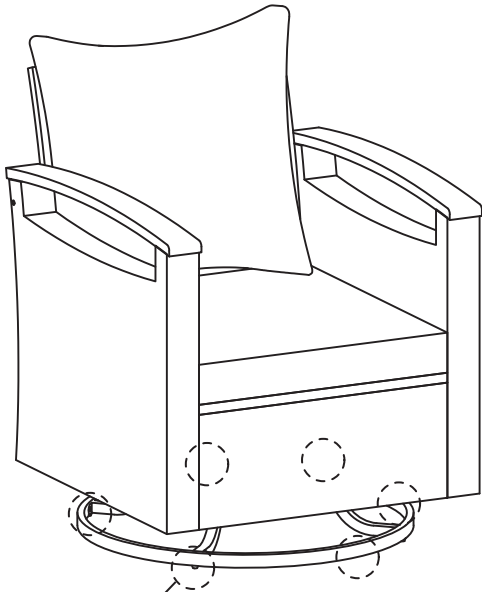
x4

NOTE: DO NOT TIGHTEN THE SCREWS COMPLETELY.

12



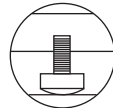
13



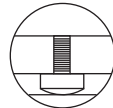
FINISH

x2

Adjust Pre-installed levellers height for balance



Adjust height for balance



Adjust low for balance