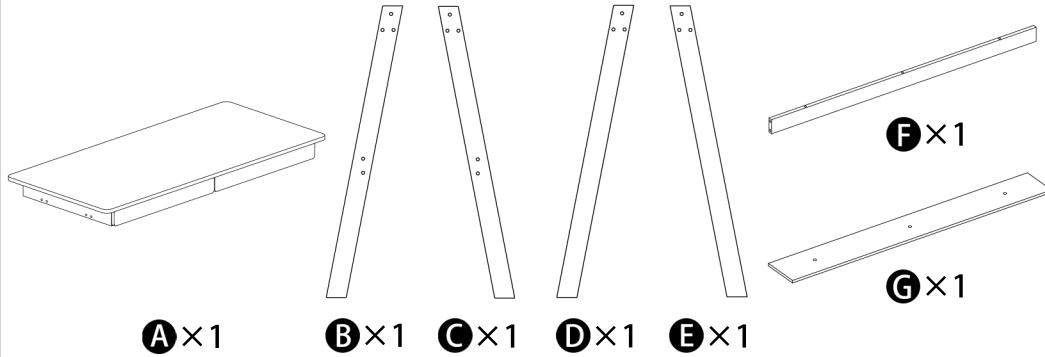


ASSEMBLY INSTRUCTION

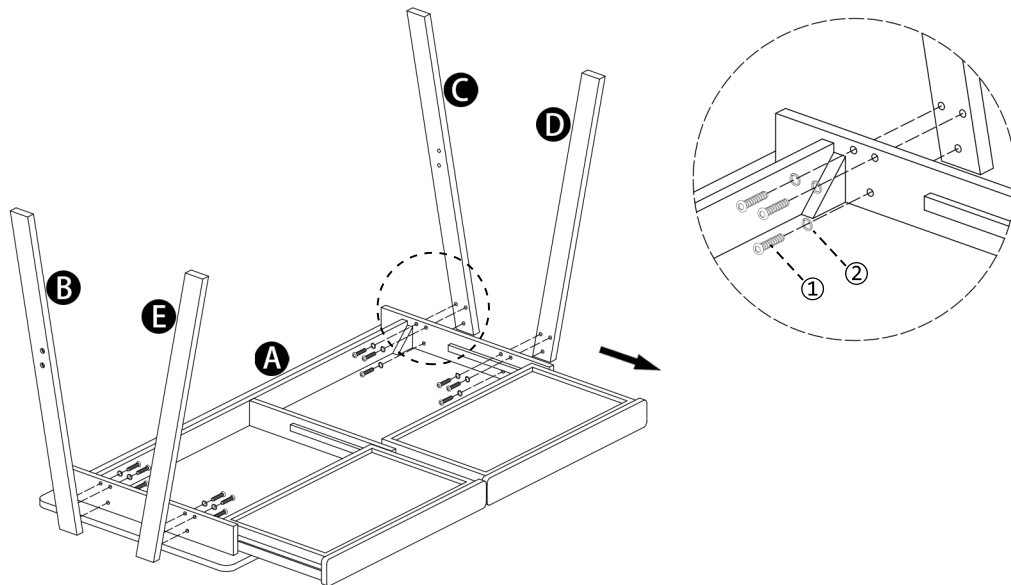
Note the difference between parts B C D E.



| | | | | | | | |
|----------------|--------|--------|-------|-------|-------|-------|-------|
| Hardware Parts | ① × 16 | ② × 12 | ③ × 4 | ④ × 3 | ⑤ × 2 | ⑥ × 1 | ⑦ × 1 |
|----------------|--------|--------|-------|-------|-------|-------|-------|

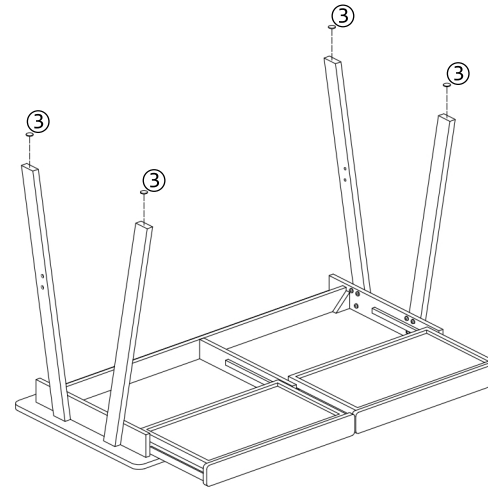
Installation Steps

(Tips: Tighten the screws 70% during installation, and tighten them only after everything is completed!)

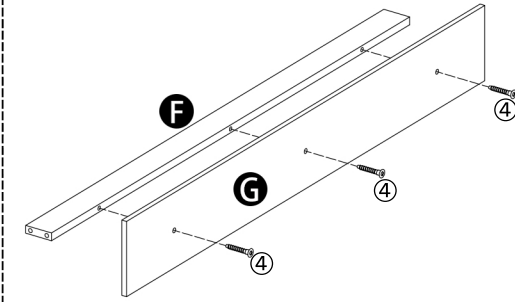


Pull out the drawer and connect the parts A B C D E.

Installation Steps

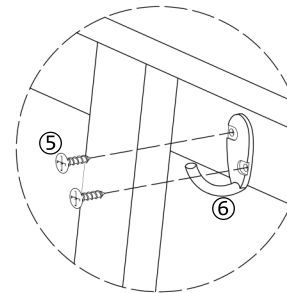


Glue on the foot mats.

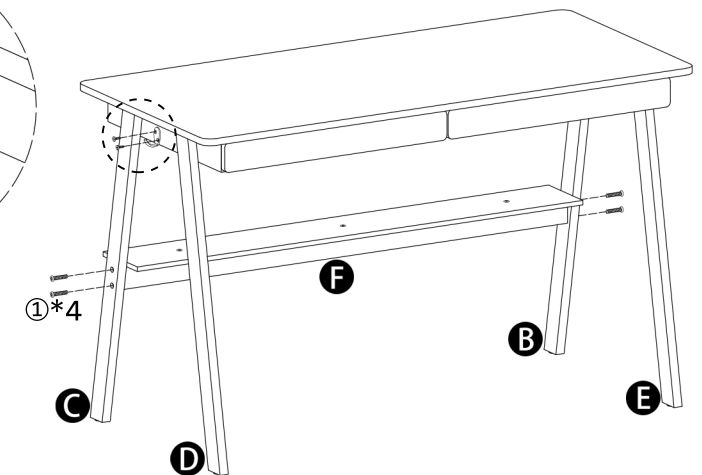


Connect the parts F G.

NOTE: No pre-drilled holes for hooks.
You can choose to install hooks or not as needed.



Install hooks



Connect the parts B C D E F.