
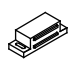










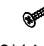






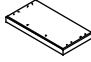








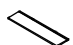
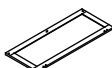

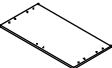
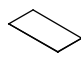
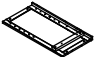

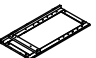
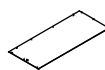









PRODUCT ASSEMBLY

Hardware List

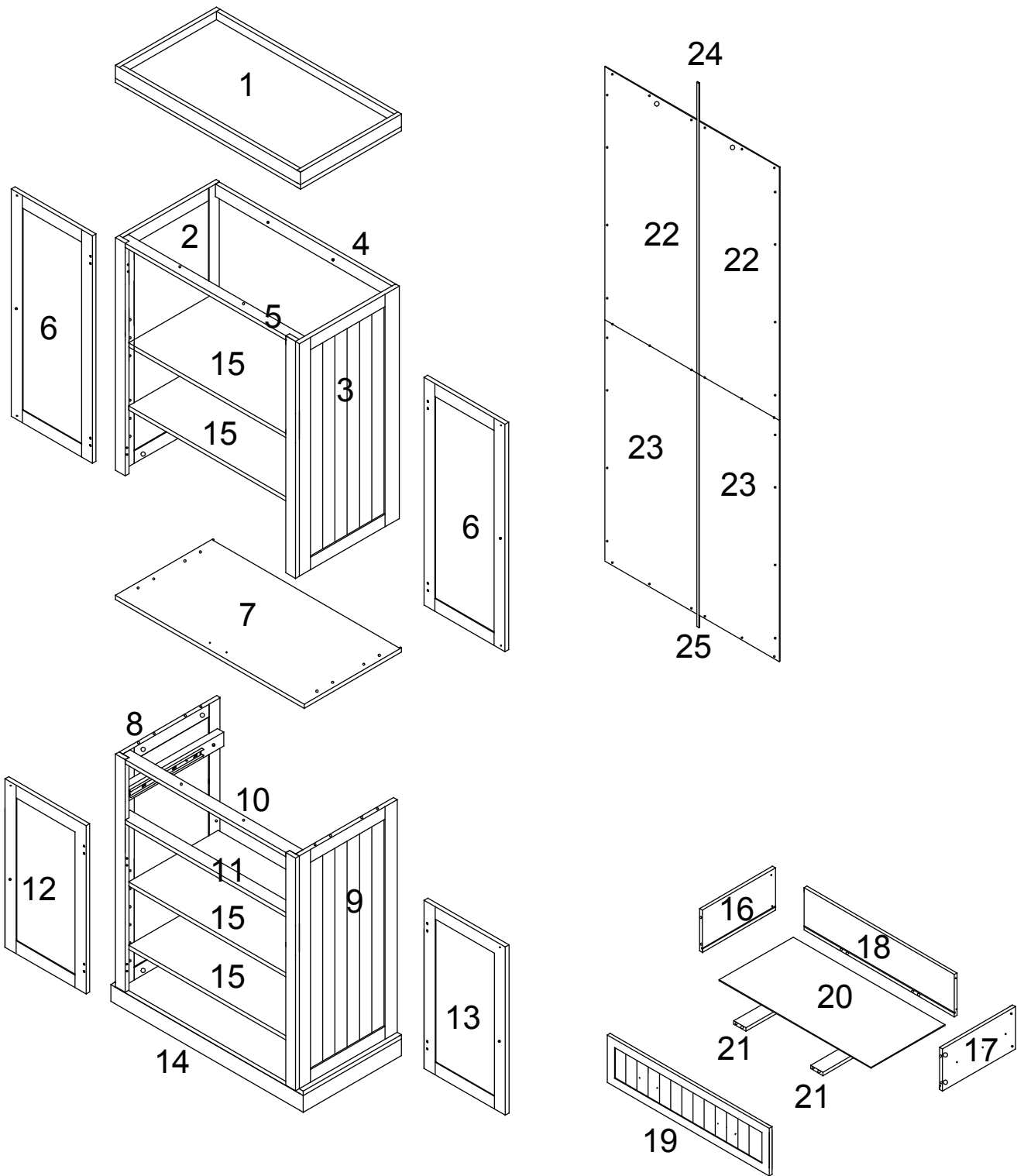
A	 6*35mm	28 pcs	H		3 pcs	O		2 pcs
B	 15*10mm	28 pcs	I		6 pcs	P	 6*50mm	4 pcs
C	 6*30mm	20 pcs	J	 2.5*12mm	34 pcs	Q		16 pcs
D	 3*12mm	52 pcs	K		8 pcs	R	 4*16mm	4 pcs
E	 3*14mm	6 pcs	L		2 pcs	S		4 pcs
F	 4*30mm	4 pcs	M		2 pcs			
G	 4*40mm	6 pcs	N	 4*25mm	4 pcs			

Parts List

1	Top Panel		1 pc	14	Bottom Panel		1 pc
2	Upper Left Panel		1 pc	15	Adjustable Shelf		4 pcs
3	Upper Right Panel		1 pc	16	Drawer Left Panel		1 pc
4	Upper Back Connect Bar		1 pc	17	Drawer Right Panel		1 pc
5	Upper Front Connect Bar		1 pc	18	Drawer Back Panel		1 pc
6	Upper Door		2 pcs	19	Drawer Front Panel		1 pc
7	Divide Panel		1 pc	20	Drawer Bottom Panel		1 pc
8	Lower Left Panel		1 pc	21	Drawer Connect Bar		2 pcs
9	Lower Right Panel		1 pc	22	Upper Back Panel		2 pcs
10	Lower Top Connect Bar		1 pc	23	Lower Back Panel		2 pcs
11	Lower Middle Connect Bar		1 pc	24	Upper Back Connect Bar		1 pc
12	Lower Left Door		1 pc	25	Lower Back Connect Bar		1 pc
13	Lower Right Door		1 pc				

PRODUCT ASSEMBLY

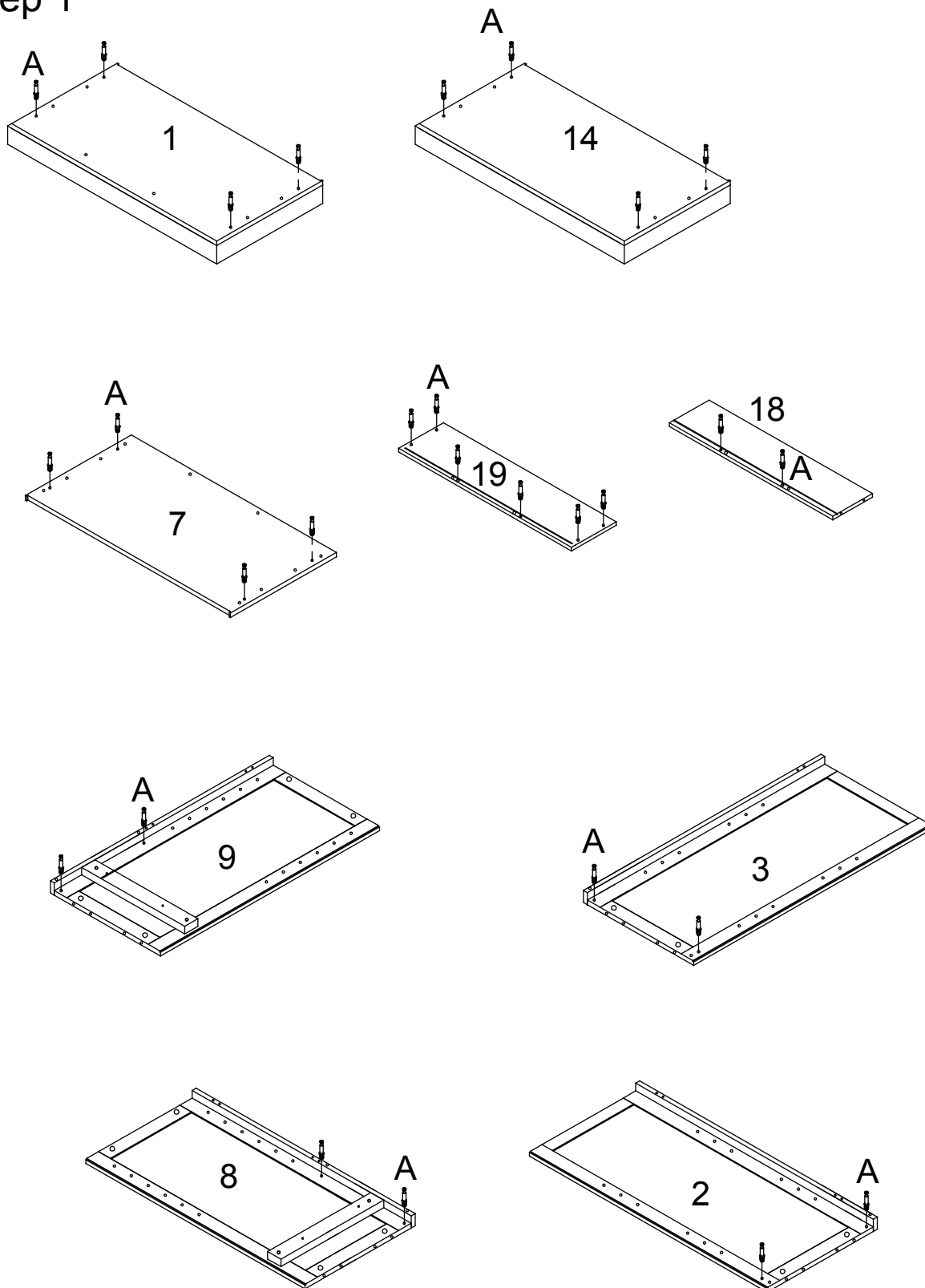
Part List Assembly Overview



PRODUCT ASSEMBLY

A  28 pcs

Step 1

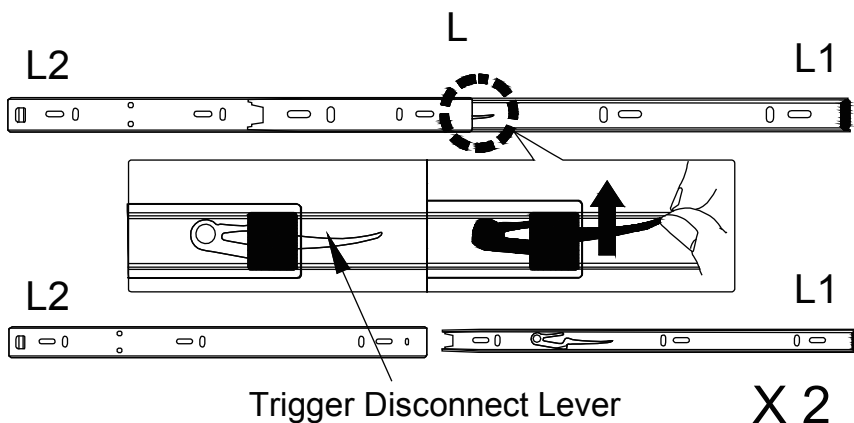


- 1) Lay Top Panel (1), Upper Left Panel (2), Upper Right Panel (3), Divide Panel (7), Lower Left Panel (8), Lower Right Panel (9), Bottom Panel (14), Drawer Back Panel (18) and Drawer Front Panel (19) as shown on a material that does not scratch the surface of each part.
- 2) Screw in Cam-bolt (A) into the designated holes on each in clockwise direction.

PRODUCT ASSEMBLY

Step 2



L		2 pcs
---	---	-------

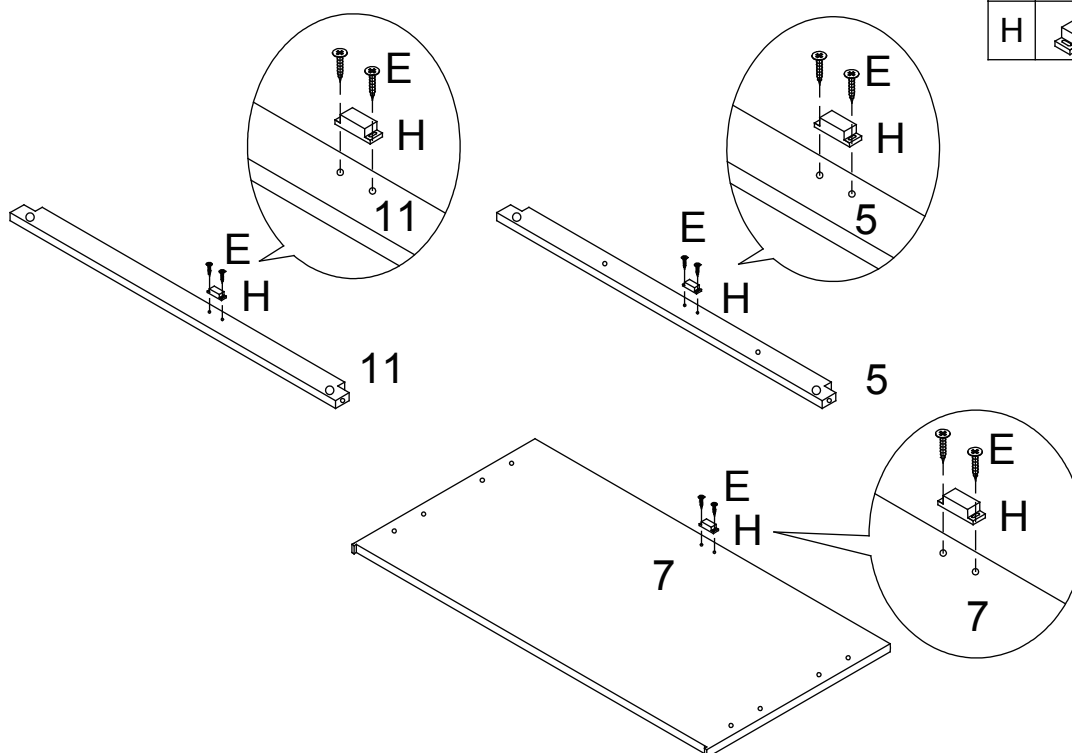


To install Drawer Glide (L), the Glide Runner (L1) needs to be detached or separated from the Glide Track (L2).

Detach Glide Runner (L1) from Glide Track (L2) by sliding out (L1) from (L2) until the Trigger Disconnect Lever is visible on (L1) as shown above. Next, depress the Trigger Disconnect Lever and at the same time slide out (L1) from (L2).

Step 3

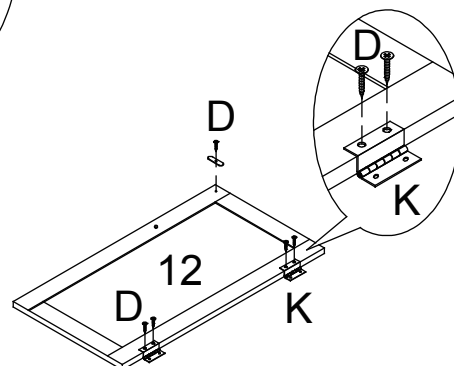
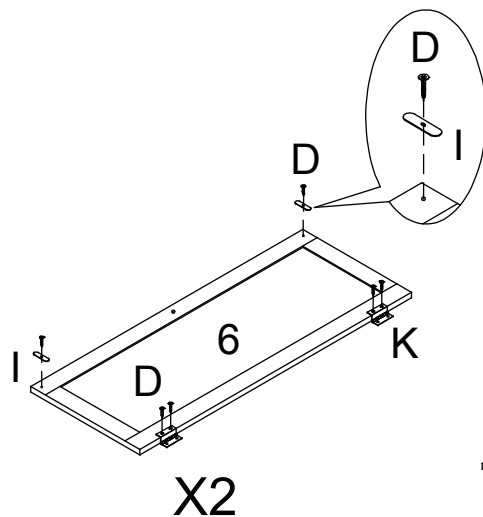
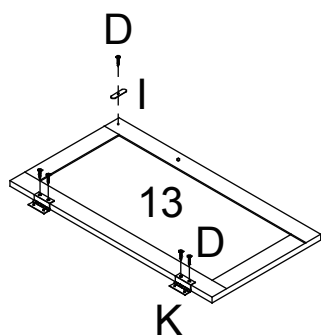
E		6 pcs
H		3 pcs






Attach Magnetic Catch (H) to the designated hole on Upper Front Connect Bar (5), Divide Panel (7) and Lower Middle Connect Bar (11) with Screw (E) as shown.

PRODUCT ASSEMBLY

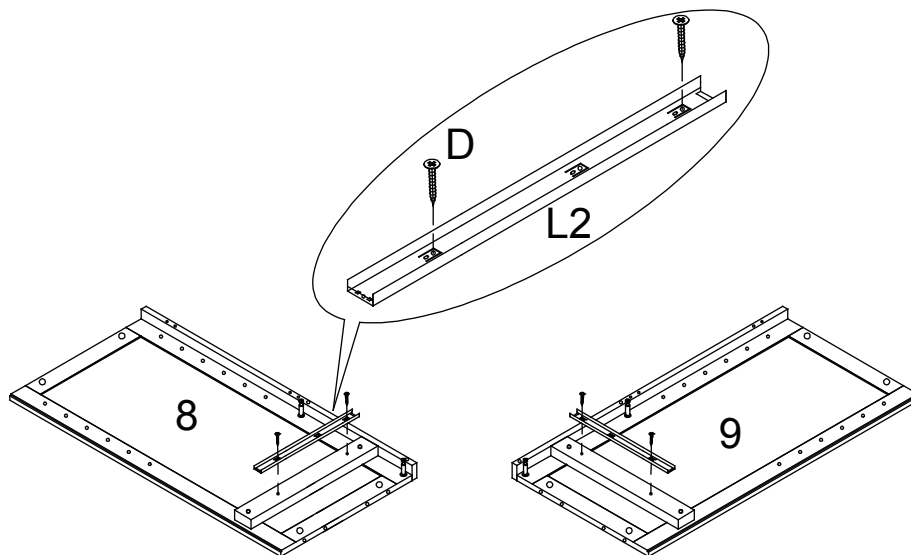
Step 4





D		22 pcs
I		6 pcs
K		8 pcs

Attach Hinge (K) and Magnetic Bar (I) to Upper Door (6), Lower Left Door (12) and Lower Right Door (13) with Screw (D) as shown.

Step 5

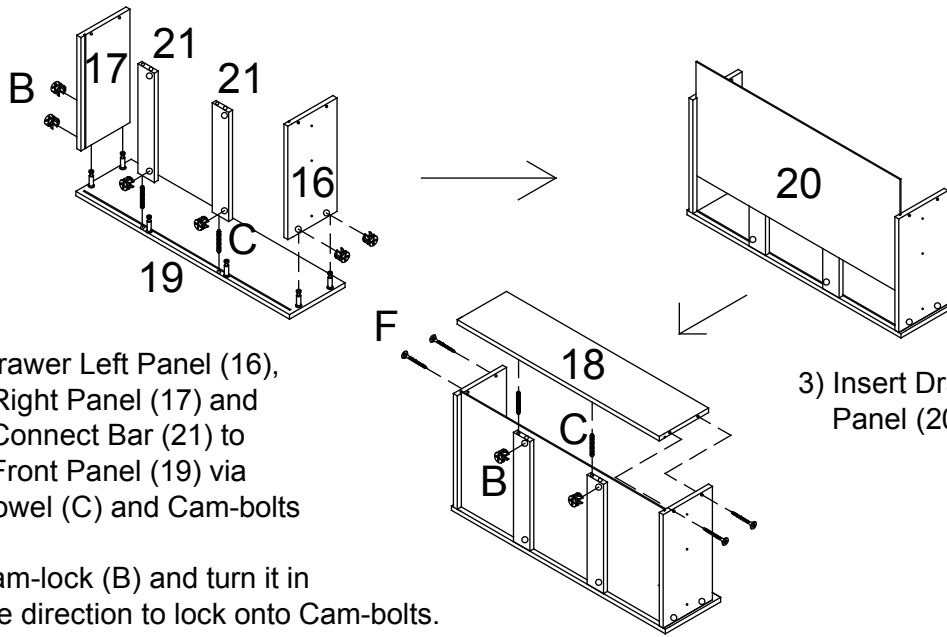


D		4 pcs
L2		2 pcs

Attach Drawer Glide (L2) to Lower Left Panel (8) and Lower Right Panel (9) with Screw (D) as shown.

PRODUCT ASSEMBLY

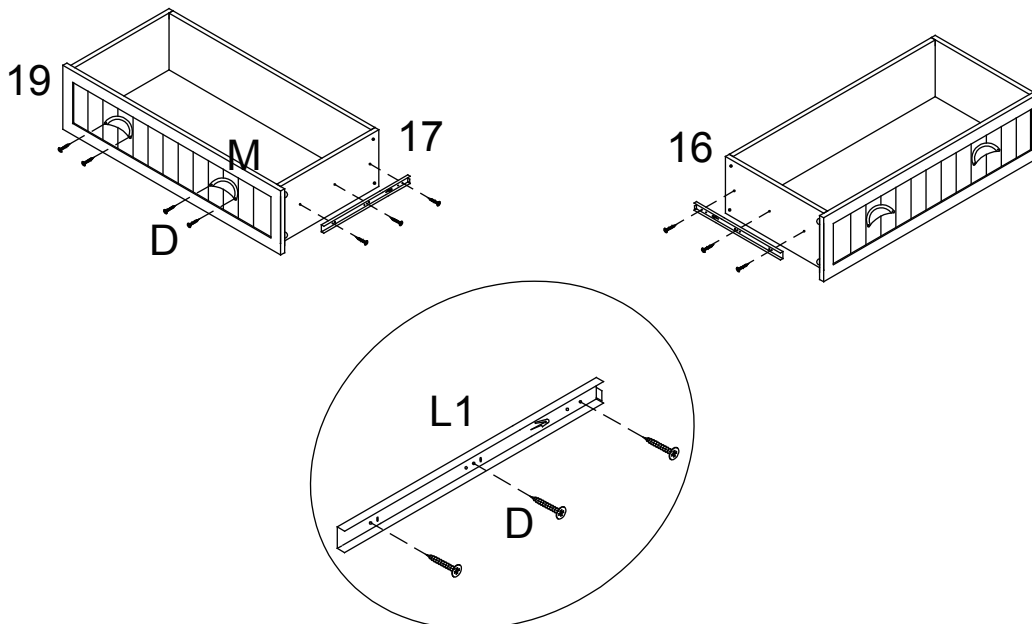
Step 6



B		8 pcs
C		4 pcs
F		4 pcs

- 1) Attach Drawer Left Panel (16), Drawer Right Panel (17) and Drawer Connect Bar (21) to Drawer Front Panel (19) via Wood Dowel (C) and Cam-bolts on (19).
- 2) Insert Cam-lock (B) and turn it in clockwise direction to lock onto Cam-bolts.
- 3) Insert Drawer Bottom Panel (20).
- 4) Attach Drawer Back Panel (18) via Wood Dowel (C) and Cam-bolts on (18).
- 5) Insert Screw (F) and tighten it.
- 6) Insert Cam-lock (B) and turn it in clockwise direction to lock onto Cam-bolts.

Step 7





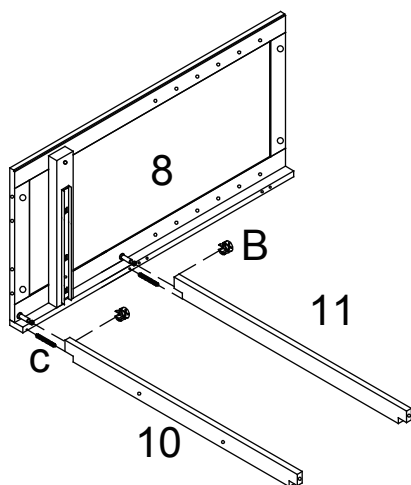
D		10 pcs
L1		2 pcs
M		2 pcs

- 1) Attach Drawer Glide (L1) to Drawer Left and Right Panel (16 & 17) with Screw (D) as shown.
- 2) Attach Handle (M) to Drawer Front Panel (19) with Screw (D).

PRODUCT ASSEMBLY



Step 8

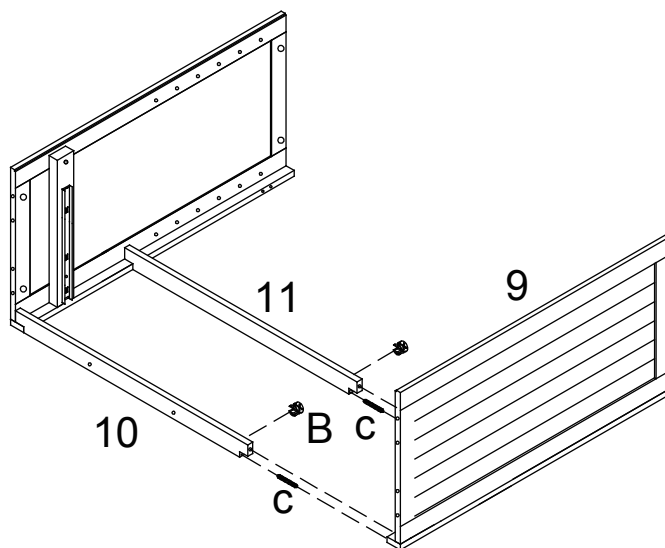
B		2 pcs
C		2 pcs



- 1) Attach Lower Top Connect Bar (10) and Lower Middle Connect Bar (11) to Lower Left Panel (8) via Wood Dowel (C) and Cam-bolts on (8).
- 2) Insert Cam-lock (B) and turn it in clockwise direction to lock onto Cam-bolts.



Step 9

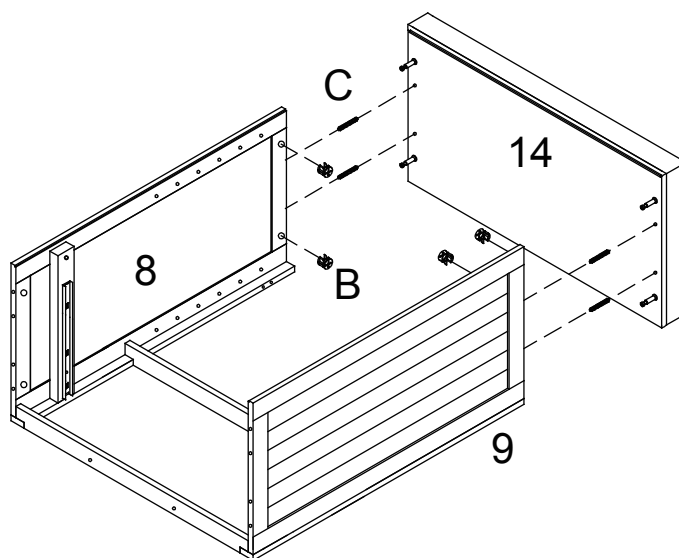
B		2 pcs
C		2 pcs



- 1) Attach Lower Right Panel (9) to Connect Bar (10 & 11) via Wood Dowel (C) and Cam-bolts on (9).
- 2) Insert Cam-lock (B) and turn it in clockwise direction to lock onto Cam-bolts.

Step 10



B		4 pcs
C		4 pcs

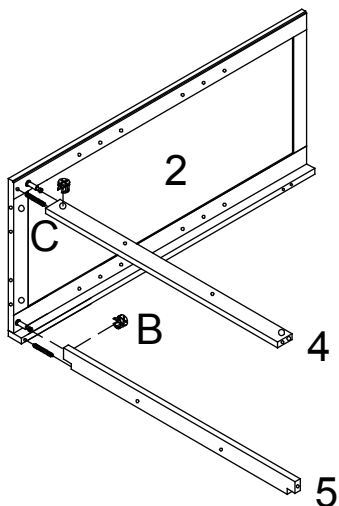


- 1) Attach Bottom Panel (14) to Lower Left Panel (8) and Right Panel (9) via Wood Dowel (C) and Cam-bolts on (14).
- 2) Insert Cam-lock (B) and turn it in clockwise direction to lock onto Cam-bolts.

PRODUCT ASSEMBLY

Step 11

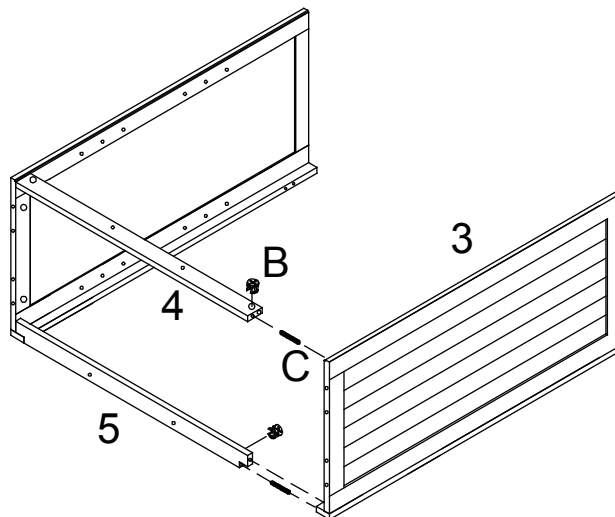
B		2 pcs
C		2 pcs



- 1) Attach Upper Back Connect Bar (4) and Upper Front Connect Bar (5) to Upper Left Panel (2) via Wood Dowel (C) and Cam-bolts on (2).
- 2) Insert Cam-lock (B) and turn it in clockwise direction to lock onto Cam-bolts.





Step 12

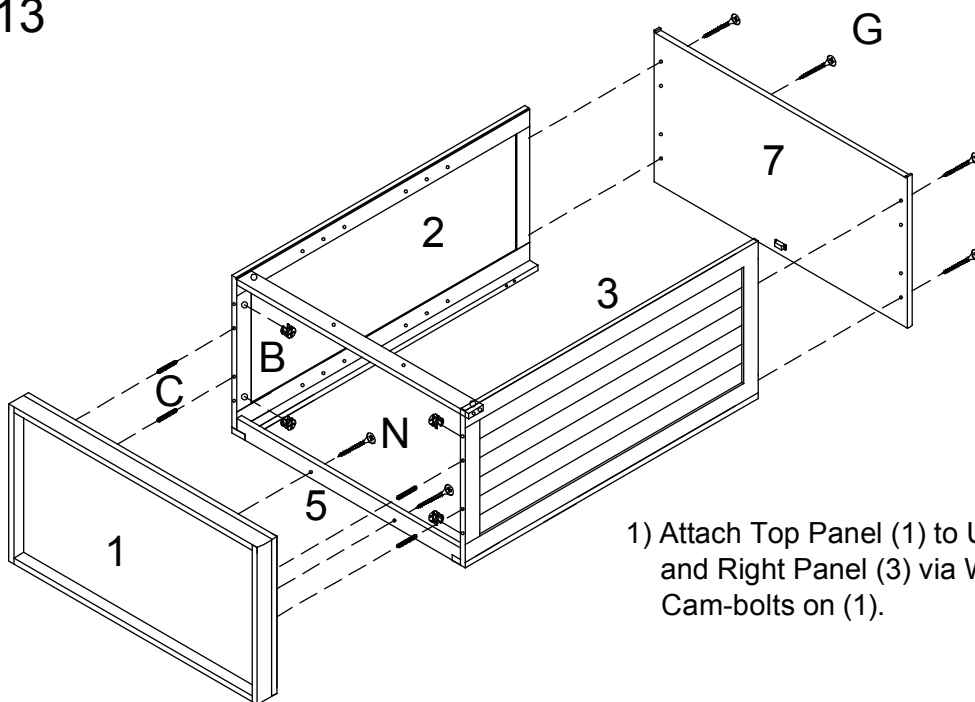
B		2 pcs
C		2 pcs



- 1) Attach Upper Right Panel (3) to Connect Bar (4 & 5) via Wood Dowel (C) and Cam-bolts on (3).
- 2) Insert Cam-lock (B) and turn it in clockwise direction to lock onto Cam-bolts.

Step 13

B		4 pcs
C		4 pcs
G		4 pcs
N		2 pcs






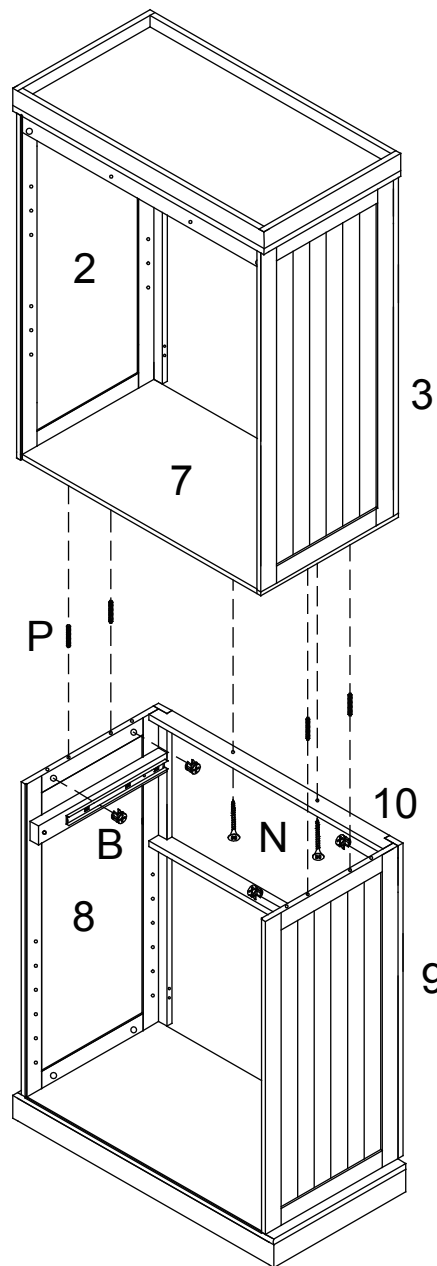
- 1) Attach Top Panel (1) to Upper Left Panel (2) and Right Panel (3) via Wood Dowel (C) and Cam-bolts on (1).

- 2) Insert Cam-lock (B) and turn it in clockwise direction to lock onto Cam-bolts.
- 3) Fix Connect Bar (5) to (1) with Screw (N).
- 4) Attach Divide Panel (7) to (2 & 3) with Screw (G).

PRODUCT ASSEMBLY

Step 14

B		4 pcs
N		2 pcs
P		4 pcs

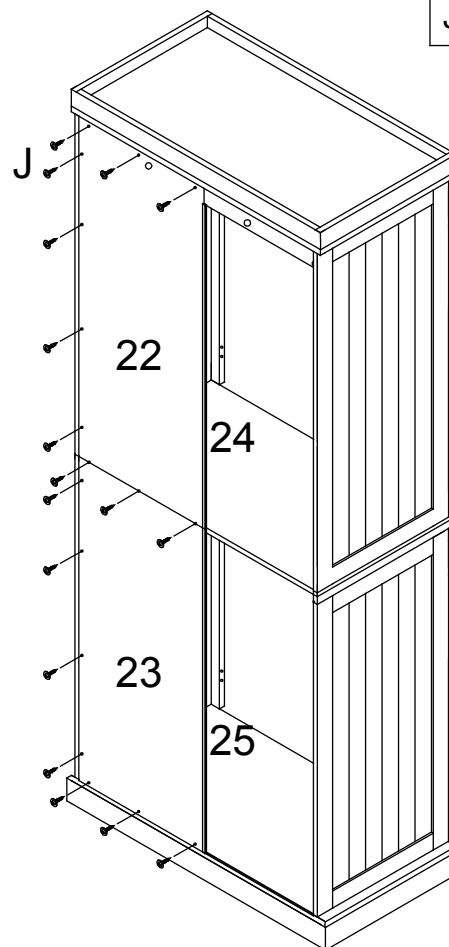


- 1) Attach the unit from STEP 13 to the unit From STEP 10 via Wood Dowel (P) and Cam-bolts on (7).
- 2) Insert Cam-lock (B) to (8 & 9) and turn it in clockwise direction to lock onto Cam-bolts.
- 3) Fix Connect Bar (10) to (7) with Screw (N).

PRODUCT ASSEMBLY

Step 15

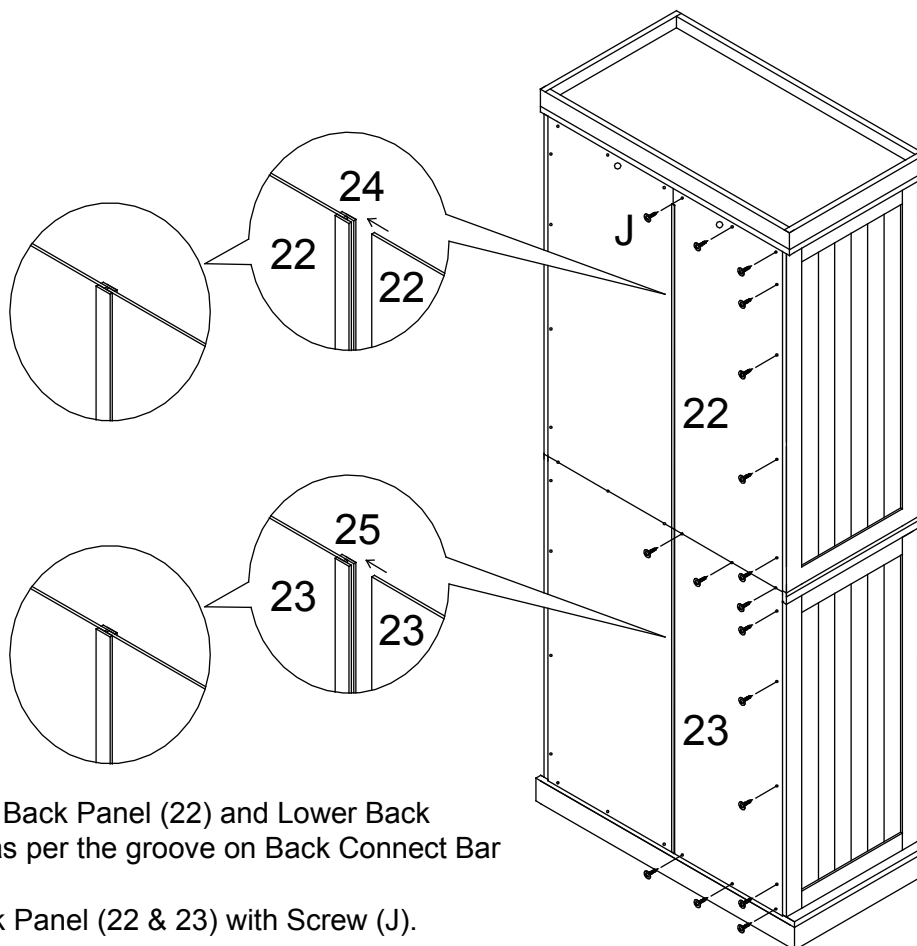
J  17 pcs



- 1) Attach Upper Back Panel (22) and Lower Back Panel (23) with Screw (J).
- 2) Insert Upper Back Connect Bar (24) to (22).
- 3) Insert Lower Back Connect Bar (25) to (23).

Step 16

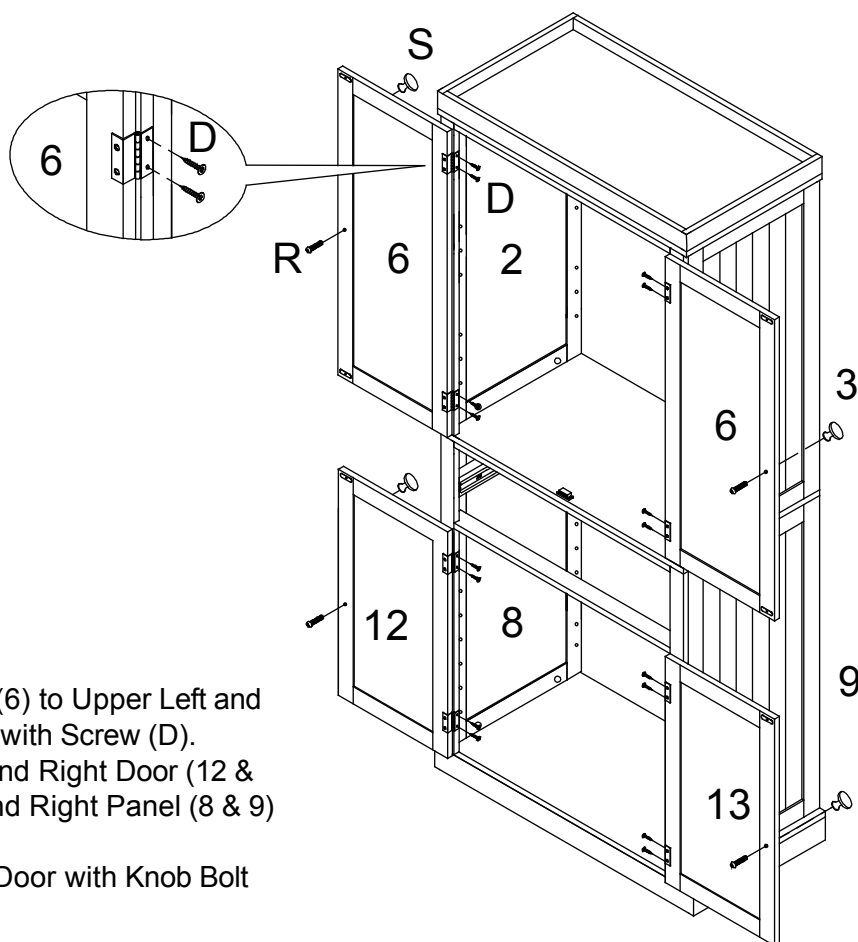
J  17 pcs



- 1) Slide Upper Back Panel (22) and Lower Back Panel (23) as per the groove on Back Connect Bar (24 & 25).
- 2) Fix the Back Panel (22 & 23) with Screw (J).

PRODUCT ASSEMBLY

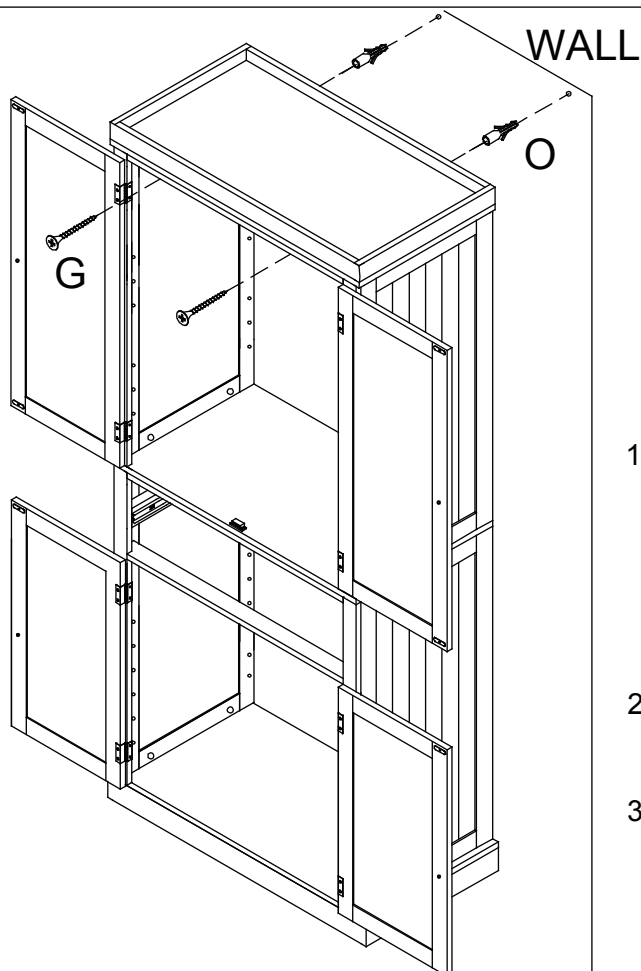
Step 17



D		16 pcs
R		4 pcs
S		4 pcs

- 1) Attach Upper Door (6) to Upper Left and Right Panel (2 & 3) with Screw (D).
- 2) Attach Lower Left and Right Door (12 & 13) to Lower Left and Right Panel (8 & 9) with Screw (D).
- 3) Attach Knob (S) to Door with Knob Bolt (R).

Step 18



G		2 pcs
O		2 pcs

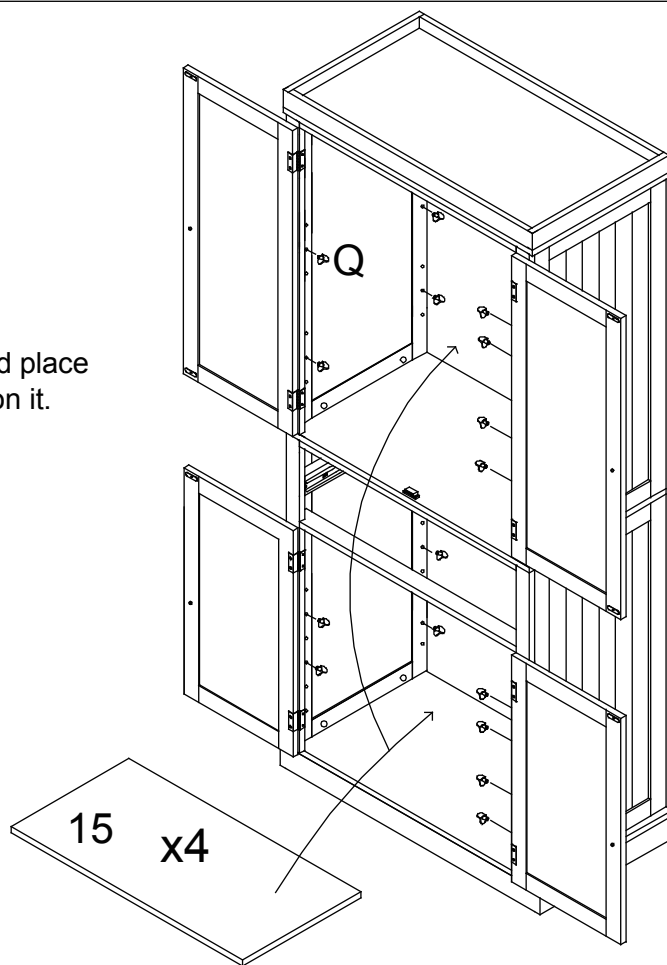
- 1) Drill two holes in the dry wall per the length and diameter of Plastic Anchor (O).
Noted: The distance between the 2 holes should be the same as the distance between the 2 holes on Upper Back Connect Bar (4).
- 2) Press Plastic Wall Anchor (O) into drilled hole. Ensure that the anchor fits securely in the wall.
- 3) Fix the Cabinet to the wall with Screw (G).

PRODUCT ASSEMBLY

Step 19

Q		16 pcs
---	---	--------

Insert Shelf Pin (Q) and place Adjustable Shelf (15) on it.



Step 20

Insert Drawer.

