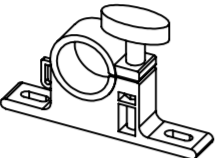
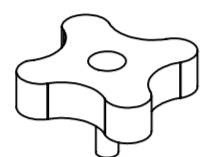
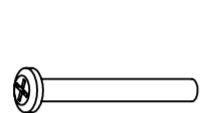

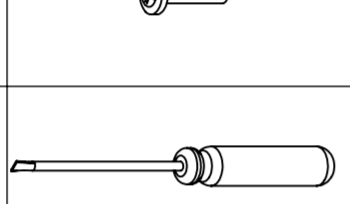
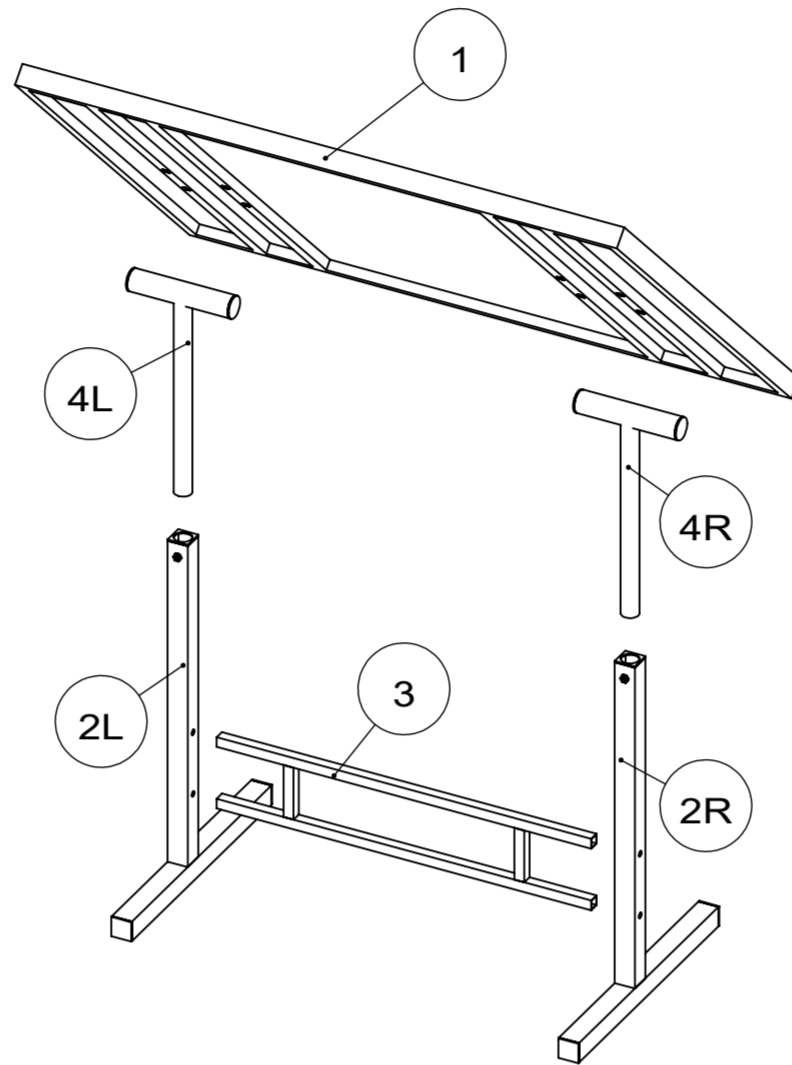


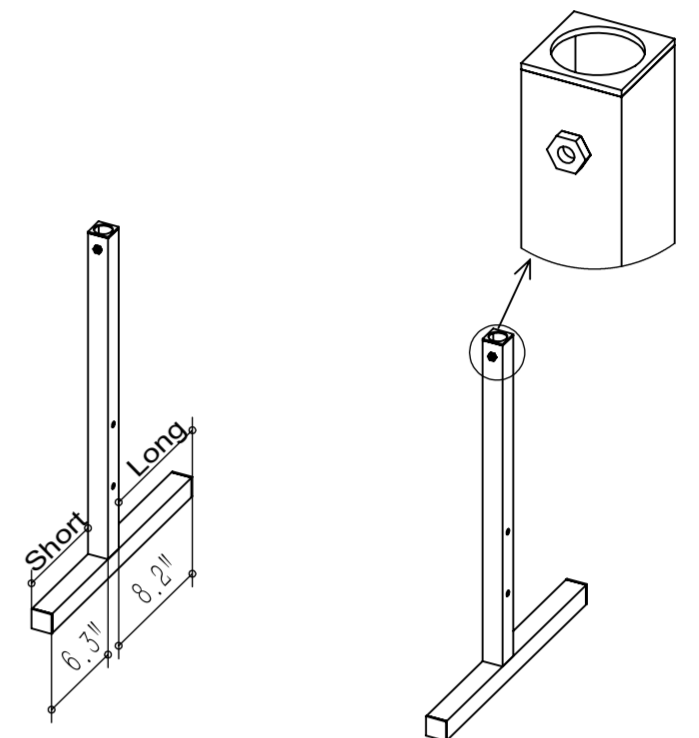
# Instructions for Adjustable Puzzle Table

Your satisfaction is our service tenet, If you have any questions during installation, please feel free to get in touch with us. Contact E-mail: fanwermanger@163.com

Parts No.	Parts List	PCS
A		4
B		2
C		4
D		8
E		1

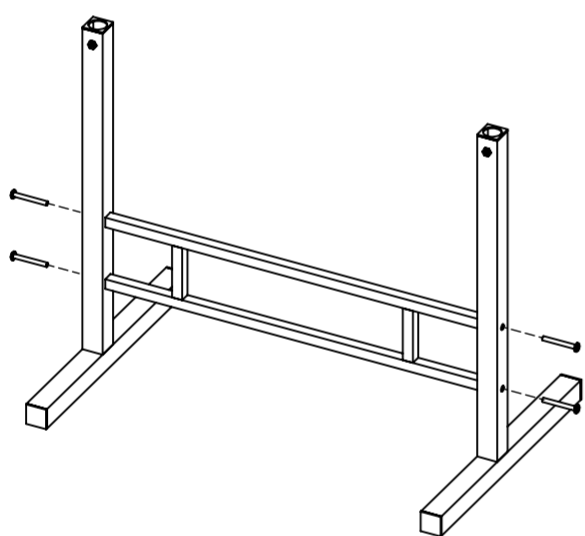


## Step 1



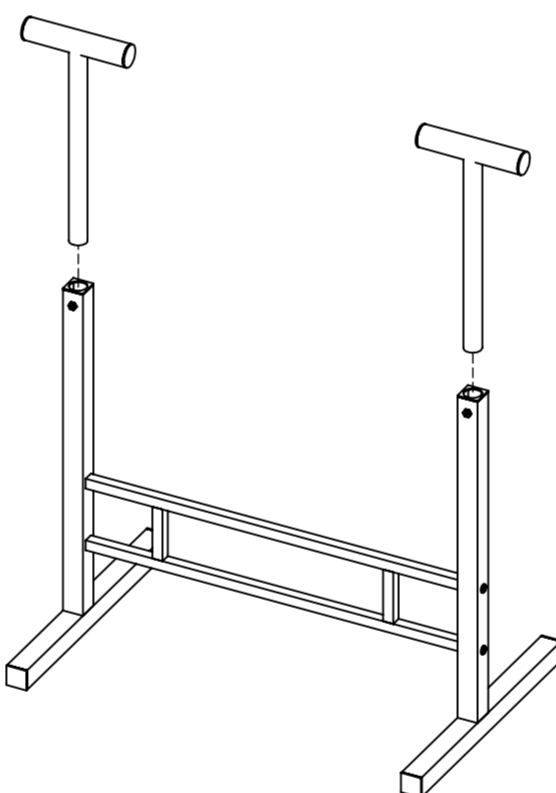
Arrange 2L and 2R in the same direction, taking the nuts on the legs as a reference.

## Step 2



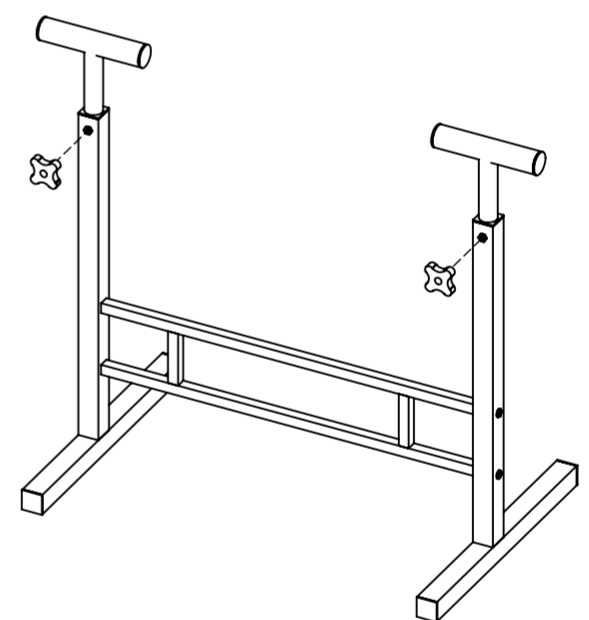
Use Part C to connect 3 to 2L and 2R, and then fix it with a screwdriver.

## Step 3



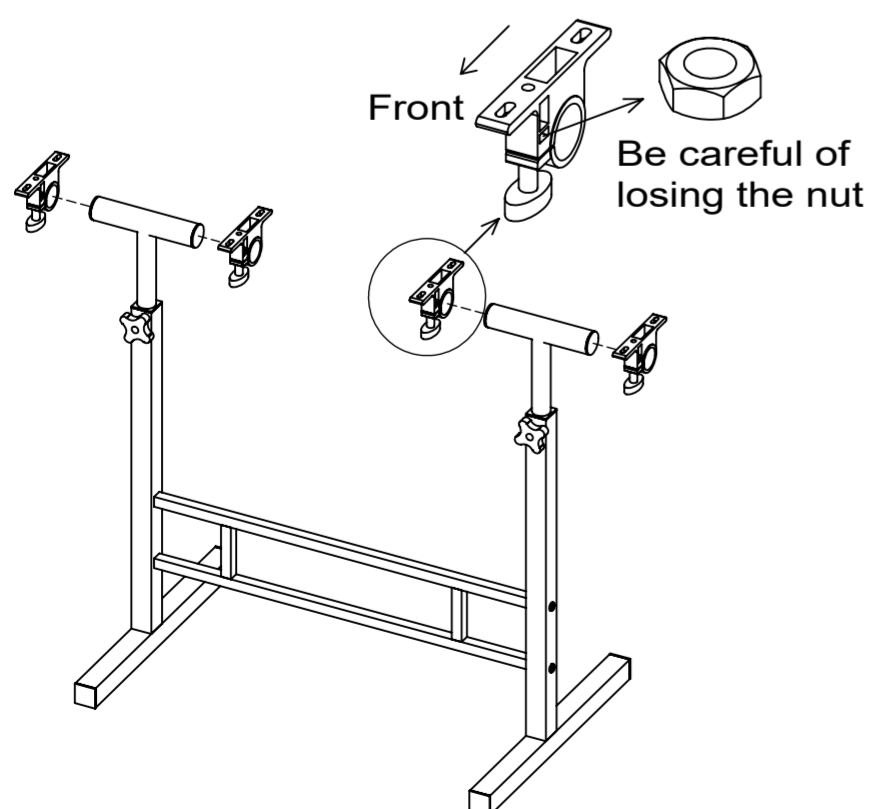
Insert 4L and 4R round brackets into the square legs.

## Step 4



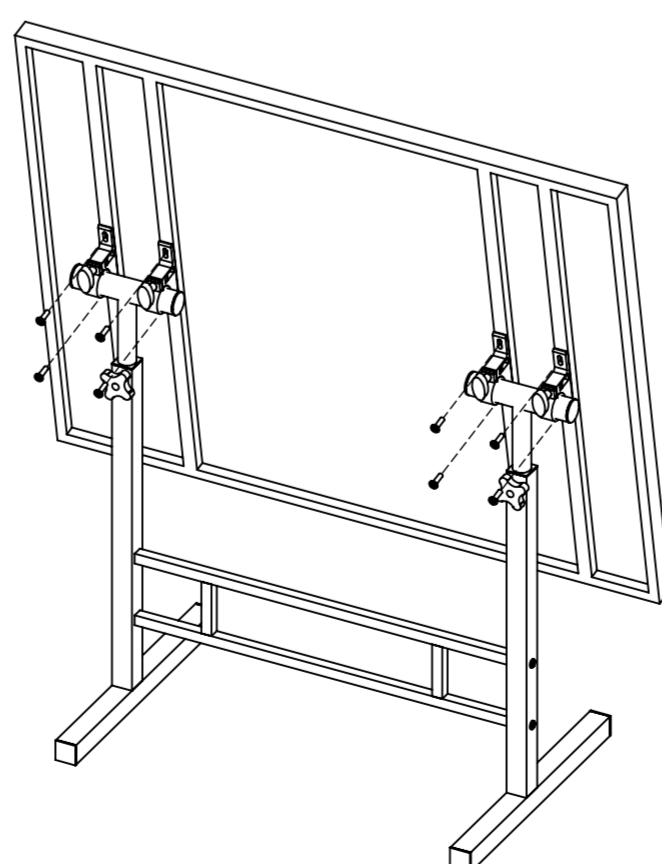
Tighten and fix the iron legs with Part B.

## Step 5



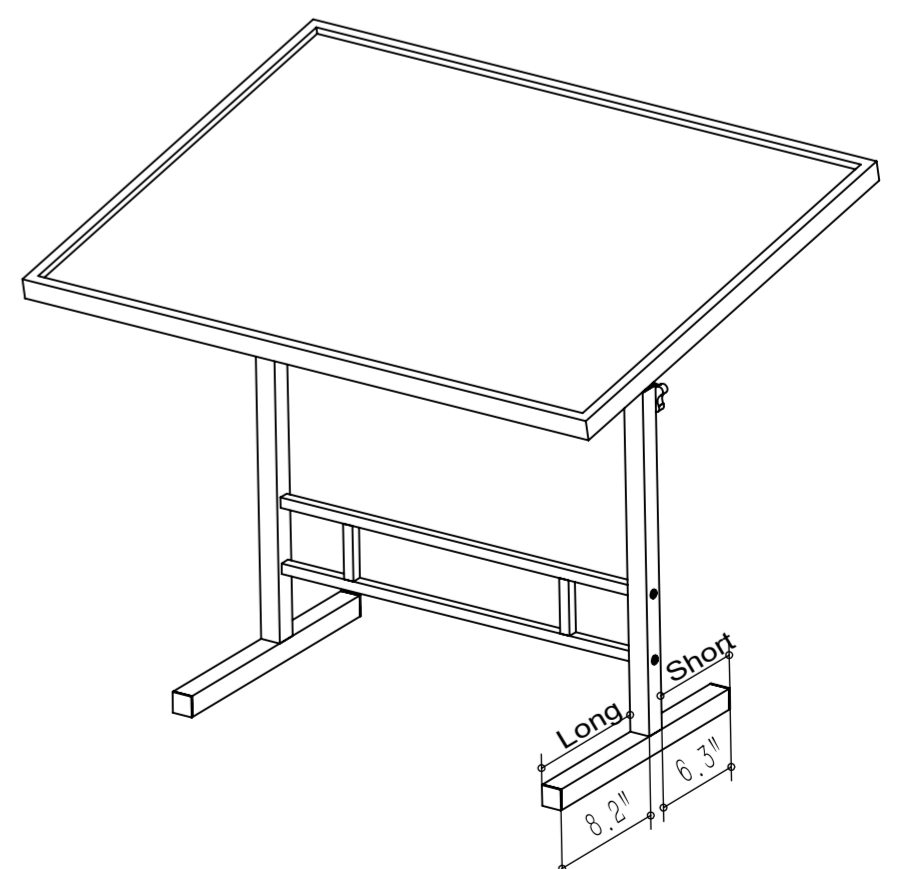
Install Part A on 4L and 4R, and pay attention to the nut inside the Part A to avoid losing it.

## Step 6



Place 1 on a soft and flat surface. Link the assembled table legs to 1 and tighten with Part D.

## Step 7



Congratulations ! Installation is completed. Sit on the 8.2" side. Enjoy your fun!