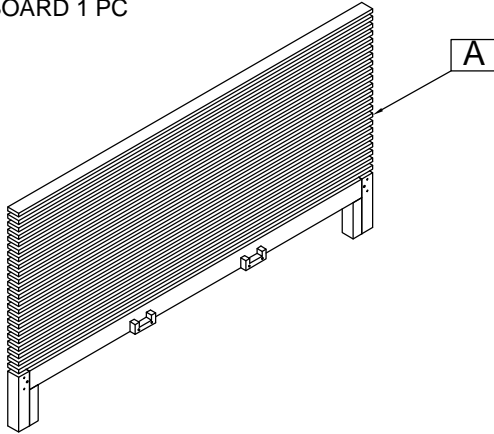


# TANNER KING BED ASSEMBLY INSTRUCTIONS



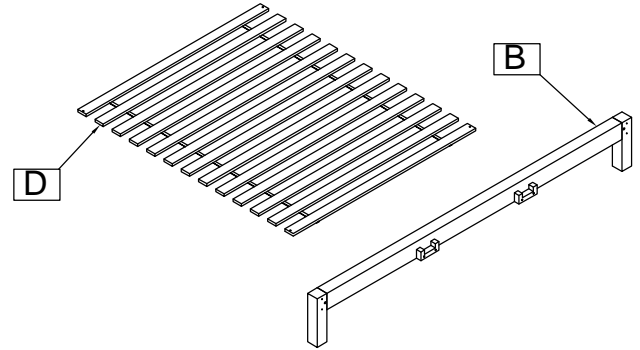
BOX #1

A. HEADBOARD 1 PC



BOX #2

B. FOOTBOARD 1 PC  
D. SLAT ROLL 1 SET  
BED HARDWARE BOX

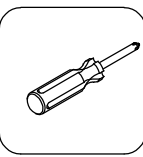
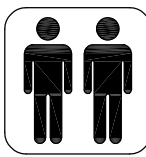
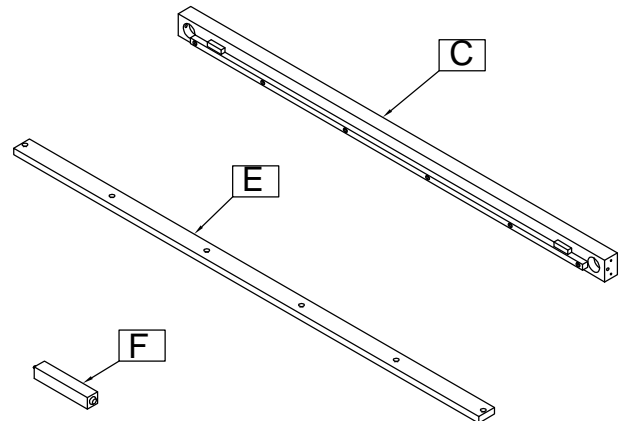


## HARDWARE KIT PACKED IN BOX #2

No.	DESCRIPTION	IMAGE	QUANTITY
1	METAL DOWEL (8x40mm)		8 PCS
2	ALL- THREAD BOLT (5/16"x80mm)		4 PCS
3	THREADED HALF MOON WASHER NUT (5/16")		4 PCS
4	SPANNER		1 PC
5	WOOD SCREW (4x30mm)		8 PCS
6	ALLEN KEY		1 PC

BOX #3 :

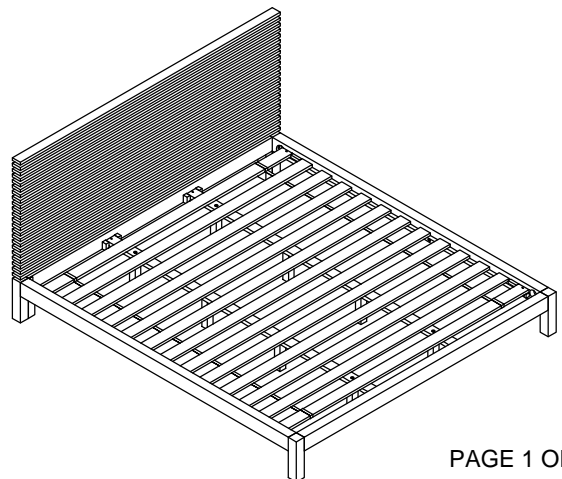
C. SIDE RAIL 2 PCS  
E. CENTER SLAT SUPPORT 2 PCS  
F. SUPPORT LEG 8 PCS



Not provided

ASSEMBLE ON A SOFT SURFACE

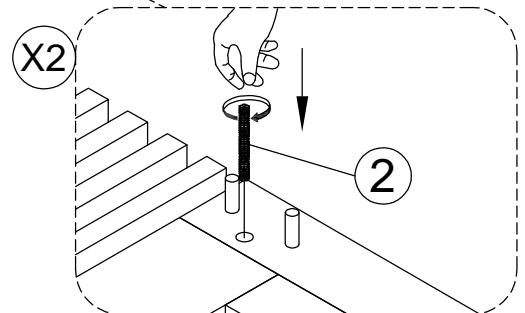
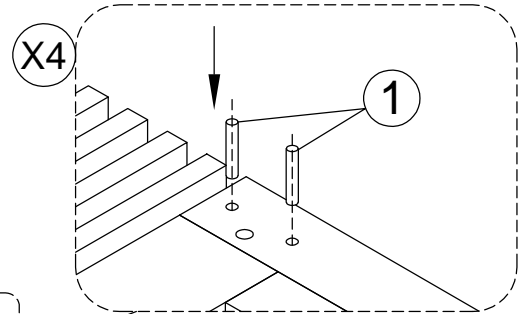
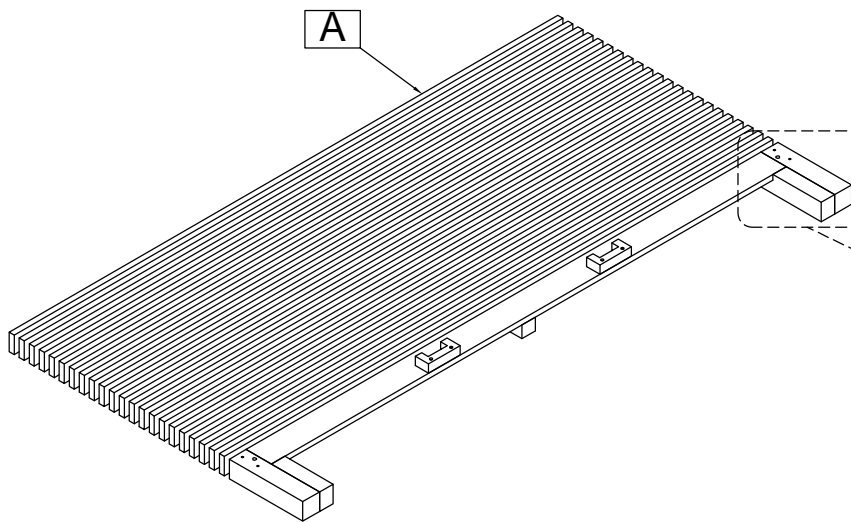
FULLY ASSEMBLED



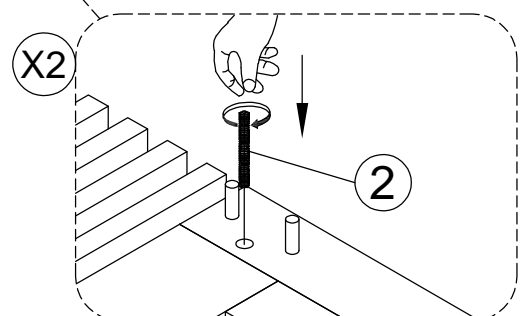
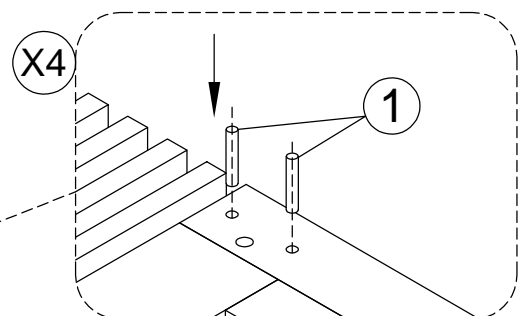
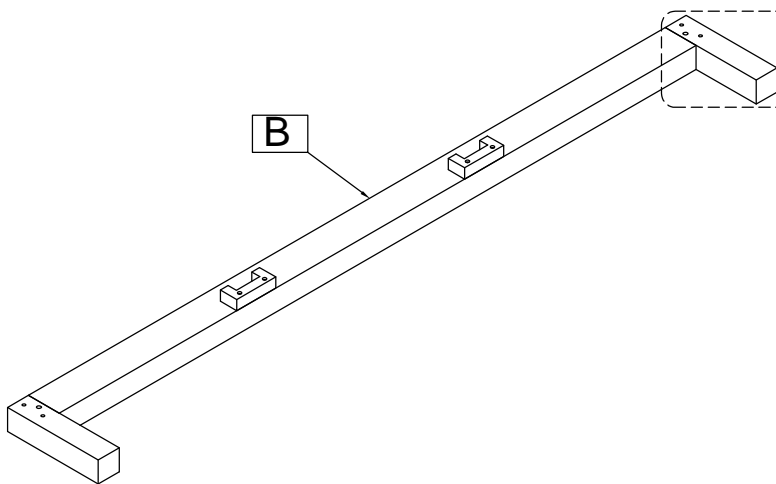
# TANNER KING BED ASSEMBLY INSTRUCTIONS



## STEP #1:



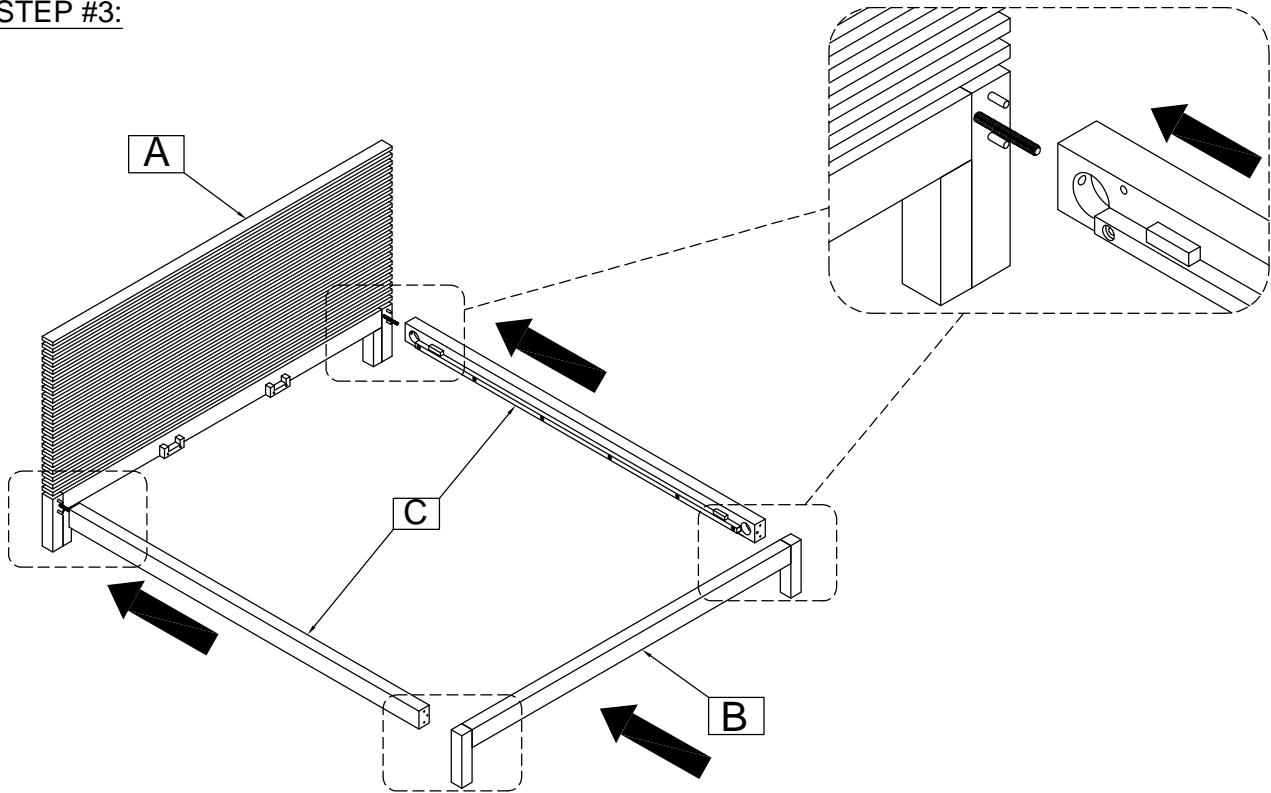
## STEP #2:



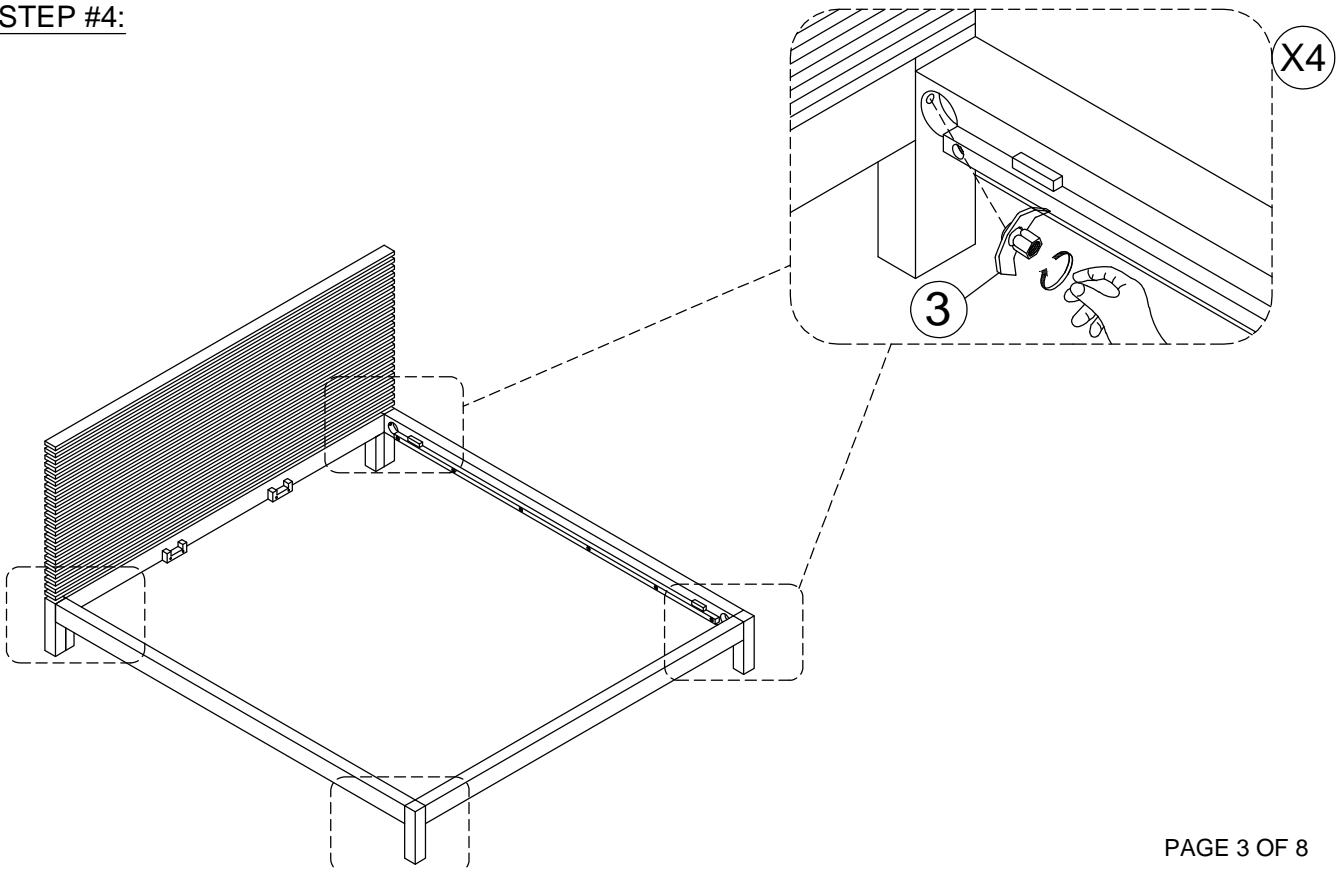
# TANNER KING BED ASSEMBLY INSTRUCTIONS



## STEP #3:



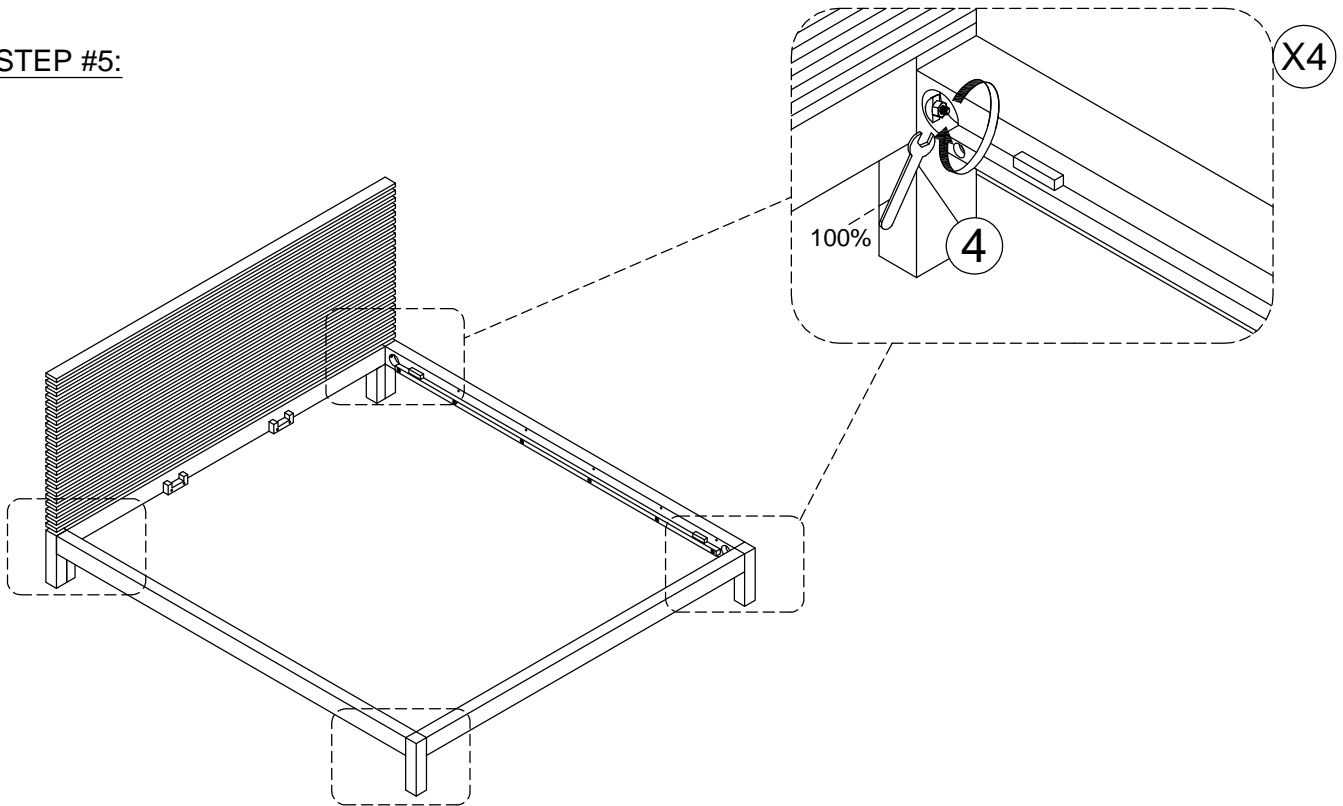
## STEP #4:



# TANNER KING BED ASSEMBLY INSTRUCTIONS



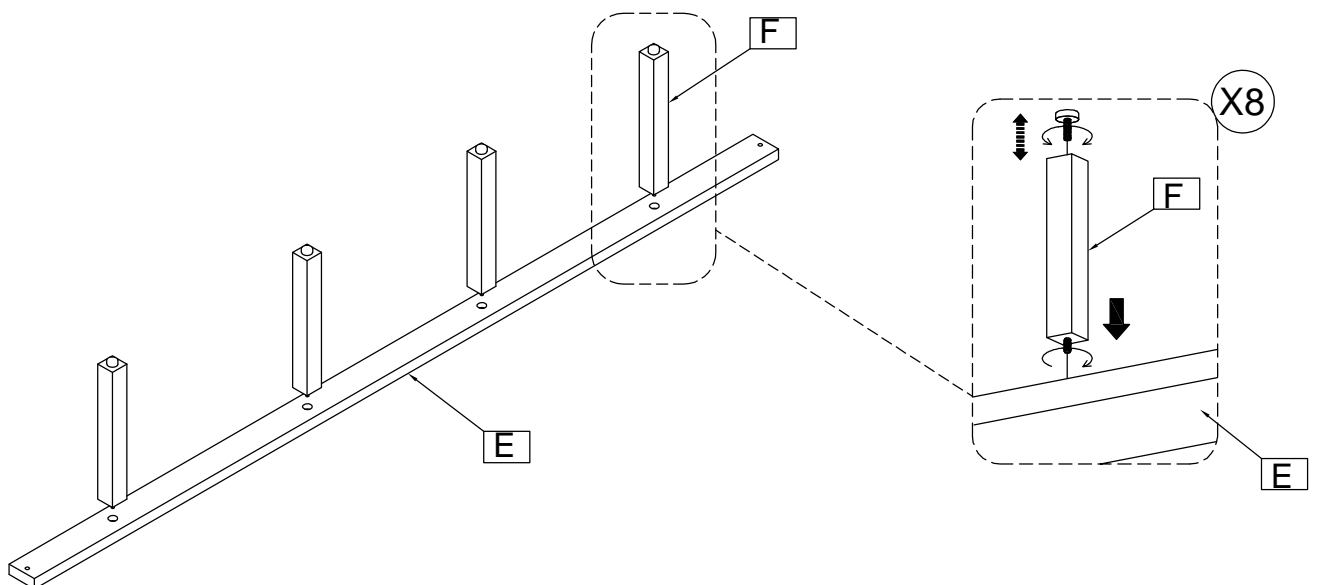
**STEP #5:**



## STOP

- \* IF USING BED FRAME WITH ADJUSTABLE MATTRESS BASE, SKIP TO APPENDIX A: ADJUSTABLE MATTRESS BASE ASSEMBLY SUPPLEMENT.
- \* IF USING BED FRAME WITH STANDARD BOX SPRING OR FOUNDATION CONTINUE TO STEP 6.

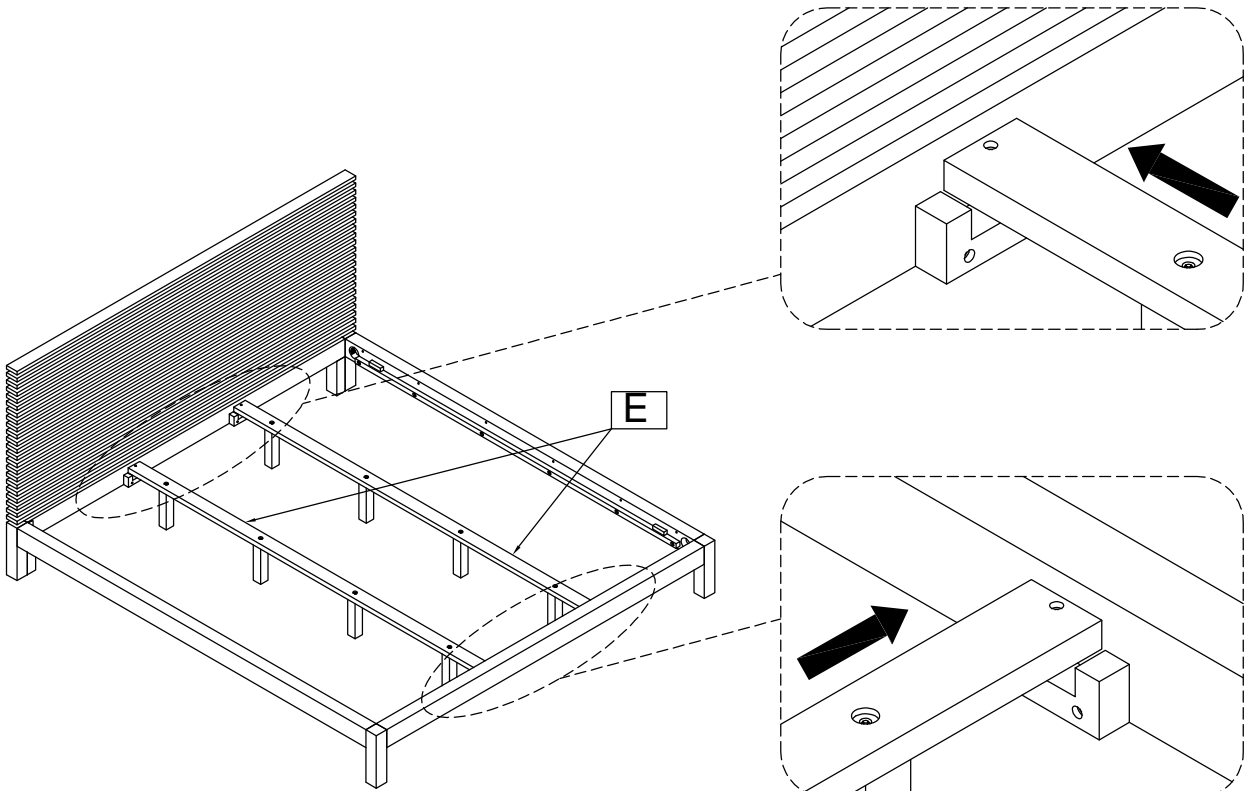
**STEP #6:**



# TANNER KING BED ASSEMBLY INSTRUCTIONS



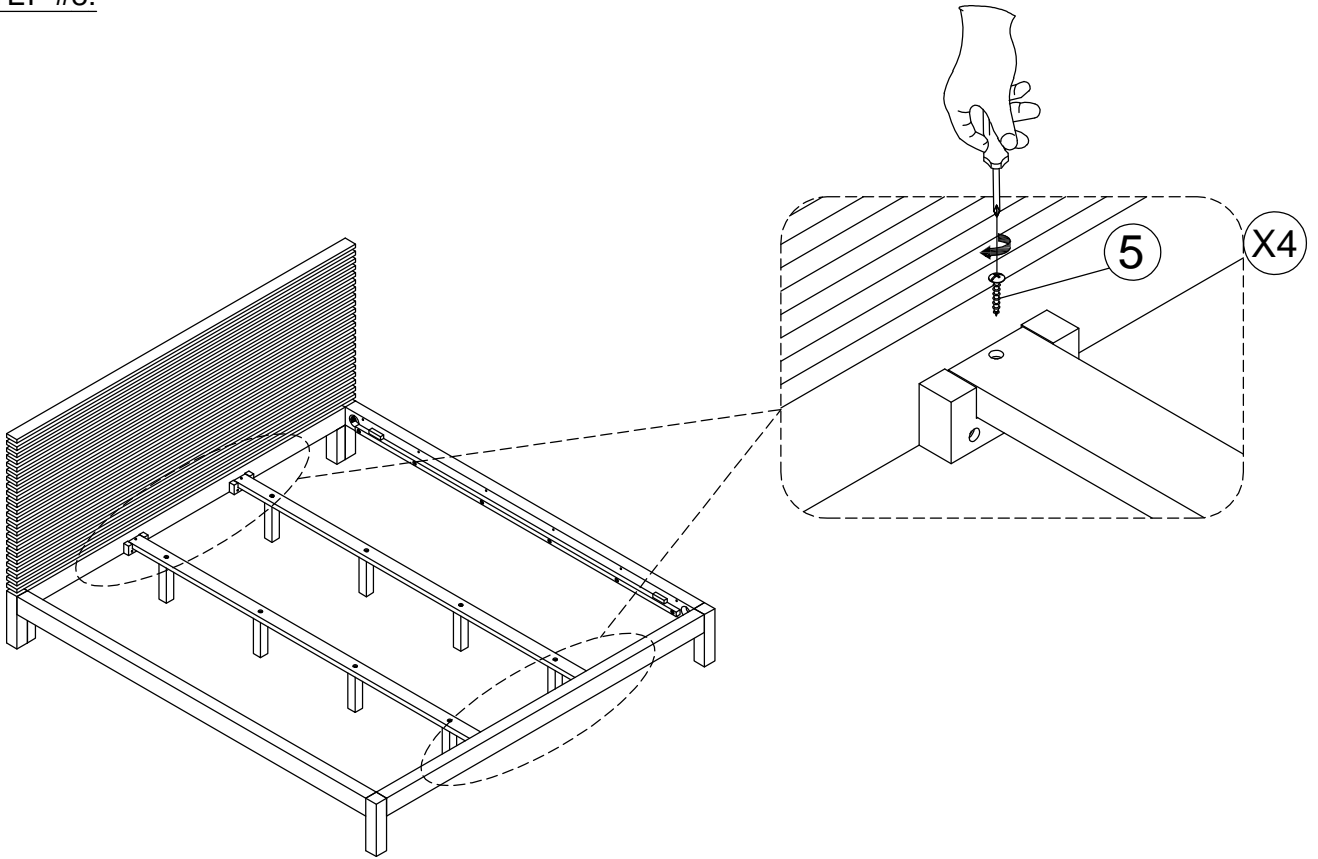
## STEP #7:



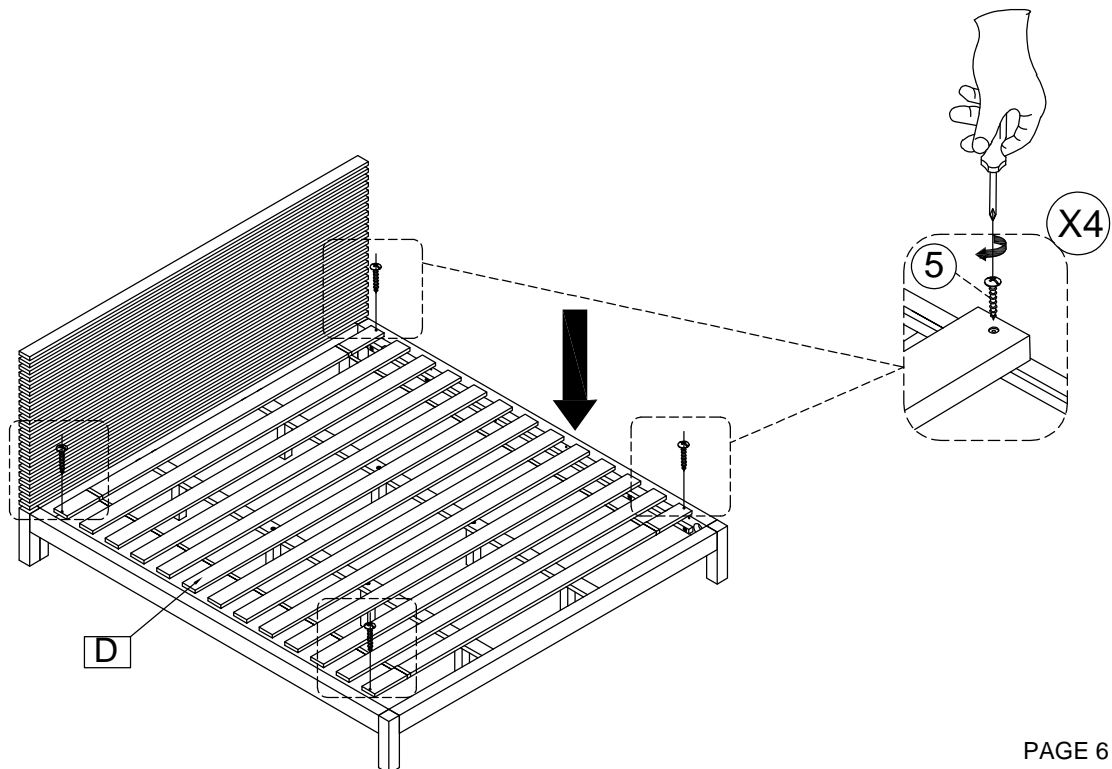
# TANNER KING BED ASSEMBLY INSTRUCTIONS



## STEP #8:



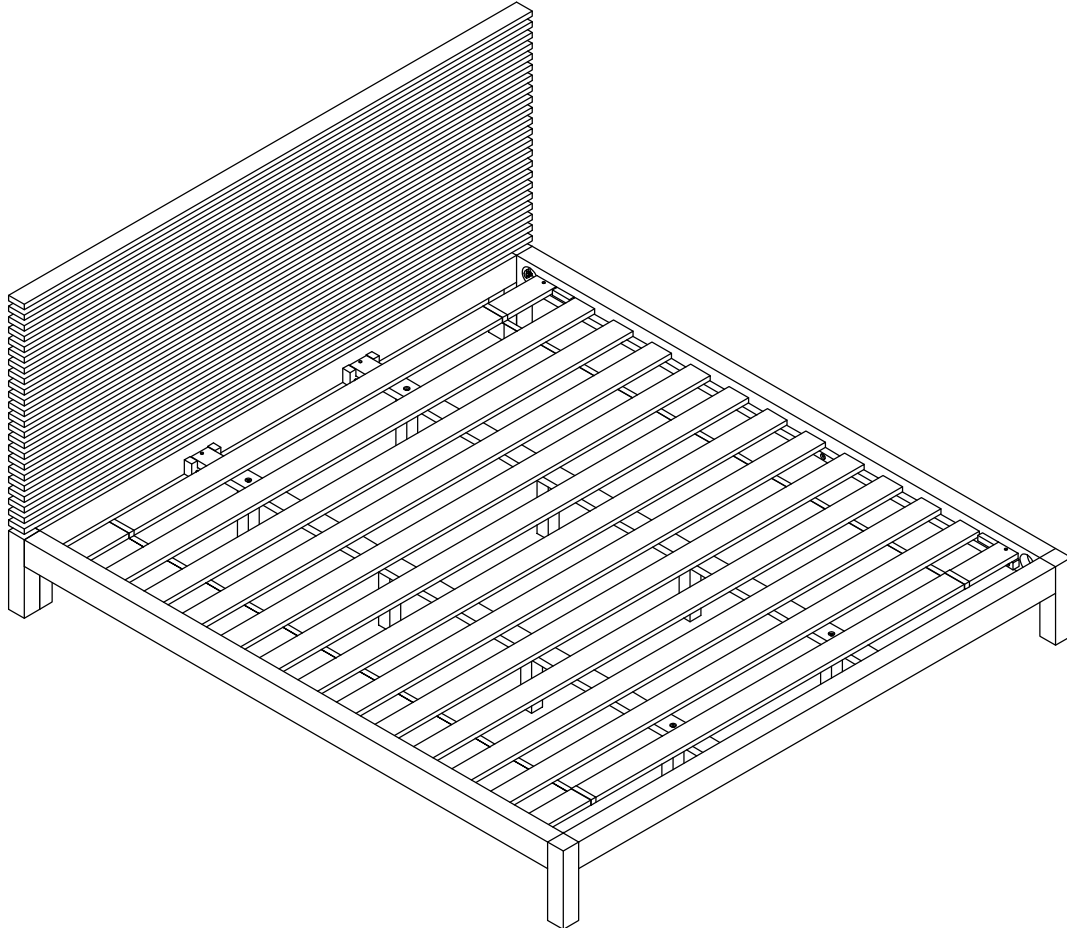
## STEP #9:



# TANNER KING BED ASSEMBLY INSTRUCTIONS



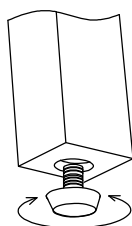
## STEP #10:



ASSEMBLY COMPLETE

### INSTRUCTIONS FOR ADJUSTING LEVELER:

- POSITION THE BED IN YOUR SPACE AND LOCATE THE LEVELER UNDER EACH SUPPORT LEG.
- TURN THE LEVELER COUNTER- CLOCKWISE TO EXTEND THE LEVELER AND CLOCKWISE TO RETRACT IT.
- ADJUST EACH LEVELER UNTIL EACH SUPPORT LEG IS APPLYING EQUAL, UPWARD PRESSURE ON THE BED SUPPORT SLAT.



### MAINTENANCE INSTRUCTIONS:

- PERIODICALLY CHECK ALL FITTINGS AND TIGHTEN IF NECESSARY, AS THEY CAN LOOSEN OVER TIME.
- ALWAYS REMOVE BOX SPRING AND MATTRESS BEFORE MOVING THE BED.
- LIFT THE BED WHEN MOVING IT. DRAGGING THE BED CAN DAMAGE THE CENTER SUPPORT.
- READJUST LEVELERS AFTER MOVING THE BED.

# TANNER KING BED ASSEMBLY INSTRUCTIONS

APPENDIX A: ADJUSTABLE MATTRESS BASE ASSEMBLY SUPPLEMENT



AN ADJUSTABLE MATTRESS BASE IS A FREESTANDING MATTRESS SUPPORT THAT SITS WITHIN THE PERIMETER OF THE BED FRAME.

IF USING THIS BED FRAME WITH A STANDARD BOX SPRING OR FOUNDATION THESE INSTRUCTIONS DO NOT APPLY.

PRE-ASSEMBLED SIDE RAIL CLEATS OBSTRUCT ADJUSTABLE BASE INSTALLATION AND OPERATION.

FOLLOW THESE INSTRUCTIONS TO REMOVE THEM.

THE FOLLOWING PARTS ARE NOT REQUIRED FOR ADJUSTABLE MATTRESS BASE INSTALLATION:

D. SLAT ROLL 1 SET

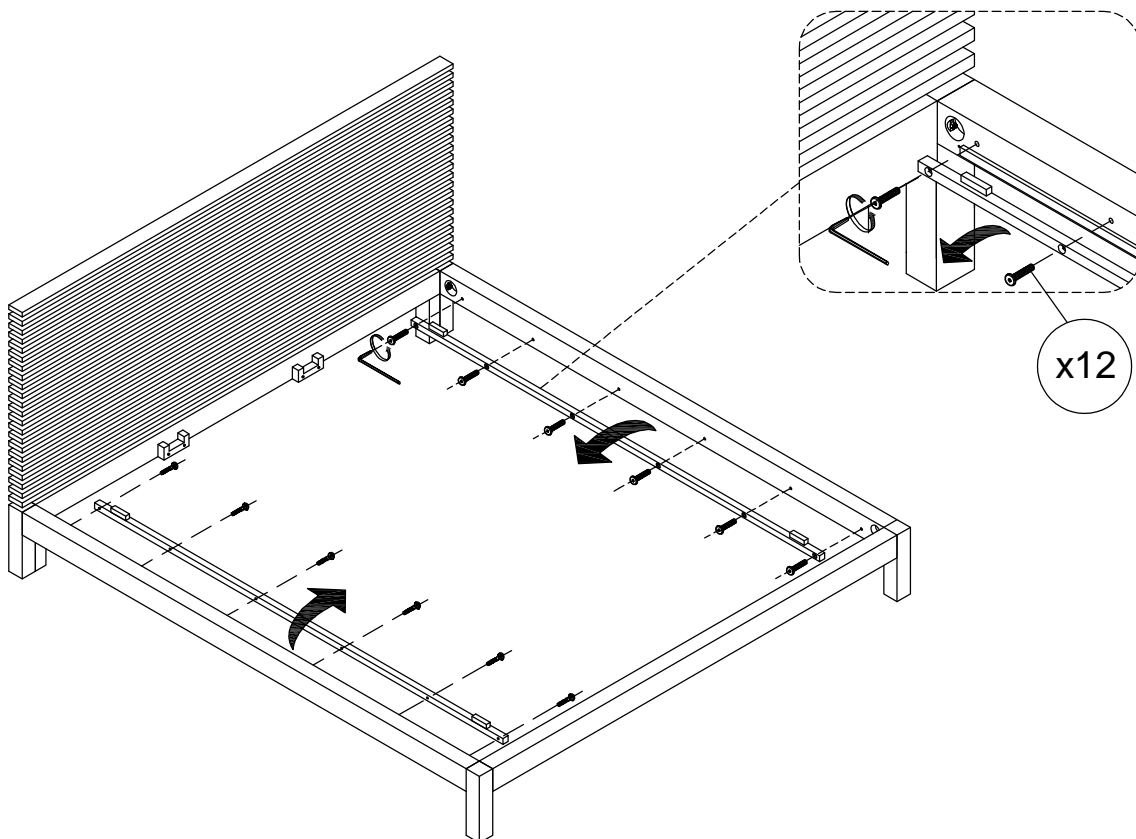
5. WOOD SCREW (4x30MM) 8 PCS

E. CENTER SLAT SUPPORT 2 PCS

F. SUPPORT LEG 8 PCS

STEP 1:

USE ALLEN KEY (6) IN BOX #2 TO UNSCREW ALLEN BOLTS AND REMOVE PRE-ASSEMBLED SIDE RAIL CLEATS.



NOTE: YOU MAY WISH TO RETAIN UNUSED PARTS IF IN THE FUTURE YOU INTEND TO USE THE BED FRAME WITH A STANDARD BOX SPRING OR FOUNDATION