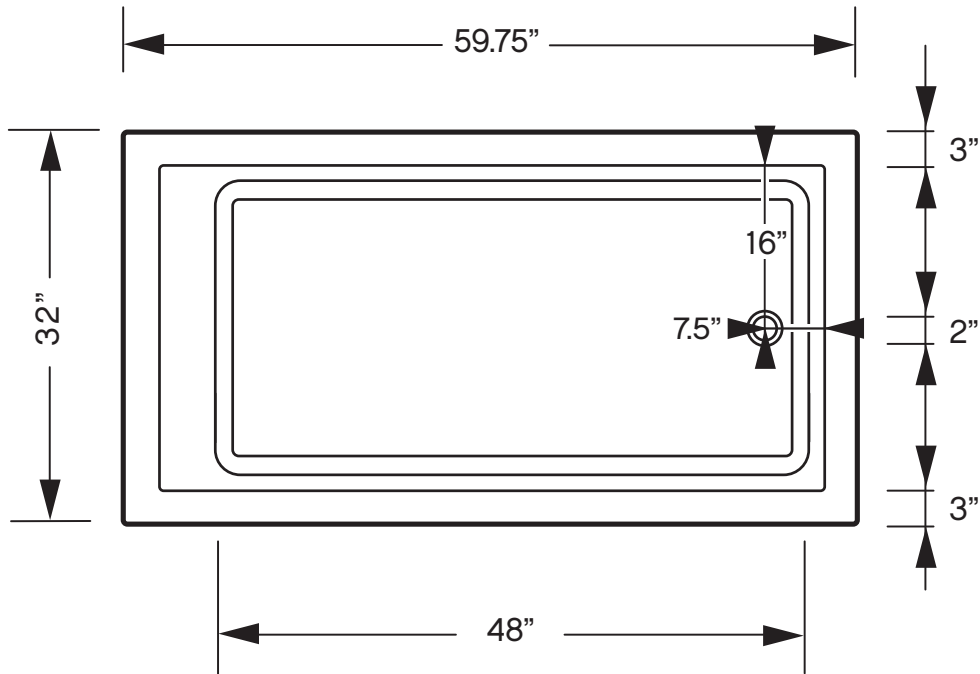
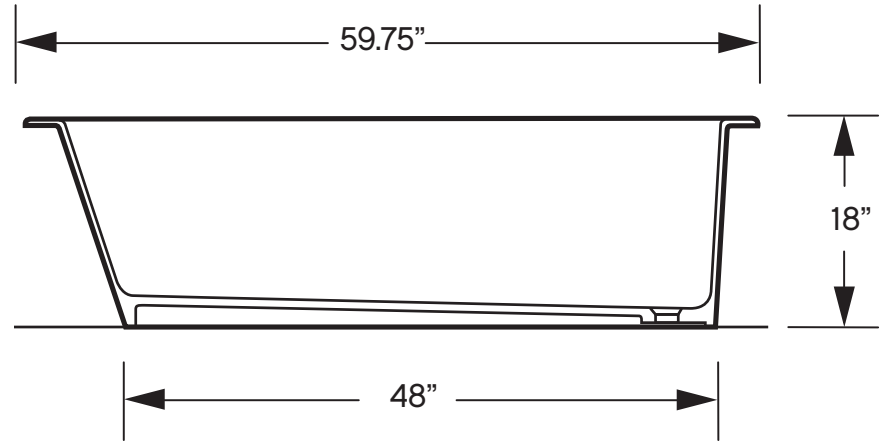
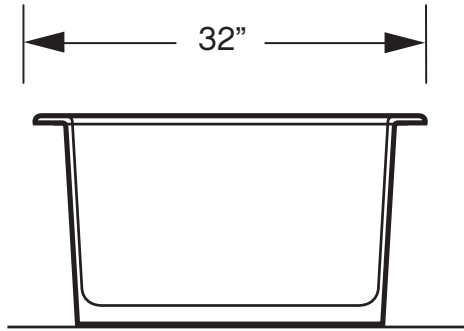


CLARKE

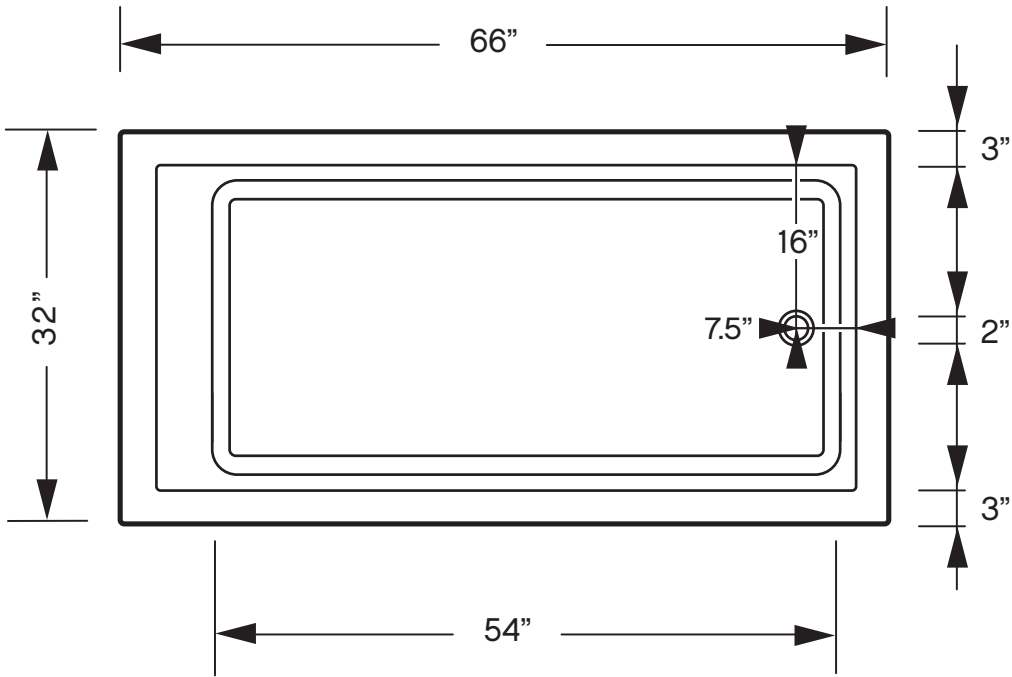
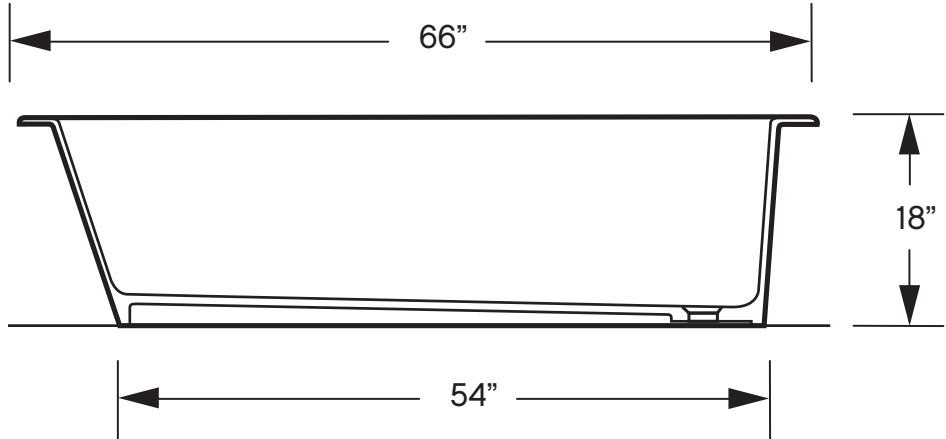
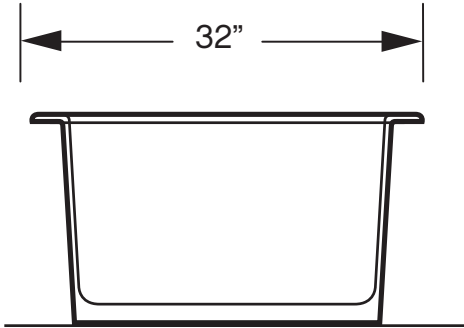
ARCHITECTURAL



SPARTA DROP IN			
LENGTH	59.75"	CAPACITY	73 Gallons
WIDTH	32"	DRAIN	Offset
HEIGHT	18"	MODEL #	CAT6032DI-01

CLARKE

ARCHITECTURAL



SPARTA DROP IN	
LENGTH	66"
WIDTH	32"
HEIGHT	18"
CAPACITY	87 Gallons
DRAIN	Offset
MODEL #	CAT6632DI-01