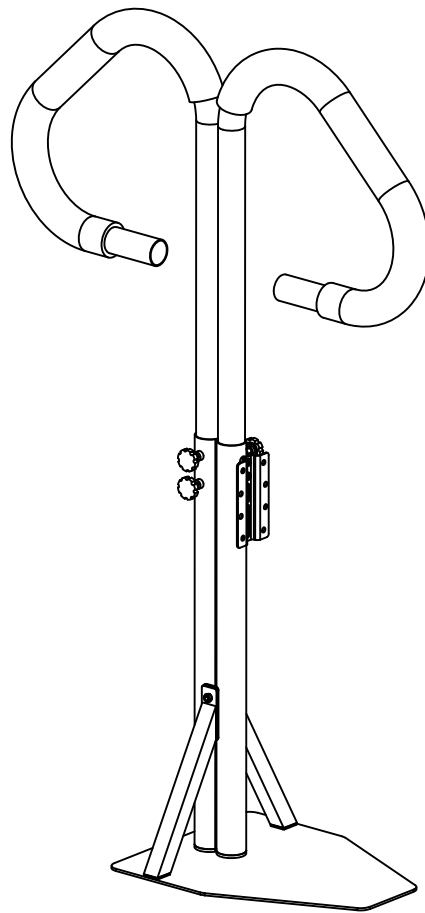




Two-way Hot Tub Handrail

ASSEMBLY MANUAL



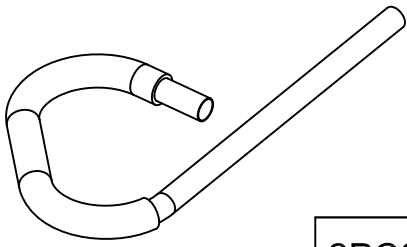
MODEL# : LNCF9425

Missing part? Damaged? Contact us via email at

service@domioutdoorliving.com

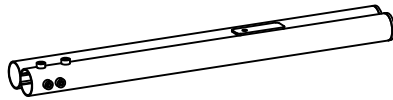
www.domioutdoorliving.com

A



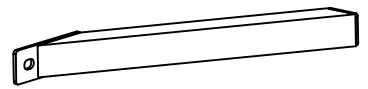
2PCS

B



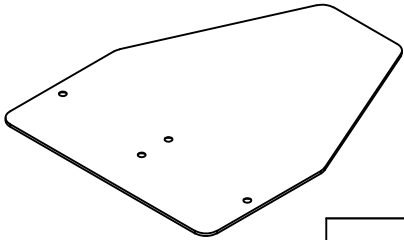
1PC

C



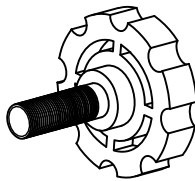
2PCS

D



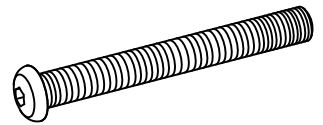
1PC

E



4PCS

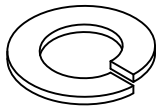
F



M8*70

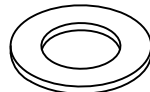
1PC

G



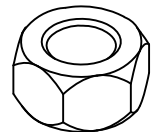
1PC

H



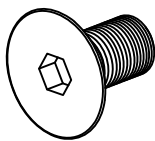
1PC

I



1PC

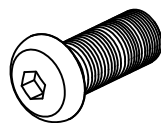
J



M8*16

4PCS

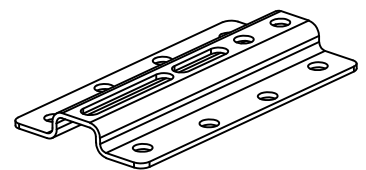
K



M8*10

2PCS

L



1PC

M



1PC

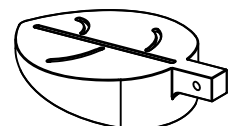
N



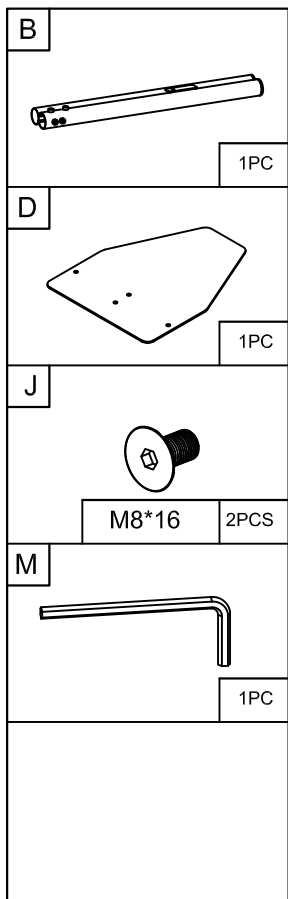
1PC

O

Wedge Blocks

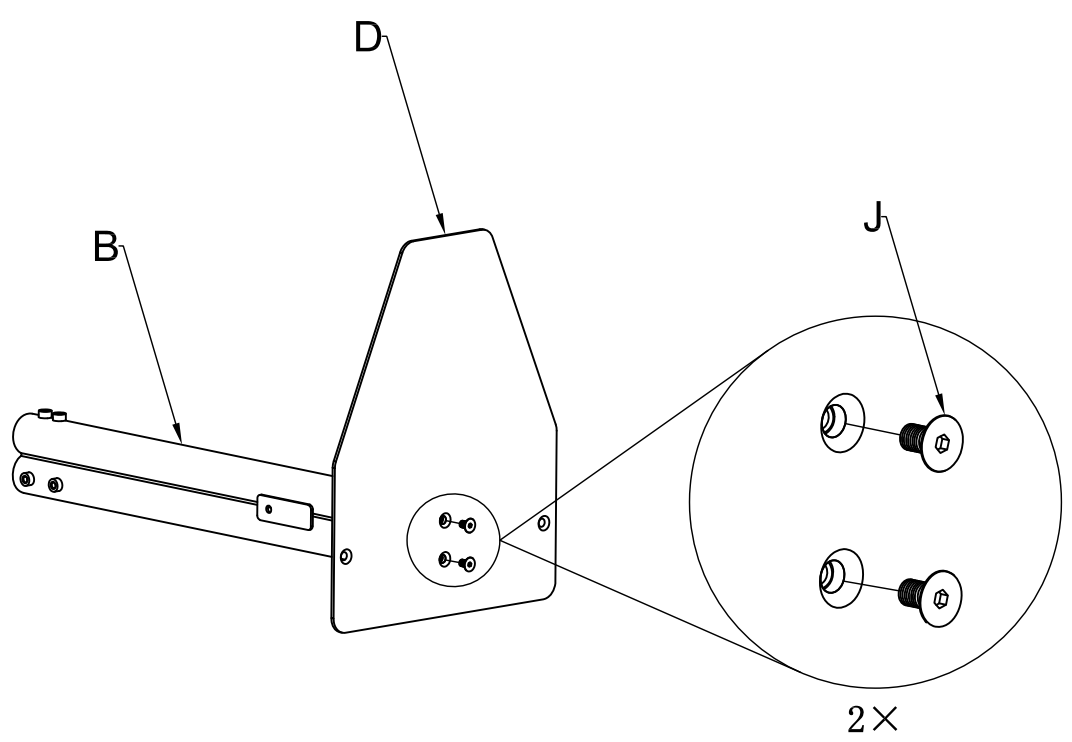


2PCS

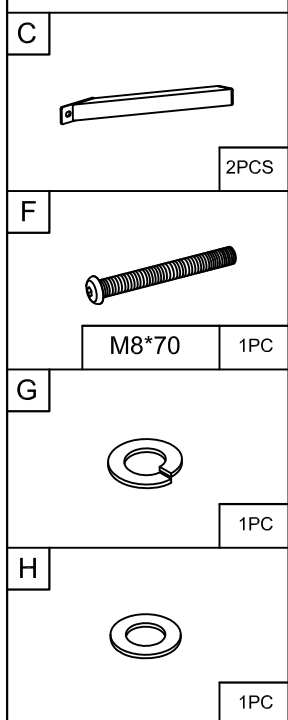


①

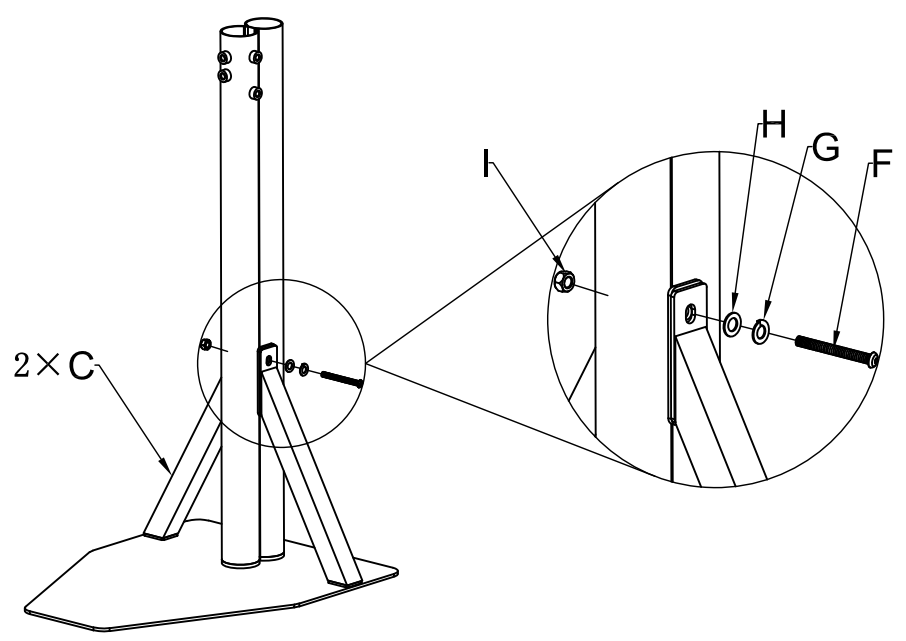
Connect #B and #D with bolts #J.



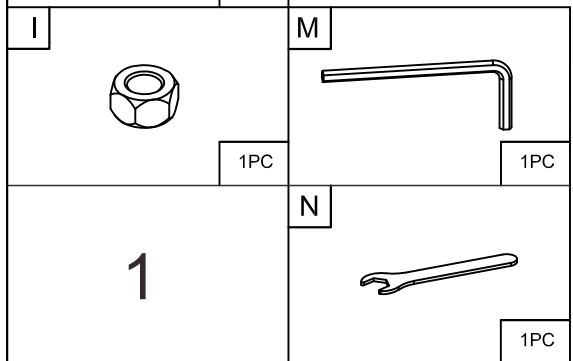
Note: Don't tighten the bolts too much for now.



②

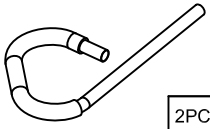


Connect #B and #C together with parts in the order of #H, #G, #F.



Note: Don't tighten the bolts too much for now.

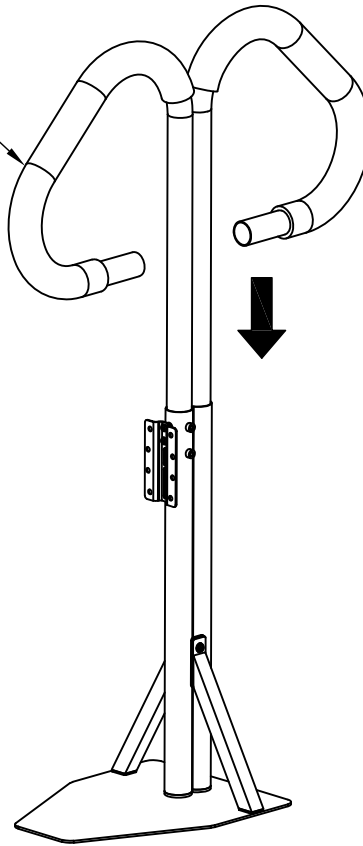
A



2PCS

5

2 × A



Insert #A into #B.

E

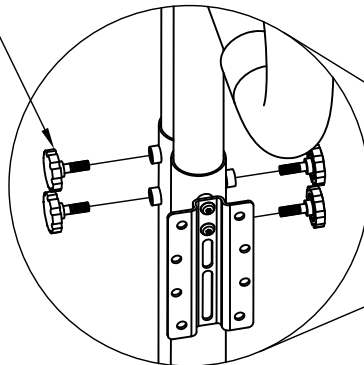


4PCS

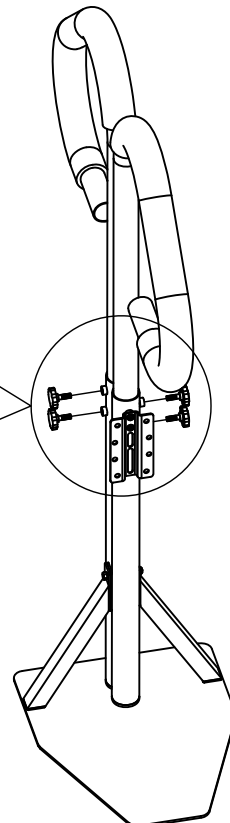
6

Fix #A and #B with 4 #E.

E



4 ×

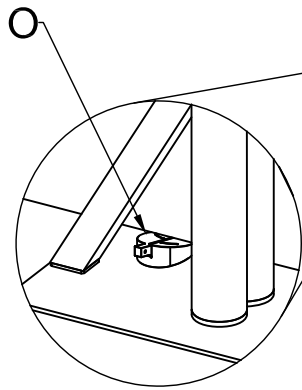
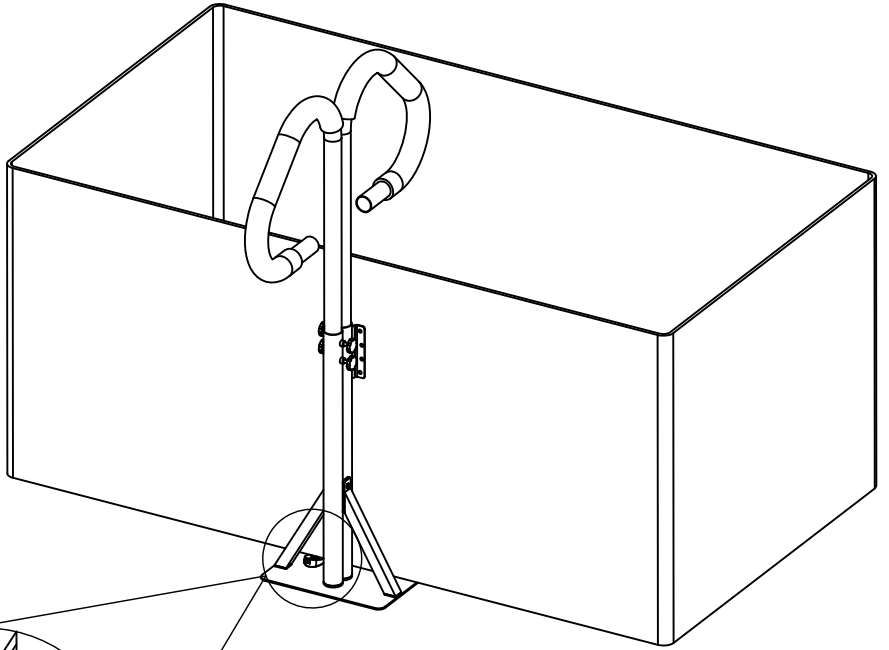


3

7



2PCS

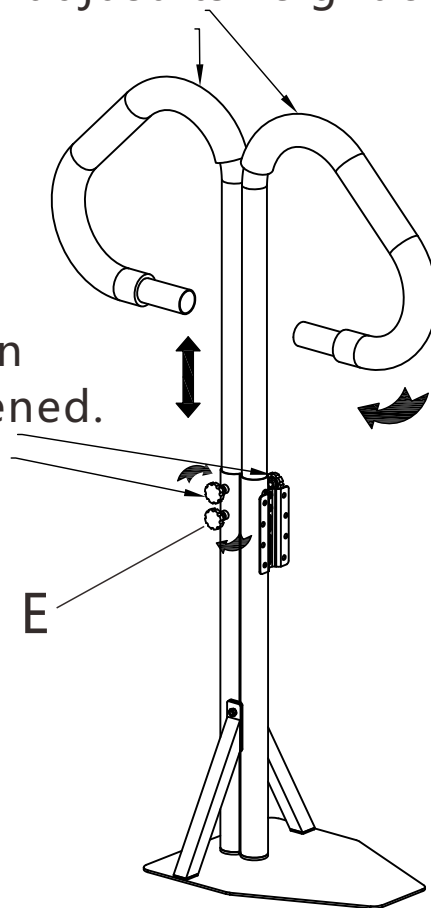


Assemble wedge blocks #K to eliminate gaps for seamless fit.

8

Loosening #E can adjust its height or direction.

Adjustable handle can be loosened or tightened.





Thanks for your purchase.

At domi outdoor living, we believe in our products.

That's why we provide a 12-month warranty and friendly, easy-to-reach after-sales service. So, if you have any questions about our product or assembly, please feel free to contact us. We are here for you.

Support:  

After-sales contact email:

service@domioutdoorliving.com

Business cooperation contact email:

marketing@domioutdoorliving.com

Please have your order ID available if you reach out for support.

If you have damaged parts or product, please send us photos for an immediate response.