

HEADBOARD

ASSEMBLY INSTRUCTIONS

Before assembling your Headboard, please read through these instructions carefully and familiarize yourself with the different parts.



PARTS LIST

- 1 HEADBOARD PANEL 1 PC
- 2 LEFT LEG 1 PC
- 3 RIGHT LEG 1 PC
- 4 SPACER BLOCK 2 PCS

Instructions apply for all bed sizes
TWIN > FULL > QUEEN > KING

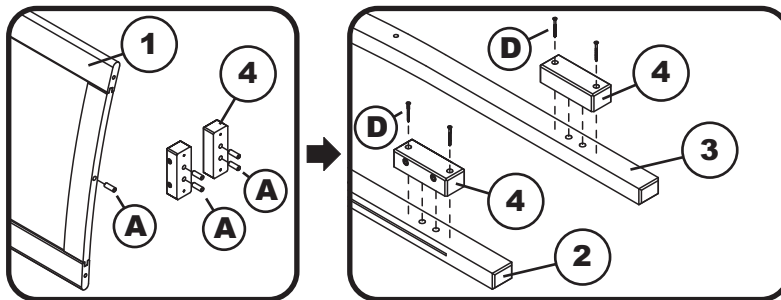
HARDWARE

- A Wooden Dowel - 6 pcs
Spare - 2 pcs
- B JCB M6 X 70mm (2 3/4") - 4 pcs
Spare - 1 pc
- C Barrel Nut - 4 pcs
Spare - 1 pc
- D Wood Screw - 4 pcs
Spare - 1 pc
- E JCB M6 X 25mm (1") - 4 pcs
Spare - 1 pc
- F Flat Washer - 4 pcs
Spare - 1 pc
- G Split Washer - 4 pcs
Spare - 1 pc
- H Allen Wrench - 1 pc
Spare - 1 pc

NOTE: WE INCLUDE SPARE HARDWARE IN CASE THE ALLEN WRENCH, JCB, BARREL NUT, WOODEN DOWEL, WOOD SCREW, SPLIT OR FLAT WASHER ARE DAMAGED DURING ASSEMBLY.

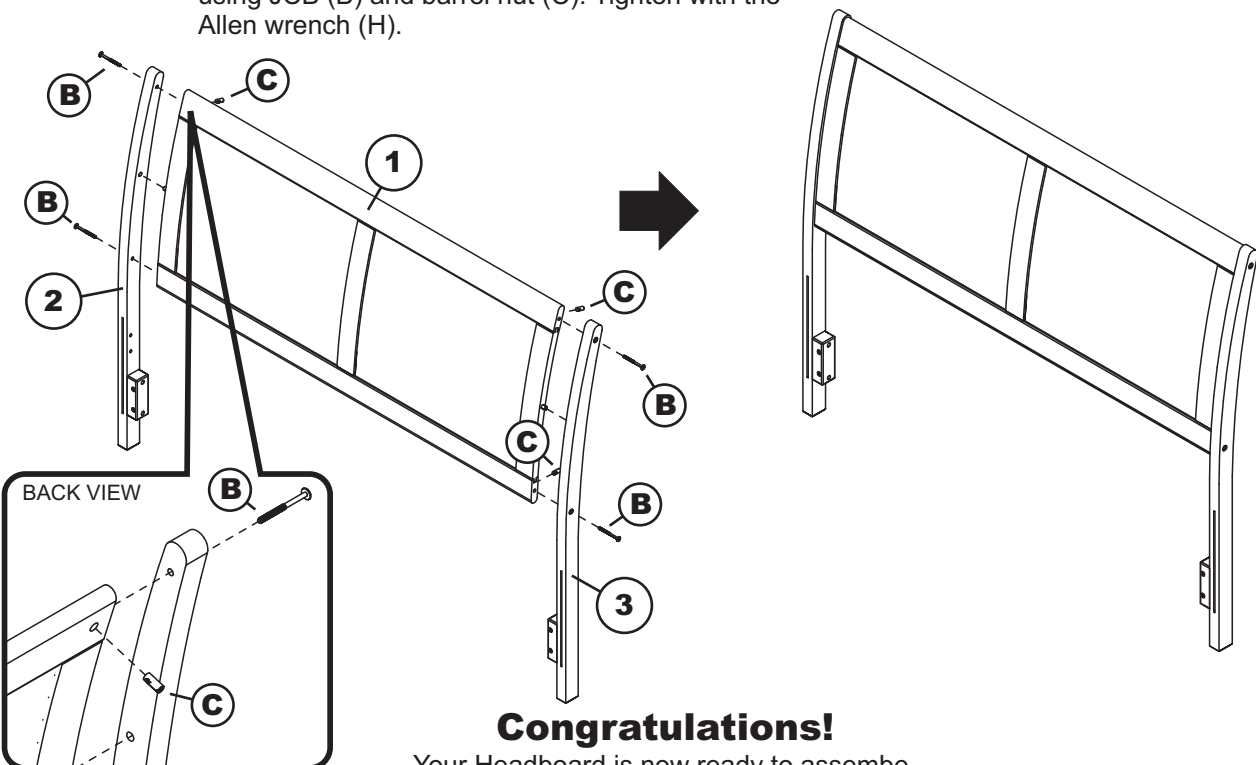
Step 1

Insert wooden dowels (A) to the locator holes on (1) and (4). Attach the spacer blocks (4) to the legs (2) and (3), using wood screws (D), as shown below. Tighten with Phillips head screwdriver. (Customer Supplied)



Step 2

Attach the legs (2) and (3) to the headboard panel (1), using JCB (B) and barrel nut (C). Tighten with the Allen wrench (H).



Congratulations!

Your Headboard is now ready to assemble.

To ensure lasting safety, we recommend that you periodically check that all screws are tight and all parts are secure.

BED

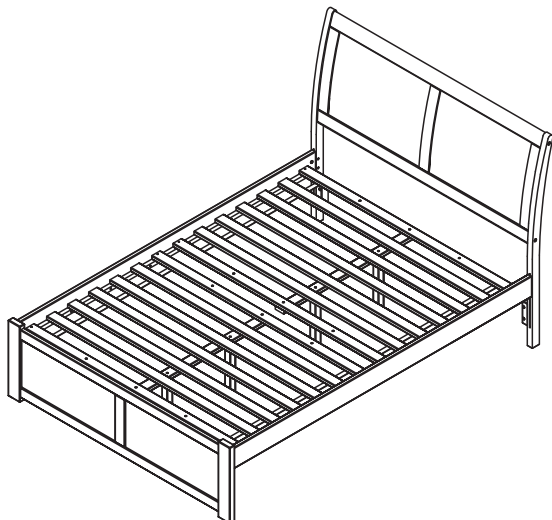
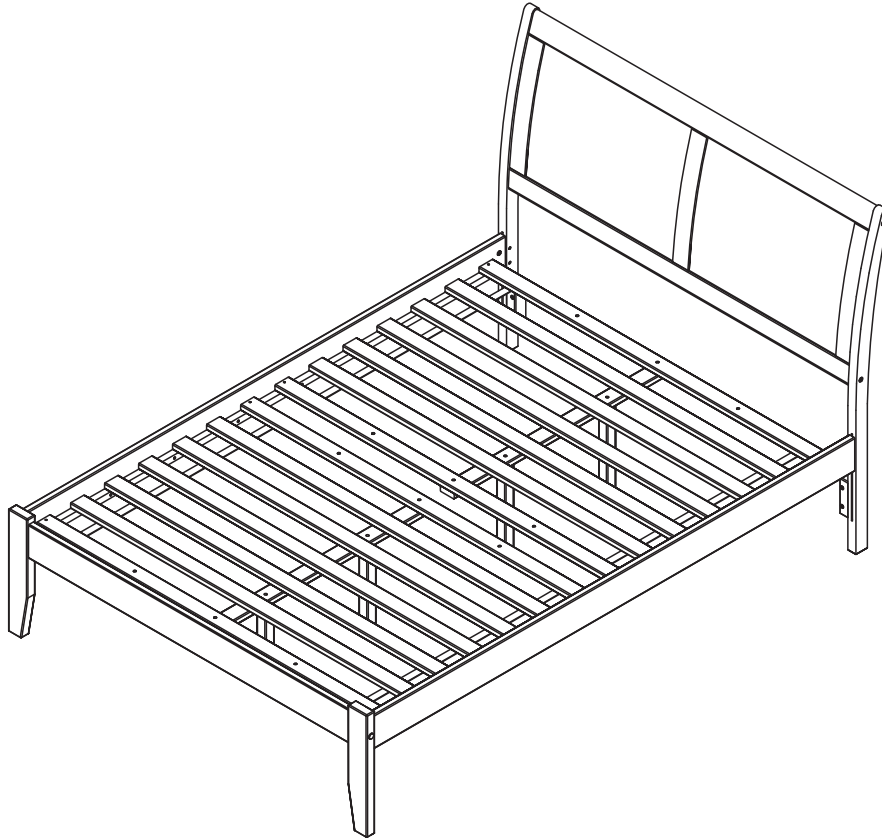
ASSEMBLY INSTRUCTIONS

Before assembling your Headboard, please read through these instructions carefully and familiarize yourself with the different parts.

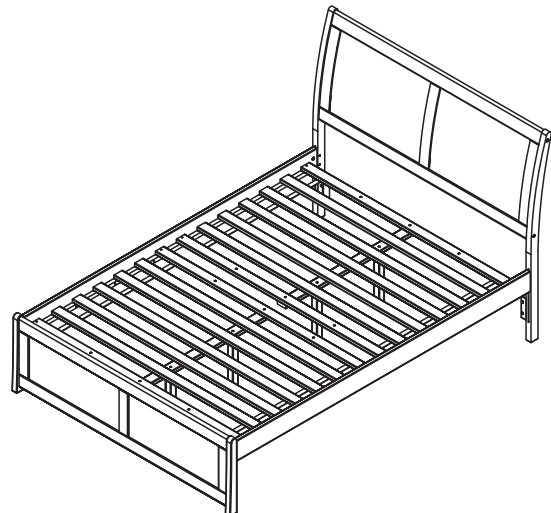


Instructions apply for all bed sizes
TWIN > FULL > QUEEN > KING

BED SHOWN WITH OPEN FOOTRAIL



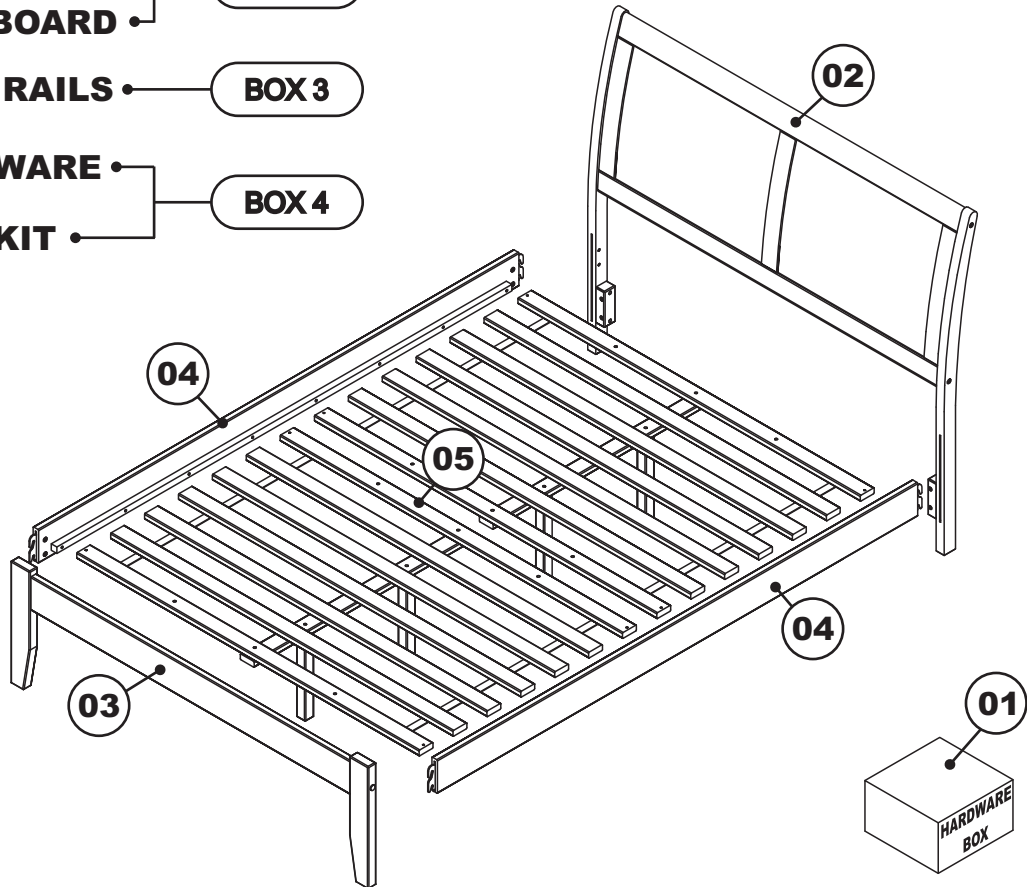
BED SHOWN WITH FLAT PANEL FOOTBOARD



BED SHOWN WITH MATCHING FOOTBOARD

PARTS LIST

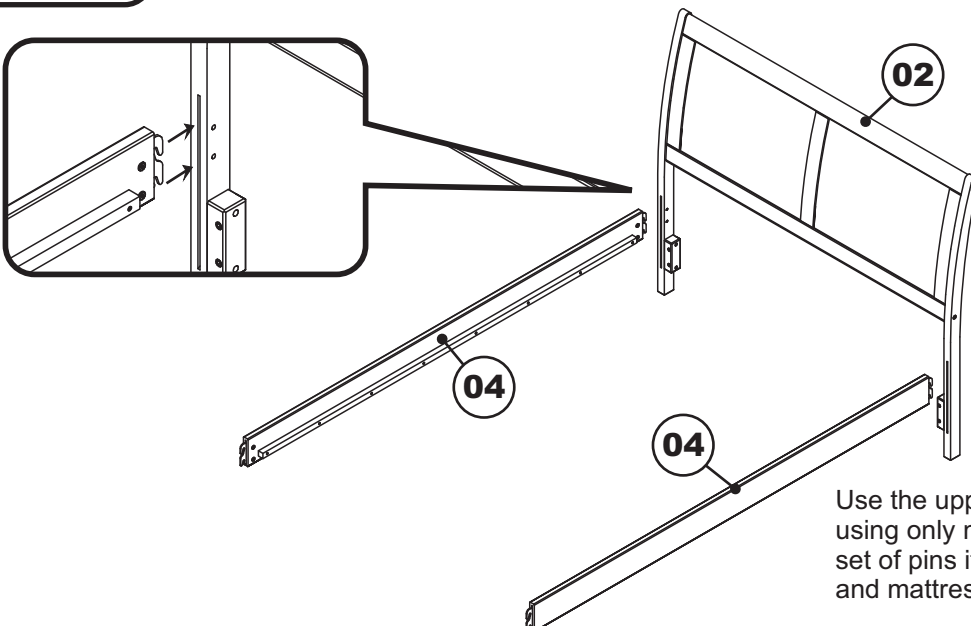
- 01 HARDWARE — BOX 1
- 02 HEADBOARD — BOX 1
- 01 HARDWARE — BOX 2
- 03 FOOTBOARD — BOX 2
- 04 LONG RAILS — BOX 3
- 01 HARDWARE — BOX 4
- 05 SLAT KIT — BOX 4



BED SHOWN WITH OPEN FOOTRAIL

Step 1

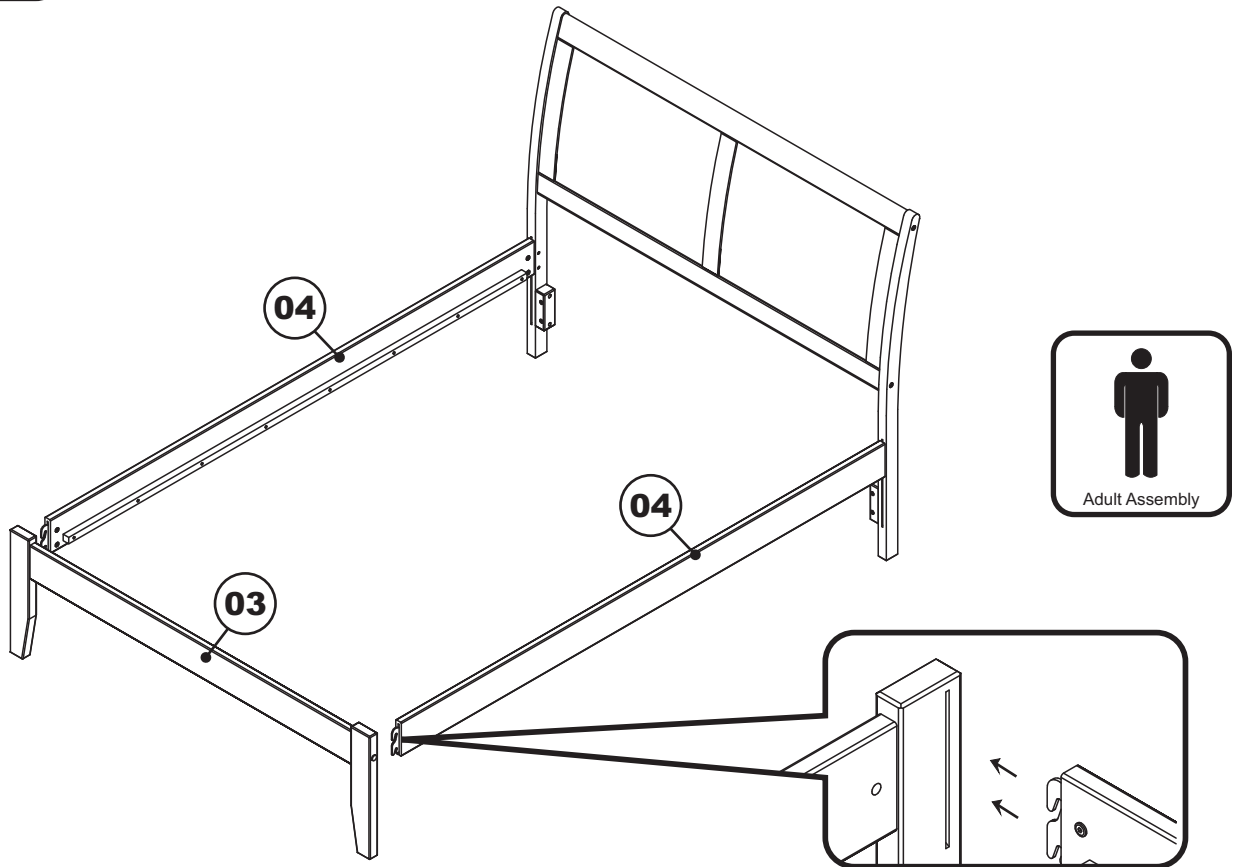
Attach the long rails (04) to the headboard (02) using the bed hook as shown below.



Use the upper set of pins when using only mattress, use the lower set of pins if using both box spring and mattress.

Step 2

Attach the long rail assemblies (04) to the footboard (03) using bed hook as shown below.



BED SHOWN WITH OPEN FOOTRAIL

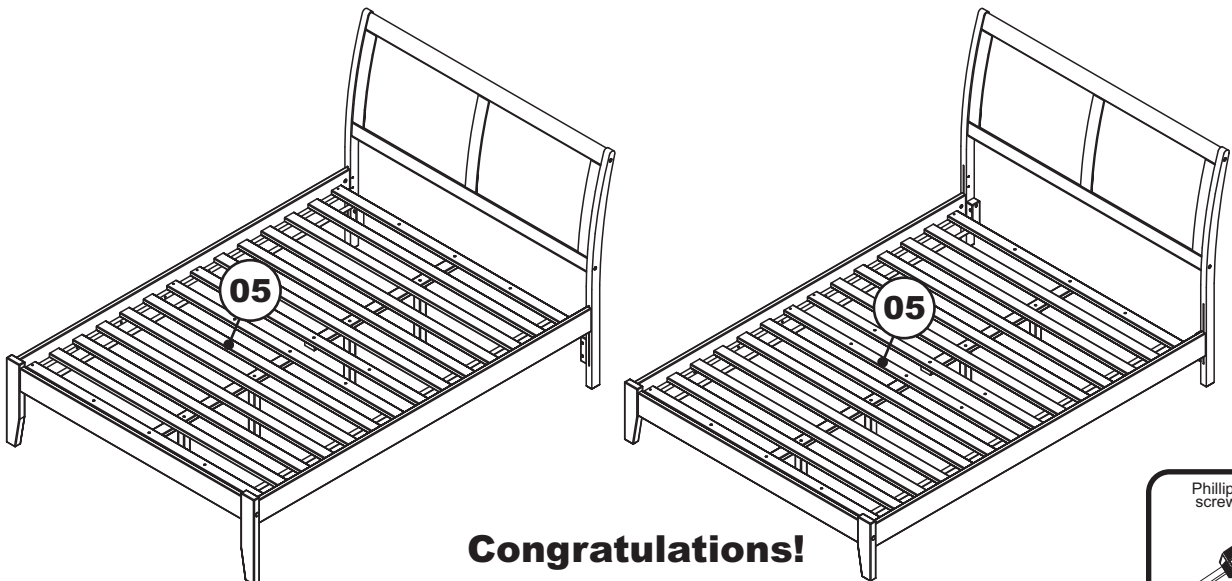
Step 3

Lastly, lay slat kit (05) onto the bed. For slat kit assembly, follow the assembly instructions included with slat kit.

BED SHOWN WITH OPEN FOOTRAIL

PLATFORM BED - TALL HEIGHT

TRADITIONAL BED - LOW HEIGHT

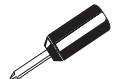


Congratulations!

Your bed is now ready for use.

To ensure lasting safety, we recommend that you periodically check that all screws are tight and all parts are secure.

Phillips head
screwdriver



Customer supplied

HEADBOARD

attach to metal frame sold separately

ASSEMBLY INSTRUCTIONS

Before assembling your Bed, please read through these instructions carefully and familiarize yourself with the different parts.

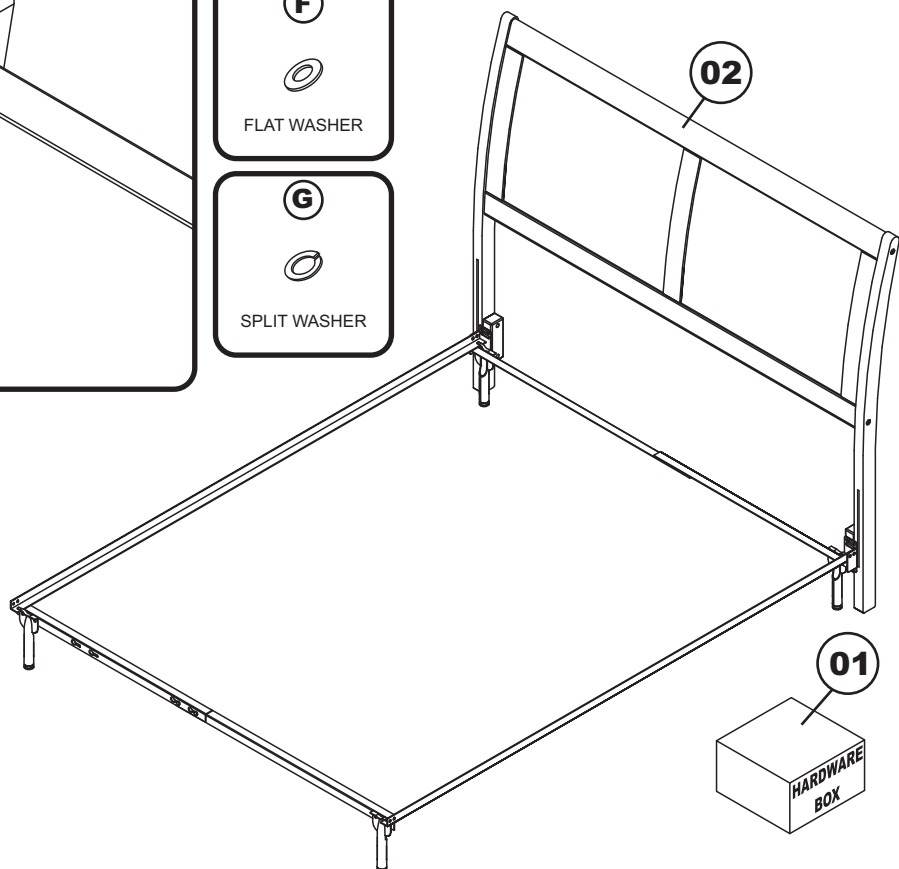
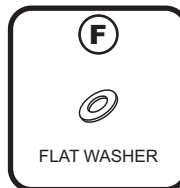
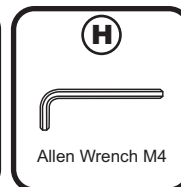
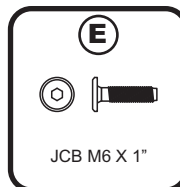
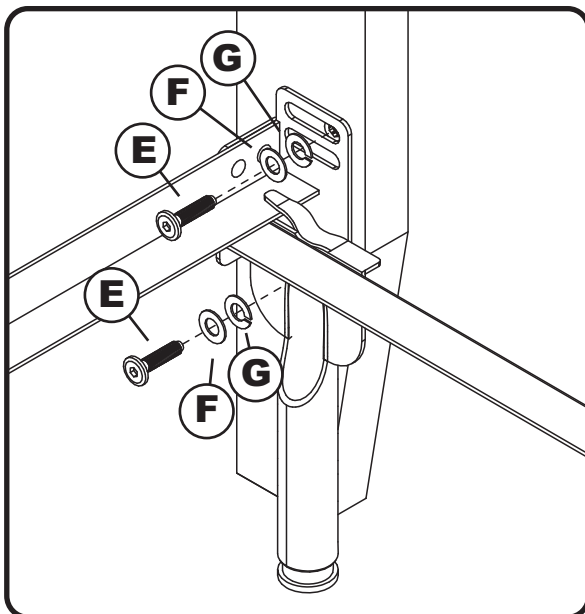
Instructions apply for all bed sizes
Twin > Full > Queen > King



PARTS LIST

- 01 HARDWARE
- 02 HEADBOARD

Step 1 Attach the headboard assembly (02) to the metal frame using JCB (E), flat washer (F), and split washer (G) then tighten with Allen wrench, as shown below.



Congratulations!

Your Bed is now ready for use.

To ensure lasting safety, we recommend that you periodically check that all screws are tight and all parts are secure.