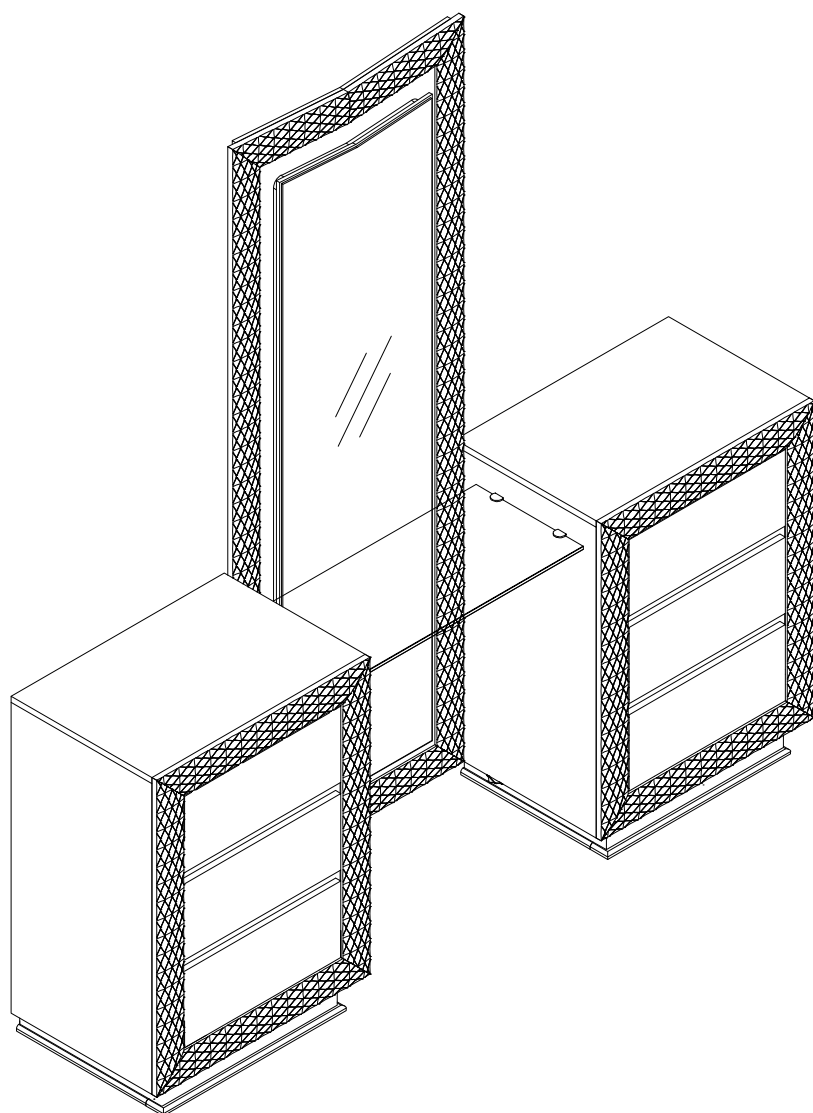


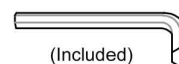
ASSEMBLY INSTRUCTIONS



TOOLS REQUIRED



Screwdriver
(Not included)



(Included)
Allen Wrench



2 - People

ASSEMBLY RATING



EASY —————> DIFFICULT

The Assembly Rating is a 5-point system showing the level of effort needed to assemble a specific product.



CHECK BEFORE STARTING

Are you missing anything?

Double-check all parts, hardware and accessories listed are all accounted for.

Check out our Quick Tips!

We recommend reviewing the pre-assembly handouts. Even experts need a refresher now and then!

Should we send any replacements?

Are there any irregularities or flaws in the parts? We can send replacements!

Prep Time!

Please review the assembly instructions and all diagrams prior to assembling.

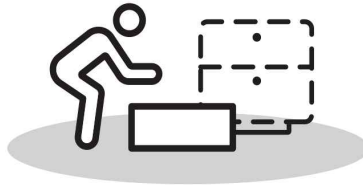
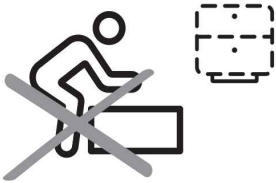
PRE ASSEMBLY INTRODUCTION

We understand building ready-to-assemble furniture can be a challenging experience for some. To help avoid confusion, we have provided some helpful tips that may speed up the process.



Teamwork

ALWAYS have at least two people to help with transporting and assembling the product to avoid potential injury and/or damage.



Suitable Location

Assembling near the area of the intended location is highly recommended.



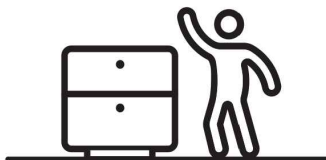
Sufficient Space

Make sure you have enough space to move around during the assembly.



Avoid Scratches

Use cardboard, blankets or a carpeted area while assembling furniture to prevent to prevent scratches and damages.



Flat Surface

Make sure the furniture rests on a flat and level surface with each leg evenly touching the floor.

ASSEMBLY AND CARE ADVICE



FAILURE TO FOLLOW THE GUIDELINES BELOW MAY RESULT IN INJURY AND/OR PROPERTY DAMAGE.



Position each part correctly and insert screws or bolts into their respective holes.



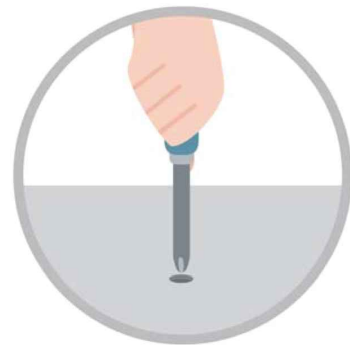
Turn clockwise to tighten and only tighten when step is completed or when instructed to do so.



Use the appropriate hand tools or power tools for assembly. Select steps, such as tightening screws and/or bolts, may require hand tools to avoid causing damage during assembly.



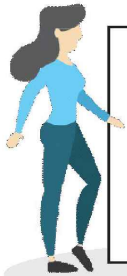
Save the instructions and store any supplied tools for later maintenance.



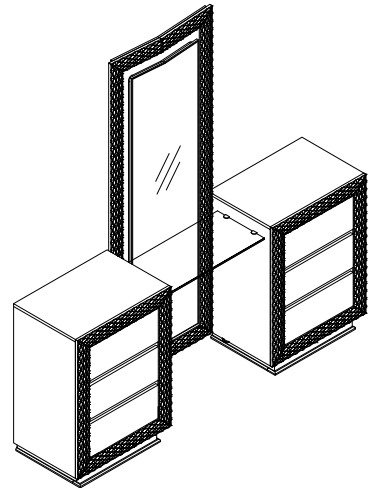
After two weeks, check and tighten any loose hardware and repeat again every six months thereafter.

IT IS THE USER'S RESPONSIBILITY TO MAINTAIN THE FURNITURE. THE HARDWARE MAY LOOSEN OVER TIME AND MAY CAUSE THE FURNITURE TO BE WOBBLY AND UNABLE TO SUPPORT ITS INTENDED WEIGHT CAPACITY. THIS MAY LEAD TO COLLAPSE AND MAY CAUSE SERIOUS INJURY.




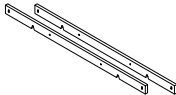
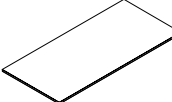
VANITY DRESSER



- Please keep instructions for future reference.
- Check the quantity and irregularity of parts and hardware before you start.






















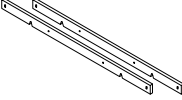
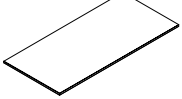
PARTS

<p>① 1pc</p>  <p>VANITY DRESSER LEFT</p>	<p>② 1pc</p>  <p>VANITY DRESSER RIGHT</p>	<p>③ 1pc</p>  <p>FLOOR MIRROR</p>	<p>④ 2pcs</p>  <p>MIRROR SUPPORTER</p>	<p>⑤ 1pc</p>  <p>GLASS SHELF</p>
--	---	---	---	---

HARDWARE

HARDWARE INSIDE FLOOR MIRROR

<p>Ⓐ 4pcs</p>  <p>JCBC M6 X 35mm</p>	<p>Ⓑ 8pcs</p>  <p>JCBC M6 X 45mm</p>	<p>Ⓒ 12pcs</p>  <p>Lock Washer</p>	<p>Ⓓ 12pcs</p>  <p>Flat Washer</p>	<p>Ⓔ 4pcs</p>  <p>Glass Shelf Clamp</p>	<p>Ⓕ 8pcs</p>  <p>CSK SCREW M3.5 X 16mm</p>
<p>Ⓖ 1pc</p>  <p>Allen Key M4</p>	<p>Ⓗ 1pc</p>  <p>Adaptor</p>				

Carton	Description	Part		Hardware
01	VANITY DRESSER LEFT	①	 X1	
02	VANITY DRESSER RIGHT	②	 X1	
03	FLOOR MIRROR	③	 X1	 A x4pcs  B x8pcs  C x12pcs  D x12pcs  E x4pcs  F x8pcs  G x1pc  H x1pc
	MIRROR SUPPORTER	④	 X2	
	GLASS SHELF	⑤	 X1	

ASSEMBLY INSTRUCTIONS

1

Part ③ x1pc

Part ④ x2pcs

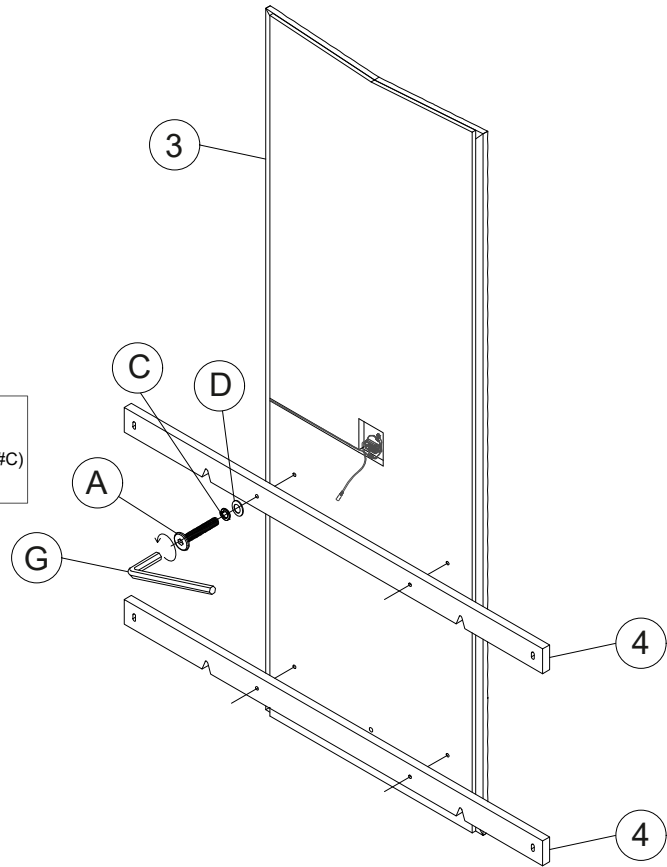
Hardware ① x4pcs

Hardware ② x4pcs

Hardware ③ x4pcs

Hardware ④ x1pc

Use Allen Key (#G) to attach the Mirror Supporter (#4) to Floor Mirror (#3) back by using JCBC Screw (#A) with Lock Washer (#C) and Flat Washer (#D).



2

Part ① x1pc

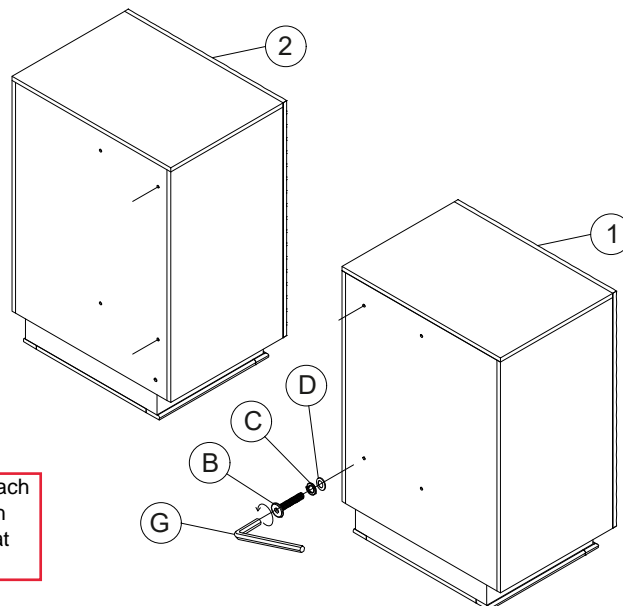
Part ② x1pc

Hardware ⑤ x4pcs

Hardware ⑥ x4pcs

Hardware ⑦ x4pcs

Hardware ⑧ x1pc



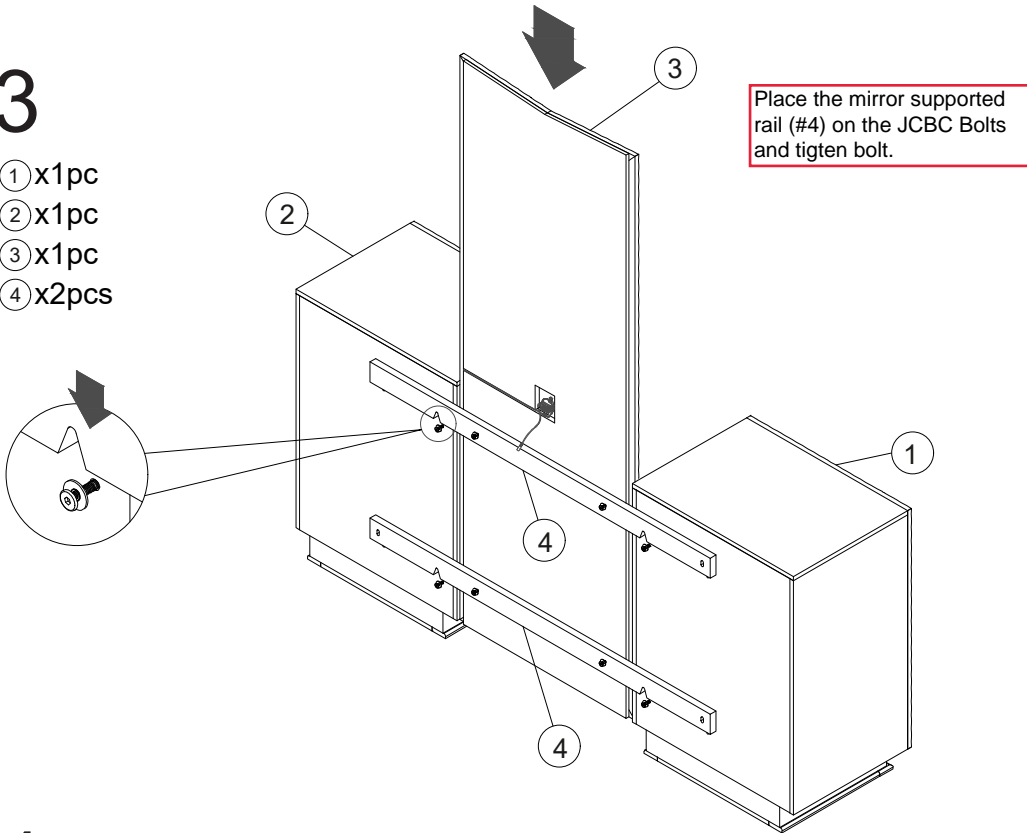
Use Allen Key (#G) to attach the JCBC Screw (#B) with Lock washer (#C) and Flat washer (#D).

Keep screw loose halfway-in at this step.

ASSEMBLY INSTRUCTIONS

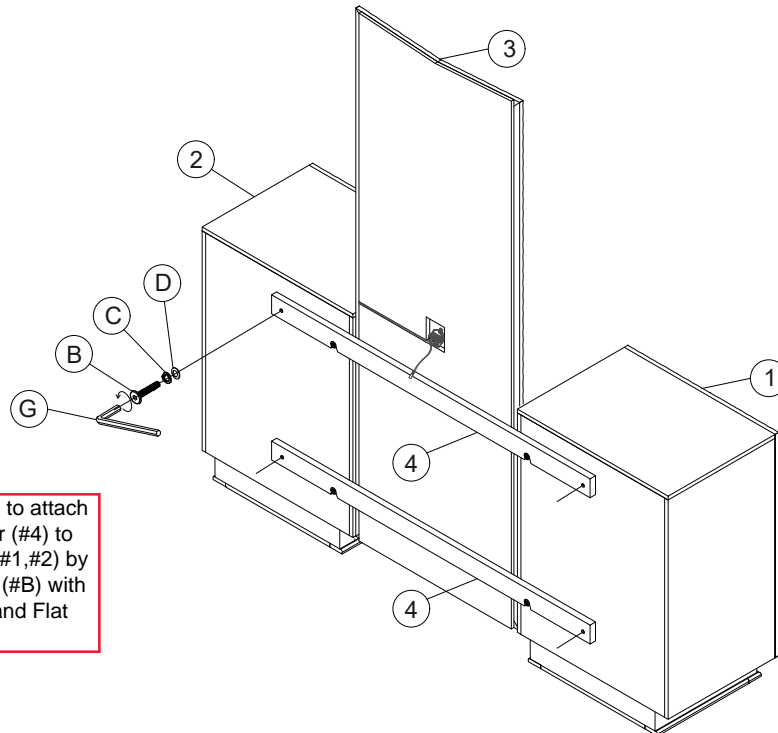
3

- Part ① x1pc
- Part ② x1pc
- Part ③ x1pc
- Part ④ x2pcs



4

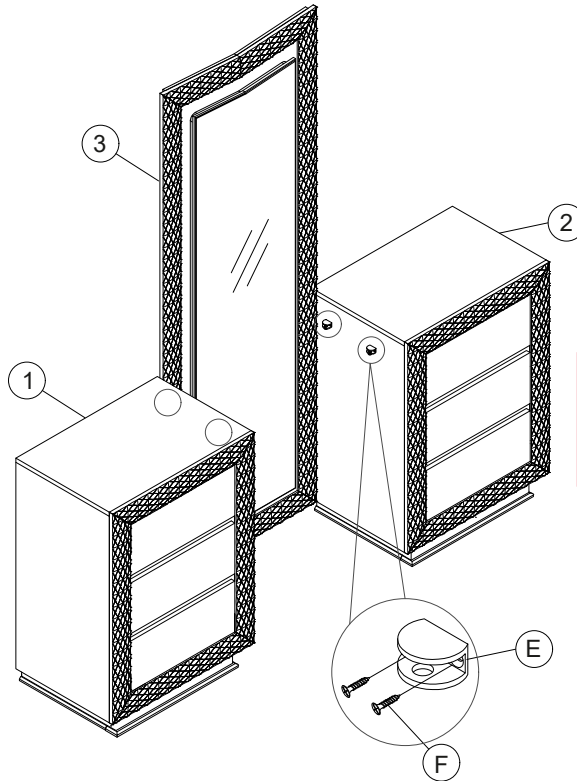
- Part ① x1pc
- Part ② x1pc
- Part ③ x1pc
- Part ④ x2pcs
- Hardware ⑥ x4pcs
- Hardware ⑦ x4pcs
- Hardware ⑧ x4pcs
- Hardware ⑨ x1pc



ASSEMBLY INSTRUCTIONS

5

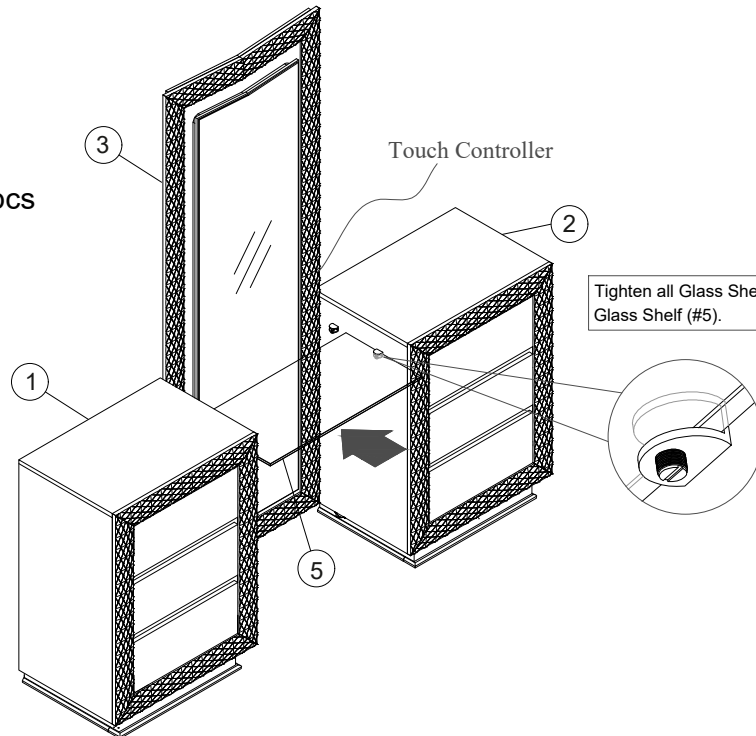
- Part ① x1pc
- Part ② x1pc
- Part ③ x1pc
- Hardware ⑤ x4pcs
- Hardware ⑥ x8pcs



Attach the Glass shelf clamp (#E) to Vanity Dresser left (#1) and Vanity Dresser Right (#2) by using CSK Screw (#F).

6

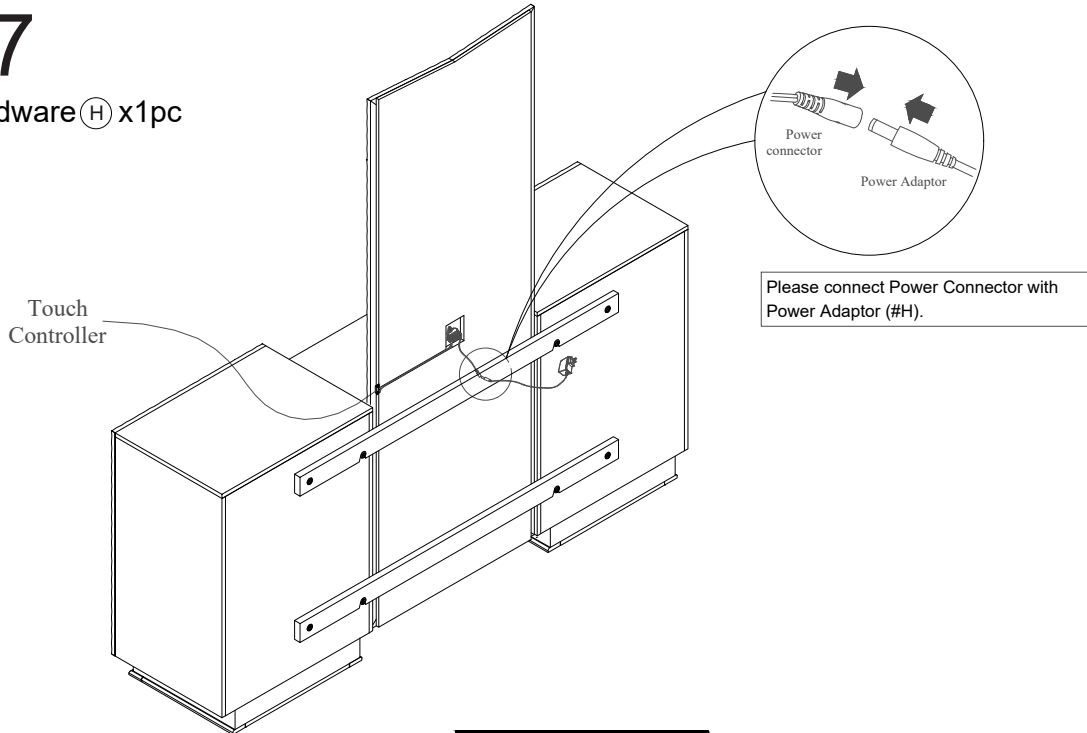
- Part ① x1pc
- Part ② x1pc
- Part ③ x1pc
- Part ⑤ x1pc
- Hardware ⑤ x4pcs



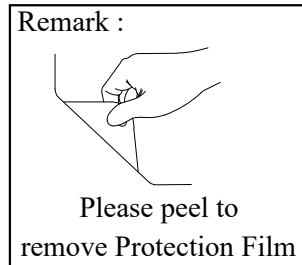
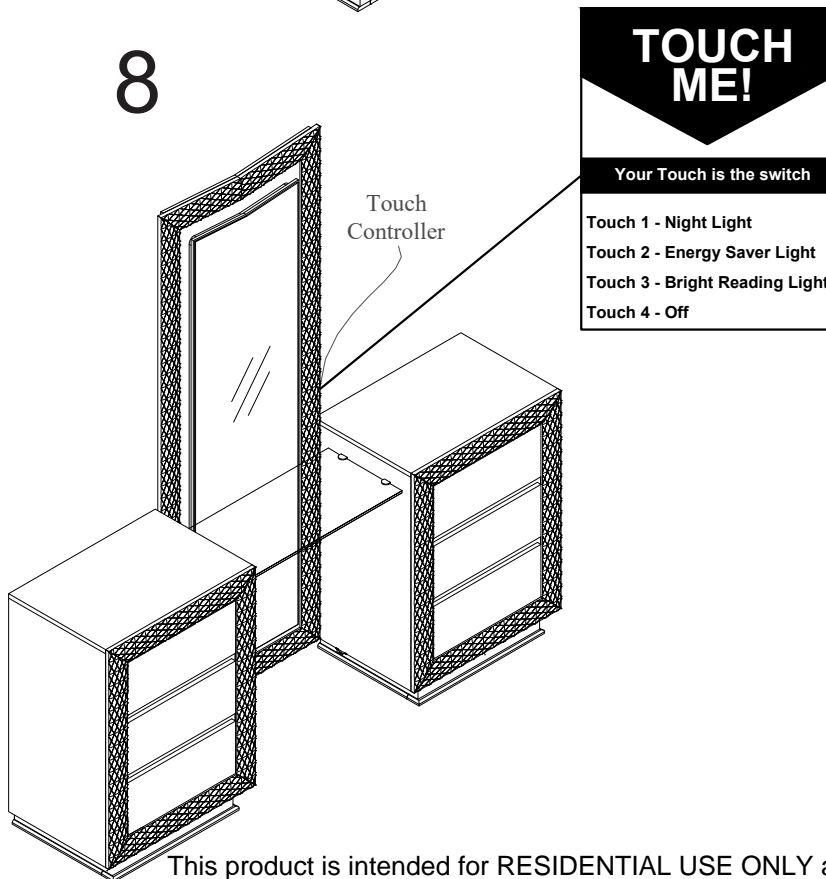
Tighten all Glass Shelf Clamp (#E) after installing Glass Shelf (#5).

ASSEMBLY INSTRUCTIONS

7 Hardware (H) x1pc



8



✓ **Keep this handy!**
Please retain this instruction manual and any order-related information for future reference.

✓ **Lift, don't drag!**
To avoid damage to product please always LIFT the product when transporting or adjusting the placement.

This product is intended for RESIDENTIAL USE ONLY and not for commercial use.