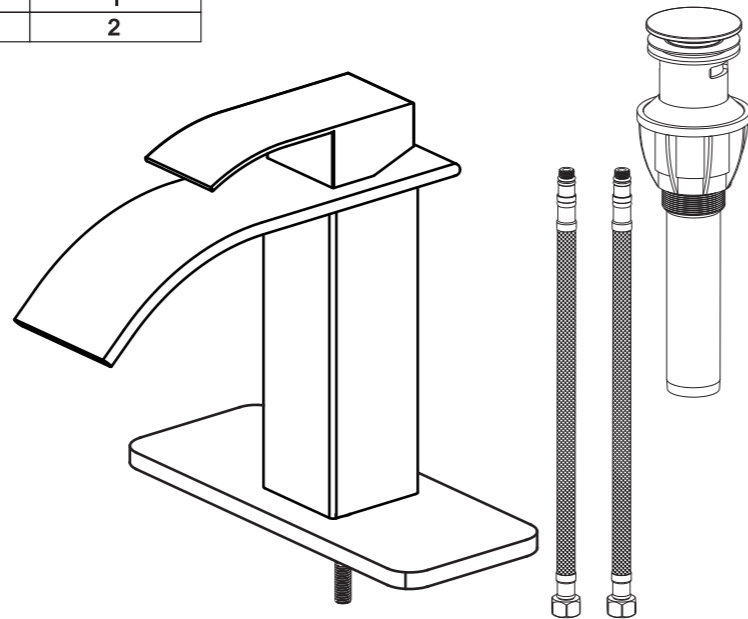


FRANSITON

PACKAGE AND HARDWARE CONTENTS

PART	DESCRIPTION	QUANTITY
A	Faucet body	1
B	Drainer	1
C	Drainer	2



SAFETY INFORMATION

Please read and understand this entire manual before attempting to assemble, operate or install the product

WARNING

Protect your eyes with safety glasses when cutting or soldering water supply lines.

PREPARATION

Before beginning assembly of product, make sure all parts are present. Compare parts with package contents list and hardware contents. If any part is missing or damaged, do not attempt to assemble the product.

Contact customer service for replacement parts.

Estimated Assembly Time: 30 minutes

Tools Required for Assembly (not included)
Adjustable Wrench, thread sealant tape, Silicone

CAUTION

If you solder the joints during installation, the seats, cartridges, and washers must be removed before using a flame or the warranty will be voided on these parts.

Cover the drain to avoid losing parts

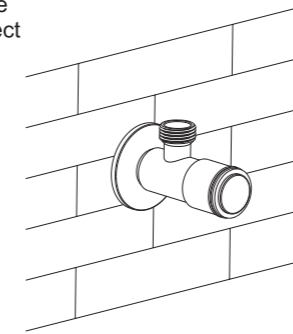
Installations may vary depending on how the previous faucet was installed. Supplies necessary for the installation of the faucet are not all included; however they are available wherever plumbing supplies are sold.

Prior to beginning installation, turn off the hot and cold water lines, then turn on the old faucet to release built-up pressure. When installing the new faucet, hand tighten the connector nuts. **DO NOT OVER TIGHTEN**. Connections that are too tight will reduce the integrity of the system

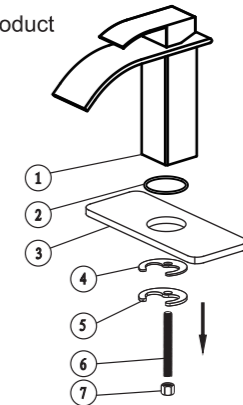
ASSEMBLY INSTRUCTIONS

1. Turn off water at the supply valve under the sink or at the main water supply, disconnect the supply line, and remove old faucet.

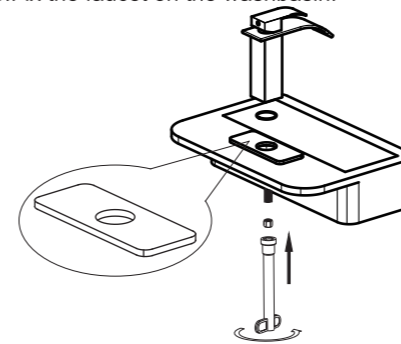
Clean and dry surface area where new faucet will be mounted.



2. Check the number of product accessories

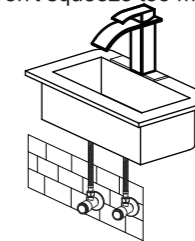


3. Fix the faucet on the washbasin.



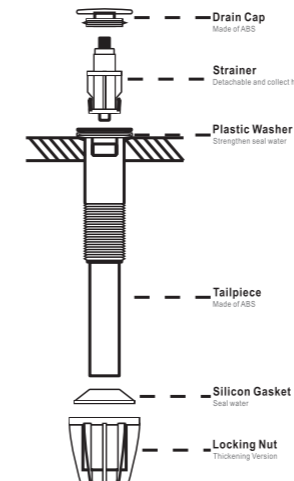
4. Connecting Water Supply Lines:

Make connections to water supply lines. Use 1/2" IPS tap connections. Or use nuts coupling with 9/16". Risers with OD spherical tip. Use keys to tighten the connections. Don't squeeze too much.



5. Spin the Silicon Gasket and Locking Nut down, leaving the strainer, plastic washer and tailpiece intact.

Insert trainer, plastic washer, tailpiece directly into the sink hole without modification. Use a thickened washer to avoid leak from below the basin, Note taper side upward. Screw locking nut onto drain body (wrench may need).



6. Checking for Leaks:

Remove the aerator (1) from the faucet body. Turn on the water supply, Turn the handles (1) and allow both hot and cold water to run for at least one minute each. While the water is running, check for leaks. Replace the aerator.

