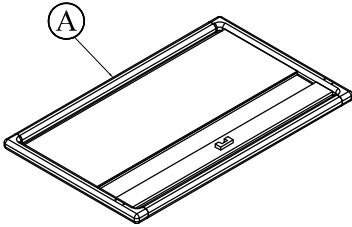


PLATFORM QUEEN / KING BED

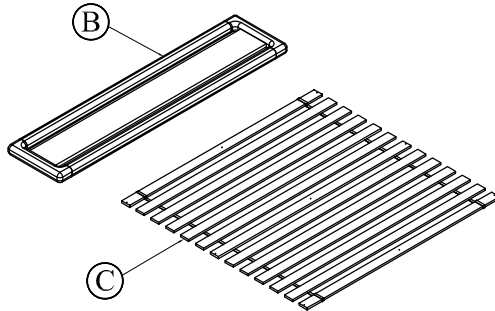
ASSEMBLY INSTRUCTIONS

PARTS AND FITTING PACKAGING DETAIL

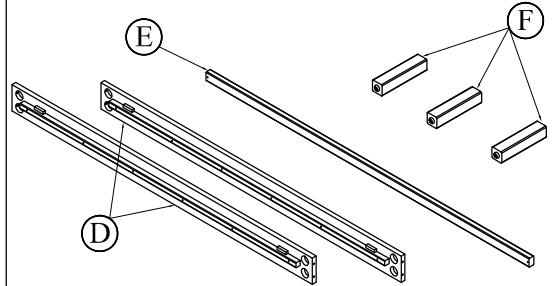
BOX #1
A. HEADBOARD 1 PC



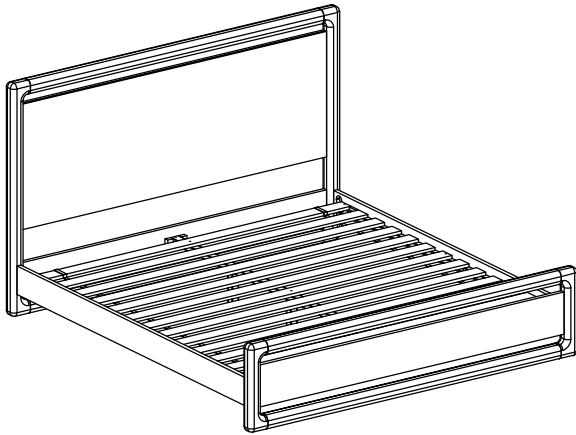
BOX #2
B. FOOTBOARD 1 PC
C. SLAT ROLL 1 SET



BOX #3
D. SIDE RAILS 2 PCS
E. CENTER SUPPORT 1 PC
F. SUPPORT LEG 3 PCS



FULLY ASSEMBLED

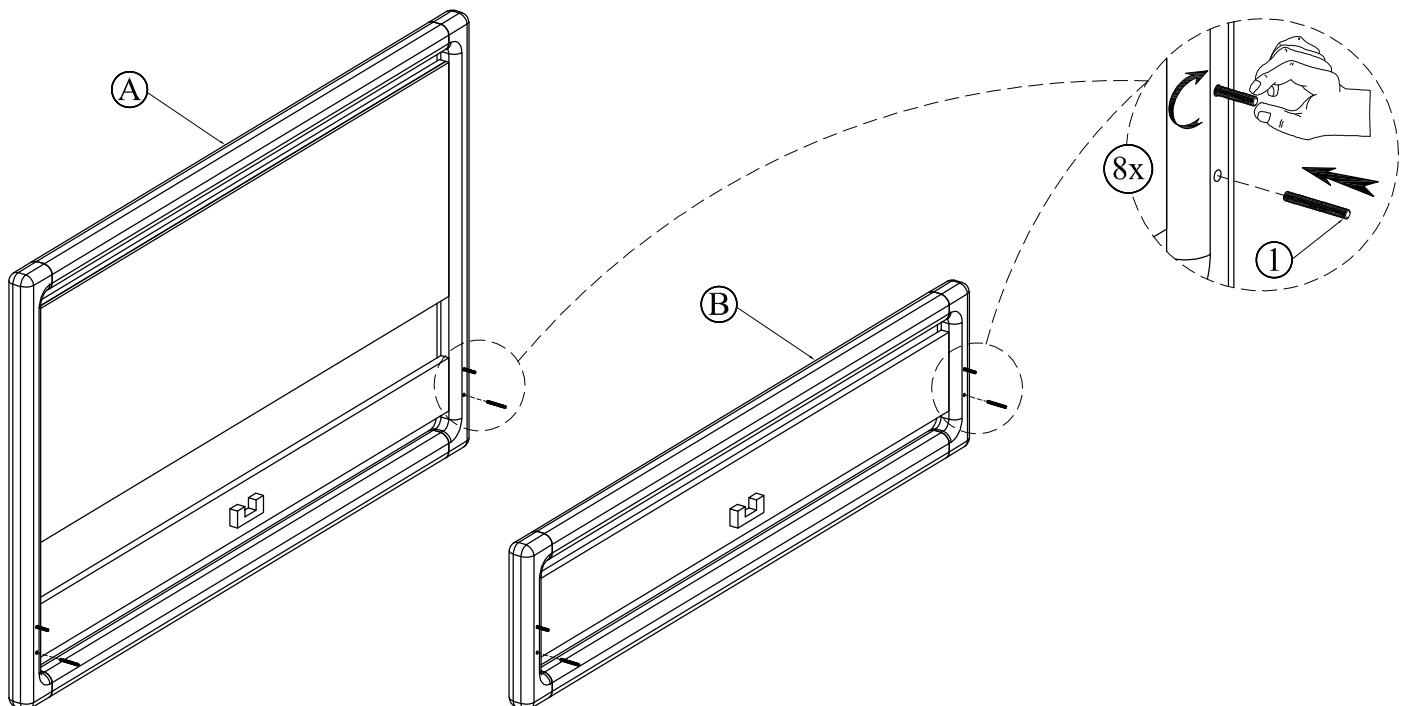


HARDWARE KIT PACKED IN BOX #2

1	THREADED BOLT (8x60mm)		8 PCS
2	ARC WASHER (2x14x26mm)		8 PCS
3	LOCK WASHER (M10)		8 PCS
4	HEX NUT (M8)		8 PCS
5	WRENCH		1 PC
6	WOOD SCREW (4x35mm)		2 PCS
7	WOOD SCREW (4x25mm)		9 PCS
8	ALLEN KEY		1 PC



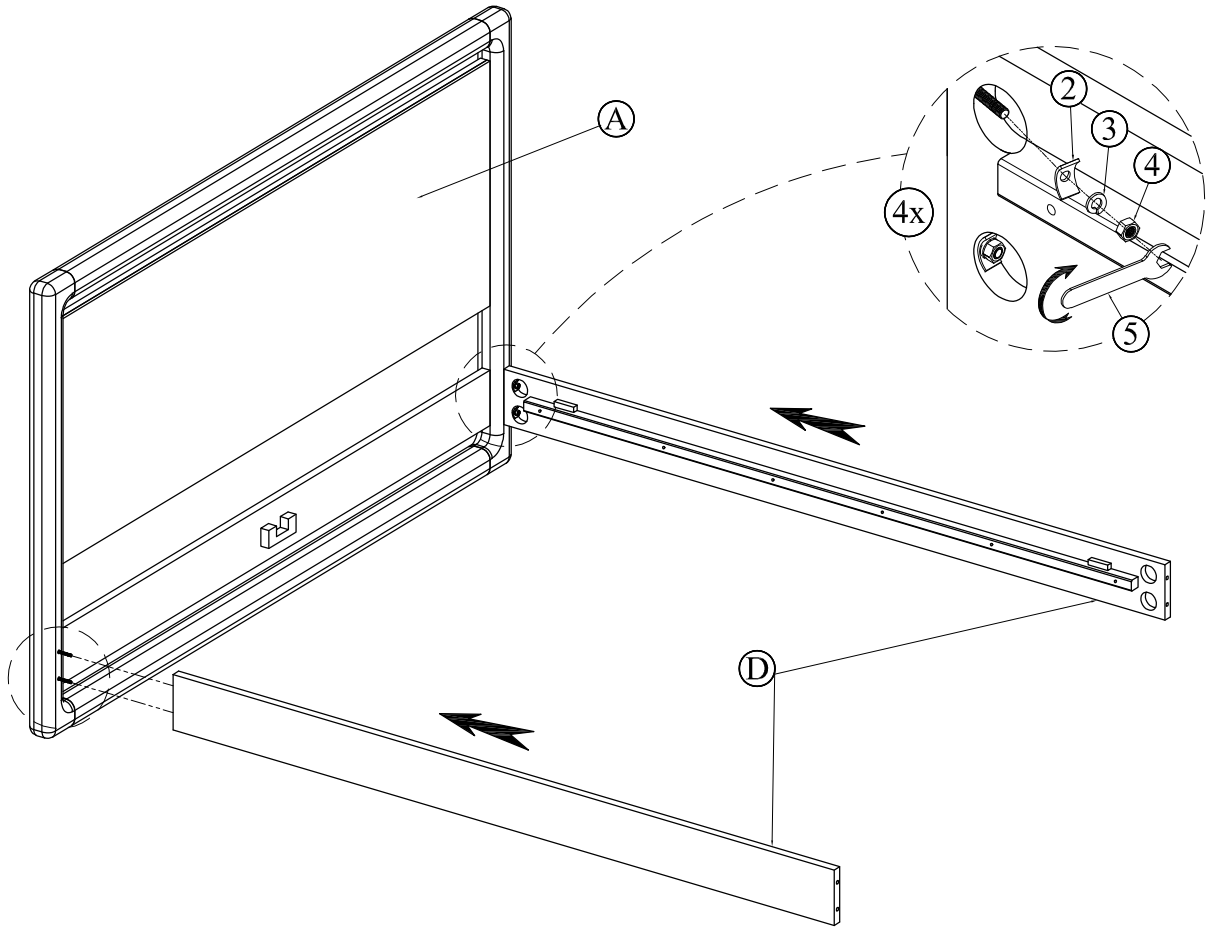
STEP 1



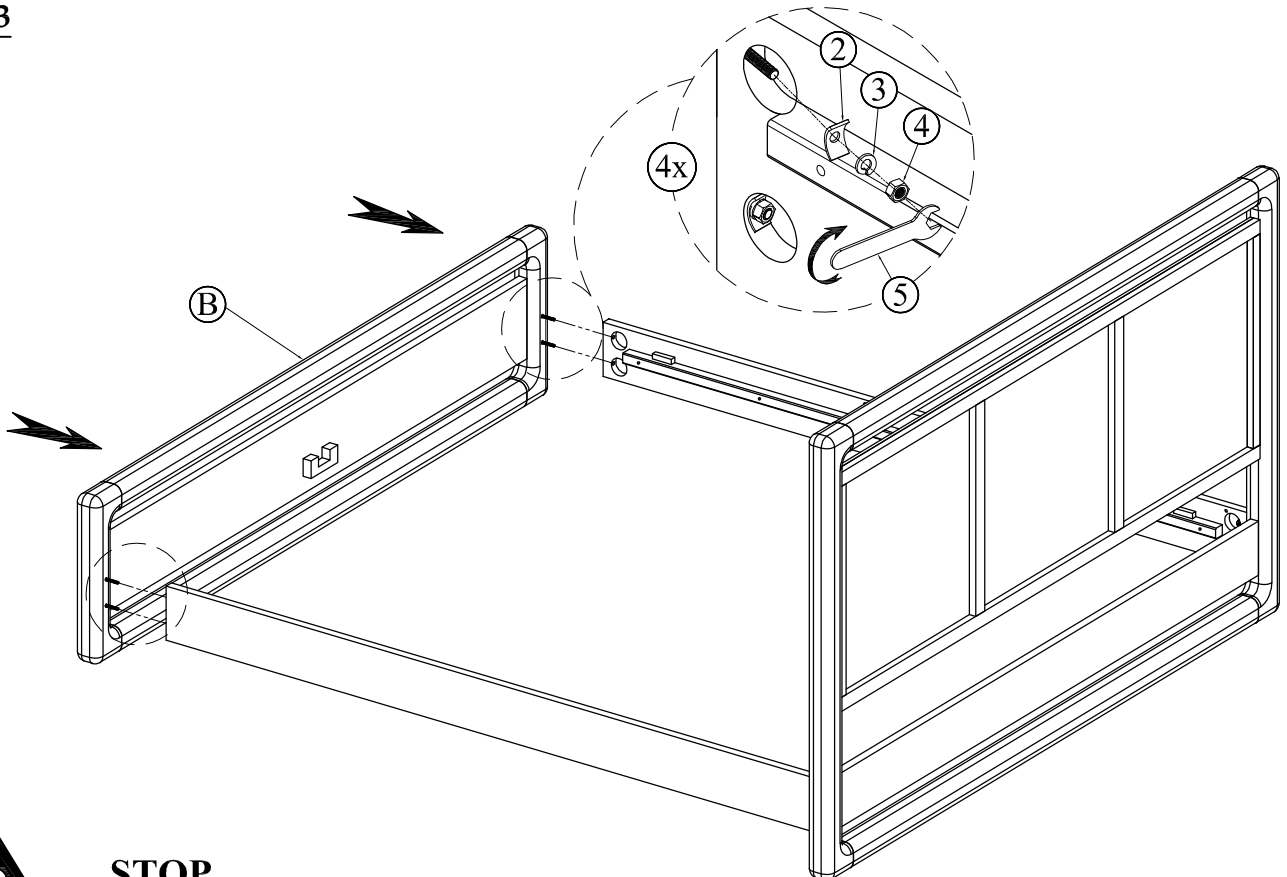
PLATFORM QUEEN / KING BED

ASSEMBLY INSTRUCTIONS

STEP 2



STEP 3



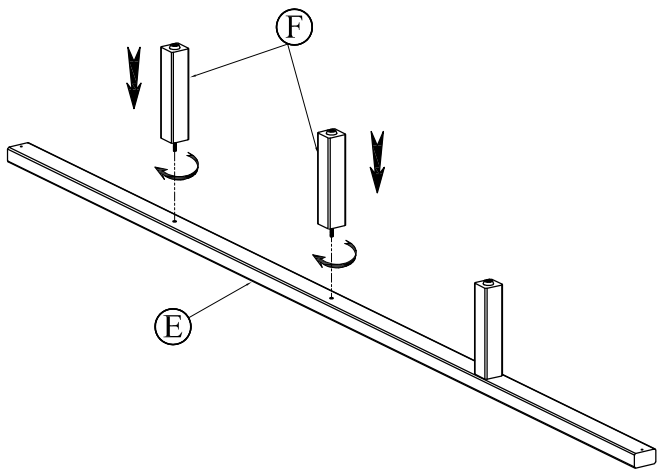
STOP

- IF USING BED WITH AN ADJUSTABLE MATTRESS BASE, SKIP STEPS 4, 5 & 6 AND REFERENCE APPENDIX A: ADJUSTABLE MATTRESS BASE ASSEMBLY SUPPLEMENT.
- IF USING BED FRAME WITH STANDARD BOX SPRING OR FOUNDATION, CONTINUE TO STEP 4

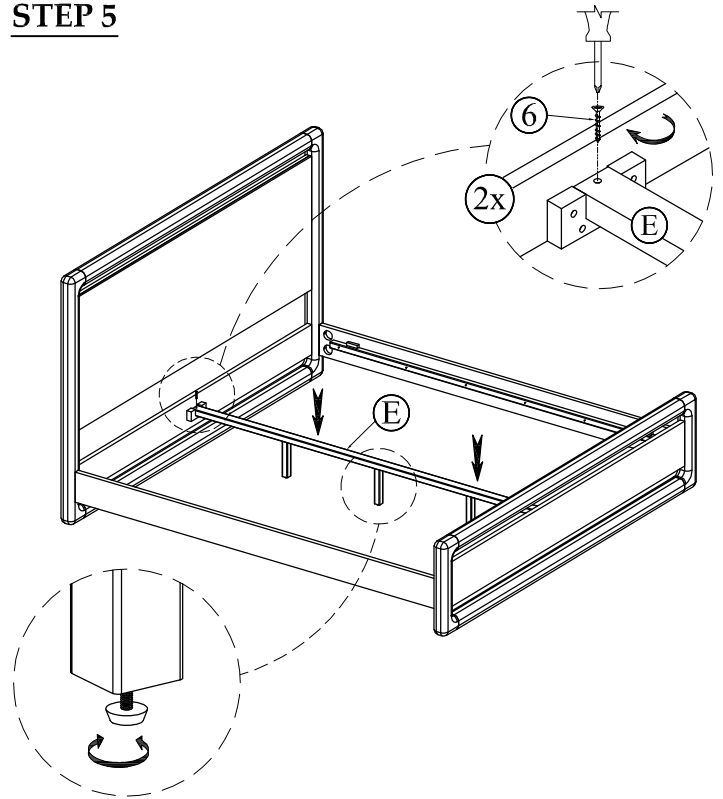
PLATFORM QUEEN / KING BED

ASSEMBLY INSTRUCTIONS

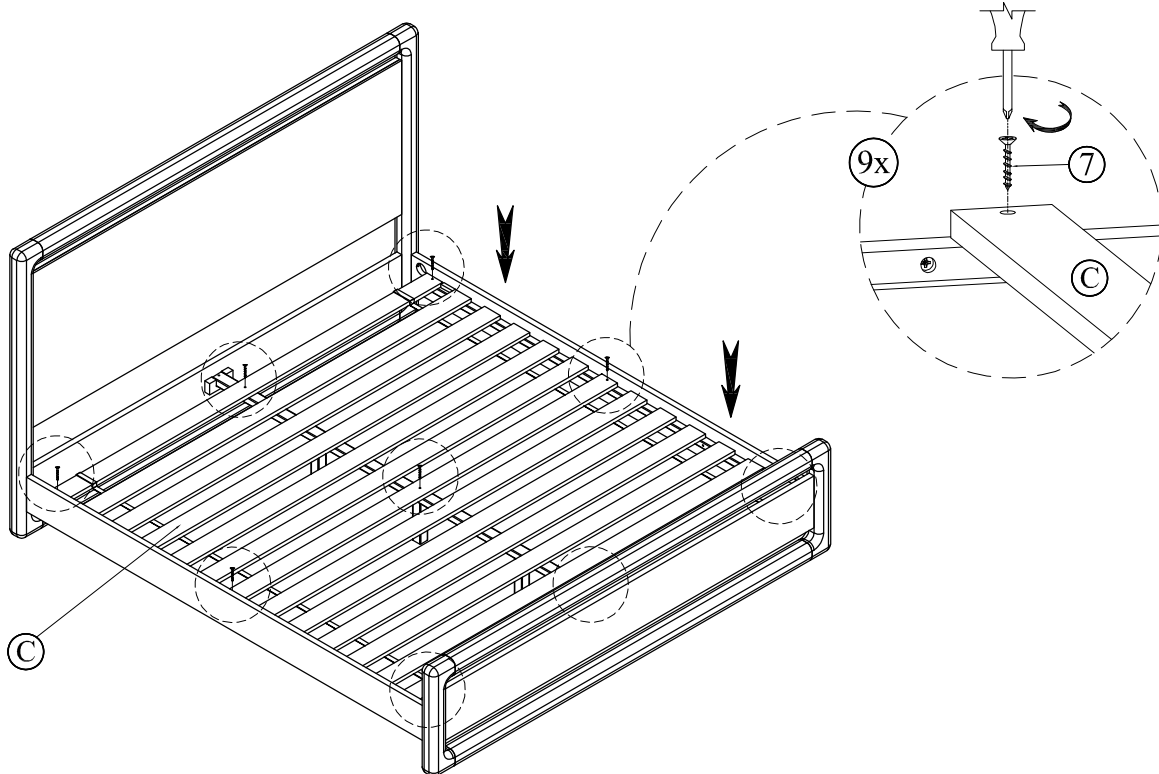
STEP 4



STEP 5



STEP 6

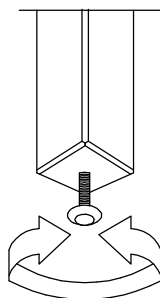


INSTRUCTIONS FOR ADJUSTING LEVELERS:

Position the bed in your space and locate the leveler under each leg support (F).

Turn the leveler counter-clockwise to extend and clockwise to retract it.

Adjust each leveler until each leg support is applying equal, upward pressure on the center slat.



MAINTENANCE INSTRUCTIONS:

- Periodically check all fittings and tighten if necessary, as they can loosen over time.
- Always remove box spring and mattress before moving the bed.
- Lift the bed when moving it. Dragging the bed can damage the center support.
- Readjust levelers after moving the bed.

PLATFORM QUEEN / KING BED

ASSEMBLY INSTRUCTIONS

APPENDIX A: ADJUSTABLE MATTRESS BASE ASSEMBLY SUPPLEMENT

AN ADJUSTABLE MATTRESS BASE IS A FREESTANDING MATTRESS SUPPORT THAT SITS WITHIN THE PERIMETER OF THE BED FRAME. IF USING THIS BED FRAME WITH A STANDARD BOX SPRING OR FOUNDATION THESE INSTRUCTIONS DO NOT APPLY.

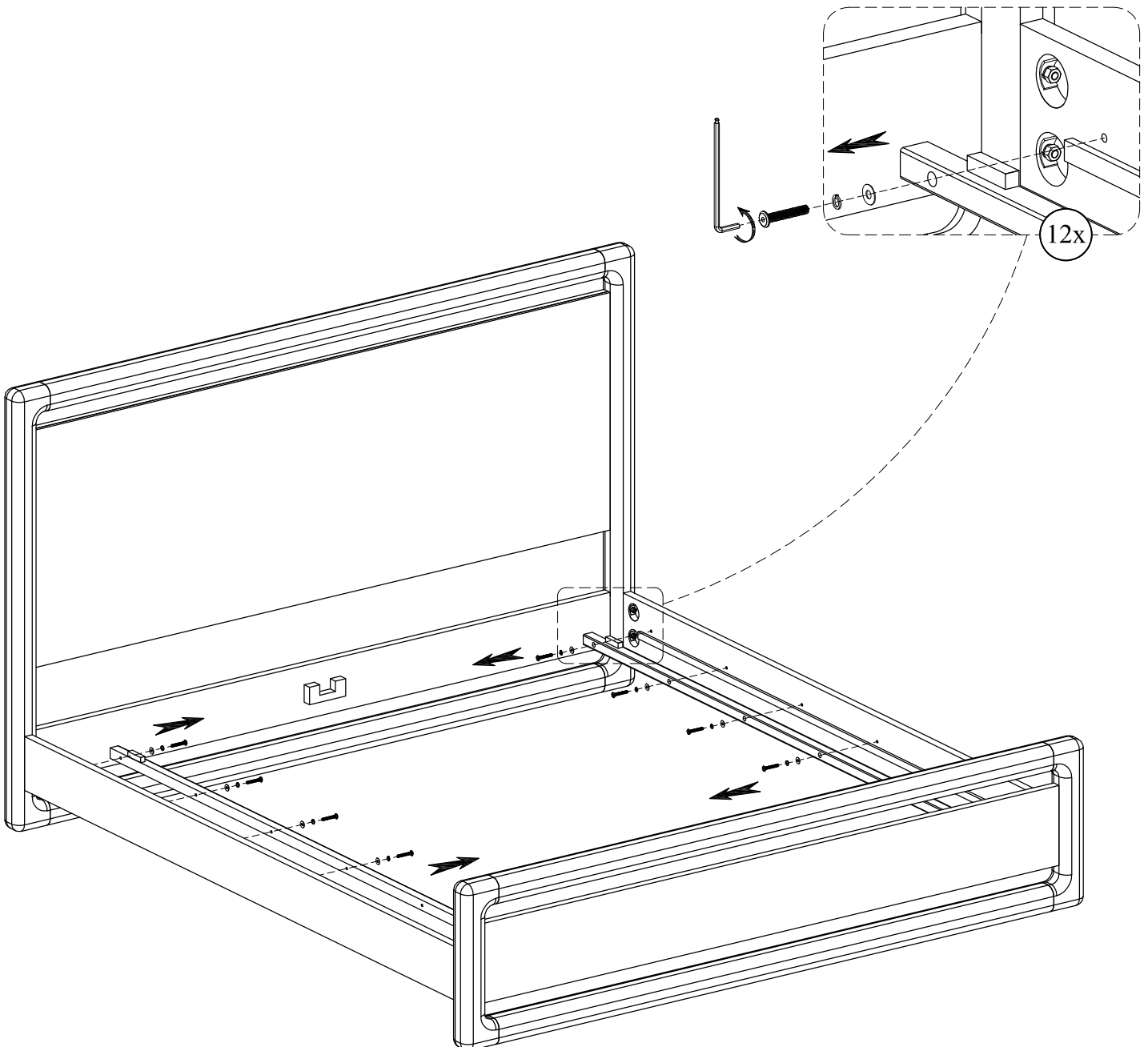
PRE-ASSEMBLED SIDE RAIL CLEATS OBSTRUCT ADJUSTABLE BASE INSTALLATION AND OPERATION. FOLLOW THESE INSTRUCTIONS TO REMOVE THEM.

THE FOLLOWING PARTS ARE NOT REQUIRED FOR ADJUSTABLE MATTRESS BASE INSTALLATION:

C. SLAT ROLL	: 1SET	*WOOD SCREW (4x35mm)	: 2PCS
E. CENTER SUPPORT	: 1PC	*WOOD SCREW (4x25mm)	: 9PCS
F. SUPPORT LEG	: 3PCS		

STEP #1:

USE ALLEN KEY (8) TO UNSCREW ALLEN BOLTS AND REMOVE PRE-ASSEMBLED SIDE RAIL CLEATS.



NOTE: YOU MAY WISH TO RETAIN UNUSED PARTS IF IN THE FUTURE YOU INTEND TO USE THE BED FRAME WITH A STANDARD BOX SPRING OR FOUNDATION.