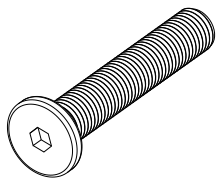
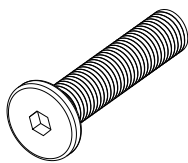


A x 4



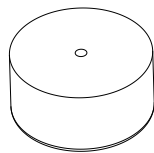
M8 x 70 mm

B x 11



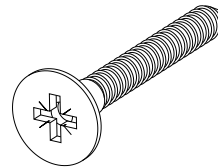
M8 x 50 mm

C x 4



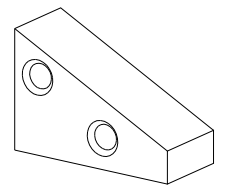
Ø50 x 30 mm

D x 4



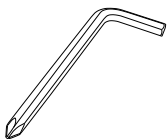
Ø5 x 30mm

E x 2



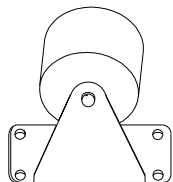
35 x 15x 24mm

F x 1



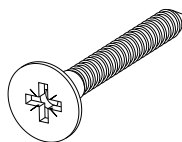
5mm

G x 4



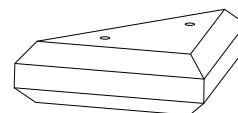
Ø40 x 50mm

H x 16



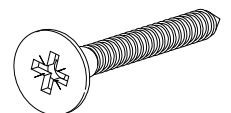
Ø4 x 20 mm

J x 4



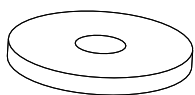
105 x 105 x 35 mm

K x 12



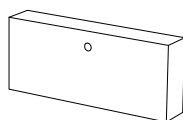
Ø5 x 35 mm

L x 15



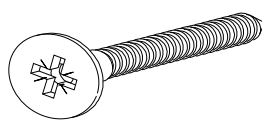
Ø30 x 1.5 mm

M x 1



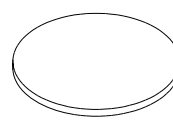
100 x 45 x 25 mm

N x 2




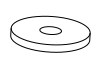

Ø4 x 60 mm

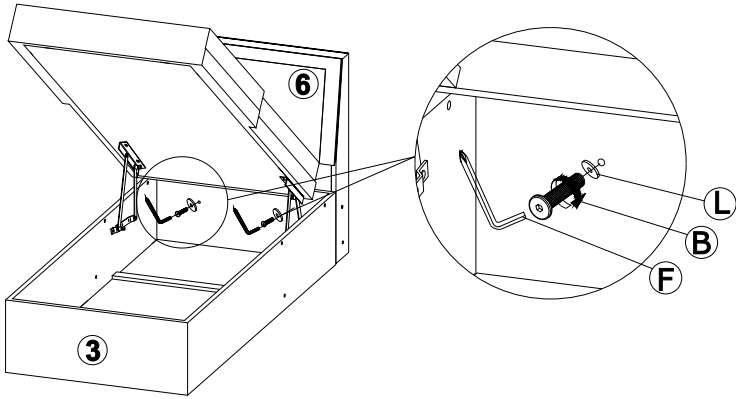
O x 4




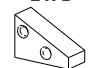

Ø 20x 3mm

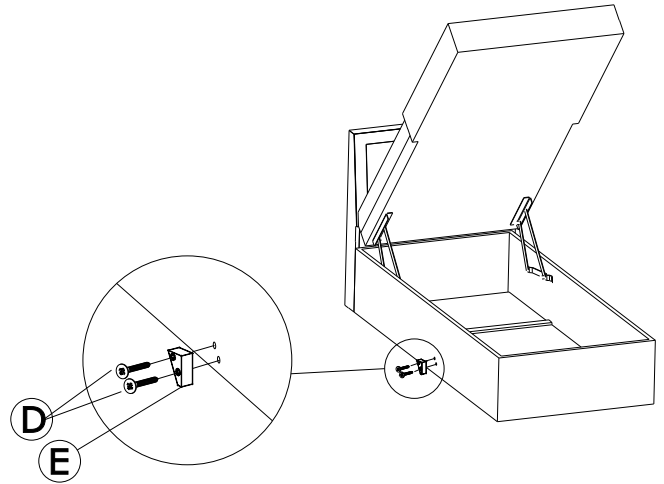
Step 1

B x 2  M8 x 50 mm	L x 2  Ø30 x 1.5 mm	F x 1  5 mm
--	--	--


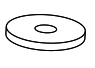



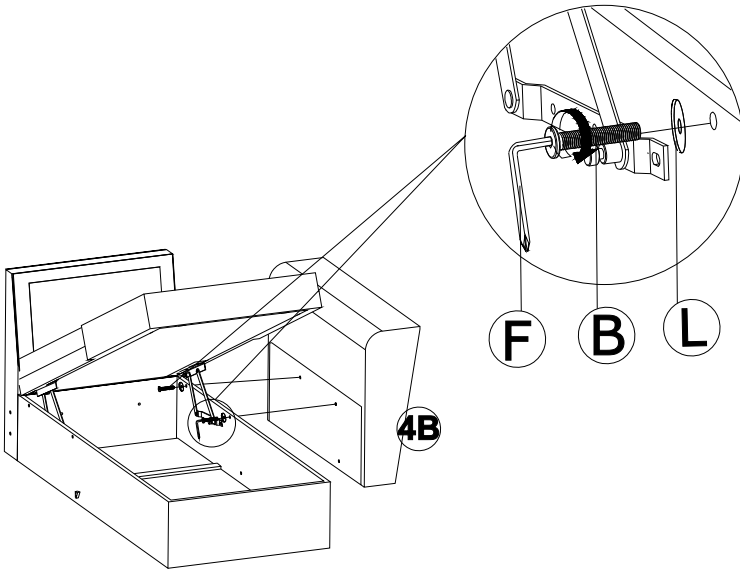
Step 2

D x 2  Ø5 x 30 mm	E x 1  35x15x24mm	F x 1  5 mm
--	--	--






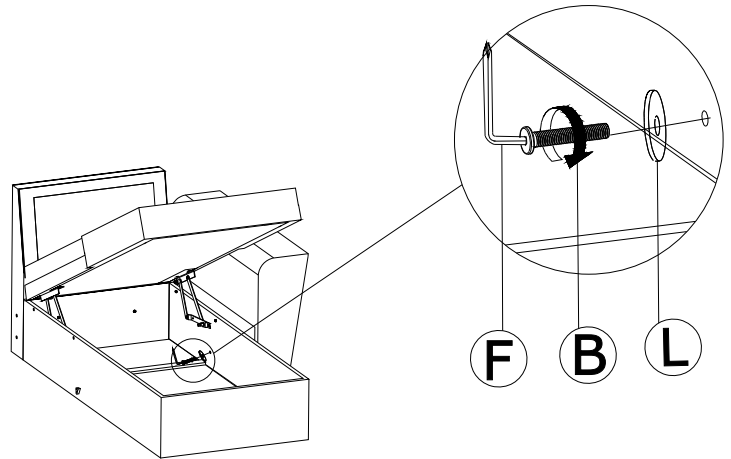
Step 3

B x 2  M8 x 50 mm	L x 2  Ø30 x 1.5 mm	F x 1  5 mm
---	---	---






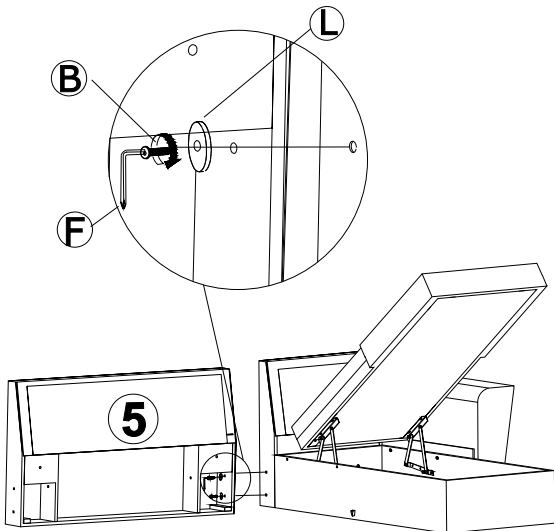
Step 4

B x 1  M8 x 50 mm	L x 1  Ø30 x 1.5 mm	F x 1  5 mm
---	---	---


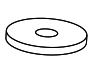



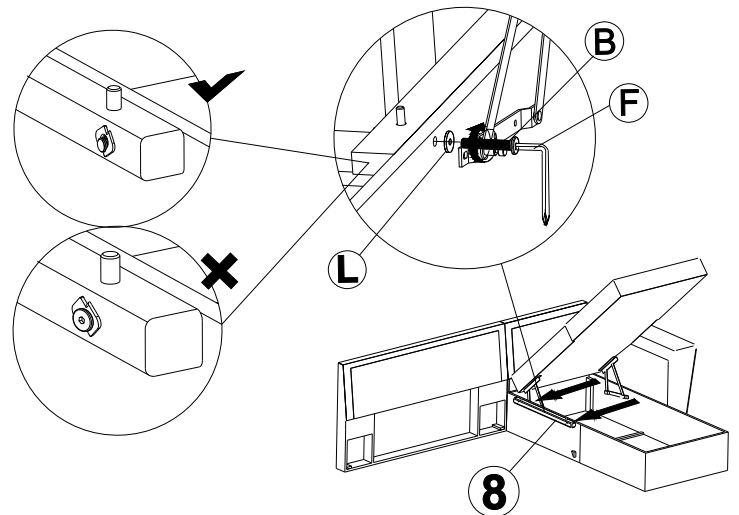
Step 5

B x 1  M8 x 50 mm	L x 1  Ø30 x 1.5 mm	F x 1  5 mm
---	---	---

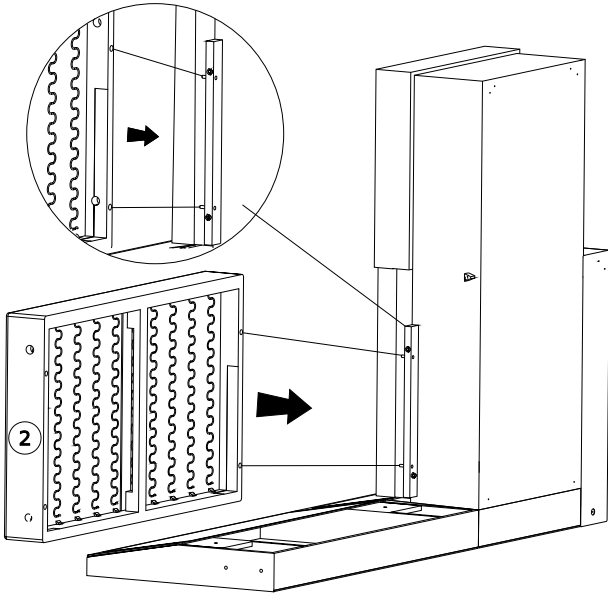


Step 6




B x 2  M8 x 50 mm	L x 2  Ø30 x 1.5 mm	F x 1  5 mm
---	---	---

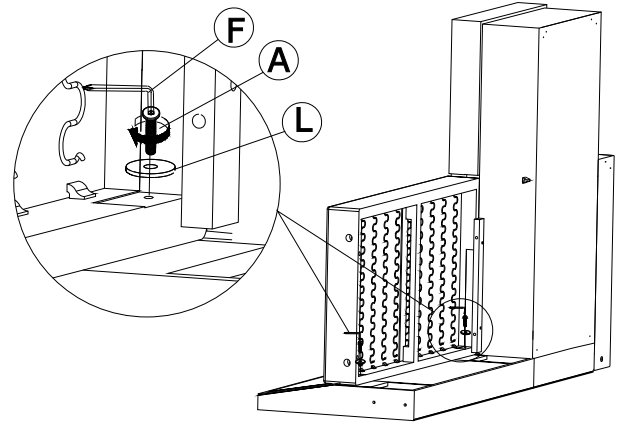


Step 7


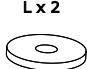



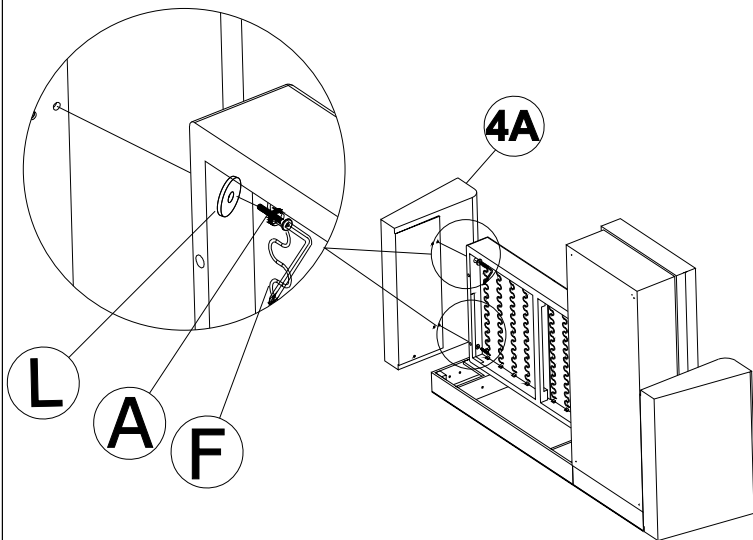
Step 8

A x 2	L x 2	F x 1
		
M8 x 70 mm	Ø30 x 1.5 mm	5 mm


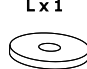



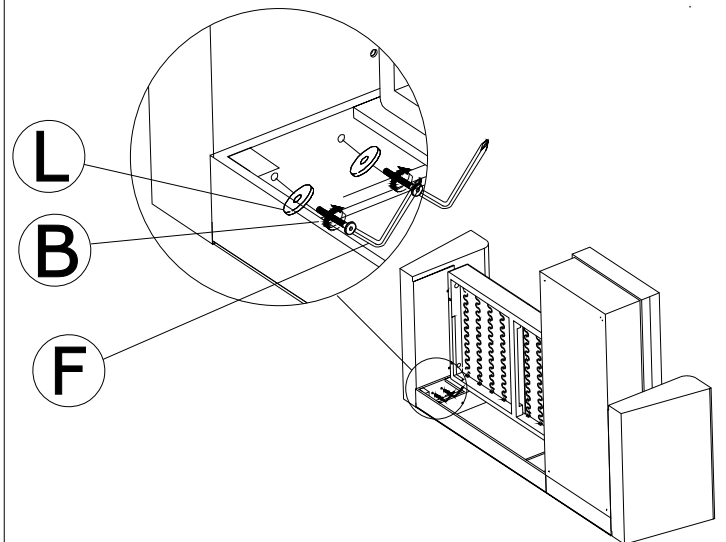
Step 9

A x 2	L x 2	F x 1
		
M8 x 70 mm	Ø30 x 1.5 mm	5 mm






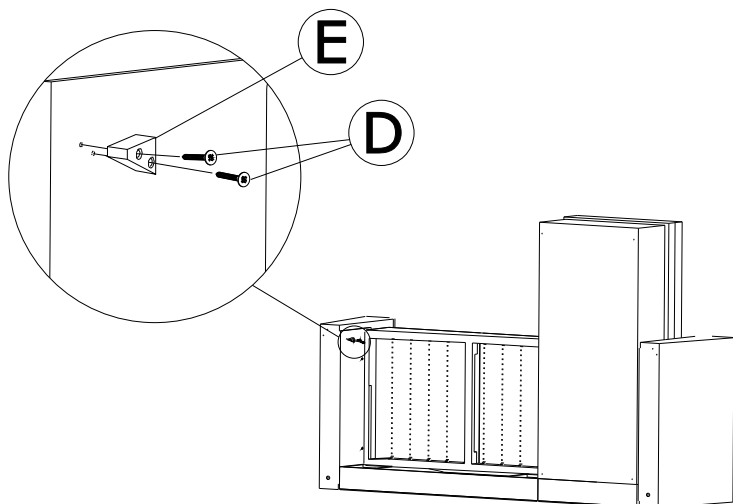
Step 10

B x 2	L x 1	F x 1
		
M8 x 50 mm	Ø30 x 1.5 mm	5 mm

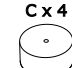
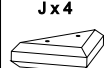




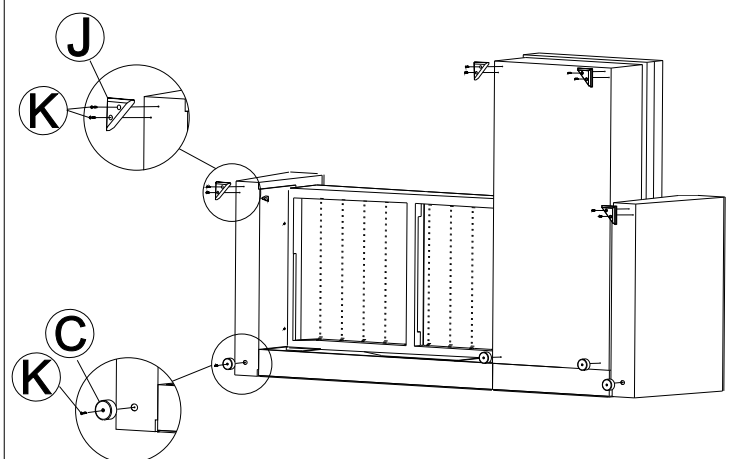
Step 11

D x 2	E x 1	F x 1
		
Ø5x 3 0mm	35x24x15 mm	5 mm

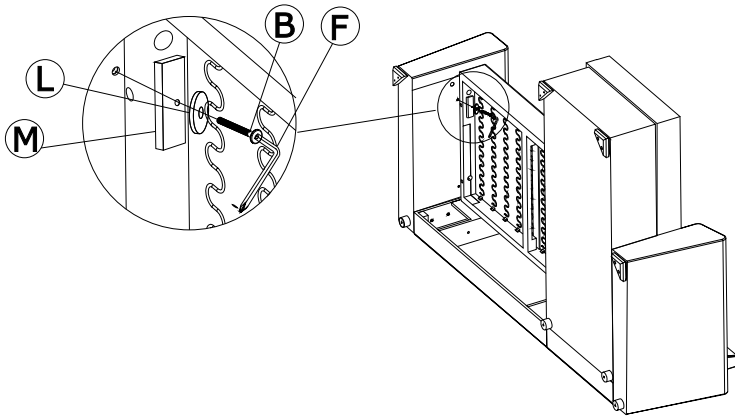
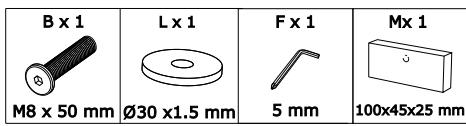


Step 12

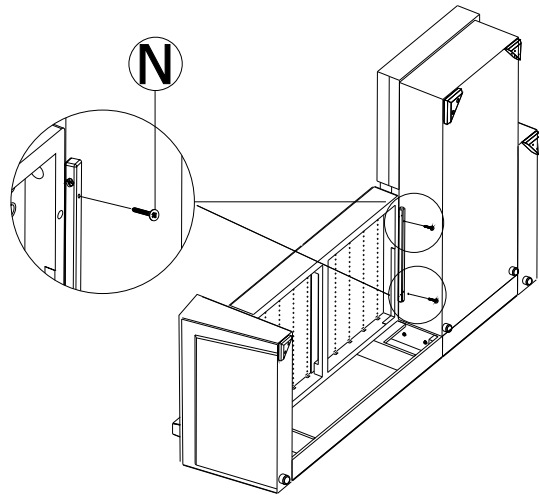
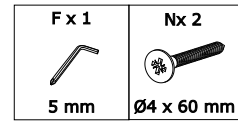
C x 4	J x 4	K x 12	F x 1
			
Ø50x 3 5 mm	105x105x35mm	Ø5 x 35 mm	5 mm



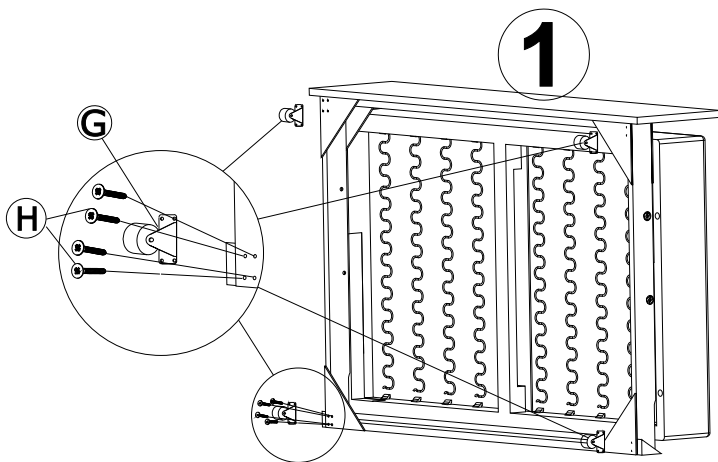
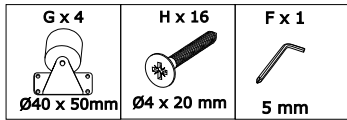
Step 13



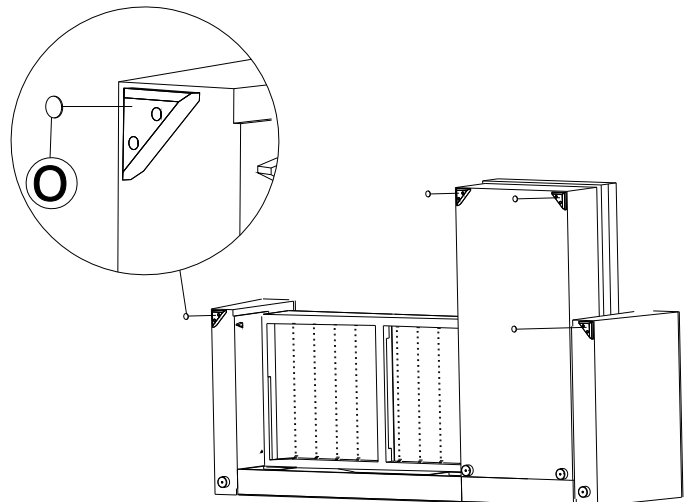
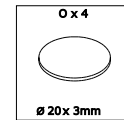
Step 14



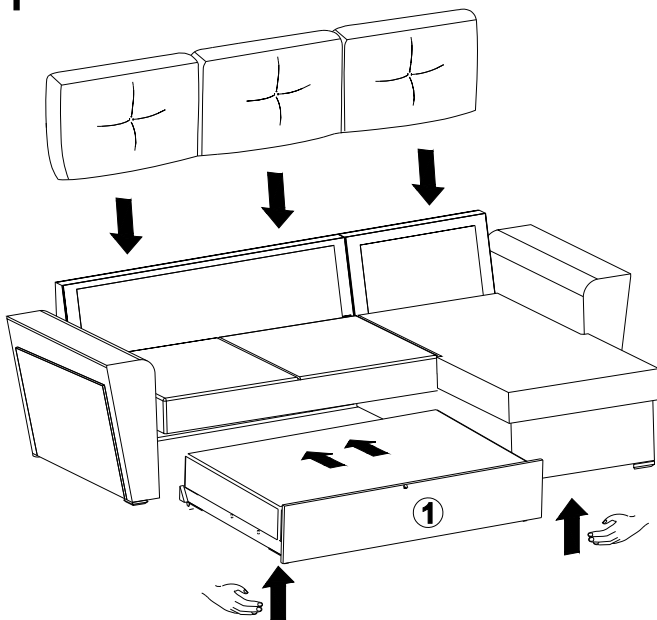
Step 15



Step 16



Step 17



Step 18

