












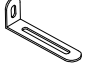

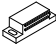


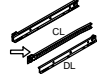
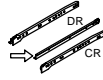
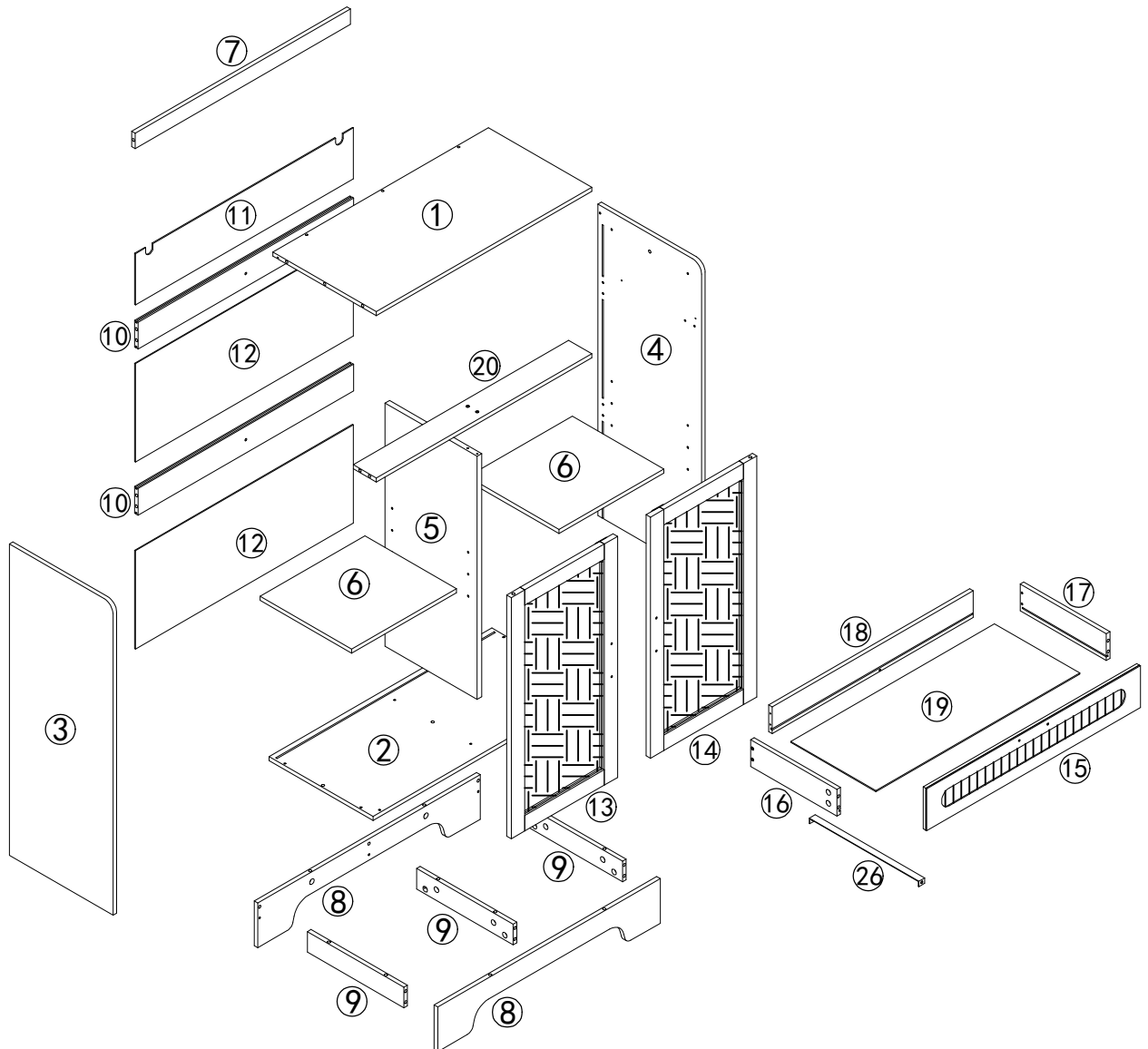
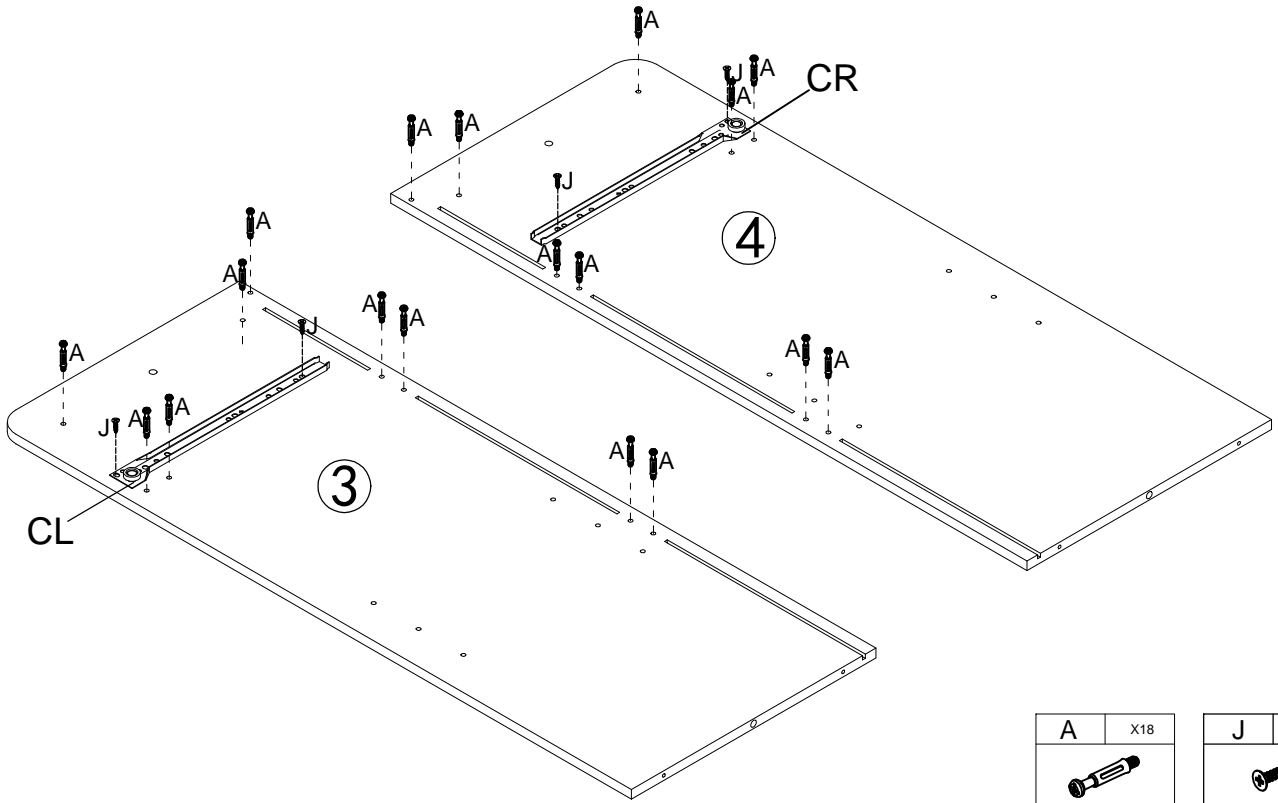
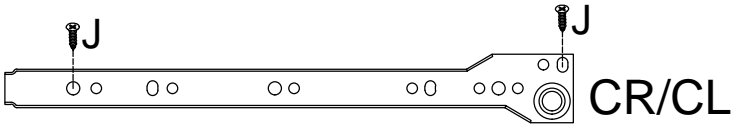



# Assembly Instruction


<b>A</b>	X38	<b>B</b>	X38	<b>C</b>	X6	<b>D</b>	X14	<b>E</b>	X1	<b>F</b>	X13	<b>G</b>	X5
													
M6x35mm		Ø15x9mm				M3x14mm		4mm		M5x40mm		Ø8x30mm	
<b>H</b>	X6	<b>I</b>	X3	<b>J</b>	X10	<b>K</b>	X6	<b>M</b>	X2	<b>N</b>	X2	<b>O</b>	X2
													
M4x18mm				M3x12mm		M4x35mm		M4x14mm		Ø6x30mm			
<b>P</b>	X8	<b>Q</b>	X2	<b>S</b>	X4	<b>T</b>	X2	<b>L</b>	X1	<b>R</b>	X1		
													
								CL DL		DR CR			



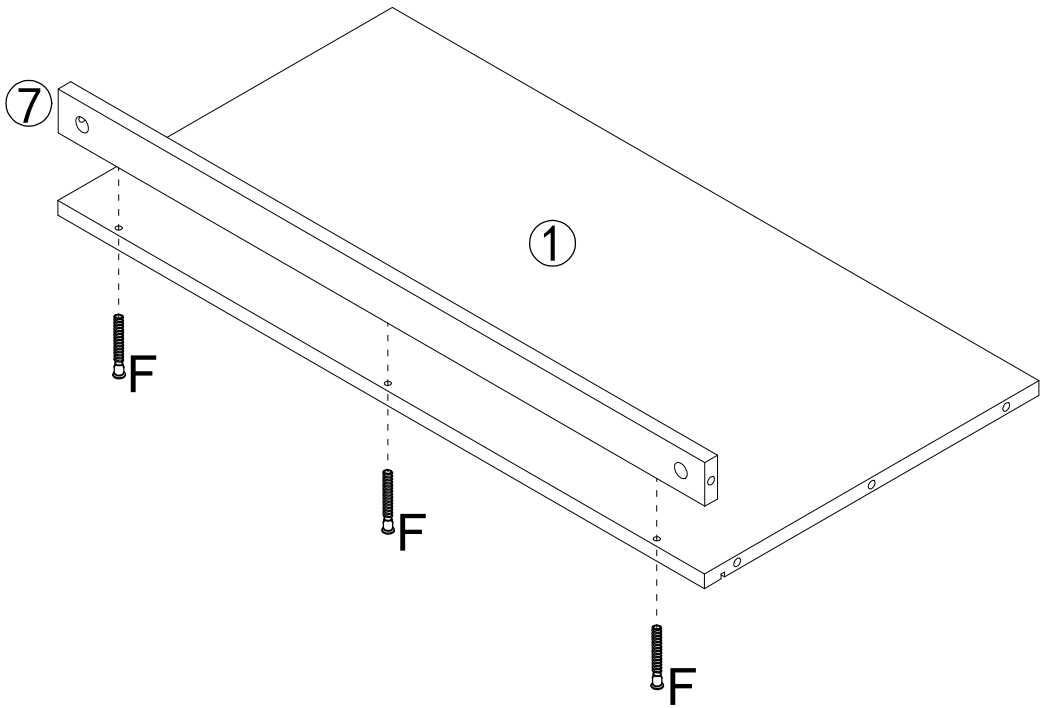
1




A	X18
	
M6x35mm	

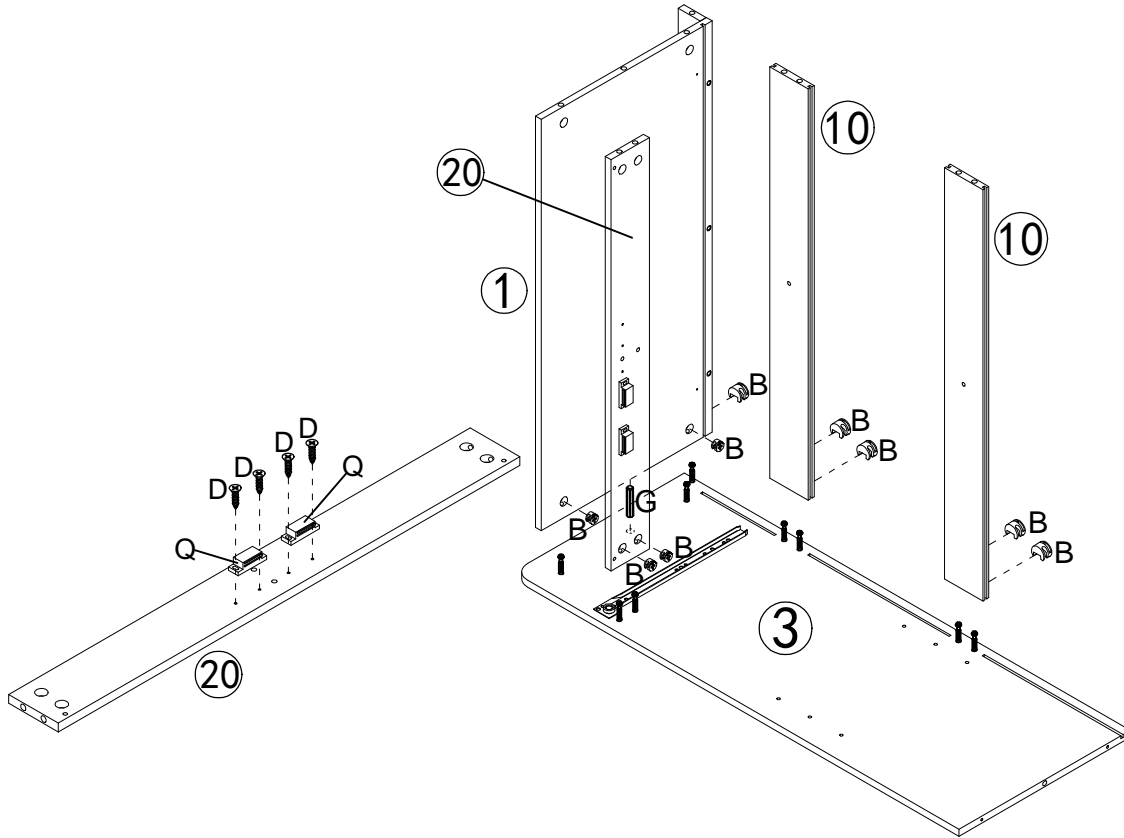
J	X4
	
M3x14mm	





2



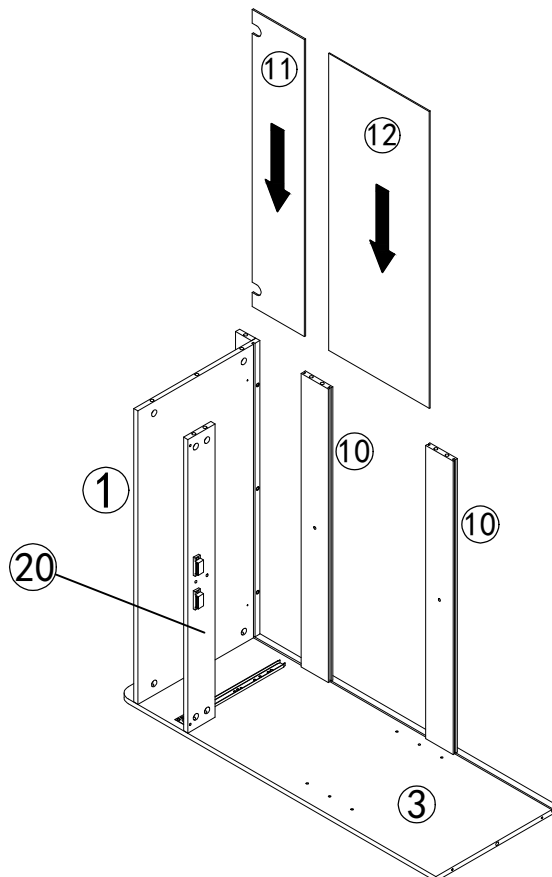
F	X3
	
M5x40mm	

3

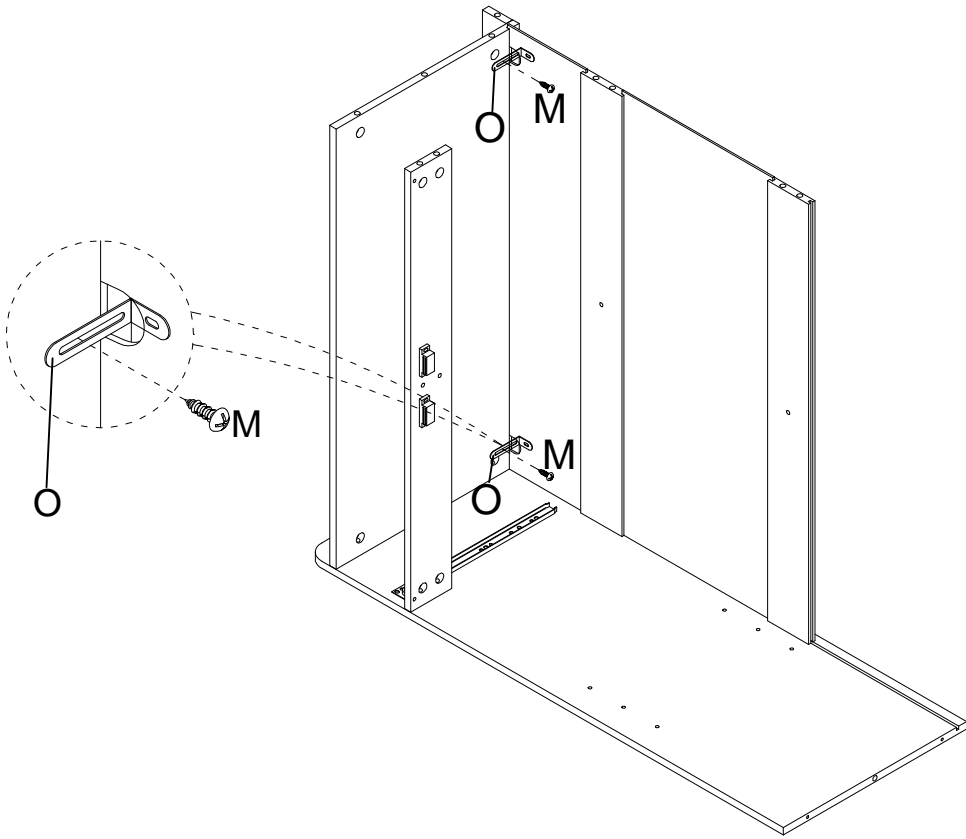




D	X4	Q	X2	G	X1	B	X9
							
M3x14mm				Ø8x30mm		Ø15x9mm	

4

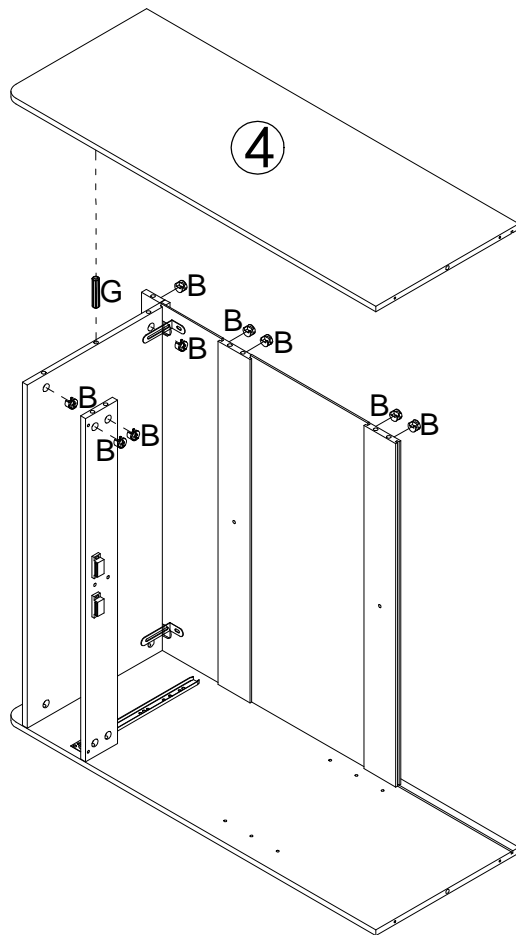




5



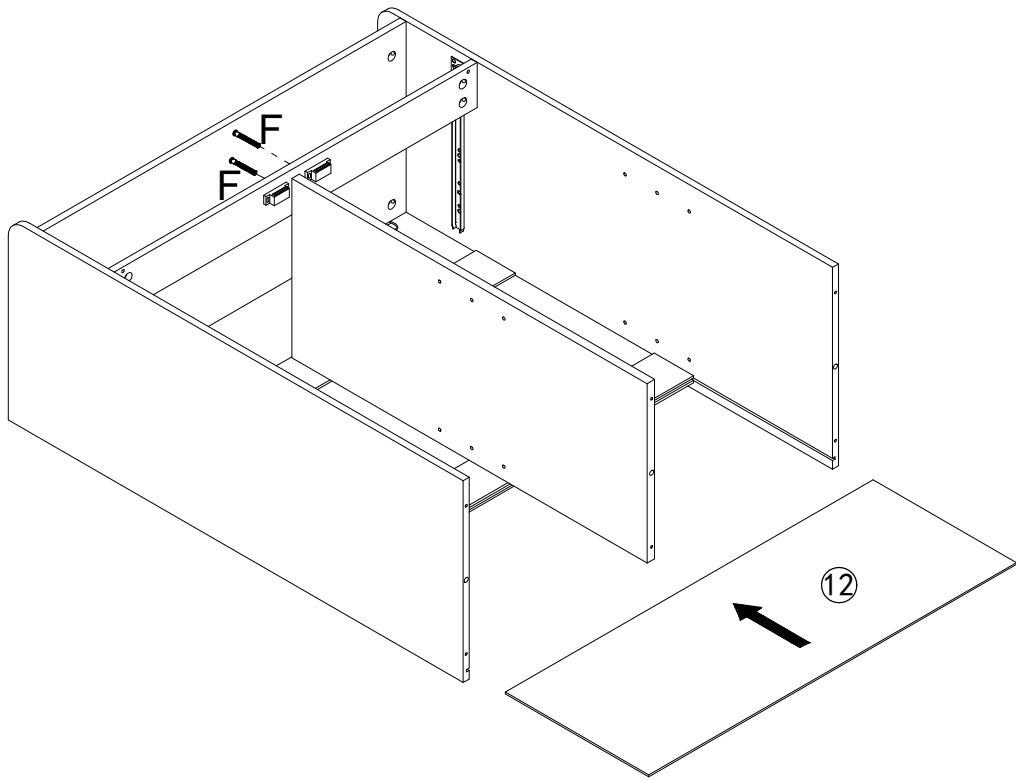
O	X2	M	X2
			
		M4x14mm	


6



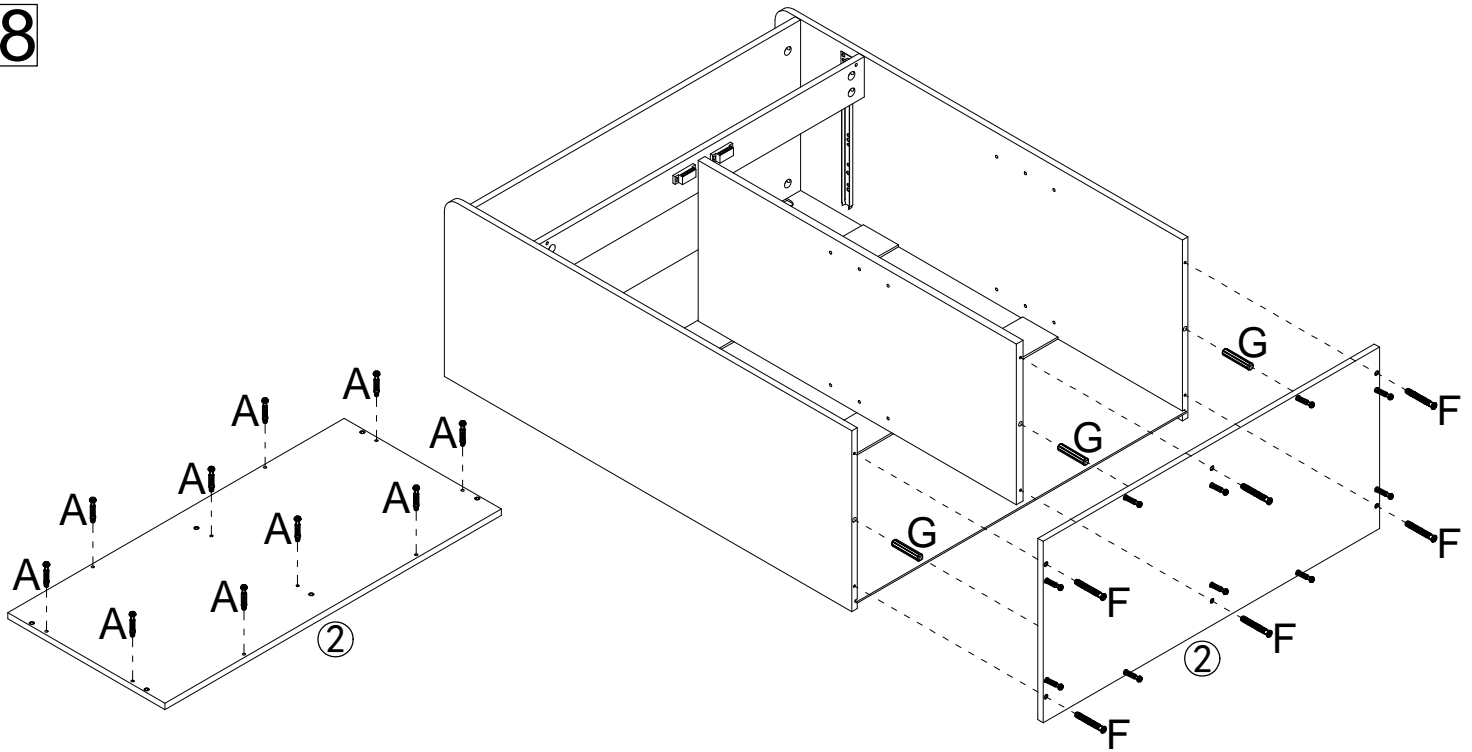
G	X1	B	X9
			
Ø8x30mm		Ø15x9mm	


7





F	x2
	
M5x40mm	

8

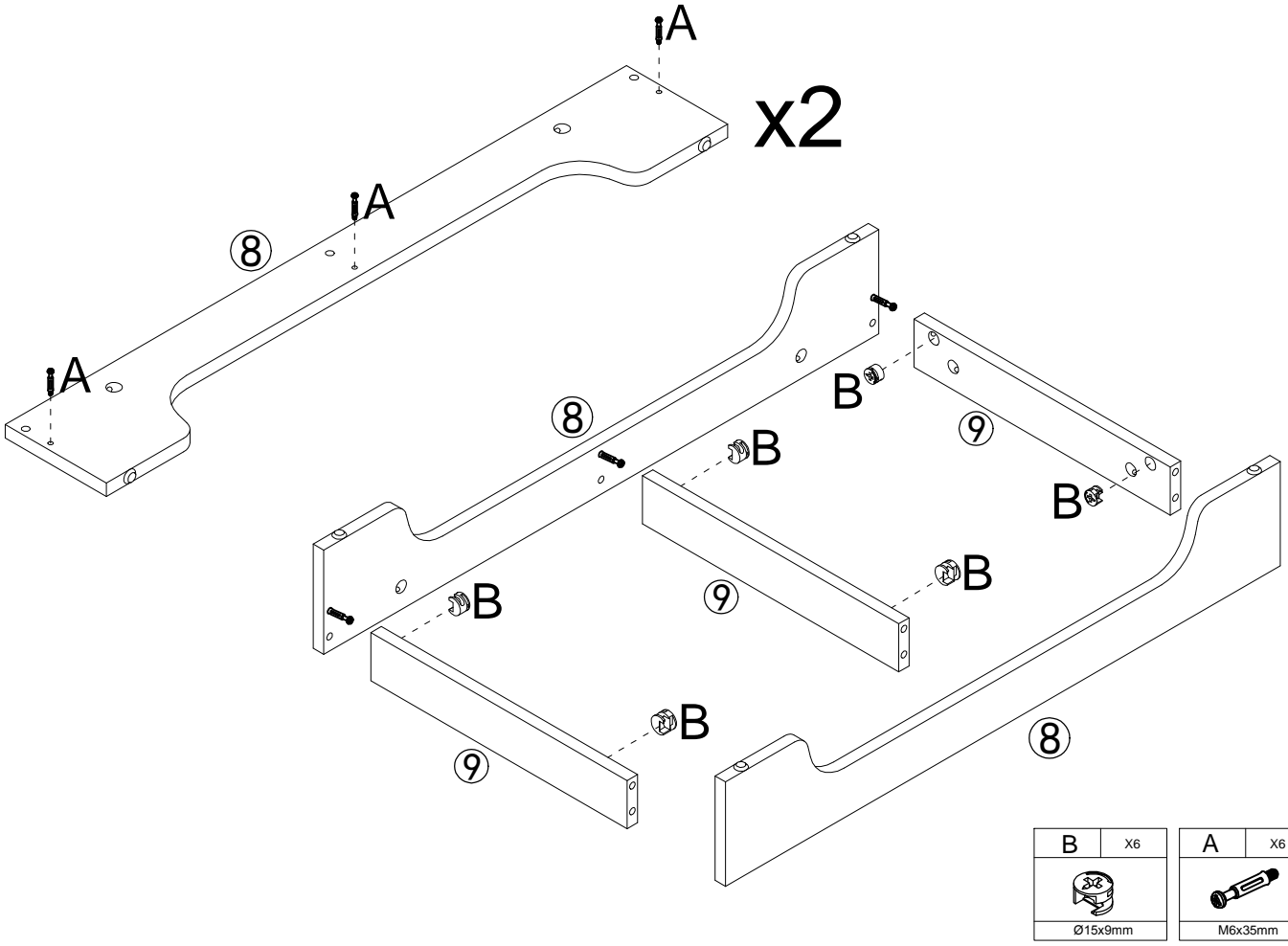


G	x3
	
Ø8x30mm	

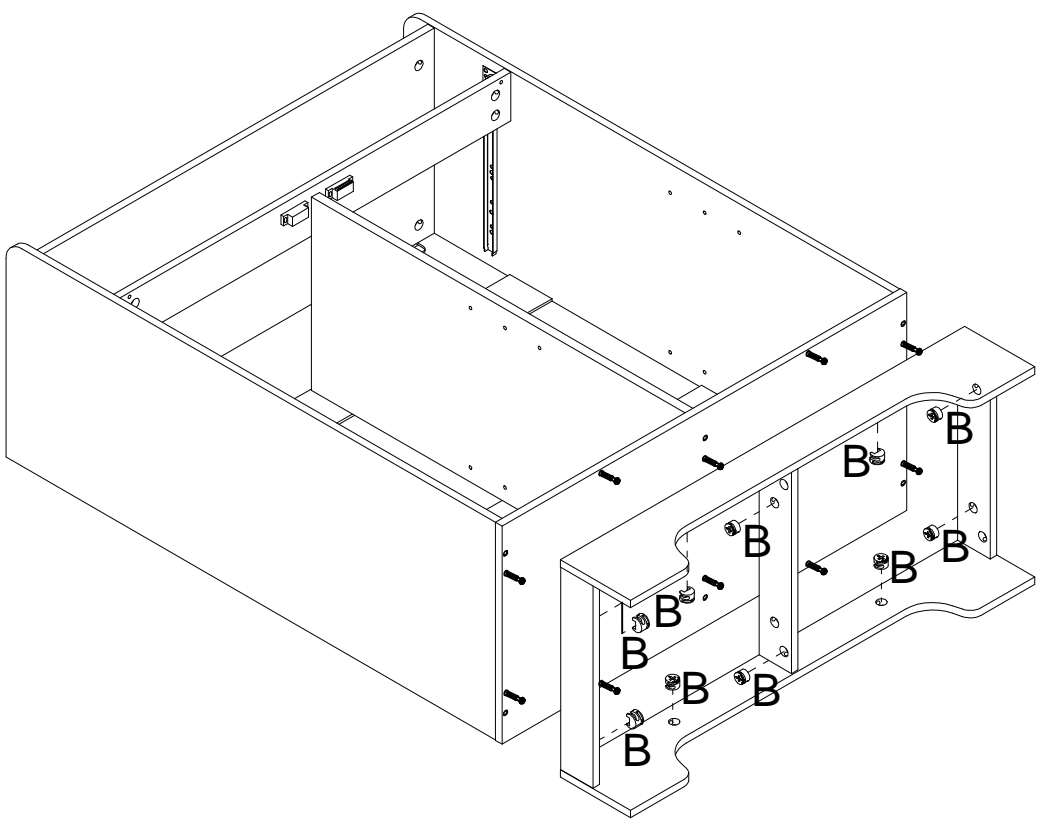
F	x6
	
M5x40mm	

A	x10
	
M6x35mm	

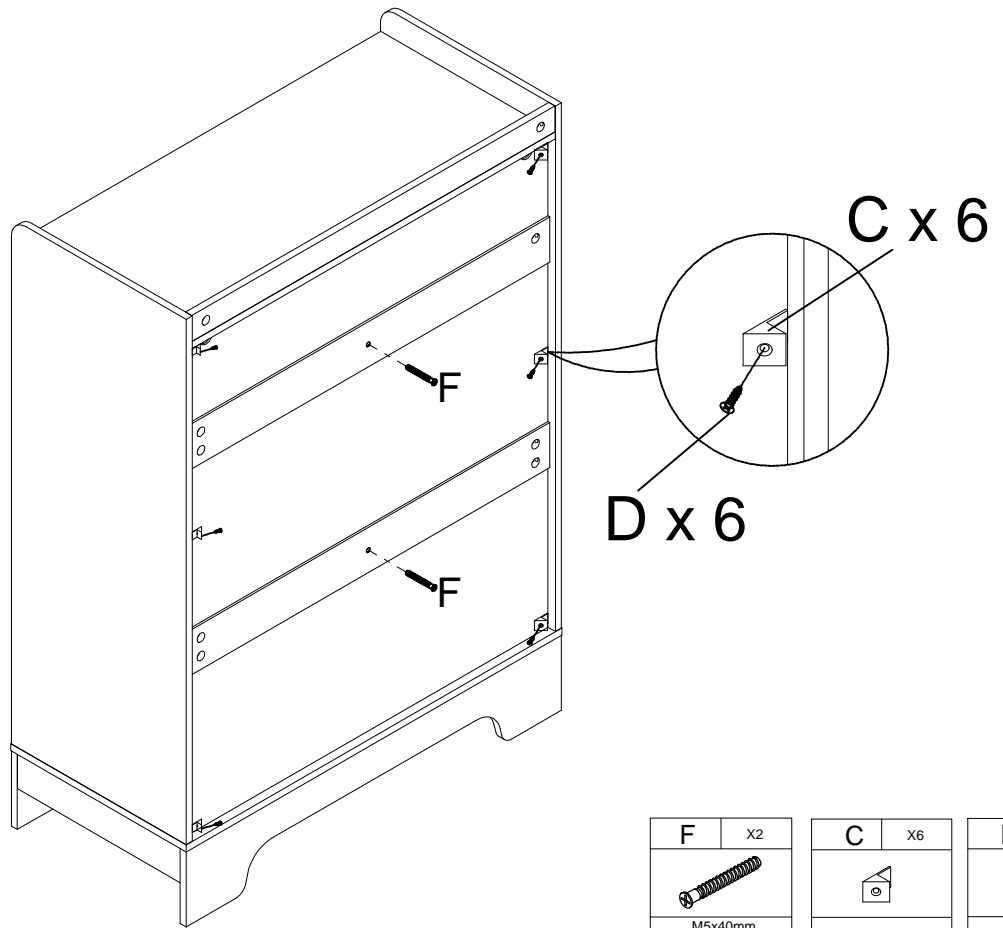
9





10




11

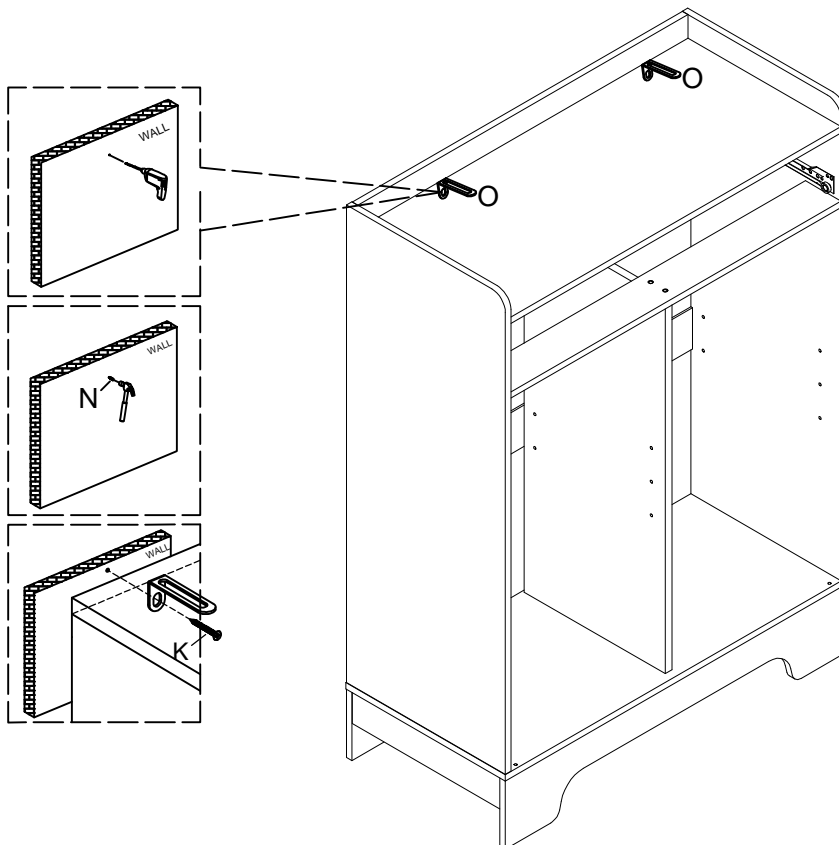



F	x2
	
M5x40mm	


C	x6
	

D	x6
	
M3x14mm	

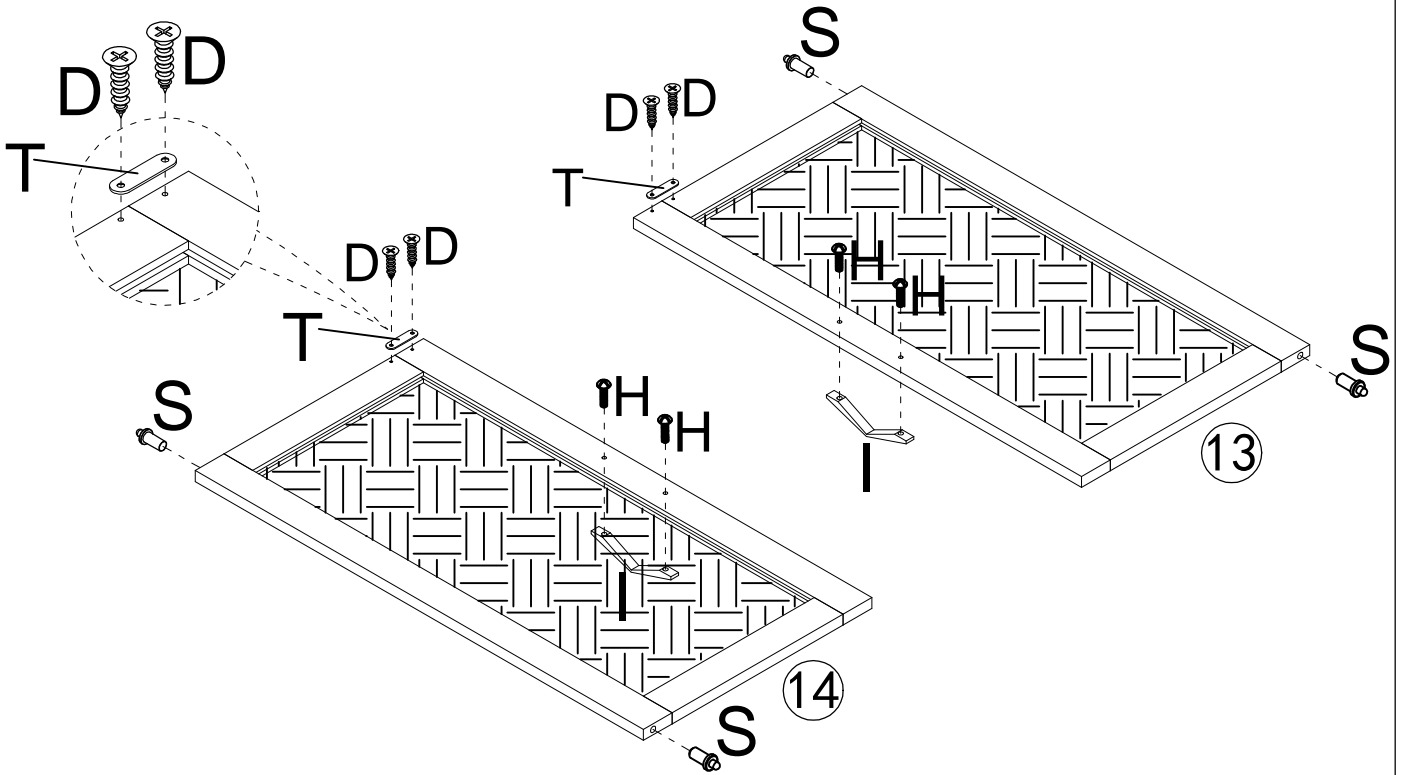
12








N	x2
	
Ø6x30mm	

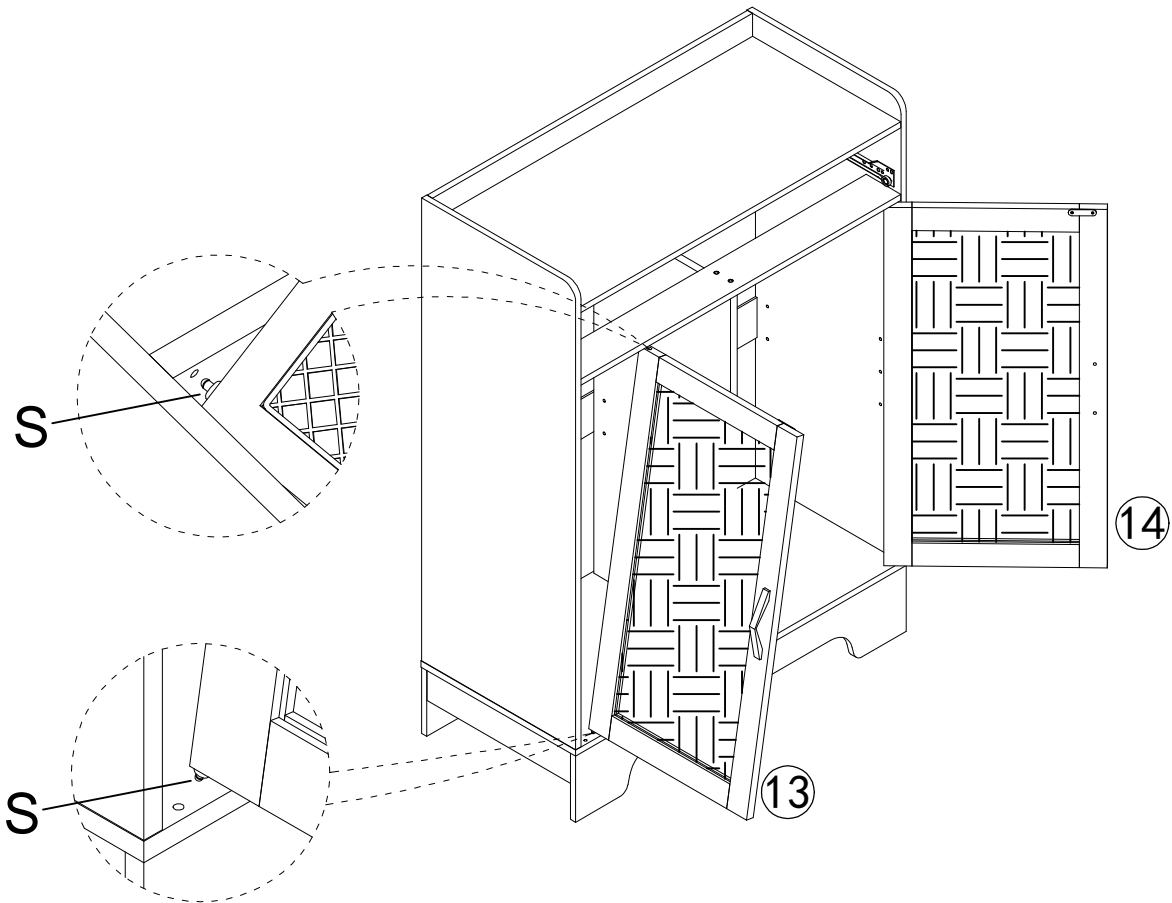
K	x2
	
M4x35mm	

11

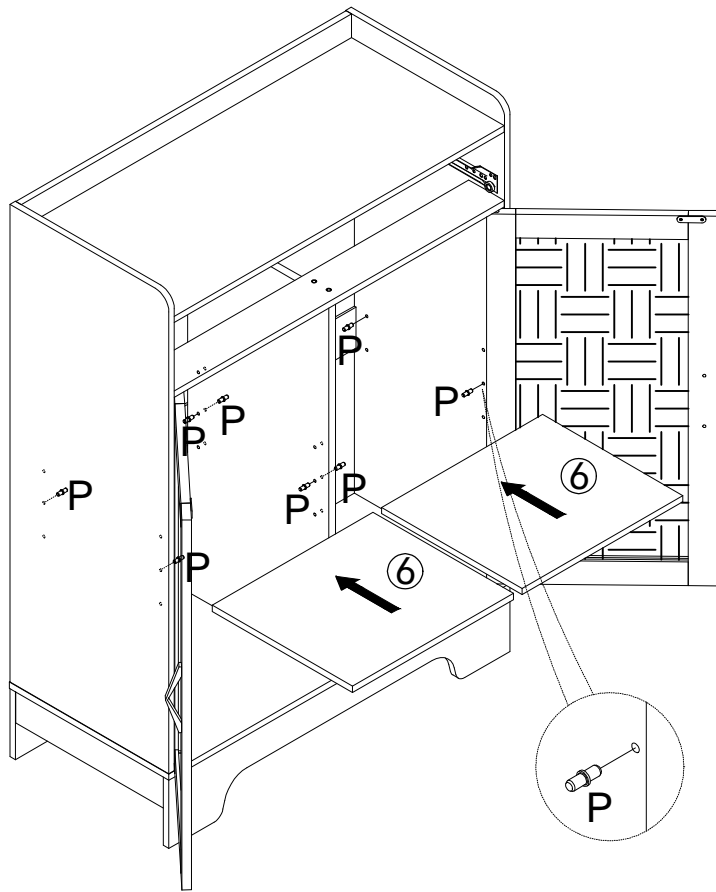



D	X4	T	X2	S	X4	H	X4	I	X2
									
M3X14						M4x18mm			

12

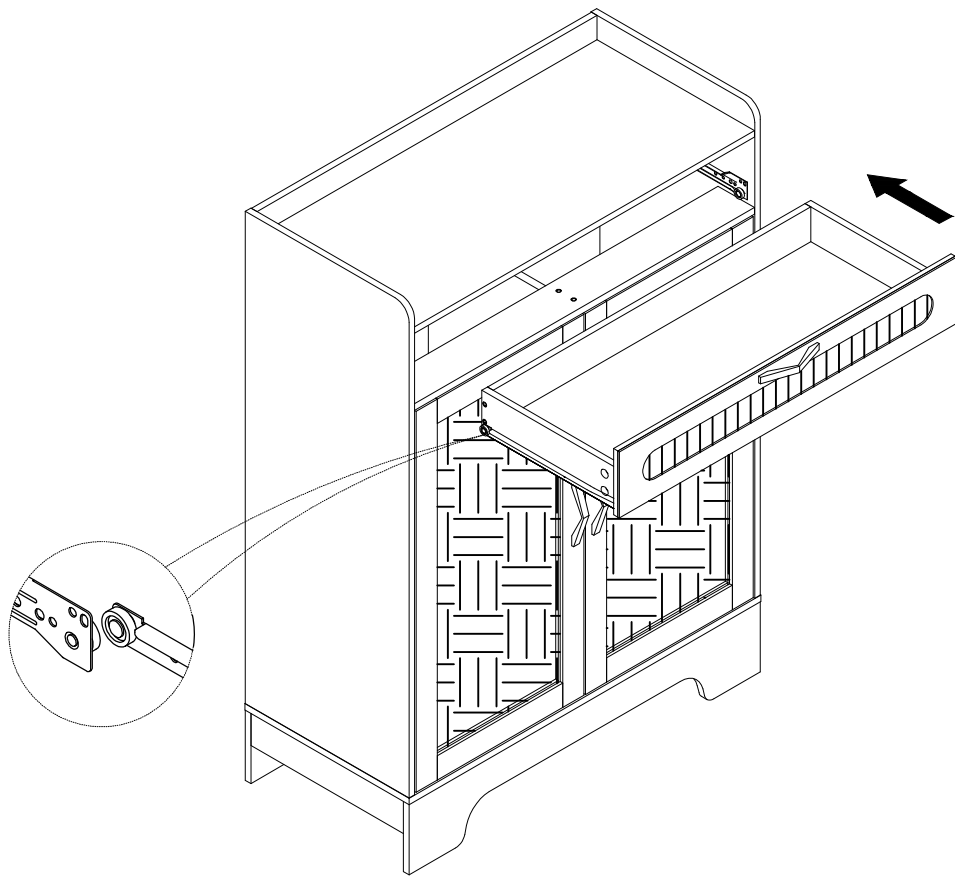


13

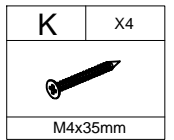
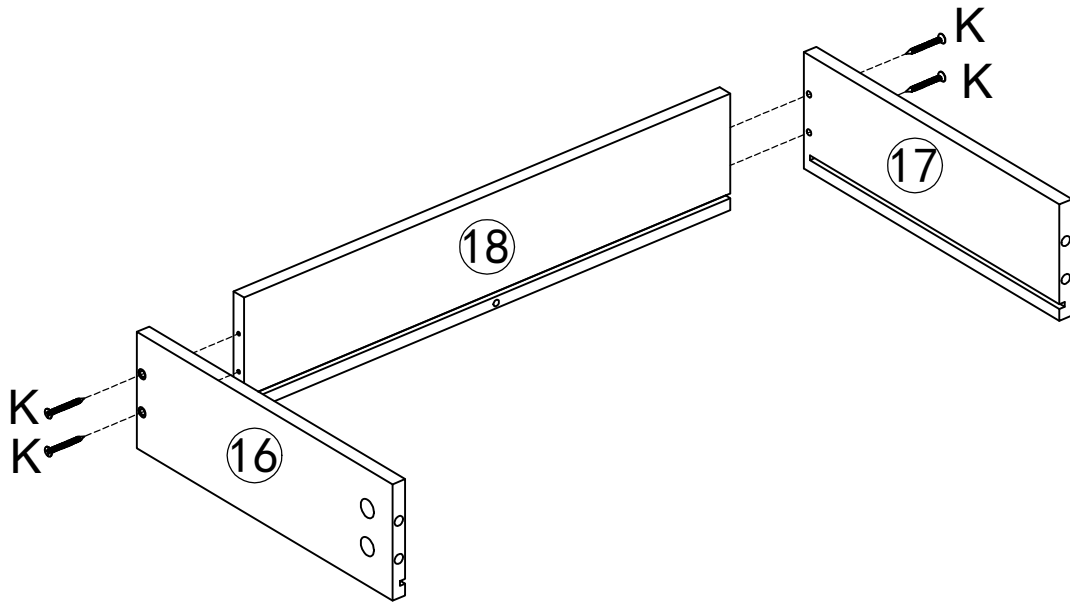


P	x8
	

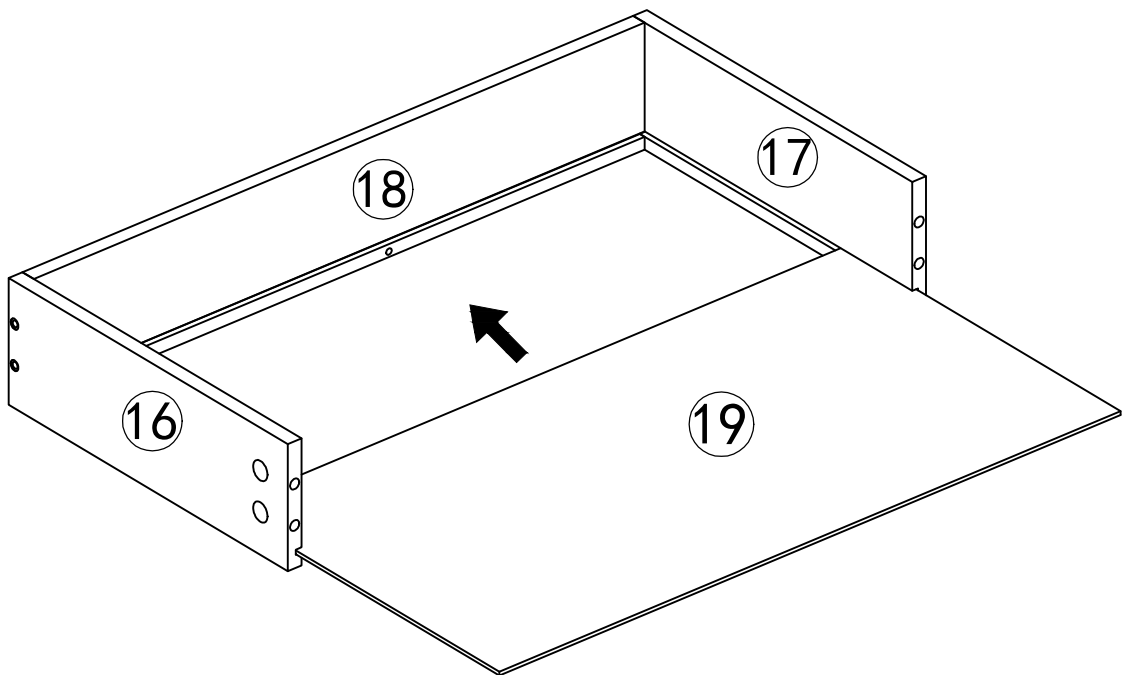
14



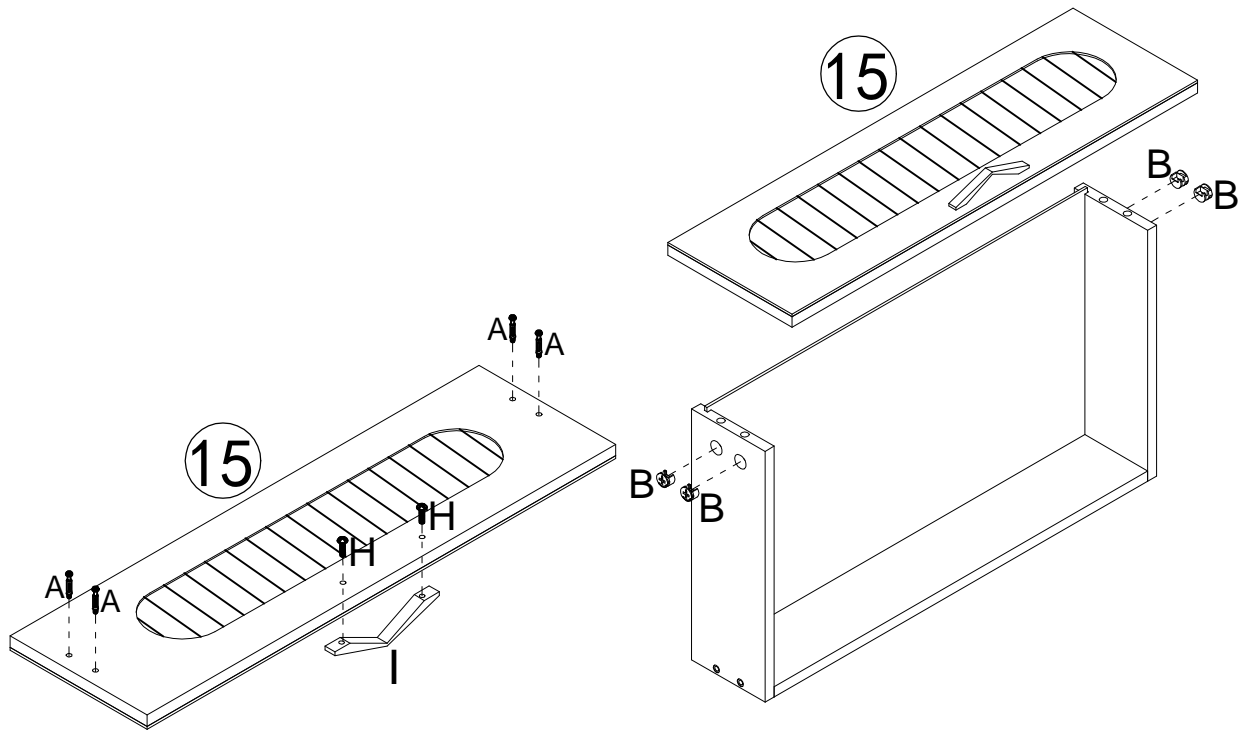
15







16

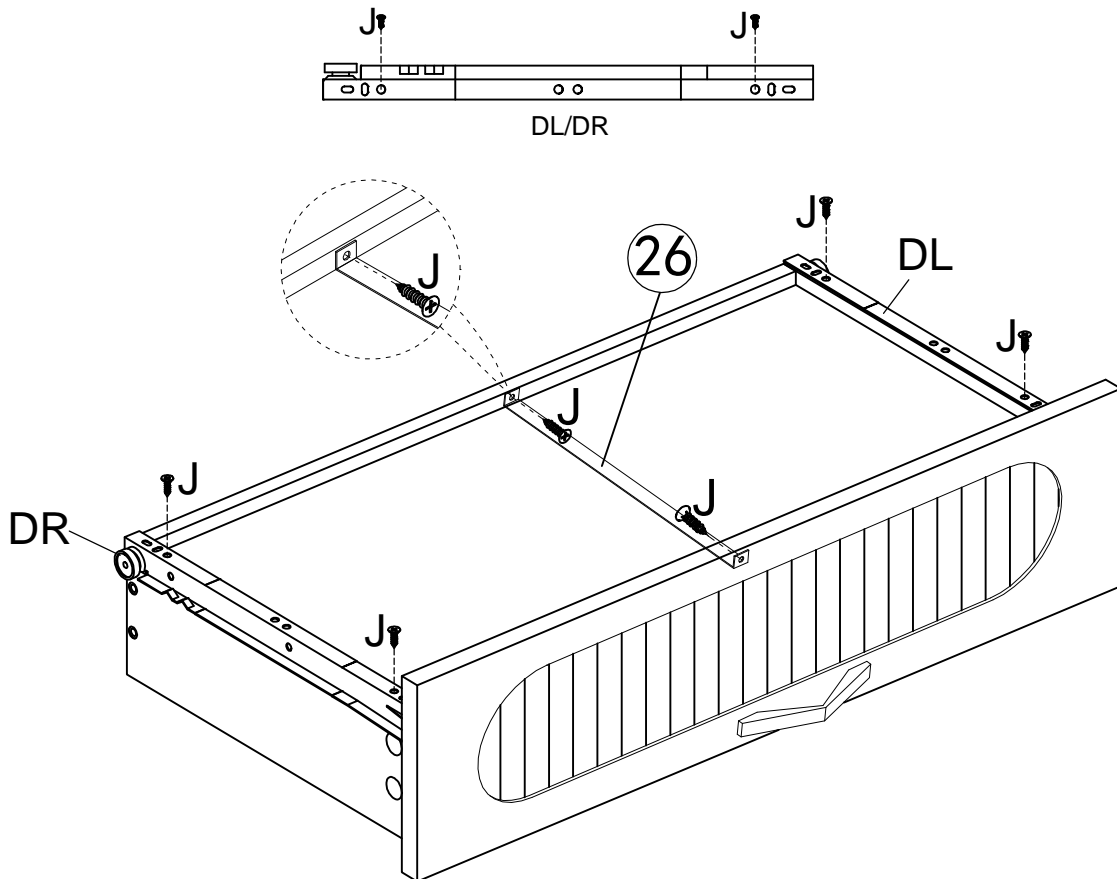



17



H	x2	I	x1	A	x4	B	x4
							
M4x18mm				M6x35mm		Ø15x9mm	

18



J	x6
	
M3x12mm	

