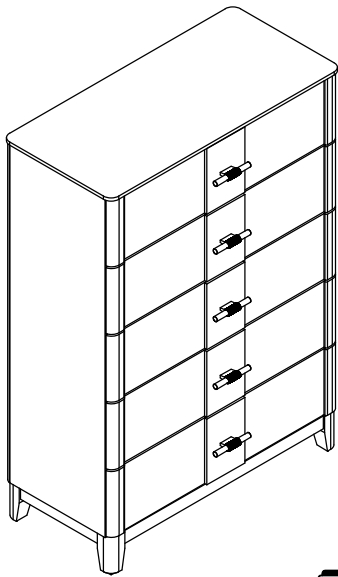


ASSEMBLY INSTRUCTIONS

CHEST - BLACK



PARTS LIST

NO	DESCRIPTION	QTY
1	CHEST	1 PC.
2	LEG	4 PCS.

HARDWARE LIST

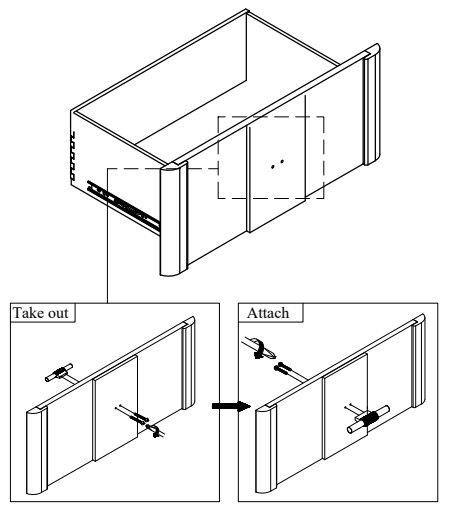
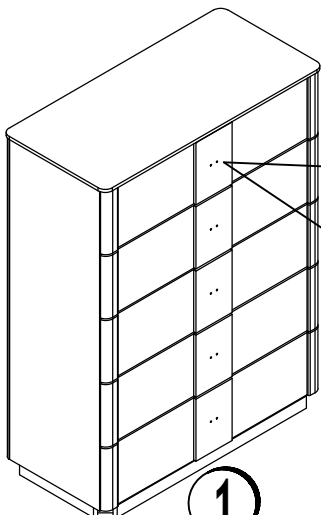
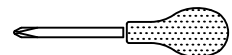
NO	DESCRIPTION	SIZE	QTY
A	JCBC SCREW	M6 x 50	8 PCS.
B	SPRING WASHER	M8	8 PCS.
C	FLAT WASHER	M8 x 18	8 PCS.
D	ALLEN KEY	M4	1 PC.



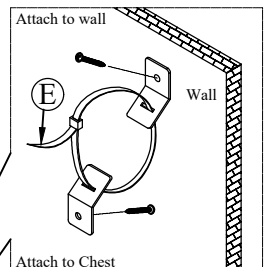
STEP 1

STEP 1: Assemble the handle from inside the drawer head to the front drawer head.

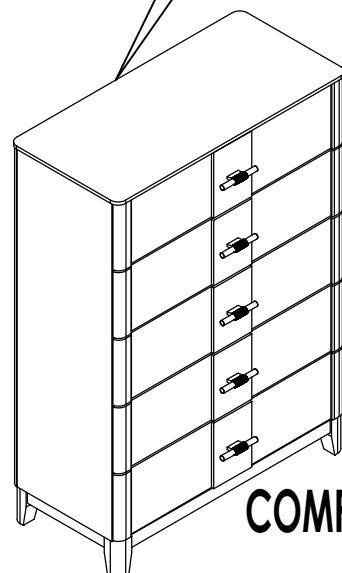
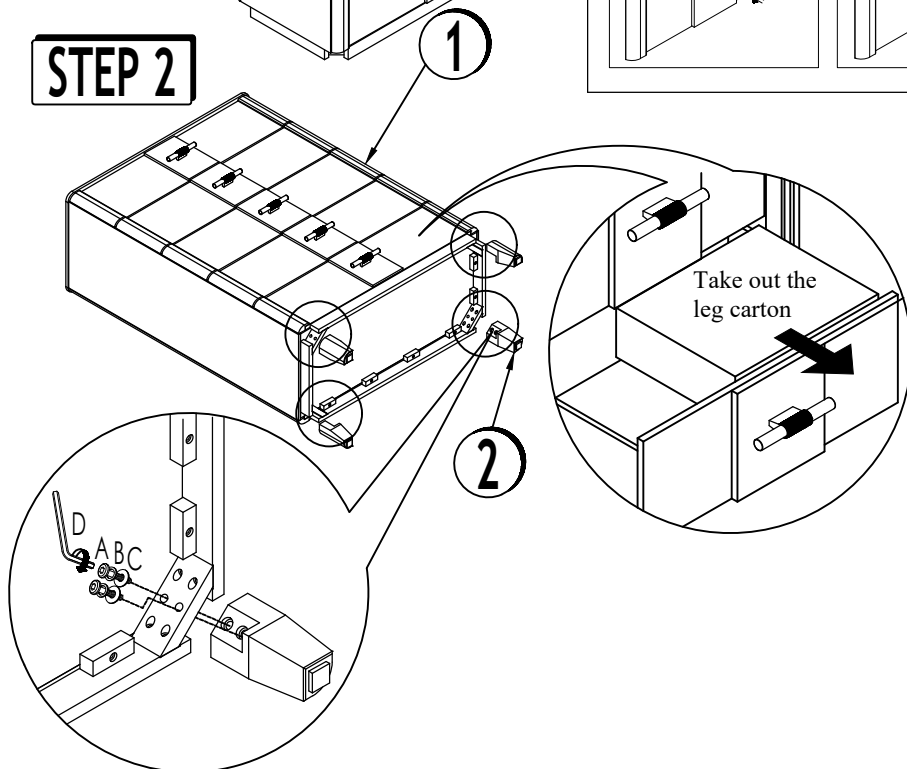
TOOL REQUIRED (NOT PROVIDED)



STEP 3



STEP 2



COMPLETED