

# ASSEMBLY INSTRUCTIONS

Read this instruction carefully. See hardware and furniture part list for guidance. Be sure all parts are complete, before you assemble. Place all wooden furniture parts on a clean and flat soft surface to prevent from being scratched. Follow the figure to start assembling.

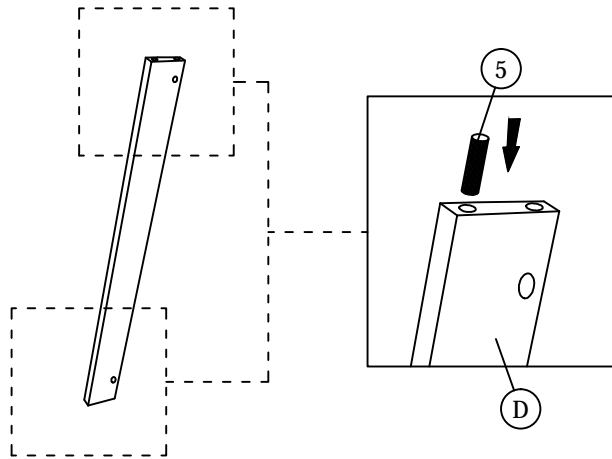
**CAUTIONS :** 1. Do not FULLY - TIGHTEN the nut or nut bolt until all nut or bolt is ready assembled.  
2. Do not OVER - TIGHTEN the nut or bolt to avoid causing damages to the thread.  
3. Keep all hardware parts out of reach of children.

NOTE : THE LIST AND QUANTITY SHOWN ARE FOR 1 UNIT ASSEMBLY.

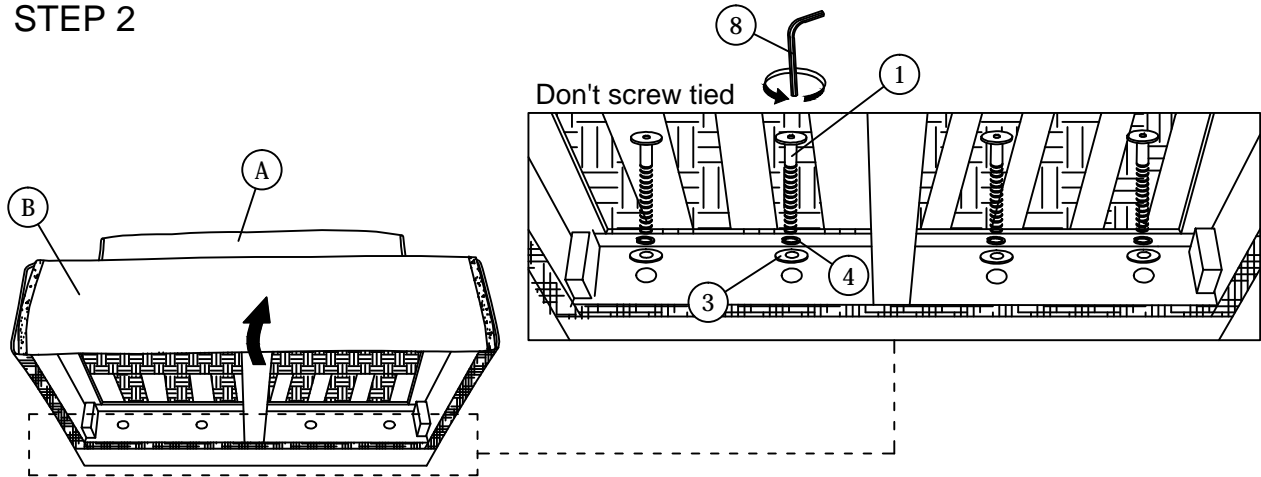
| PART LIST |             |      |
|-----------|-------------|------|
| ITEM      | DESCRIPTION | QTY  |
| A         | BACK        | 1pc  |
| B         | SEAT        | 1pc  |
| C         | ARM         | 2pcs |
| D         | FRONT RAIL  | 1pc  |

| PART LIST |                           |      |
|-----------|---------------------------|------|
| ITEM      | DESCRIPTION               | QTY  |
| 1         | JCBB Bolt M8 x 60mm       | 8pcs |
| 2         | JCBB Bolt M8 x 80mm       | 2pcs |
| 3         | M8 Flat Washer            | 4pcs |
| 4         | M8 Spring Washer          | 4pcs |
| 5         | Wood Dowel M10 x 40mm     | 2pcs |
| 6         | M8 Bran Nut               | 2pcs |
| 7         | Wood Button Dia 18.5mm    | 6pcs |
| 8         | M5 Allen Key (Ball Shape) | 1pc  |
| 9         | Wood Screw M4 x 50mm      | 2pcs |

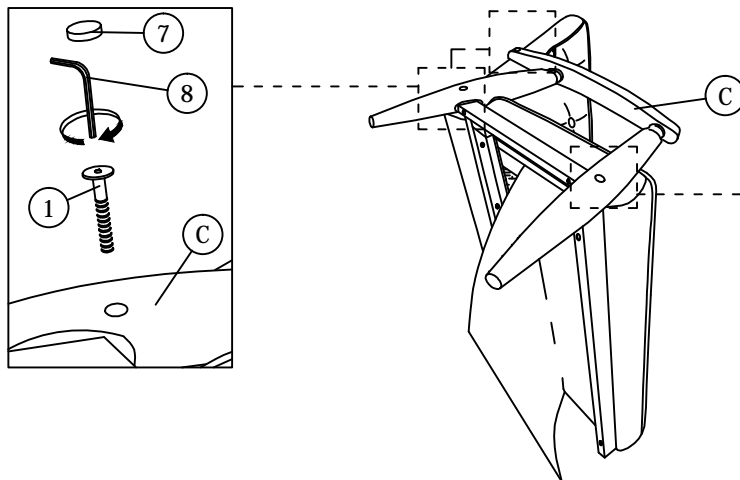
## STEP 1



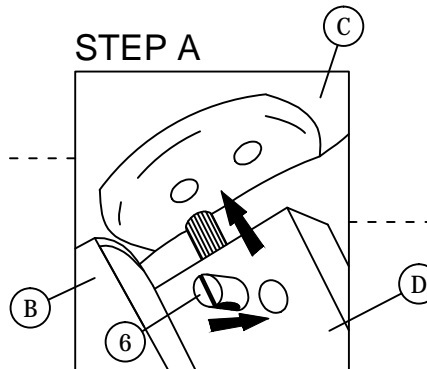
## STEP 2



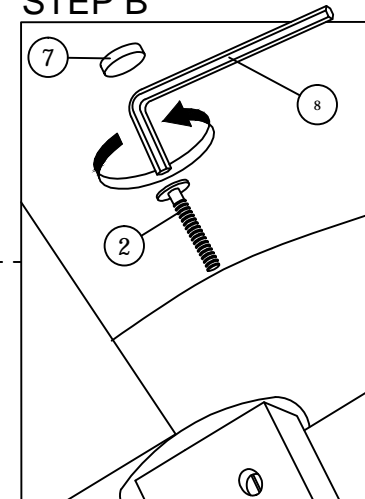
## STEP 3



## STEP A

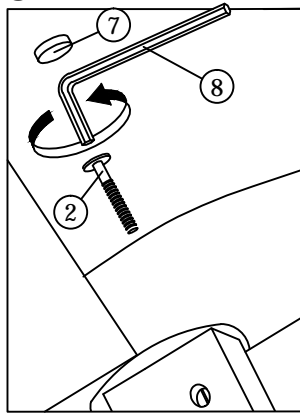


## STEP B

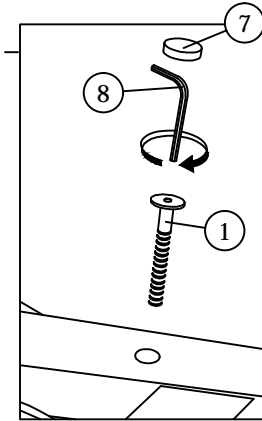
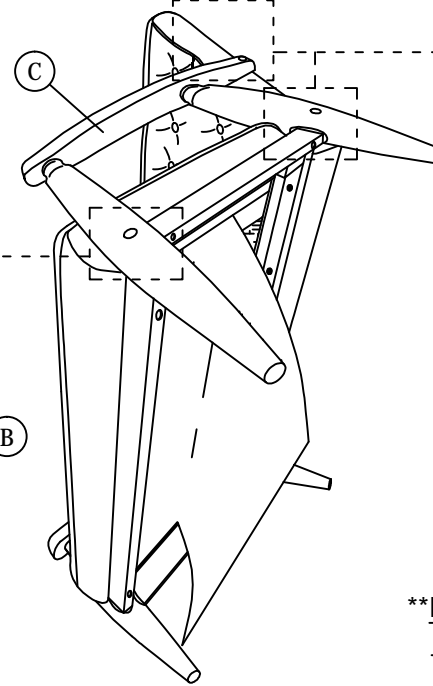
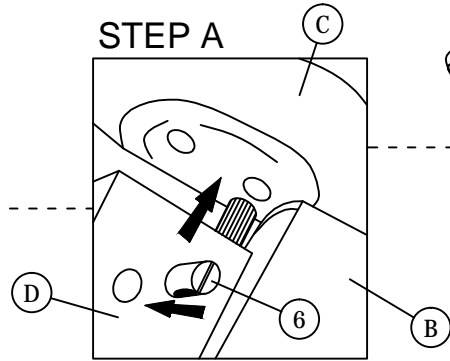


## STEP 4

### STEP B

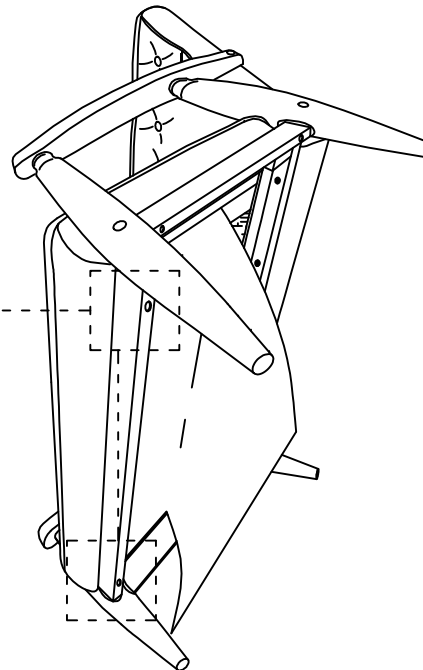
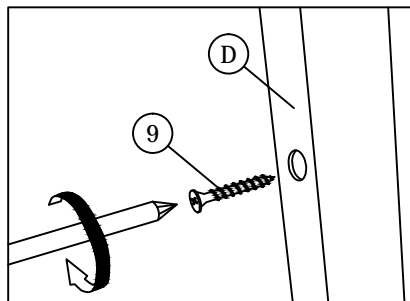


### STEP A



**\*\*Finish step 4,  
Please screw tied the step 2 bolt.**

## STEP 5



## STEP 6

