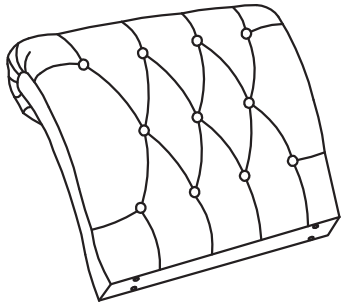


ASSEMBLY INSTRUCTIONS

Parts and Hardware

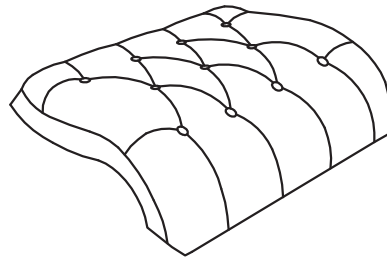
Please check to make sure you have all parts and hardware before starting assembly process.

A



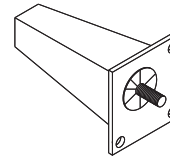
Back Cushion 1pc

B

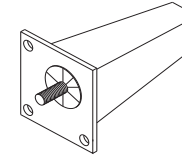


Seat Cushion 1pc

C1
Left

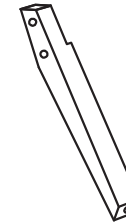


C2
Right



Front Legs 2 pcs

D1
Left



D2
Right



Back Legs 2 pcs

(E)

1



Allen Head Bolts
5/16*60mm 9pcs

(F)

2



Spring Washer
9 pcs

(G)

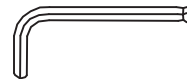
3



Large Flat Washer
9 pcs

(H)

4



Allen Wrench
1 pc

(I)

5



Allen Head Bolts
1/4*25mm 4pcs

(J)

6



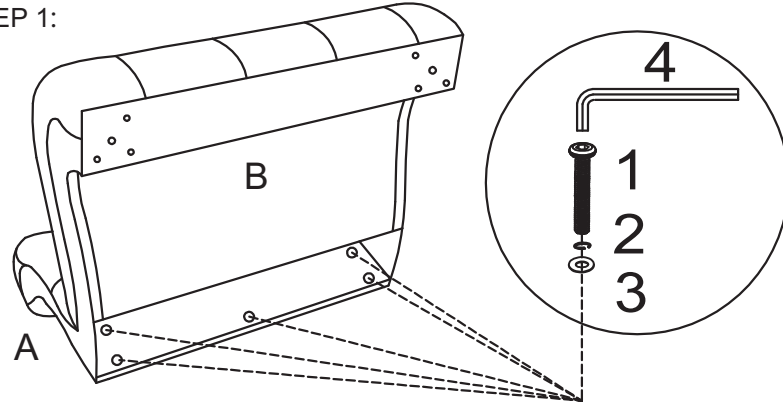
Small Flat Washer
9 pcs

ASSEMBLY INSTRUCTIONS

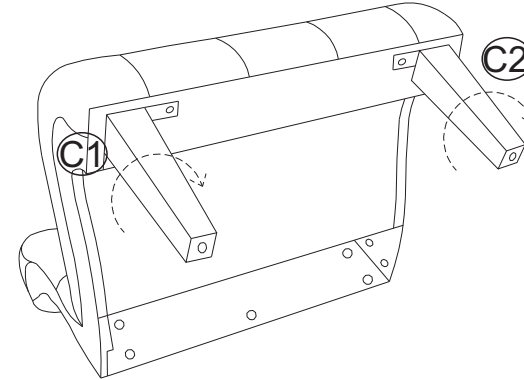
Assembly Instructions

Please read and understand all assembly instructions before beginning assembly process.
Do not tighten any single bolt until all bolts in holes on each step

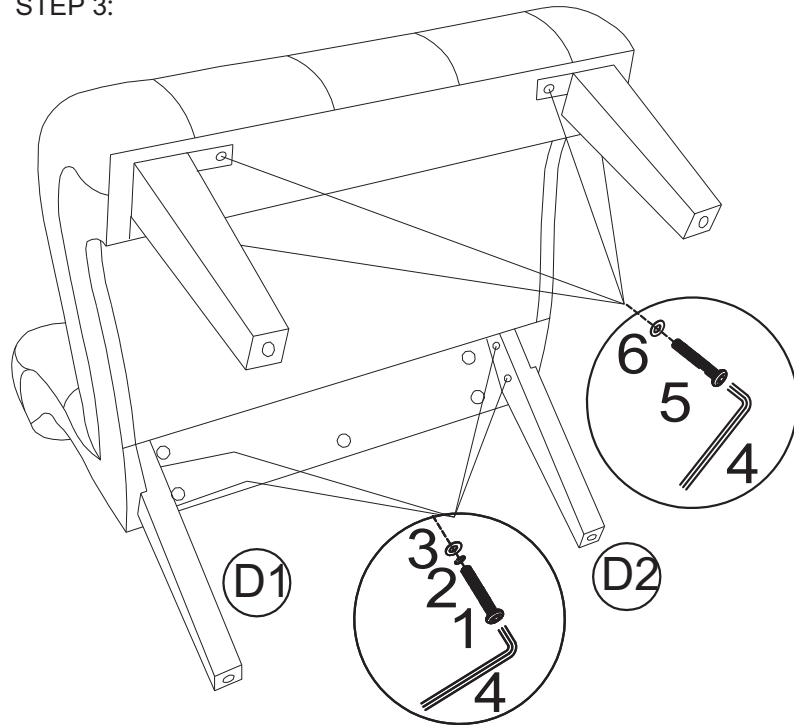
STEP 1:



STEP 2:



STEP 3:



STEP 4:

