

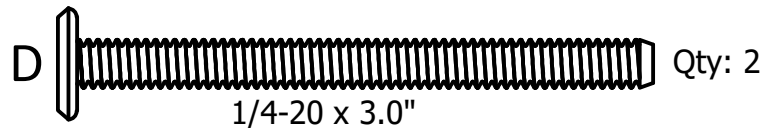
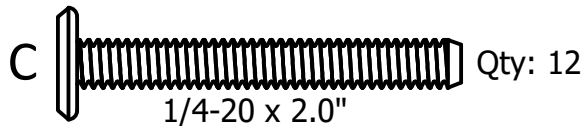
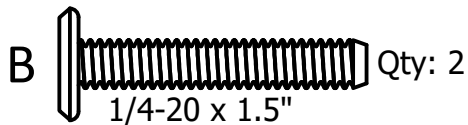
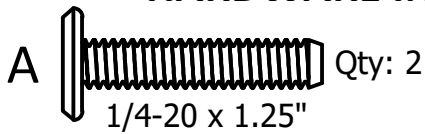
4' Adirondack Counter Height Bench

Assembly Guide

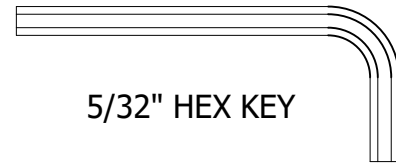


*Actual Style May Vary from the One Pictured in this Guide

HARDWARE INCLUDED

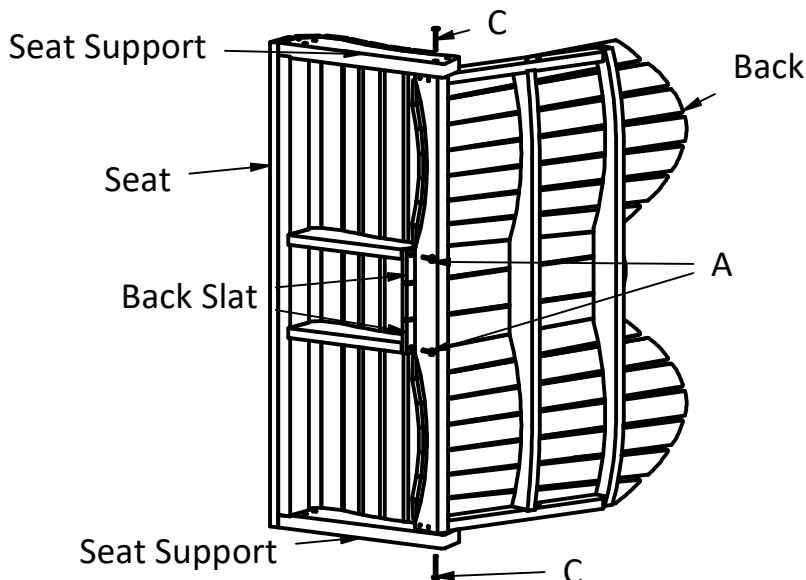


TOOLS INCLUDED



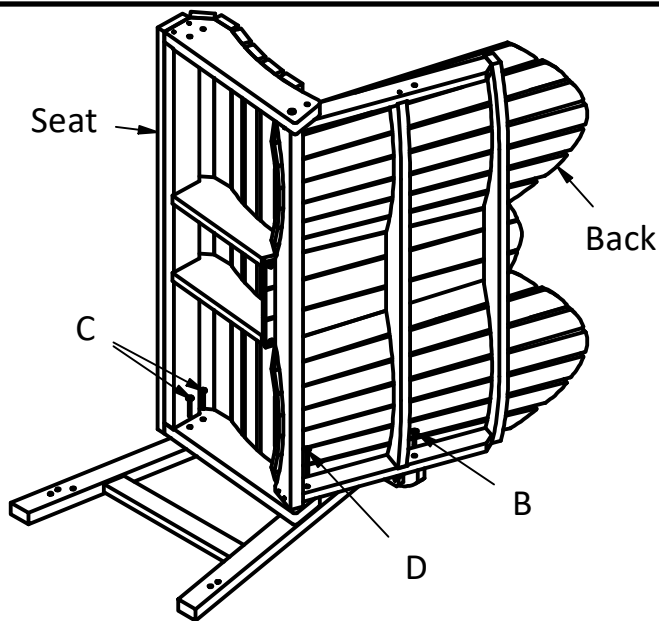
IMPORTANT!

DO NOT fully tighten bolts until all bolts are started.



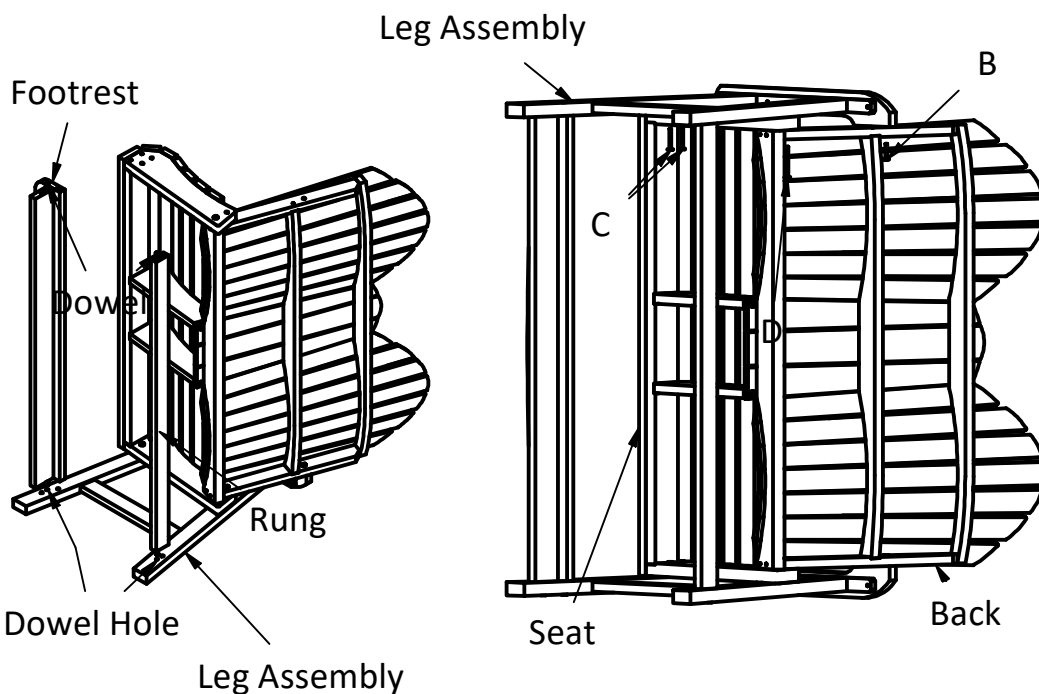
1) Attach Back to Seat using
(2) C Bolts going through Seat Supports into the Back.

2) Attach Back to Seat using
(2) A Bolts going through Back Slat into the Seat.



4) Attach the Arm Assembly to the Seat using (2) C bolts.

5) Attach the Arm to the Back using (1) B bolt and (1) D bolt.

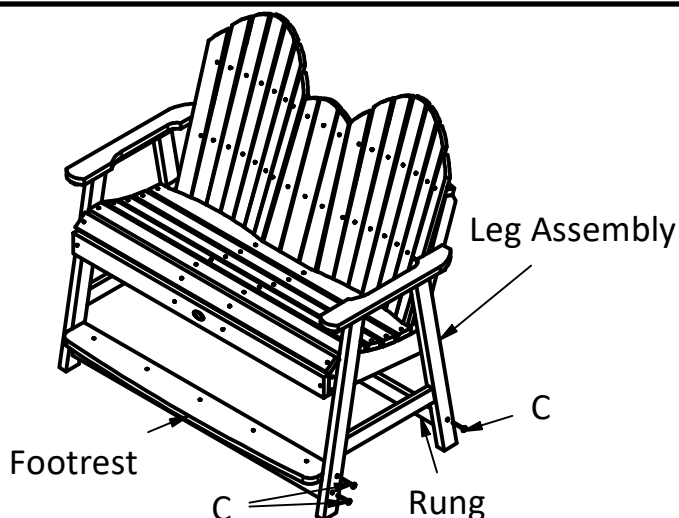


6) Place the Dowel that is in the Footrest and Rung in the Dowel hole in the Leg Assembly.

7) Place the other Leg Assembly on top of the Footrest and Rung, lining up the Dowel with the Dowel holes.

8) Attach the Arm Assembly to the Seat using (2) C bolts.

9) Attach the Arm to the Back using (1) B bolt and (1) D bolt.



10) With the help of someone, flip the bench in the upright position.

11) Attach the Footrest and Rung to the Leg Assembly with (3) C bolts.

12) Repeat **11** on the other side of the bench.