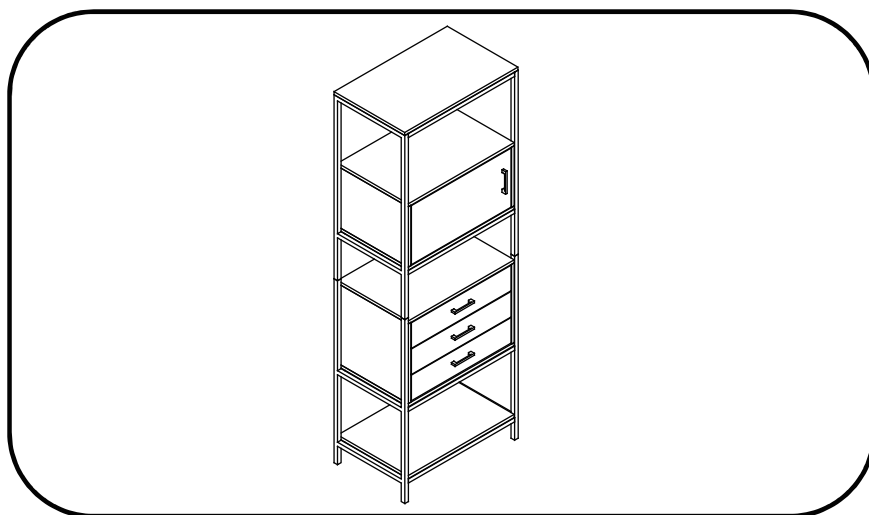


# Bookcase with Storage



## Assembly Instructions

Product Dimensions:  
49.21"L×5.70"D×15.94"H

Please take a moment to read through the entire instruction booklet before assembly to familiarize yourself with this product. Once you feel ready to start, follow the instructions step by step and this should make this process as easy as we could make it for you.

If you need help or have damaged or missing parts, contact customer service

# WARNING CAUTION

## ADULT ASSEMBLY REQUIRED CHOKING HAZARD

- This product includes small parts, sharp points and sharp edges in its unassembled state. Keep unassembled parts away from children under 3 years of age, and animals.

## SAFETY WARNINGS

- Follow the information on the warnings appearing on cabinet and on the carton. Do not remove warning label from cabinet.
- Do not allow children under 3 years of age to use the cabinet.
- Do not use substitute parts. Contact the manufacturer or dealer for replacement parts.

## FURNITURE TIP-OVER HAZARD

### Children have died from furniture tip-over

To reduce the risk of furniture tip-over:

- ALWAYS install tip-over restraint especially if used by a wall or in the open.
- NEVER put a TV on this product
- NEVER allow children to stand, climb or hang on drawers, doors, or shelves.
- NEVER open more than one drawer at a time.
- ALWAYS place heaviest items in lowest of cabinet.

## PARENTAL SUPERVISION IS REQUIRED

- Parents or Guardians should supervise use under the intended age specifically regarding children that may have access to it and climb on the unit.
- Do not allow horseplay on, under, or behind the unit and prohibit jumping on the cabinet.
- If used improperly, your table may be pulled over or fall, creating risk of injury or damage. Children should not be permitted to climb or pull on the cabinet.

## USE, MAINTENANCE & ASSEMBLY

- Periodically check and ensure that the components are in their proper position, free from damage, and that all connectors are tight.
- Use on level surfaces only. Assemble on a soft level surface to avoid damage to unit or floor.
- Do not use this item if any components are missing or damaged.
- Do not use substitute parts. Contact the manufacturer or dealer for replacement parts.
- Only clean using damp cloth and mild detergent, do not use bleach or abrasive cleaners.
- Check you have all components and tools listed on page 4
- Do not stand or put weight on this product during assembly, this could cause damage.
- Remove all hardware from the plastic bags and separate them into groups.
- Assemble the item as close to its final position (in the same room) as possible.
- Certain assembly steps may be easier with 2 people.
- Dispose of all packaging carefully and responsibly.
- We do not recommend power screwdrivers. Only use hand screwdrivers to prevent damage to unit.

## Keep these instructions for future reference

### Enfants morts suite au basculement d'un meuble.

Afin de limiter le risque de basculement de meuble:

- TOUJOURS utiliser les fixations anti-basculement.
- NE JAMAIS installer de TV sur ce produit.
- NE JAMAIS laisser d'enfants se tenir debout sur les tiroirs, portes ou étagères, y grimper ou s'y suspendre.
- NE JAMAIS ouvrir plus d'un tiroir à la fois.
- TOUJOURS placer les choses les plus lourdes dans les tiroirs du bas.

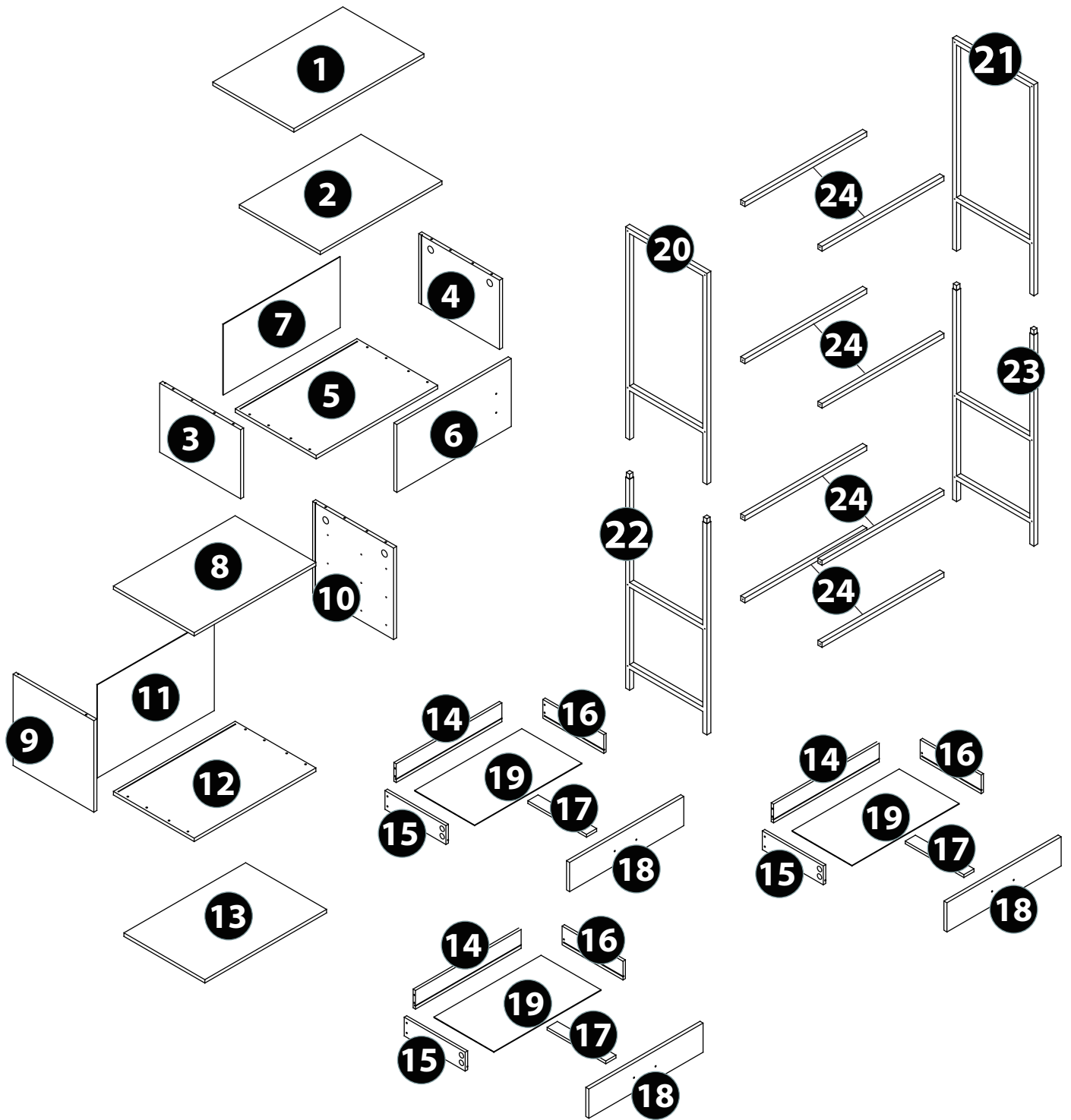
### Han muerto niños por el vuelco de muebles.

Para limitar el riesgo de vuelco de los muebles:

- Utilizar SIEMPRE las fijaciones antivuelco que suministran.
- NUNCA instalar un TV sobre este producto.
- NUNCA permitir que los niños se pongan de pie, trepen o se cuelguen de los cajones, puertas o baldas.
- NUNCA abrir más de un cajón a la vez.
- Colocar los objetos más pesados en los cajones inferiores.

# ASSEMBLY AT A GLANCE

Please take a moment to read through the whole instruction booklet before assembly to familiarize yourself with this product. Once you feel ready to start, follow the instructions step by step and this should make this process as easy as we could make it for you.

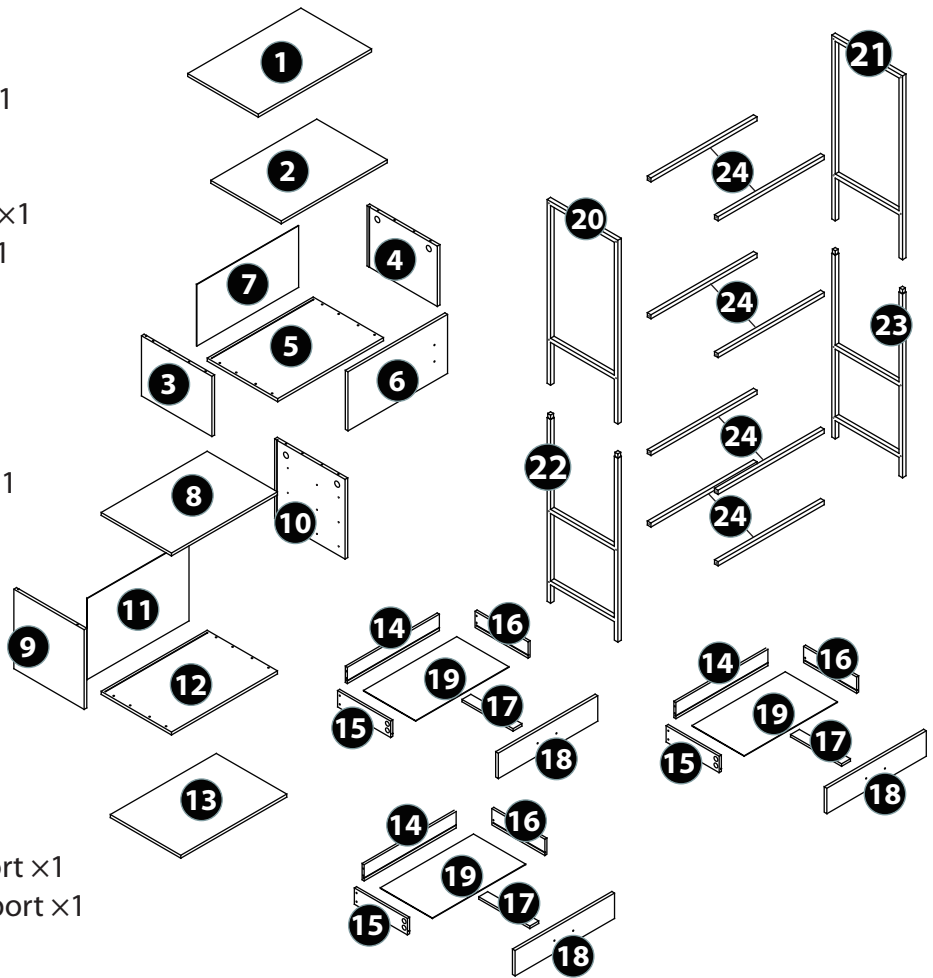


This drawing is to give you an overall idea only of how this assembly will go together and does not replace the assembly instructions.

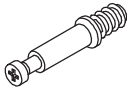


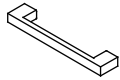
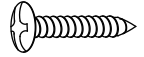
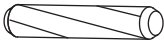
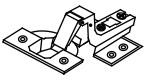
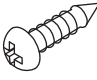
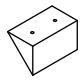

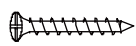


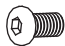

# COMPONENT PARTS

Please check that you have all the parts listed below

1. Top Panel x1
2. Second Drawer Top of Panel x1
3. Second Drawer Left Panel x1
4. Second Drawer Right Panel x1
5. Second Drawer Bottom Panel x1
6. Second Drawer Front Door x1
7. Second Drawer Back Panel x1
8. Third Drawer Top of Panel x1
9. Third Drawer Left Panel x1
10. Third Drawer Right Panel x1
11. Third Drawer Back Panel x1
12. Third Drawer Bottom Panel x1
13. Bottom Panel x1
14. Drawer Back Panel x3
15. Drawer Left Panel x3
16. Drawer Right Panel x3
17. Drawer Support Panel x3
18. Drawer Door x3
19. Drawer Bottom Panel x3
20. Bookcase Left Support x1
21. Bookcase Right Support x1
22. Bookcase Left Bottom Support x1
23. Bookcase Right Bottom Support x1
24. Bookcase Support x4



# ASSEMBLY HARDWARE

- |          |   |          |   |          |   |          |   |          |   |
|----------|---|----------|---|----------|---|----------|---|----------|---|
| <b>A</b> |  | <b>B</b> |  | <b>C</b> |  | <b>D</b> |  | <b>E</b> |  |
|          | Cam Bolt x23  |          | Cam Lock x23  |          | Screw x28   |          | Drawer Handle x5  |          | Screw x8  |
| <b>F</b> |  | <b>G</b> |  | <b>H</b> |  | <b>I</b> |  | <b>J</b> |  |
|          | Wood Dowel Pin x16  |          | Door Lock x2  |          | Screw x12   |          | x1  |          | CL DL DR CR<br>Drawer Slide x3  |
| <b>K</b> |  | <b>L</b> |  | <b>M</b> |  | <b>N</b> |  | <b>O</b> |  |
|          | Screw x24   |          | Bolt x16  |          | Screw x38   |          | Bolt x8   |          | Hex Screwdriver x1  |

# ASSEMBLY HARDWARE

**P**



Fixed Fitting ×2

**Q**



Plastic Expansion Nail × 2

**R**



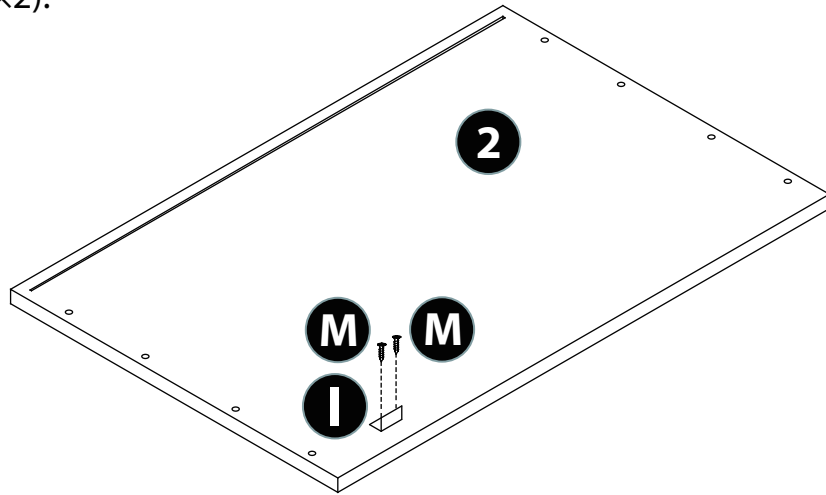
Screw ×2

---

# ASSEMBLY HARDWARE

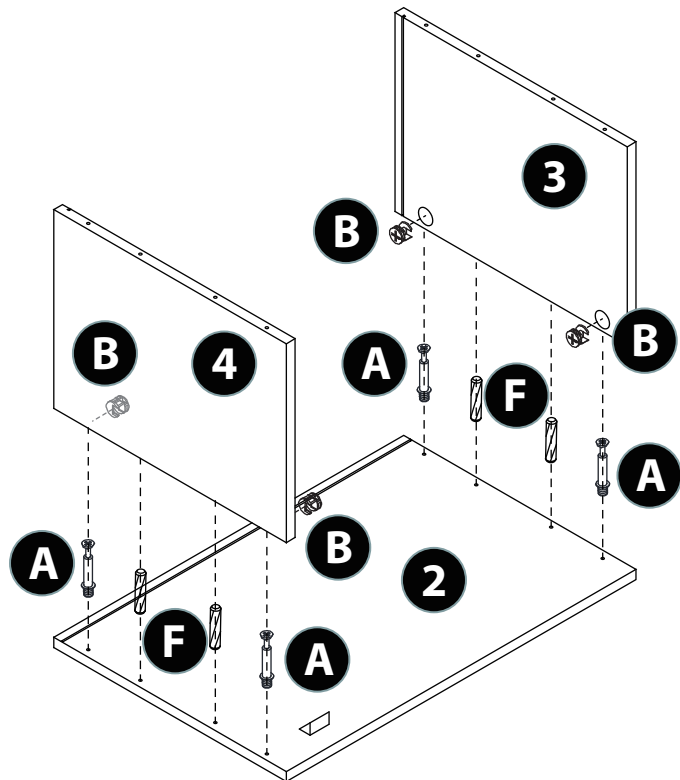
1

Select 2 (x1), I(x1) and M(x2).  
Insert I(x1) into 2 with M(x2).



2

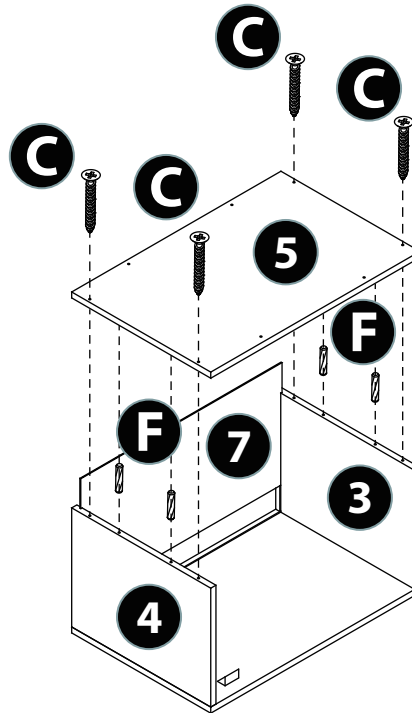
Select 3(x1), 4(x1), A(x4), B(x4)  
and F(x4). Insert B(x2) into 4.  
Repeat for B and 3. Insert 4 into 2  
with A(x2) and F(x2). Repeat for  
3 and 2.



# ASSEMBLY INSTRUCTIONS

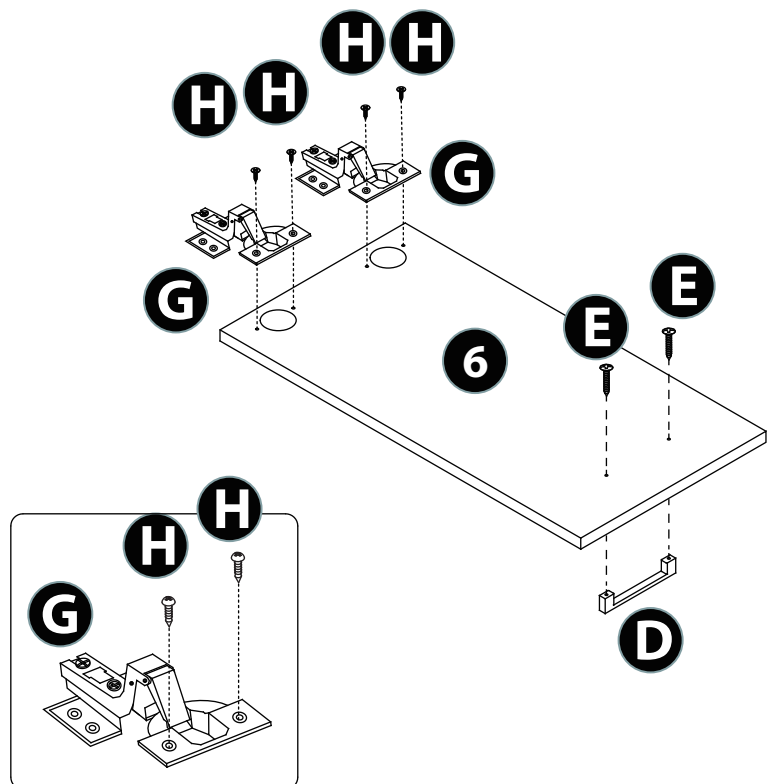
3

Select 5(×1), 7(×1), C(×4) and F(×4). Insert 5(×1) into 3 and 4 with C(×4) and F(×4). Install F(×1) along the grooves of 3 and 4.



4

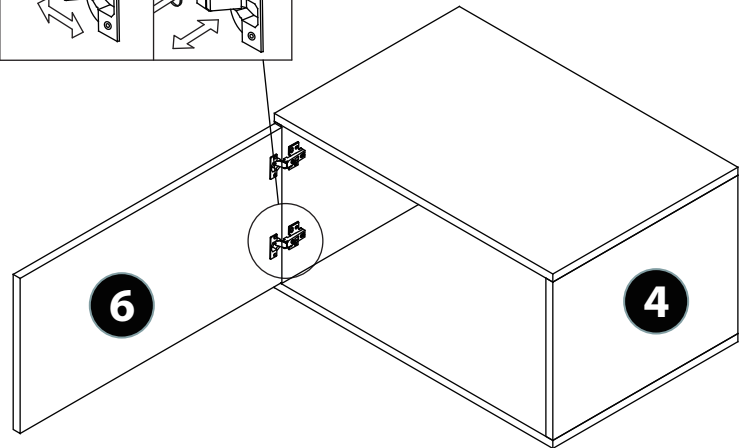
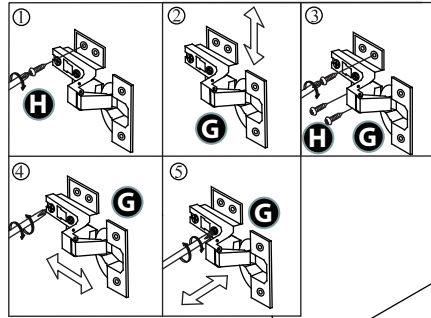
Select 6(×1), D(×1), E(×2), G(×2) and H(×4). Insert D(×1) into 6 with E(×2). Insert G(×2) into 6 with H(×4).



# ASSEMBLY INSTRUCTIONS

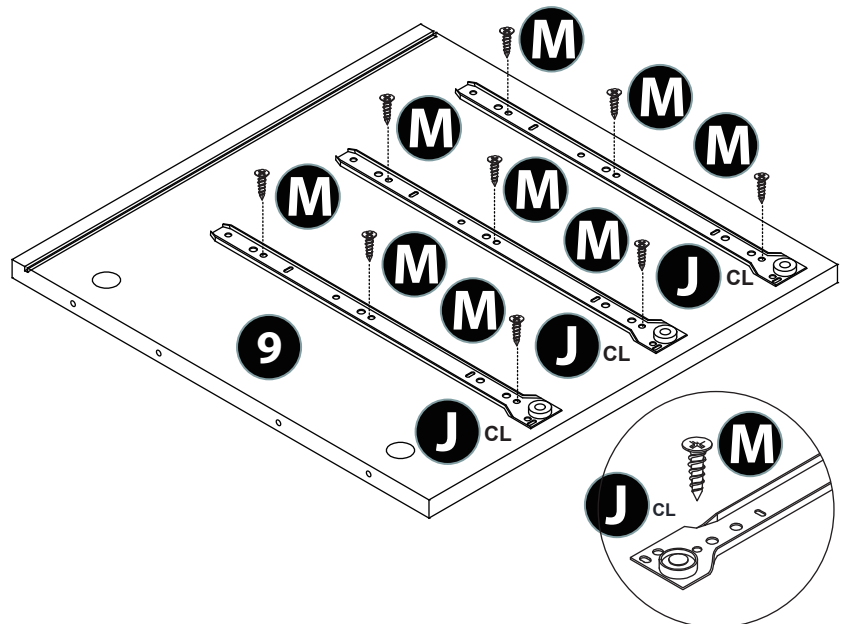
**5**

Select G(x2), H(x8).  
Insert G(x1) into 4 and 6 with  
H(x4). Repeat for the other G.



**6**

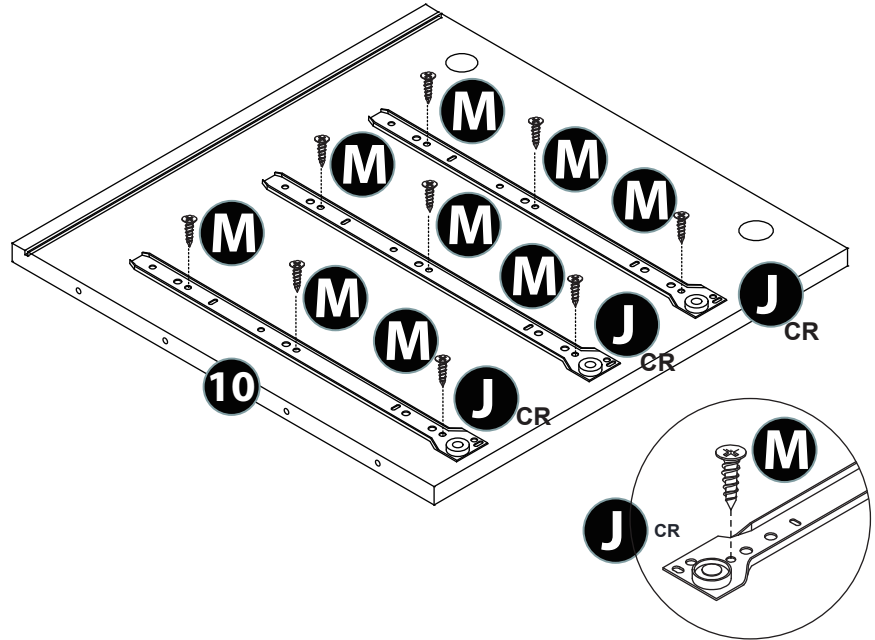
Select 9(x1), J<sub>CL</sub>(x3) and  
M(x9).  
Insert J<sub>CL</sub>(x3) into 9(x1) with  
M(x9).



# ASSEMBLY INSTRUCTIONS

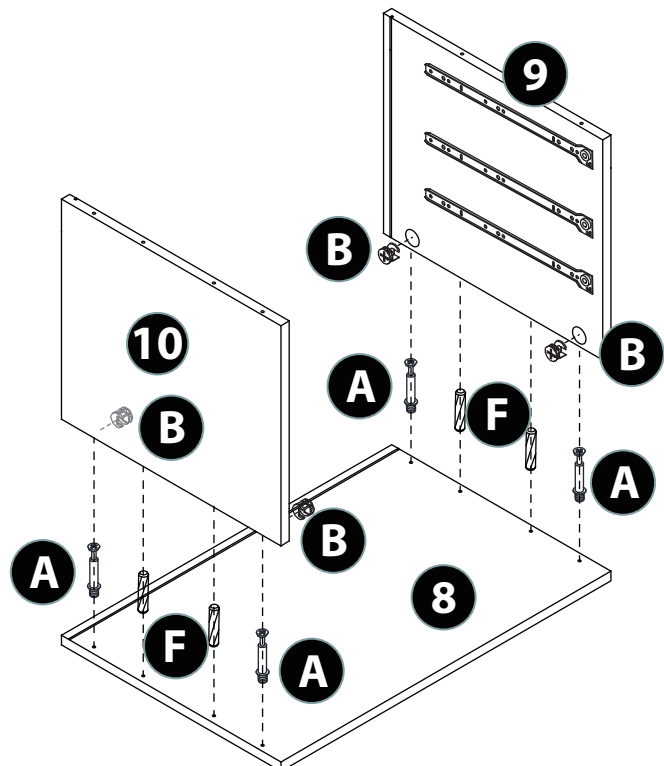
7

Select 10(x1), J<sub>CR</sub>(x3) and M(x9). Insert J<sub>CR</sub>(x3) into 10 with M(x9).



8

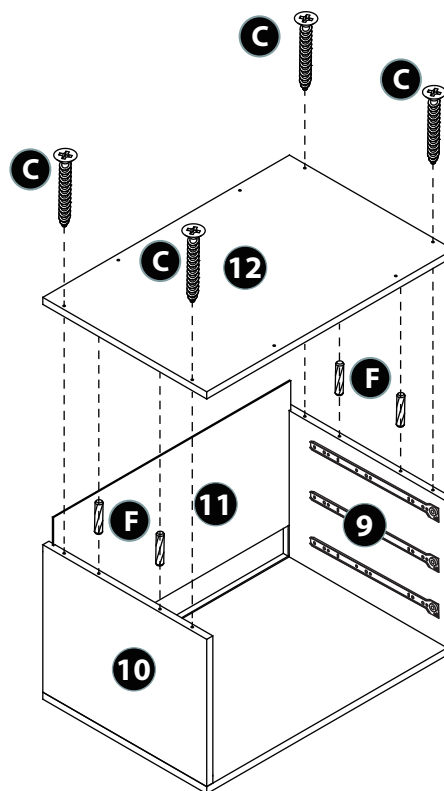
Select 8(x1), A(x4), B(x4) and F(x4). Insert 10 into 8 with A(x2), B(x2) and F(x2). Repeat for 9 and 8.



# ASSEMBLY INSTRUCTIONS

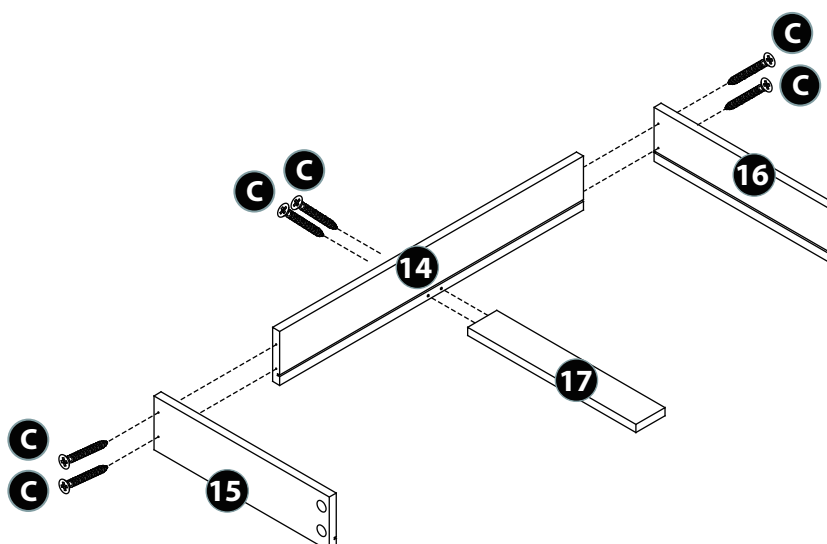
9

Select 11(x1),12(x1),C(x4) and F(x4).Insert 12(x1) into 9 and 10 with C(x4) and F(x4). Install 11 along the grooves of 9 and 10.



10

Select 14(x3),15(x3),16(x3),17(x3) and C(x18).Insert 15(x1),16(x1) and 17(x1) into 14(x1) with C(x6).Repeat for another 14(x2),15(x2),16(x2) and 17(x2).



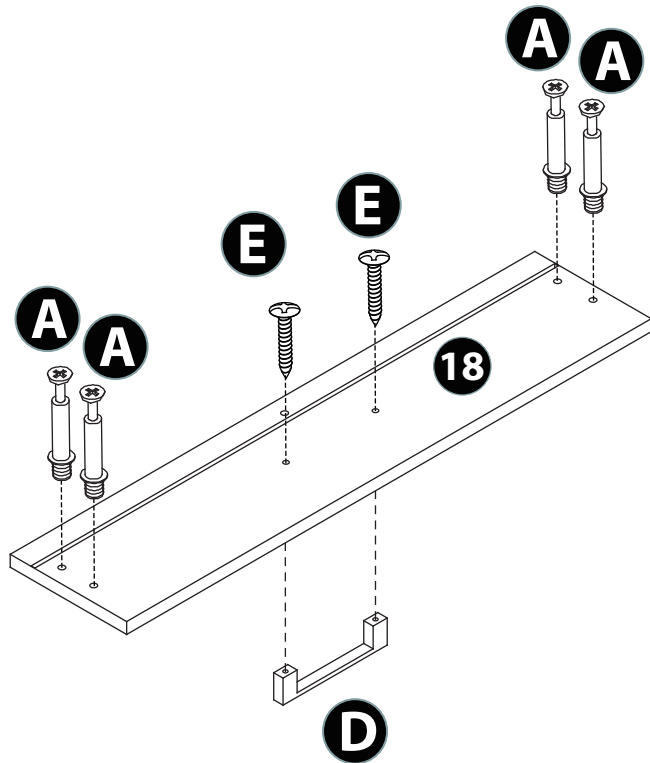
# ASSEMBLY INSTRUCTIONS

**11**

Select 18(x3),A(x12),D(x3) and E(x6).

Insert D(x1) into 18(x1) with E(x2).Insert A(x4) into 18.

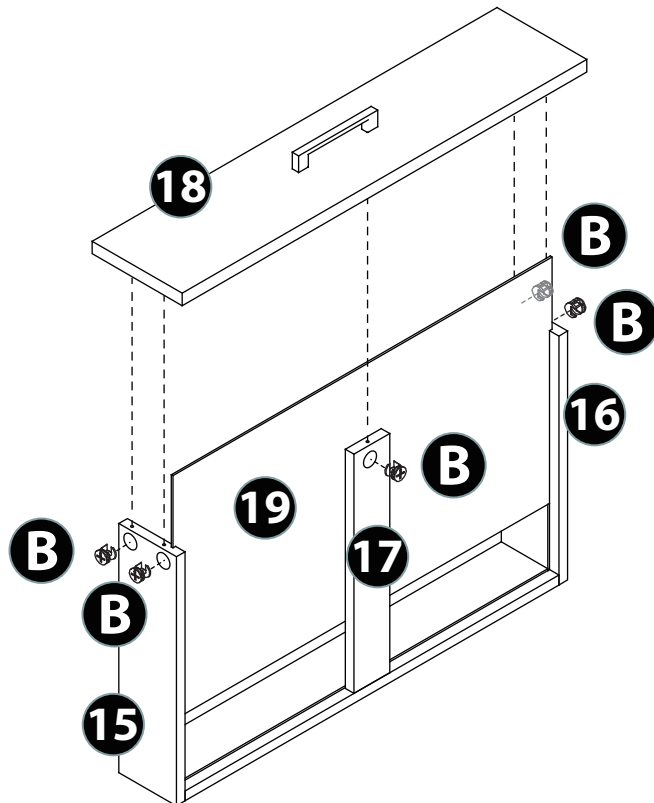
Repeat for other 18(x2).



**12**

Select 19(x3),B(x15).

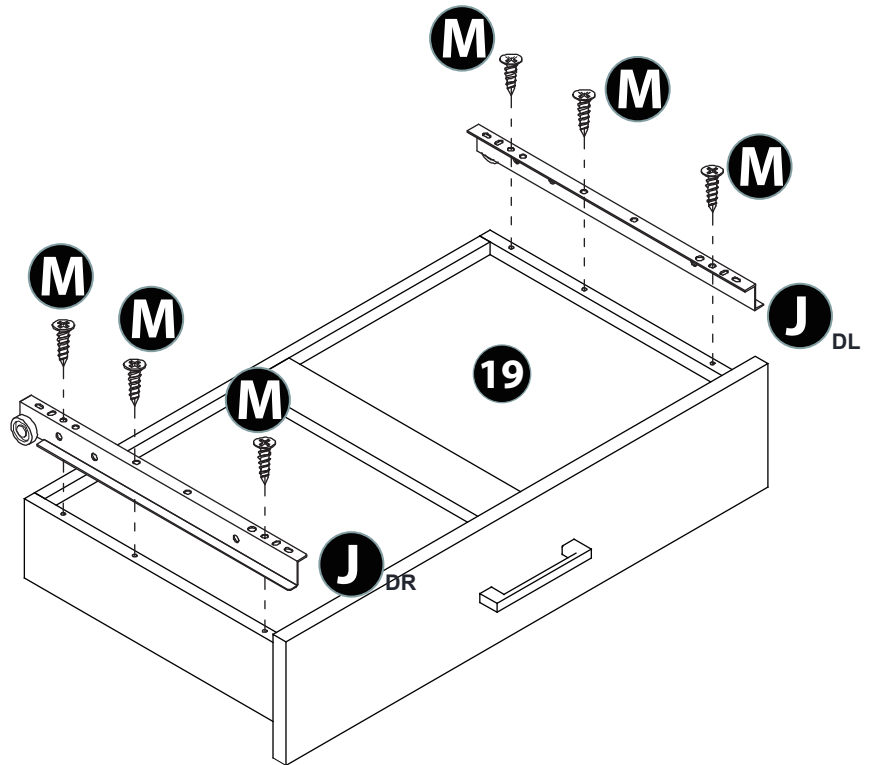
Insert 18(x1) into 15(x1), 16(x1) and 17(x1) with B(x5).Repeat for another 18(x2) .Install 19(x1) along the grooves of 15(x1) and 16(x1).Repeat for another 19(x2).



# ASSEMBLY INSTRUCTIONS

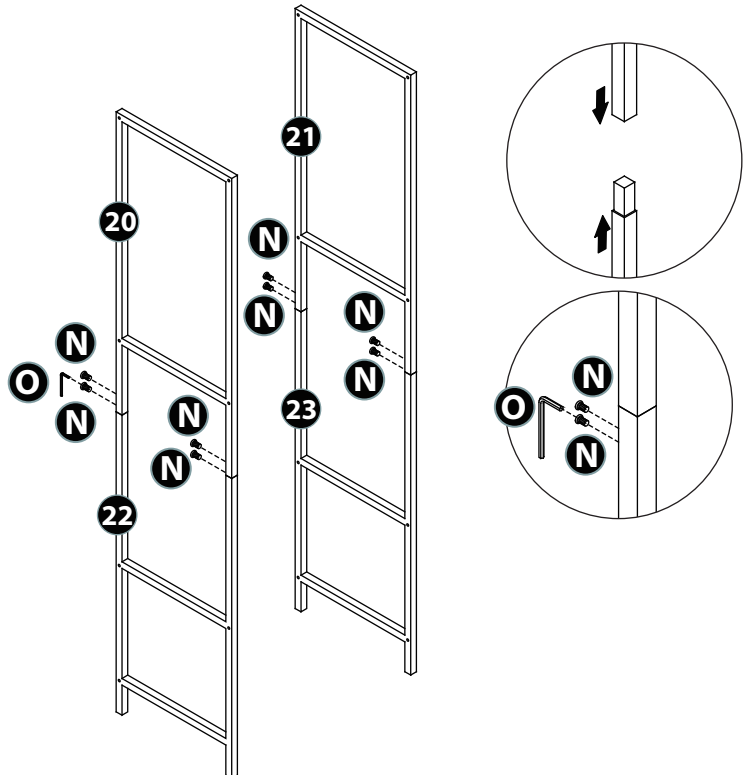
13

Select 19(x3), J<sub>DR</sub>(x3), J<sub>DL</sub>(x3) and M(x18). Insert J<sub>DR</sub>(x1) into 19(x1) with M(x3). Repeat for another J<sub>DR</sub>(x2). Insert J<sub>DL</sub>(x1) into 19(x1) with M(x3). Repeat for another J<sub>DL</sub>(x2).



14

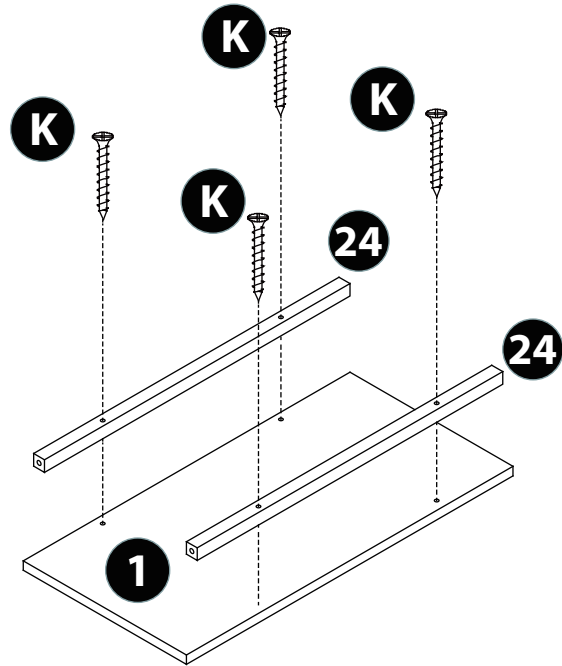
Select 20(x1), 21(x1), 22(x1), 23(x1), O(x1) and N(x8). Insert 20(x1) into 22(x1) with N(x4). Repeat for 21 and 23.



# ASSEMBLY INSTRUCTIONS

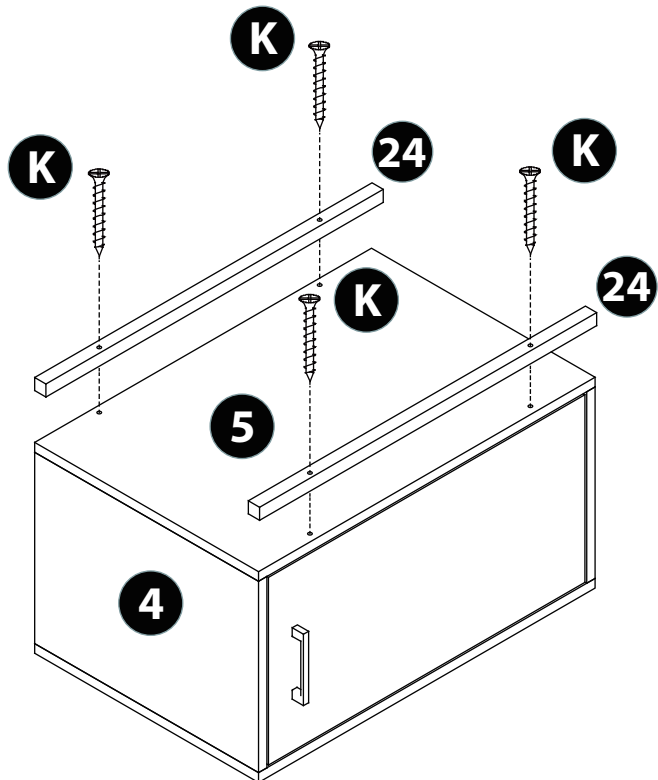
**15**

Select 1(x1),24(x2) and K(x4).  
Insert K(x4) into 24(x2) into  
1.



**16**

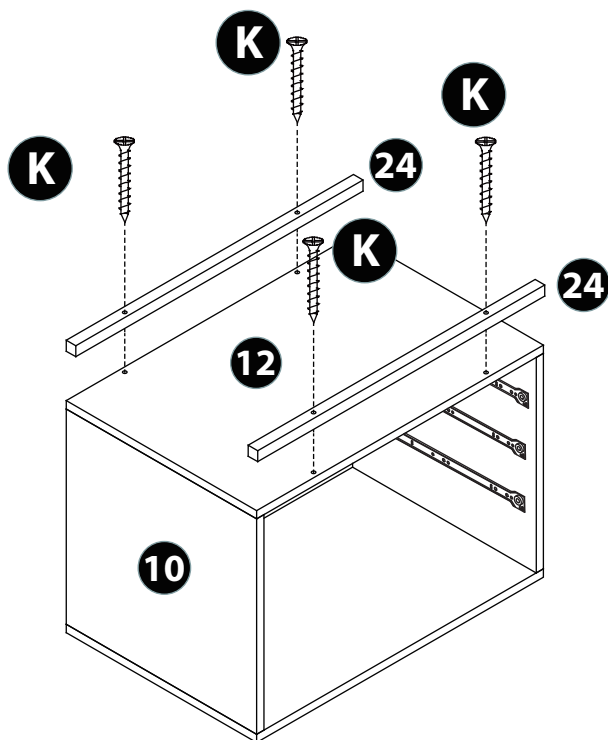
Select 24(x2),K(x4).  
Insert K(x4) into 24(x2) into 5.



# ASSEMBLY INSTRUCTIONS

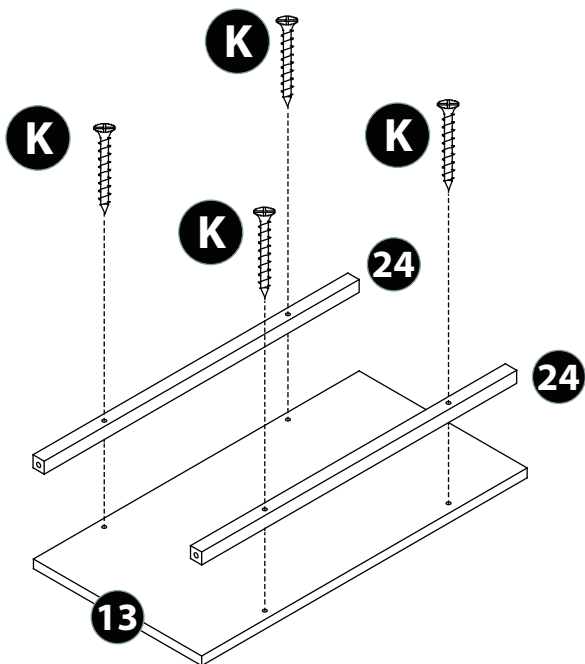
17

Insert K(x4) into 24(x2) into 12.



18

Insert K(x4) into 24(x2) into 13.

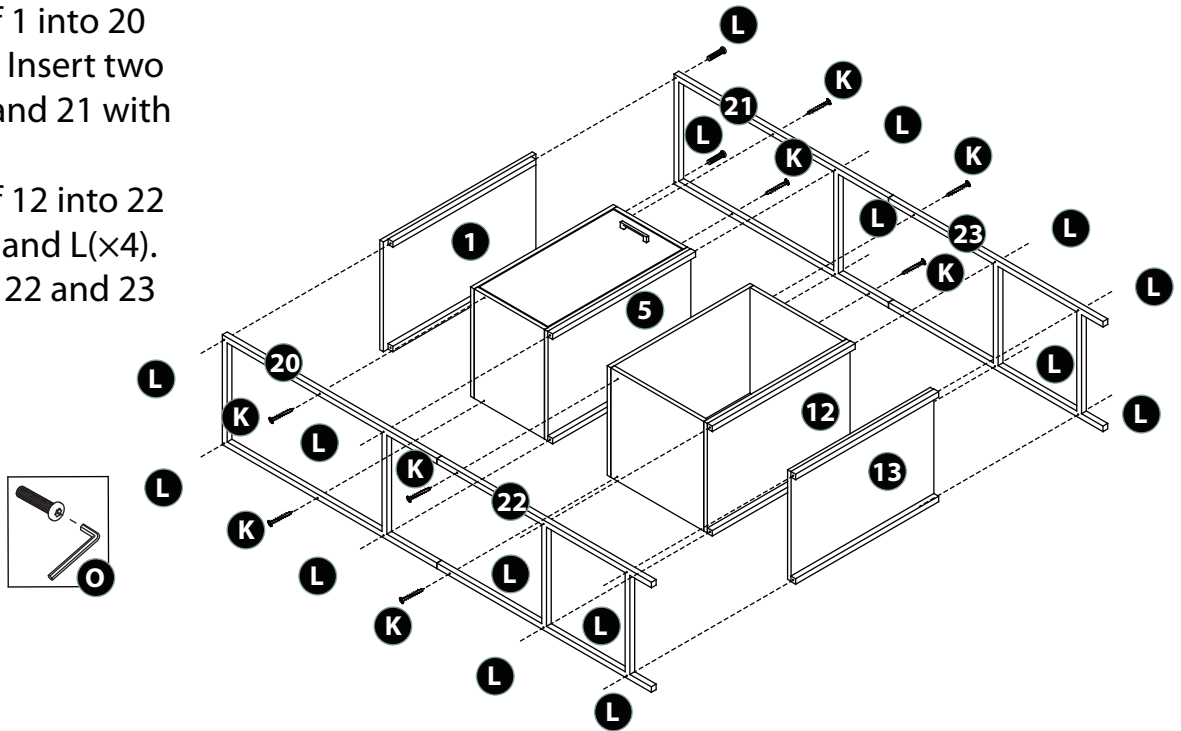


# ASSEMBLY INSTRUCTIONS

19

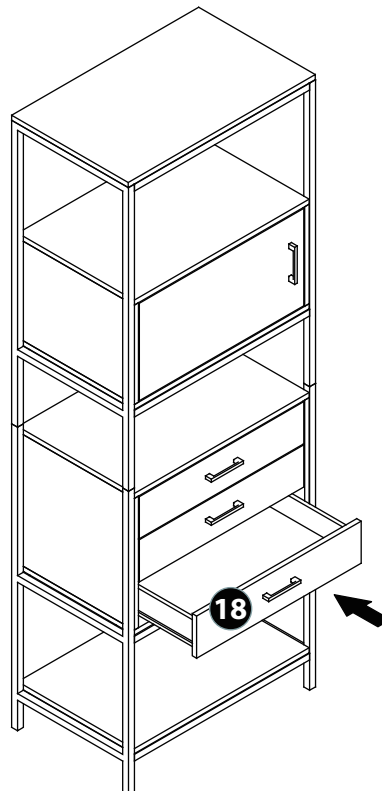
Insert two sides of 1 into 20 and 21 with L(×4). Insert two sides of 5 into 20 and 21 with K(×4) and L(×4).

Insert two sides of 12 into 22 and 23 with K(×4) and L(×4). Repeat for 13 into 22 and 23 with L(×4).



20

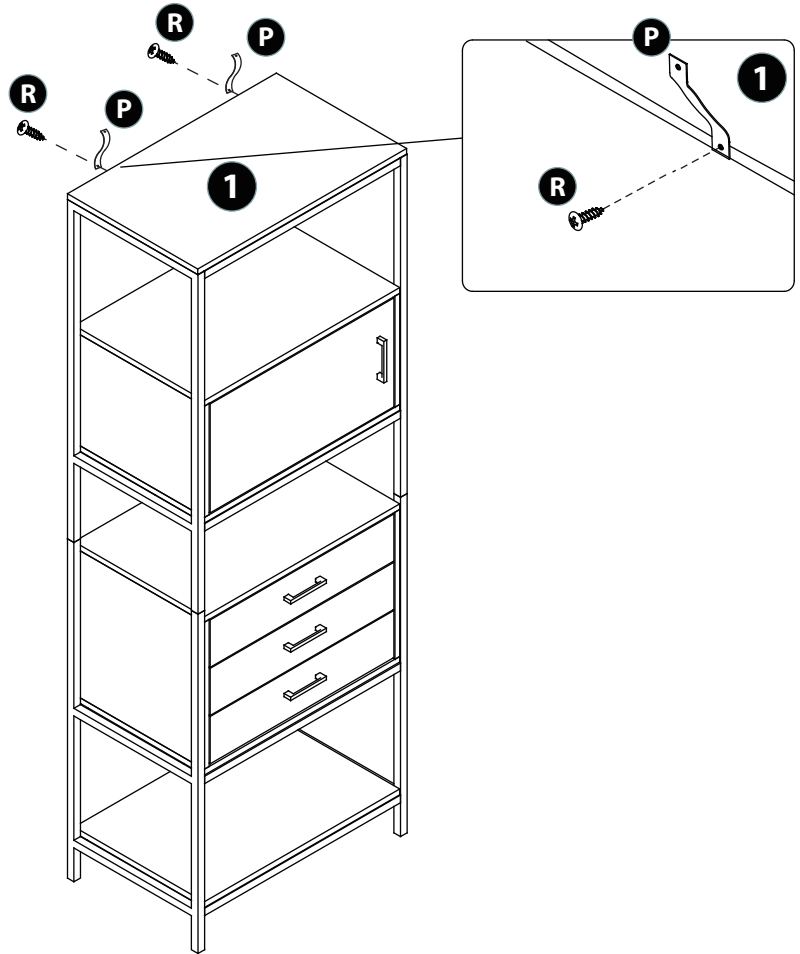
Put Drawers(×3) into the Bookcase.



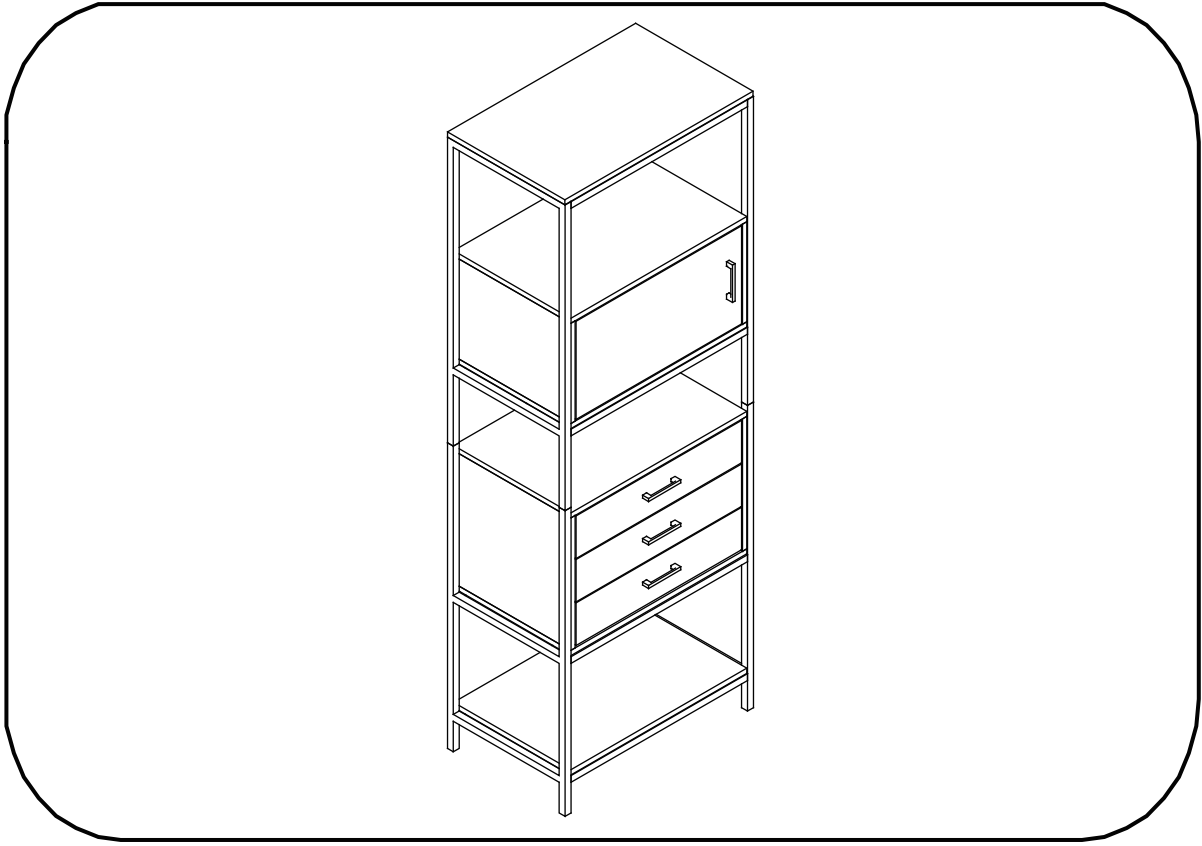
# ASSEMBLY INSTRUCTIONS

21

Insert R(x2) into P(x2) into 1.  
\* NOTE: move unit to wall position, and affix other end of safety straps to wall using proper anchors according to your wall type and local building code.  
\*Consult your local hardware professional and/or builder for further instruction. Failure to use proper anchor hardware and proper installation could result in unsafe unit tip-over.



# ASSEMBLY COMPLETE



**CONGRATULATIONS, YOUR BOOKCASE WITH STORAGE IS  
COMPLETE!**