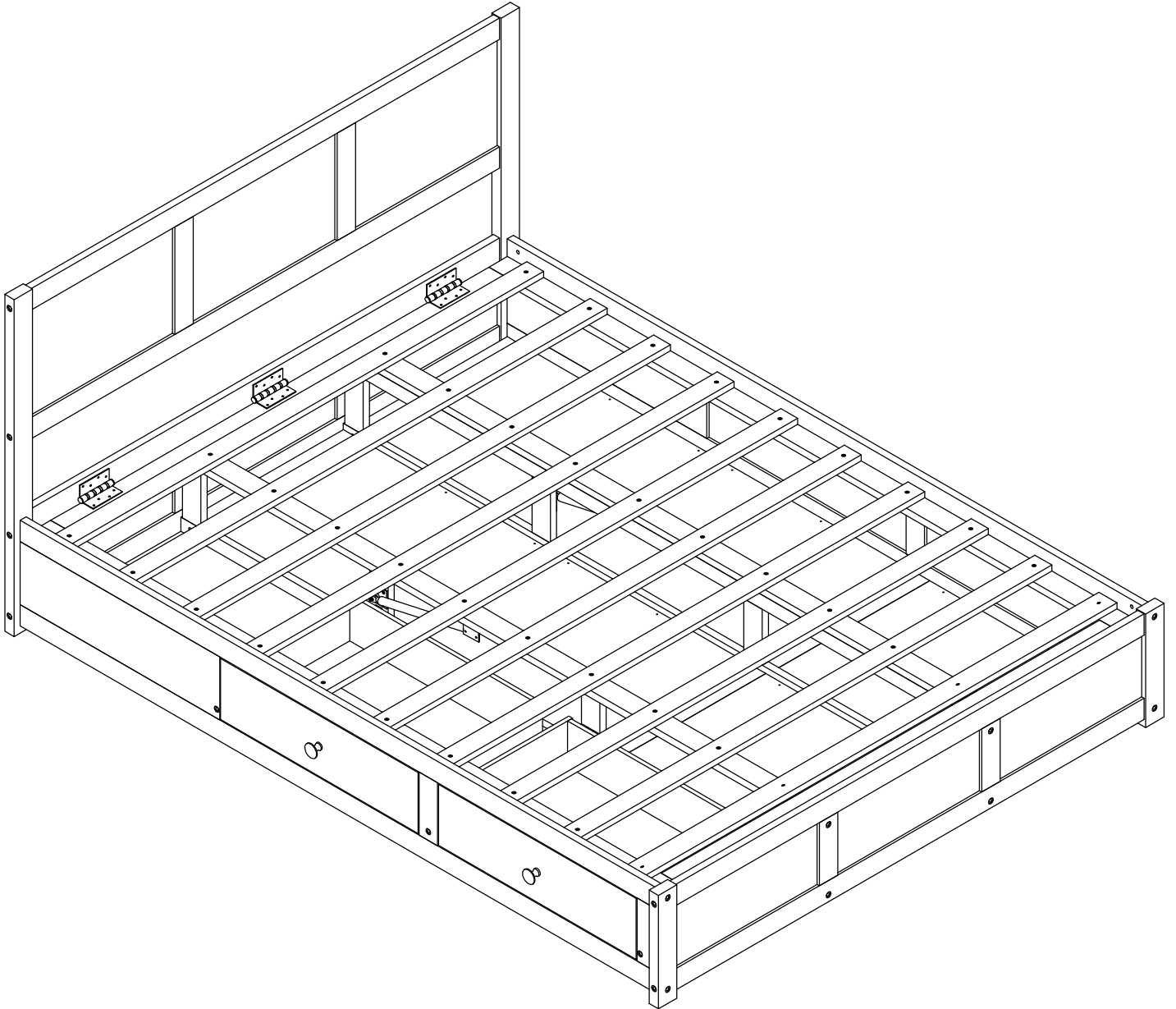
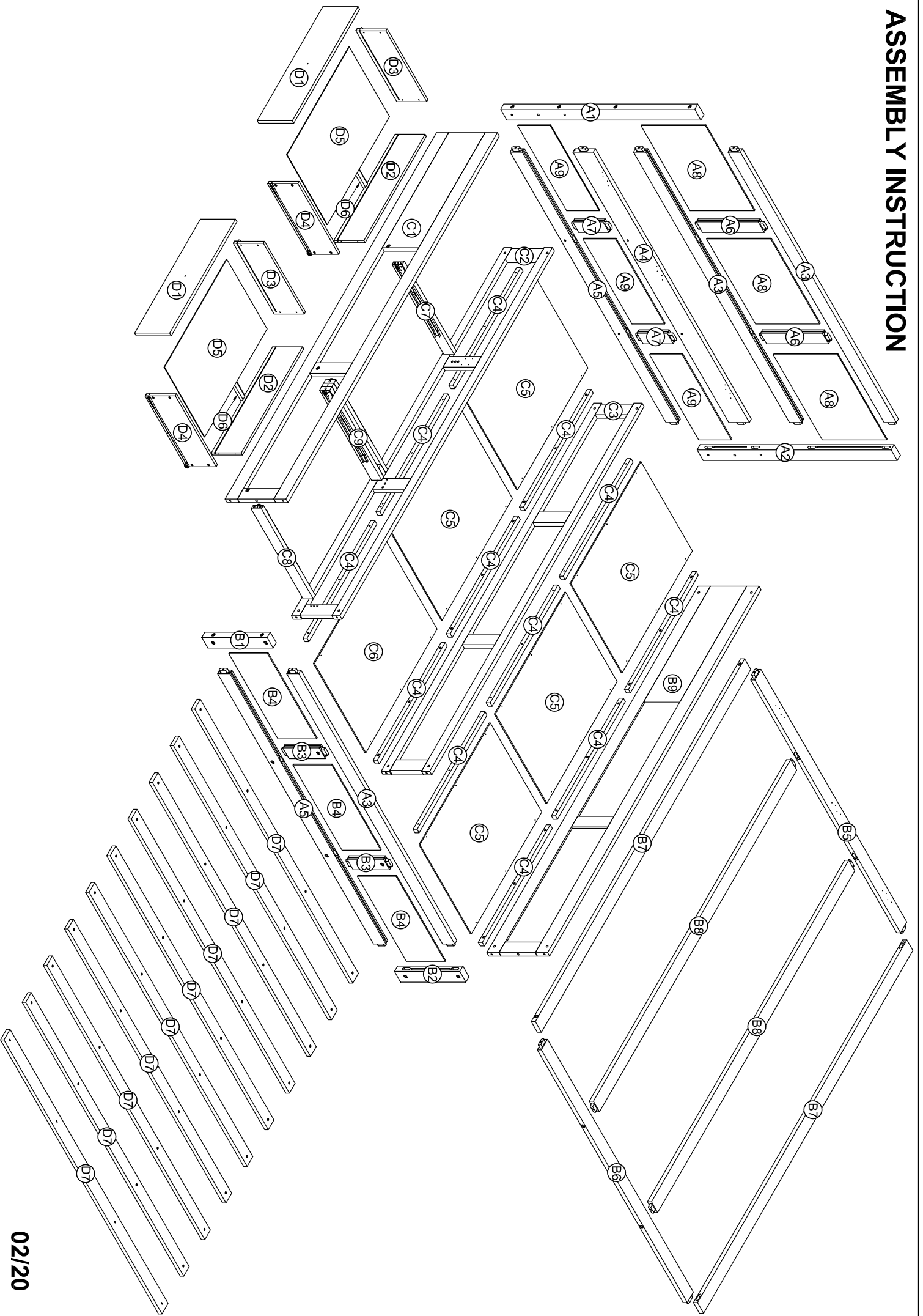


# ASSEMBLY INSTRUCTION

SKU CODE: (SP0822010)

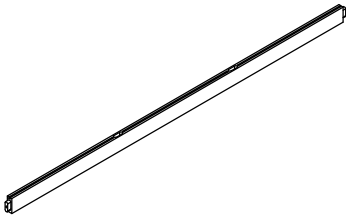


# ASSEMBLY INSTRUCTION



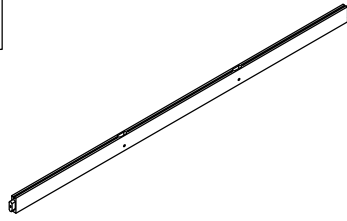
# Part List (Box 1 - SP0822010)

A3



WoodBar-3pcs

A5



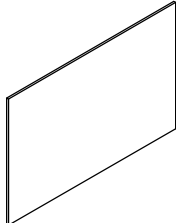
WoodBar-1pc

A6



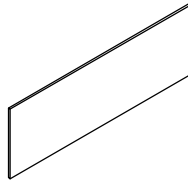
WoodBar-2pcs

A8



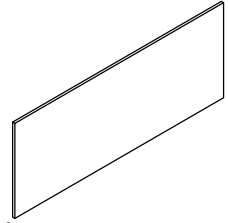
Panel-3pcs

A9



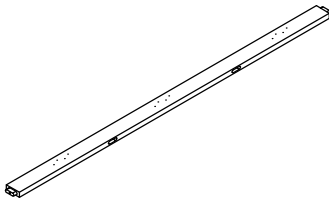
Panel-3pcs

B4



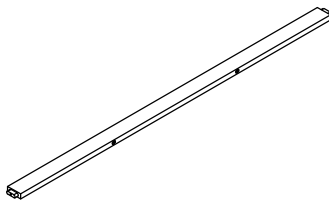
Panel-3pcs

B5



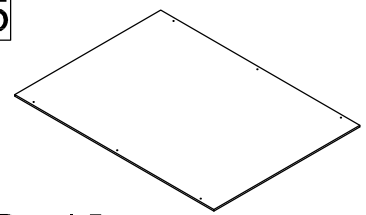
WoodBar-1pc

B6



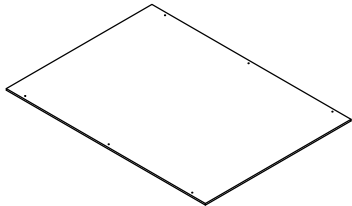
WoodBar-1pc

C5



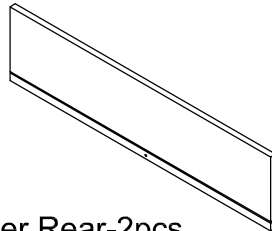
Panel-5pcs

C6



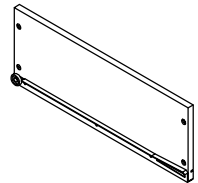
Panel-1pc

D2



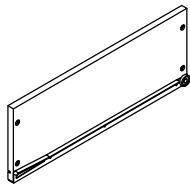
Drawer Rear-2pcs

D3



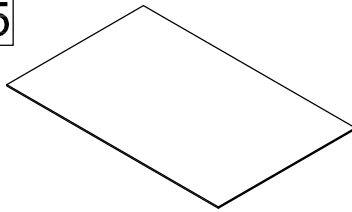
Drawer Left-2pcs

D4



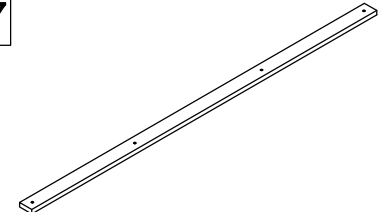
Drawer Right-2pcs

D5





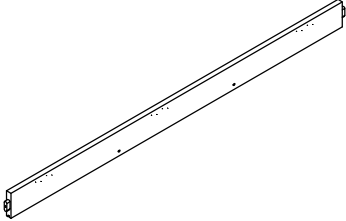
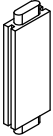



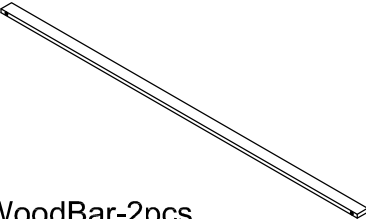
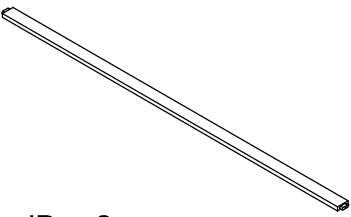
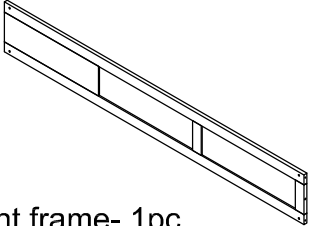
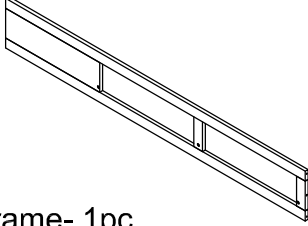
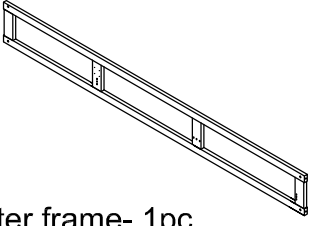
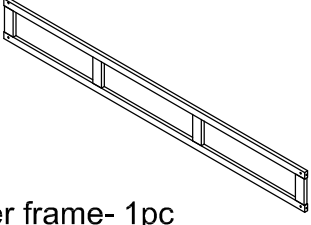
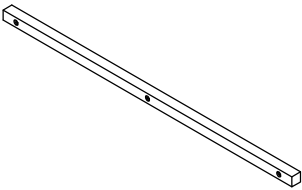
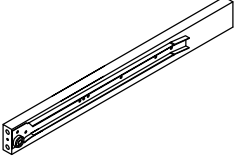
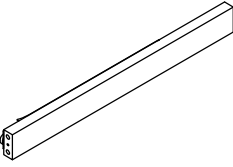
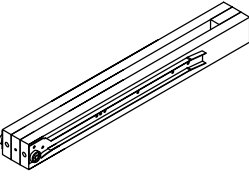
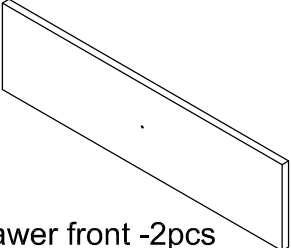
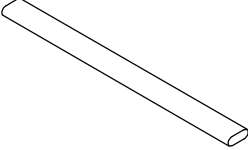
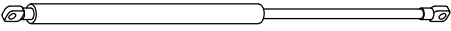
Drawer Bottom Panels-2pcs

D7

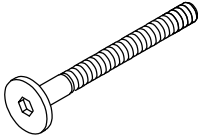
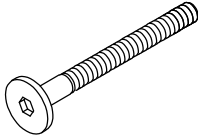
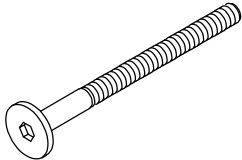
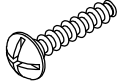
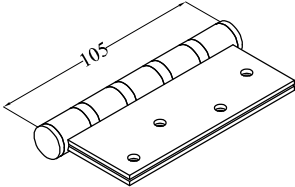
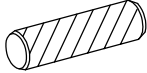
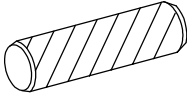

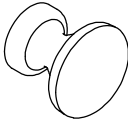
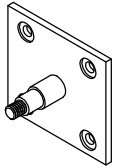
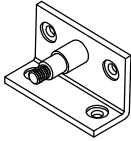
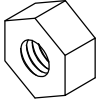
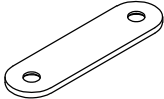


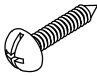
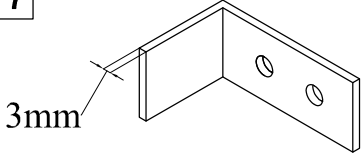
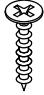

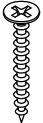


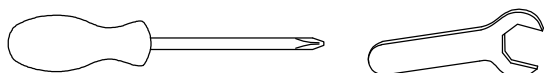
Slats-10pcs

# Part List & Hardware List (Box 2 - SP0822010)

<p><b>A1</b></p>  <p>Leg-1pc</p>	<p><b>A2</b></p>  <p>Leg-1pc</p>	<p><b>A4</b></p>  <p>WoodBar-1pc</p>
<p><b>A7</b></p>  <p>WoodBar-2pcs</p>	<p><b>B1</b></p>  <p>Leg-1pc</p>	<p><b>B2</b></p>  <p>Leg-1pc</p>
<p><b>B3</b></p>  <p>WoodBar-2pcs</p>	<p><b>B7</b></p>  <p>WoodBar-2pcs</p>	<p><b>B8</b></p>  <p>WoodBar-2pcs</p>
<p><b>B9</b></p>  <p>Right frame- 1pc</p>	<p><b>C1</b></p>  <p>Left frame- 1pc</p>	<p><b>C2</b></p>  <p>Center frame- 1pc</p>
<p><b>C3</b></p>  <p>Center frame- 1pc</p>	<p><b>C4</b></p>  <p>WoodBar-12pcs</p>	<p><b>C7</b></p>  <p>WoodBar-1pc</p>
<p><b>C8</b></p>  <p>WoodBar-1pc</p>	<p><b>C9</b></p>  <p>WoodBar-1pc</p>	<p><b>D1</b></p>  <p>Drawer front -2pcs</p>
<p><b>D6</b></p>  <p>WoodBar-2pcs</p>	<p><b>D8</b></p> <p>300N</p>  <p>Piston Steam-2pcs</p>	

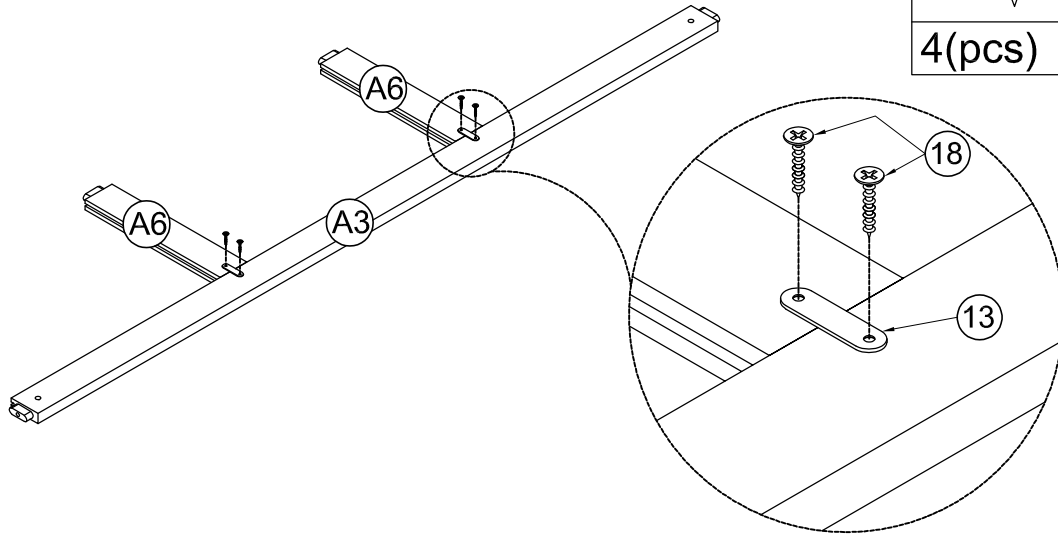
# Hardware List (Box 2 - SP0822010)

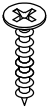
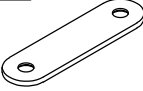
<p>1</p>  <p>Ø1/4" x 70 mm Hex-Head bolts 8pcs</p>	<p>2</p>  <p>Ø1/4" x 80 mm Hex-Head bolts 8pcs</p>	<p>3</p>  <p>Ø1/4" x 100 mm Hex-Head bolts 20pcs</p>
<p>4</p>  <p>Bolts 1/6" x25 2pcs</p>	<p>5</p>  <p>Hinge 3pcs</p>	<p>6</p>  <p>Ø8 x 30 mm Wood dowel 12pcs</p>
<p>7</p>  <p>Ø8 x 40 mm Wood dowel 4pcs</p>	<p>8</p>  <p>Ø1/4" x 13 mm Horizontal-Hole bolts 36pcs</p>	<p>9</p>  <p>Handle Wood 2pcs</p>
<p>10</p>  <p>Metal 2pcs</p>	<p>11</p>  <p>Metal 2pcs</p>	<p>12</p>  <p>Nut 4pcs</p>
<p>13</p>  <p>Metal 12pcs</p>	<p>14</p>  <p>Allen Key 2pcs</p>	<p>15</p>  <p>Screws 1/4" x50 6pcs</p>
<p>16</p>  <p>M4 x 15 mm Wood Screws 36pcs</p>	<p>17</p>  <p>3mm Angle Metal 8pcs</p>	<p>18</p>  <p>M4 x 15 mm Wood Screws 40pcs</p>
<p>19</p>  <p>M4 x 20 mm Wood Screws 36pcs</p>	<p>20</p>  <p>M4 x 30 mm Wood Screws 94pcs</p>	



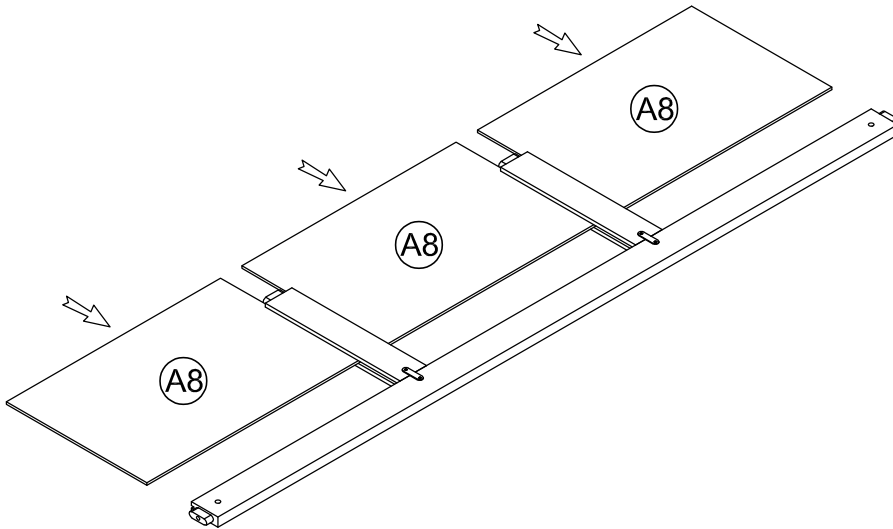
Assembly Tools Required (Not Included)

**STEP1:** Following below illustration.

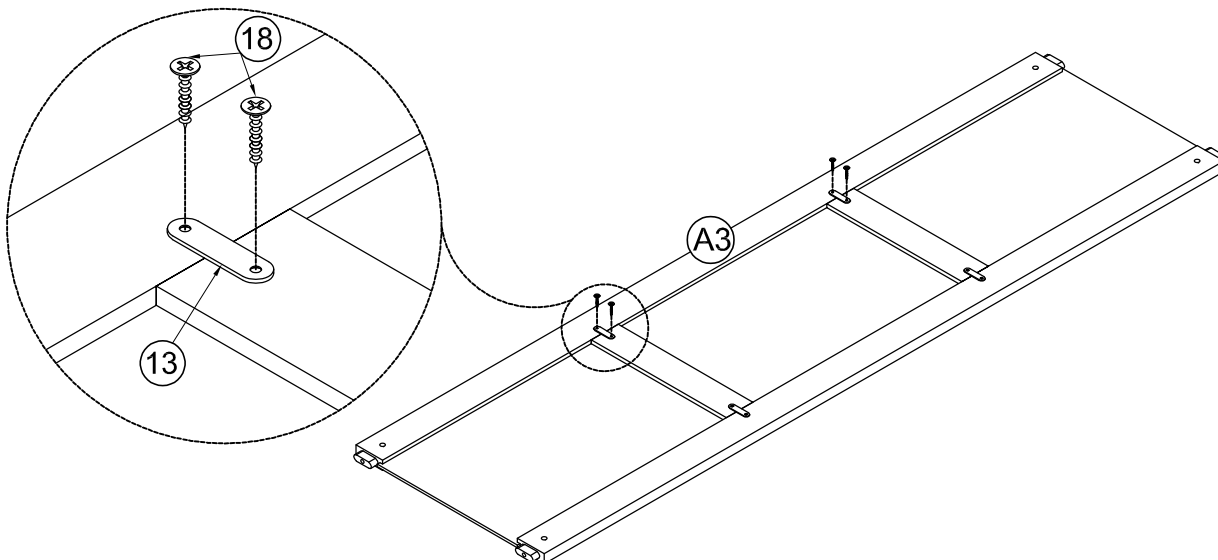


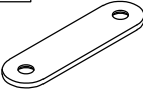

18		13	
4(pcs)		2(pcs)	

**STEP2:** Following below illustration.

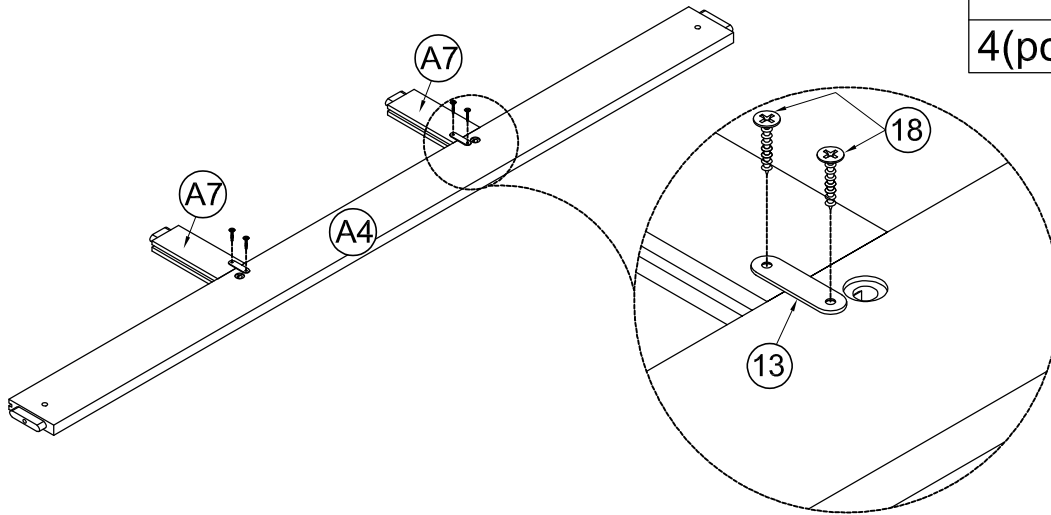


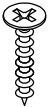
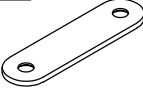
**STEP3:** Following below illustration.



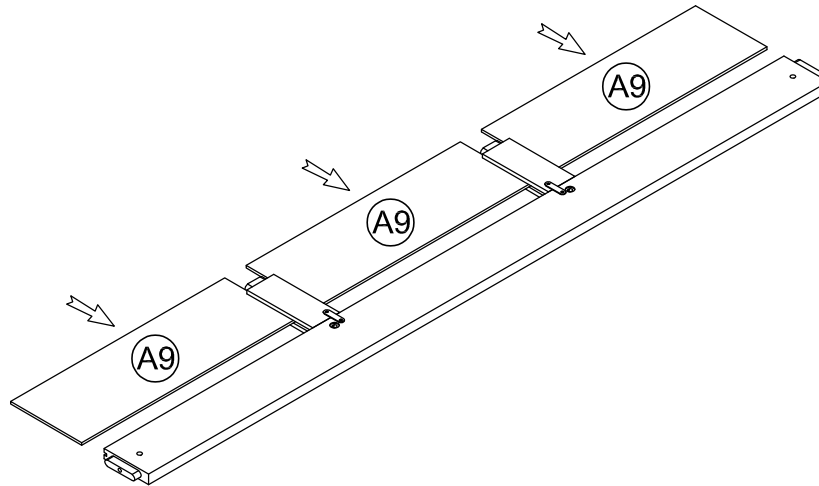
13	
2(pcs)	
18	
4(pcs)	

**STEP4:** Following below illustration.

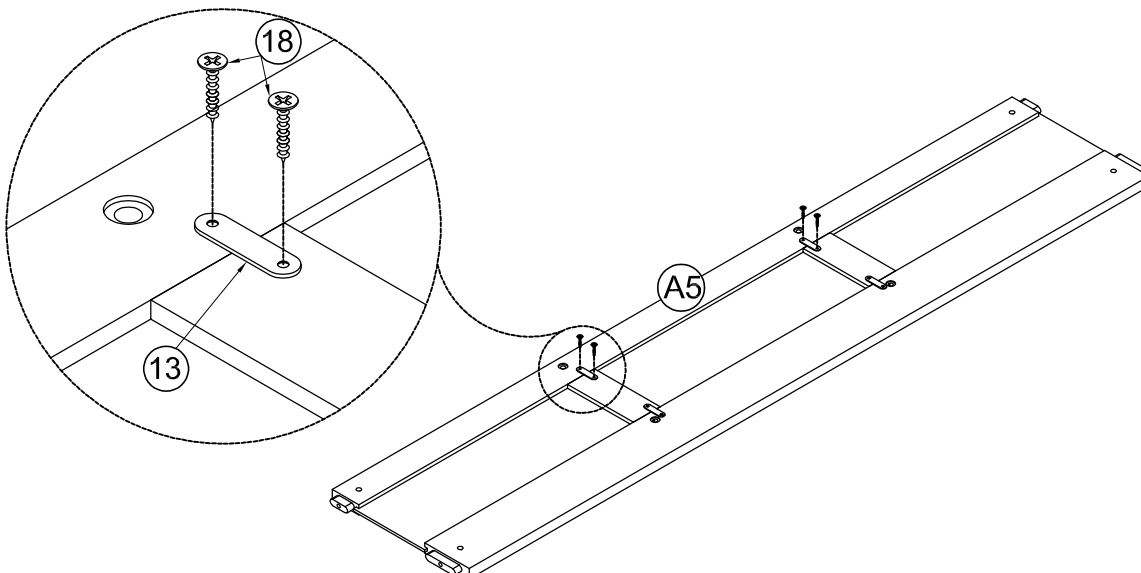


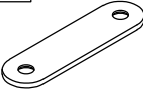

18		13	
4(pcs)		2(pcs)	

**STEP5:** Following below illustration.

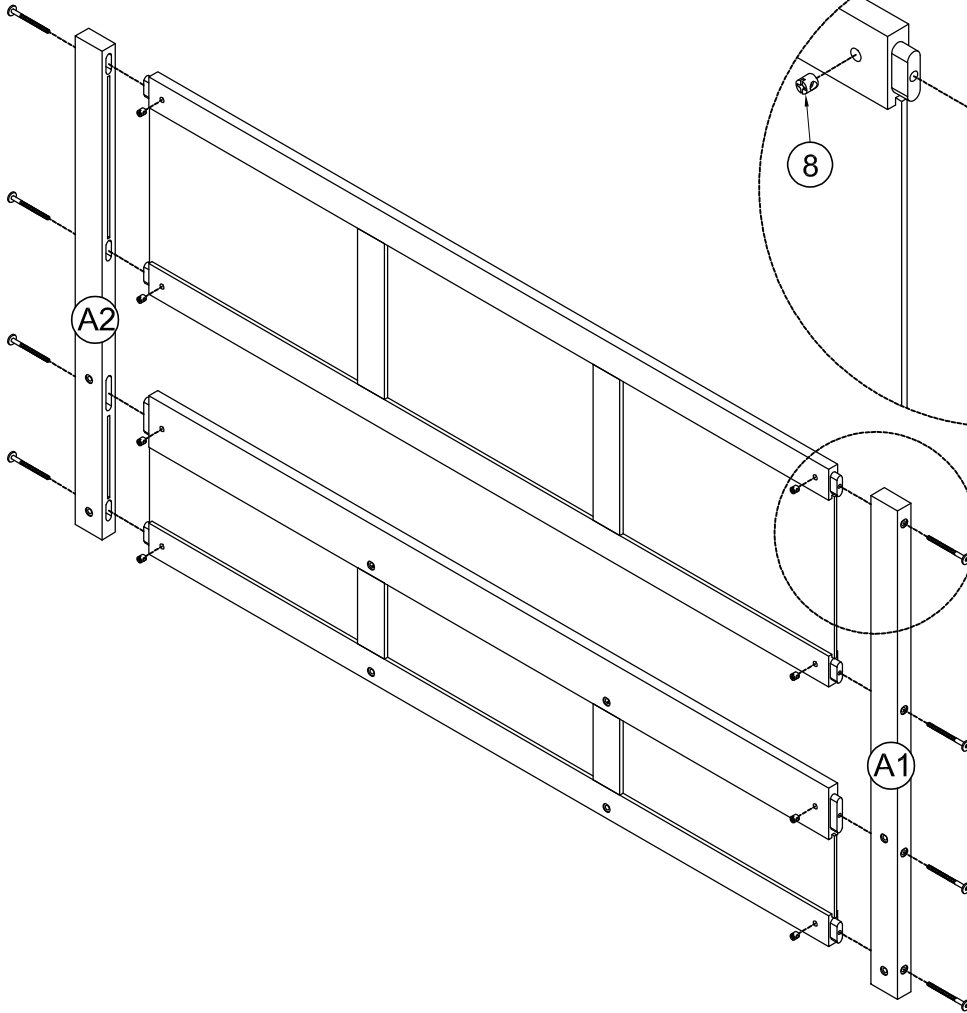


**STEP6:** Following below illustration.

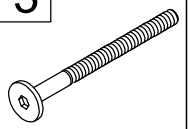


13	
2(pcs)	
18	
4(pcs)	

**STEP7:** Following below illustration.



3



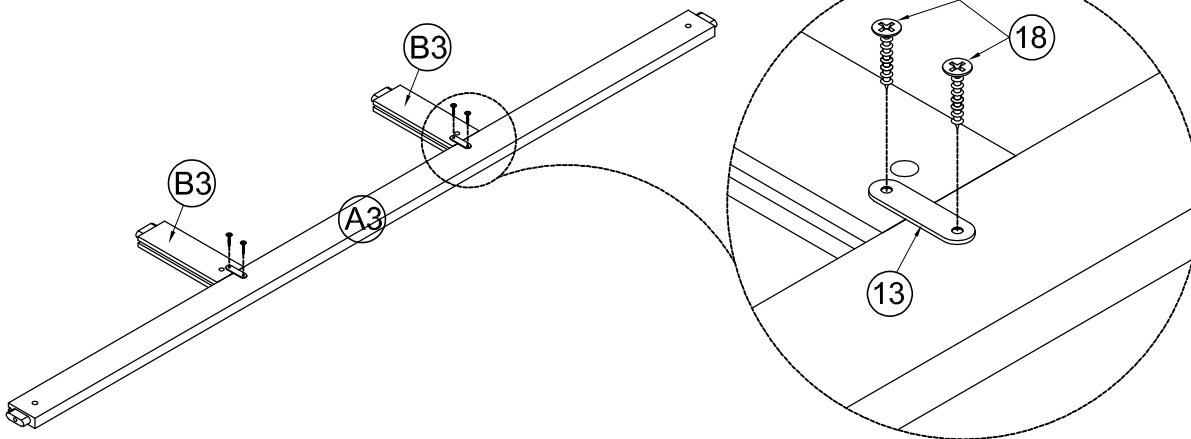
8(pcs)

8

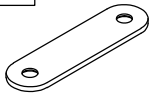


8(pcs)

**STEP8:** Following below illustration.



13



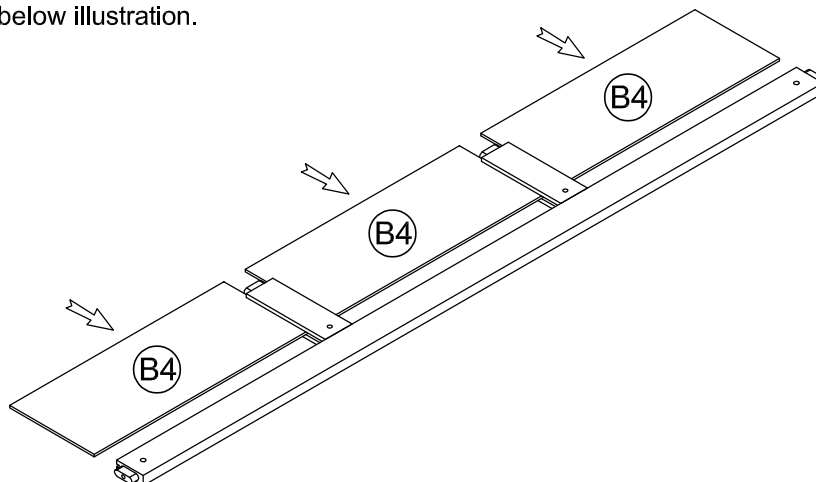
2(pcs)

18

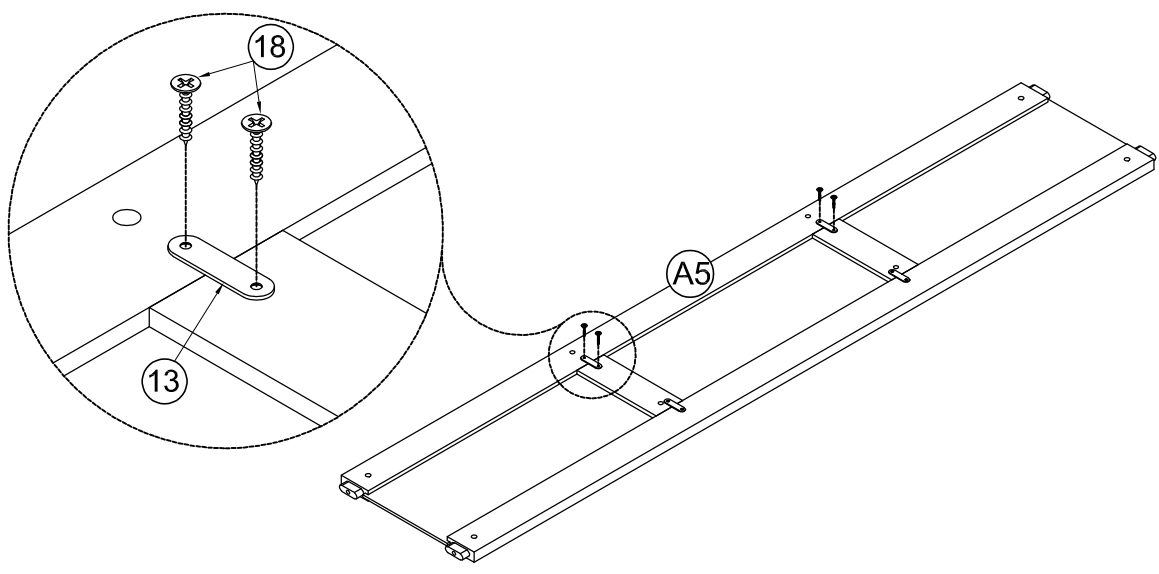


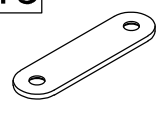

4(pcs)

**STEP9:** Following below illustration.

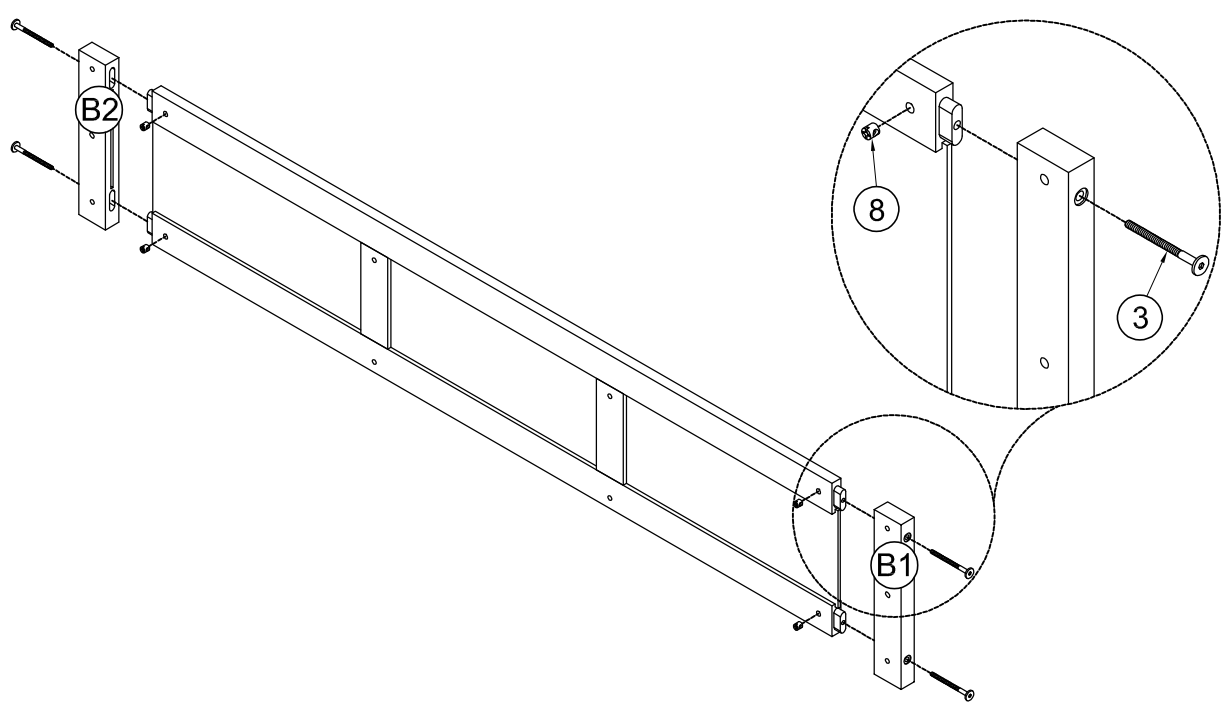


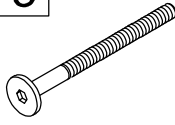
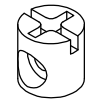
**STEP10:** Following below illustration.



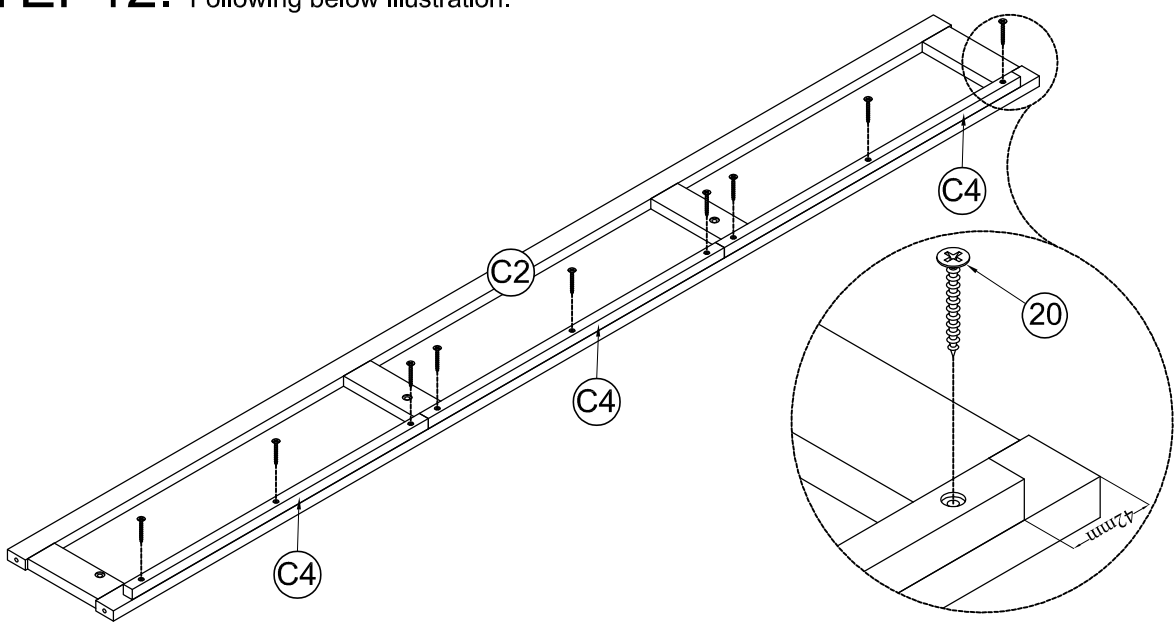
- 13 
- 2(pcs)
- 18 
- 4(pcs)


**STEP11:** Following below illustration.




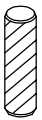
- 3 
- 4(pcs)
- 8 
- 4(pcs)

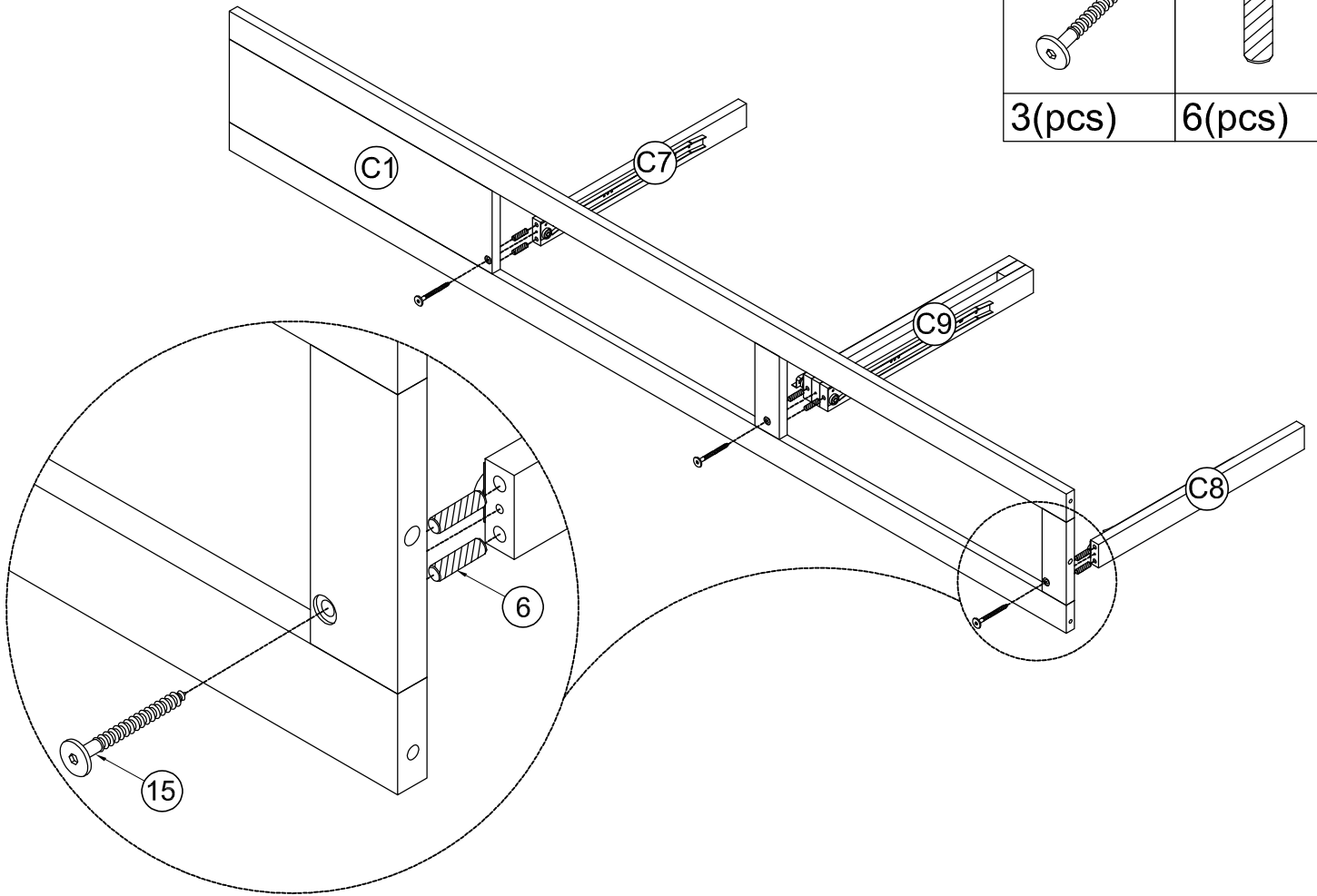
**STEP12:** Following below illustration.



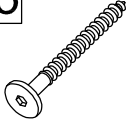
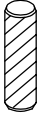
- 20 
- 9(pcs)

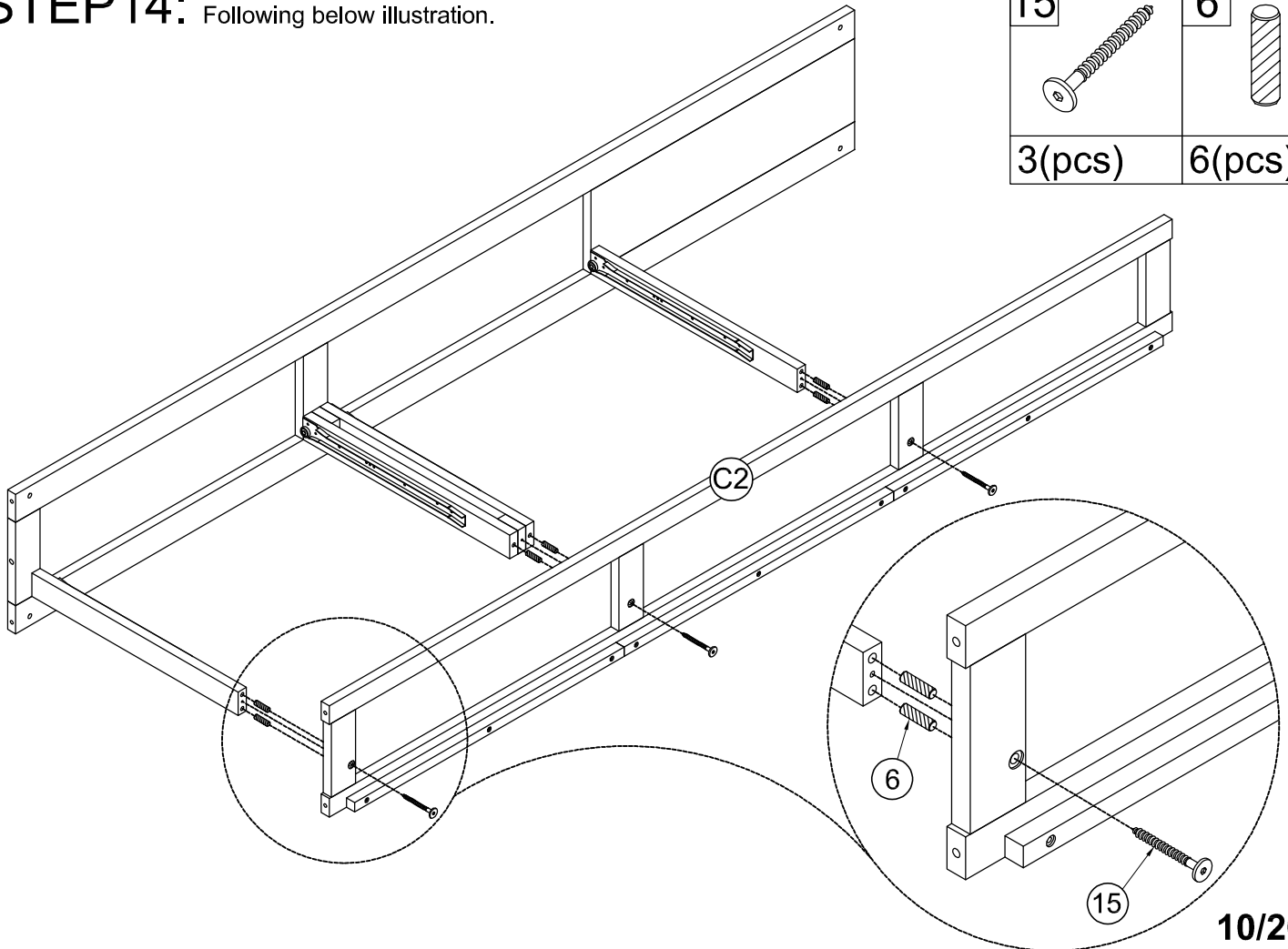
**STEP13:** Following below illustration.

15		6	
3(pcs)		6(pcs)	

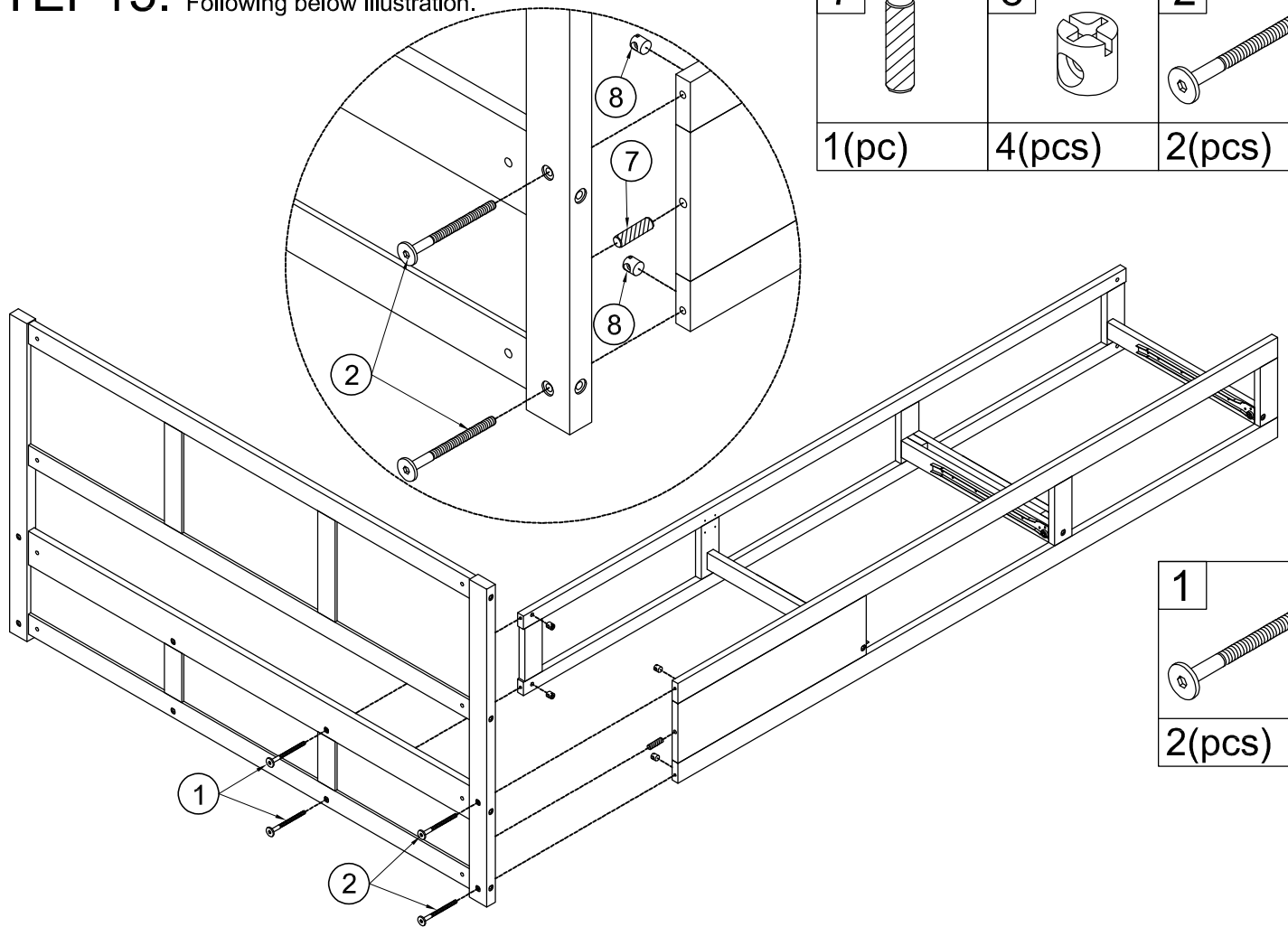


**STEP14:** Following below illustration.

15		6	
3(pcs)		6(pcs)	



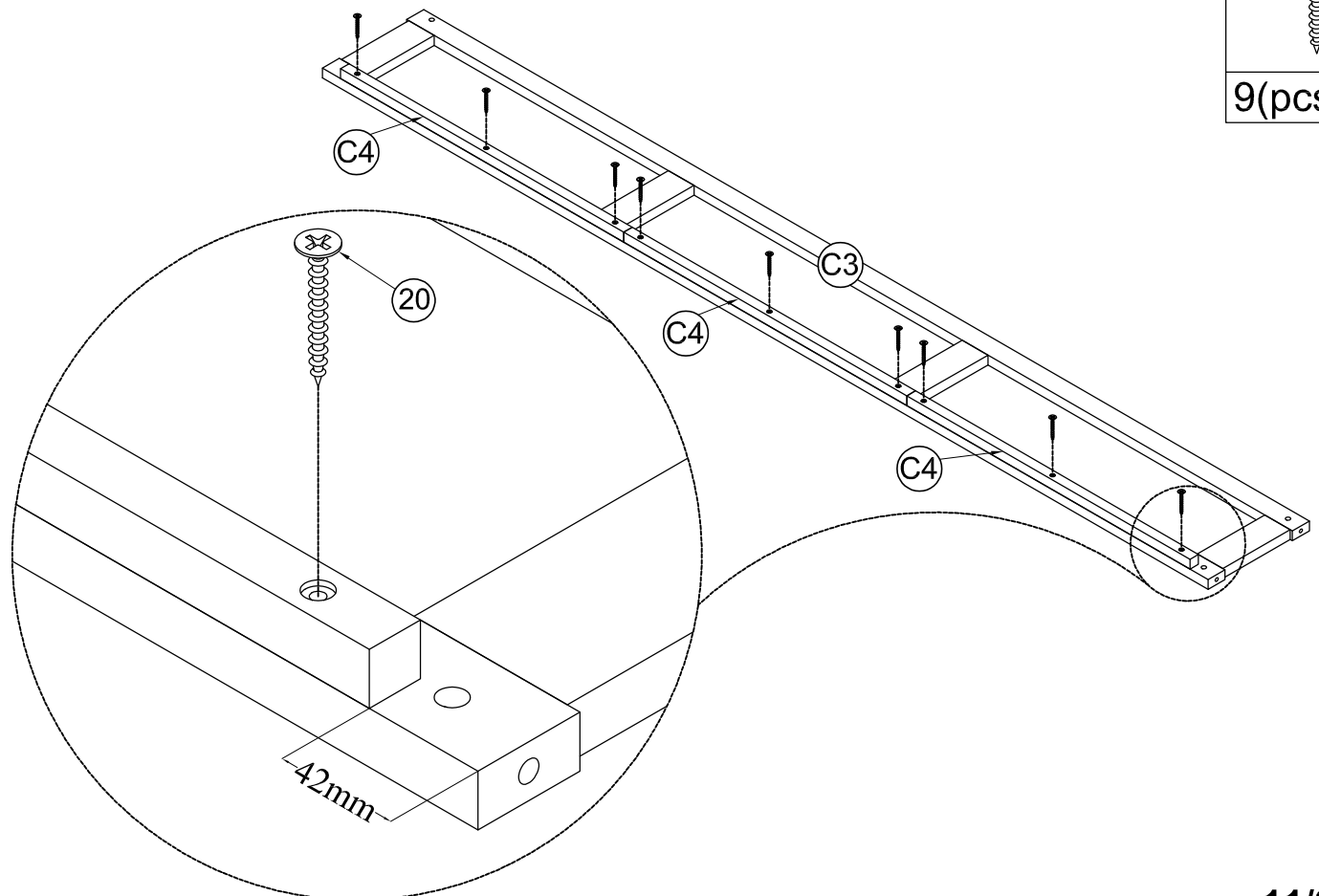
**STEP15:** Following below illustration.



7		8		2	
	1(pc)		4(pcs)		2(pcs)

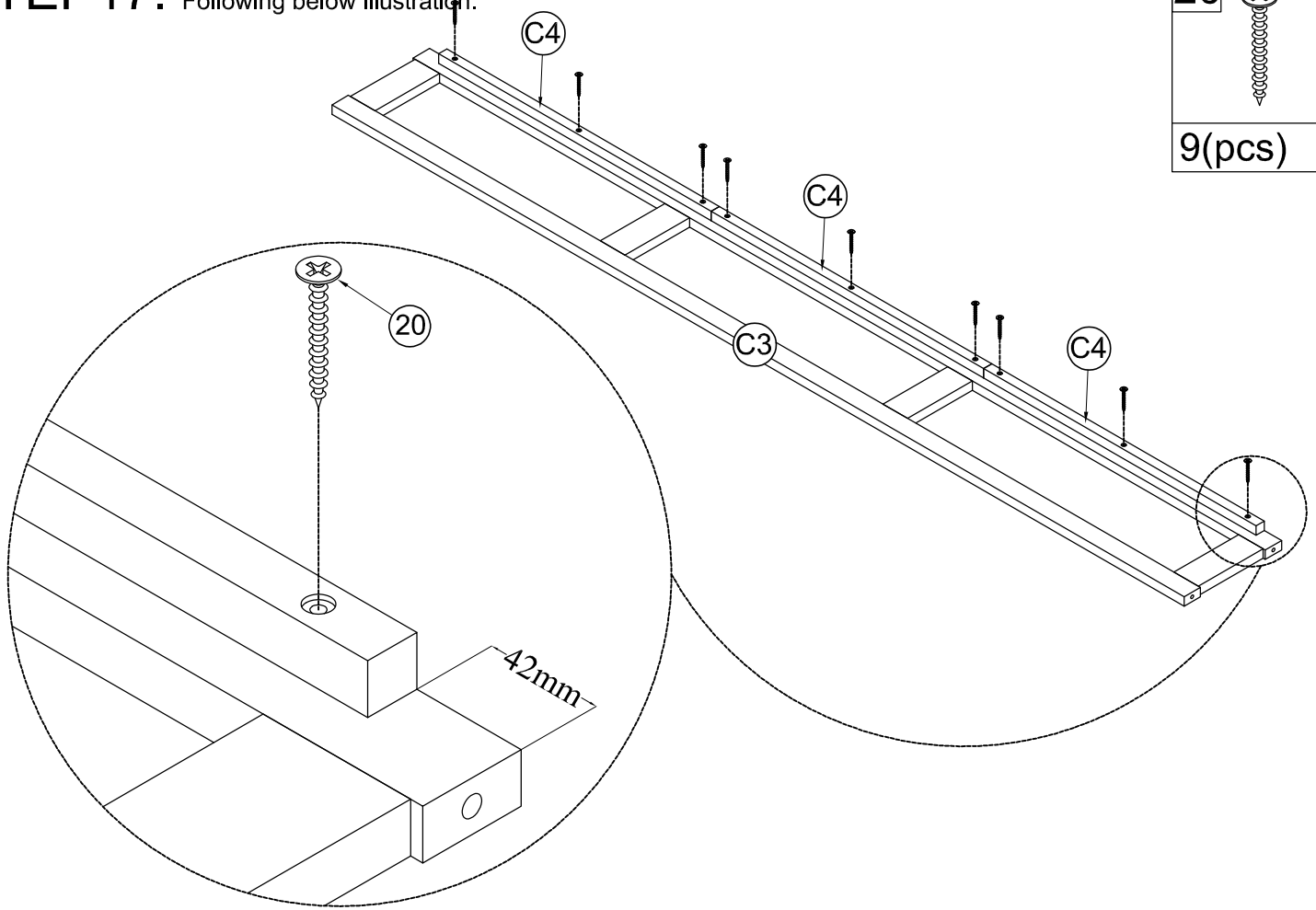
1	
	2(pcs)


**STEP16:** Following below illustration.



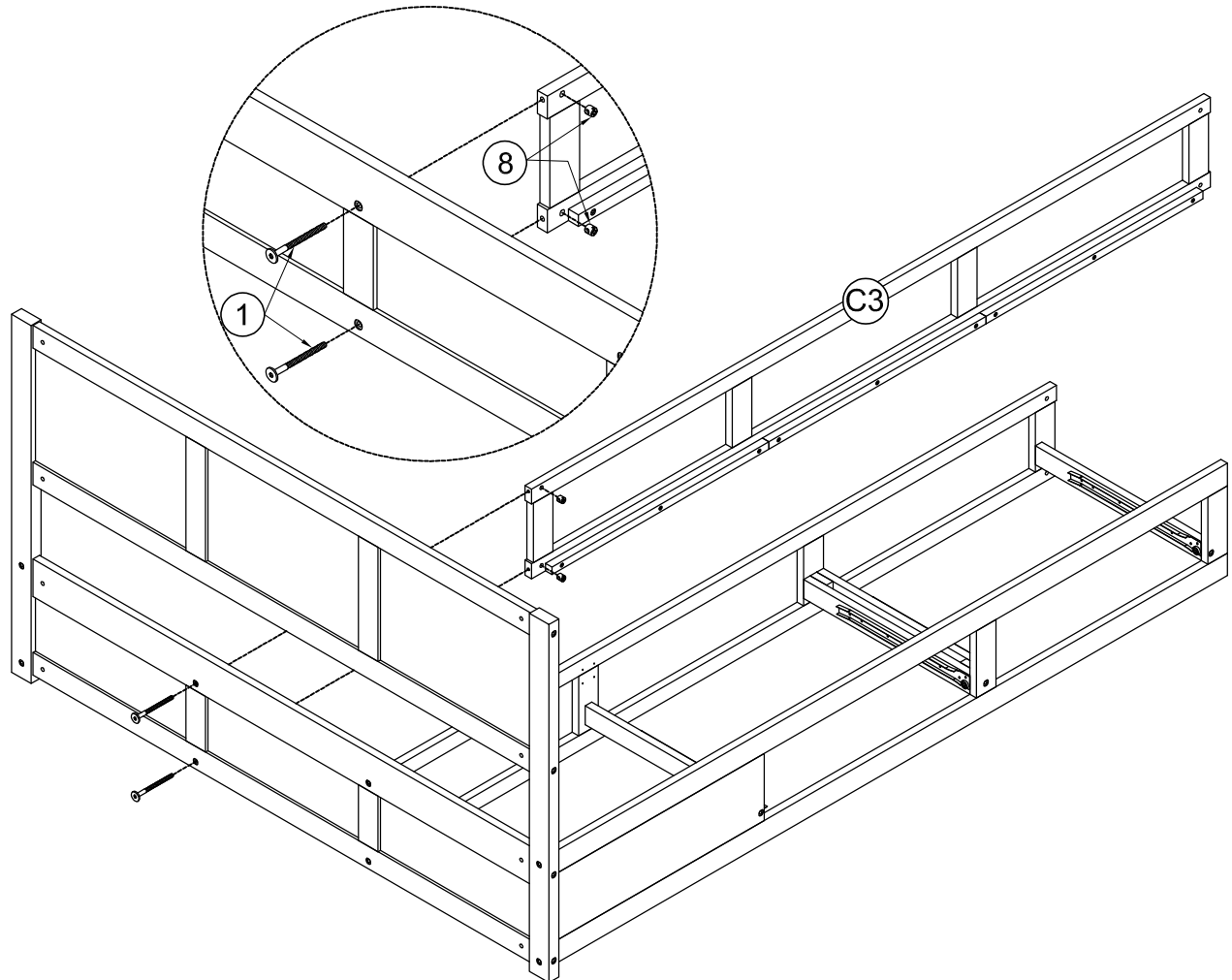
20	
	9(pcs)

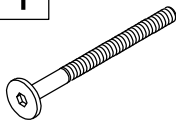
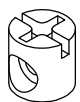
**STEP17:** Following below illustration.




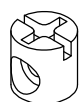
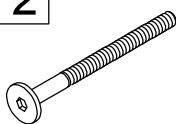
- 20 
- 9(pcs)

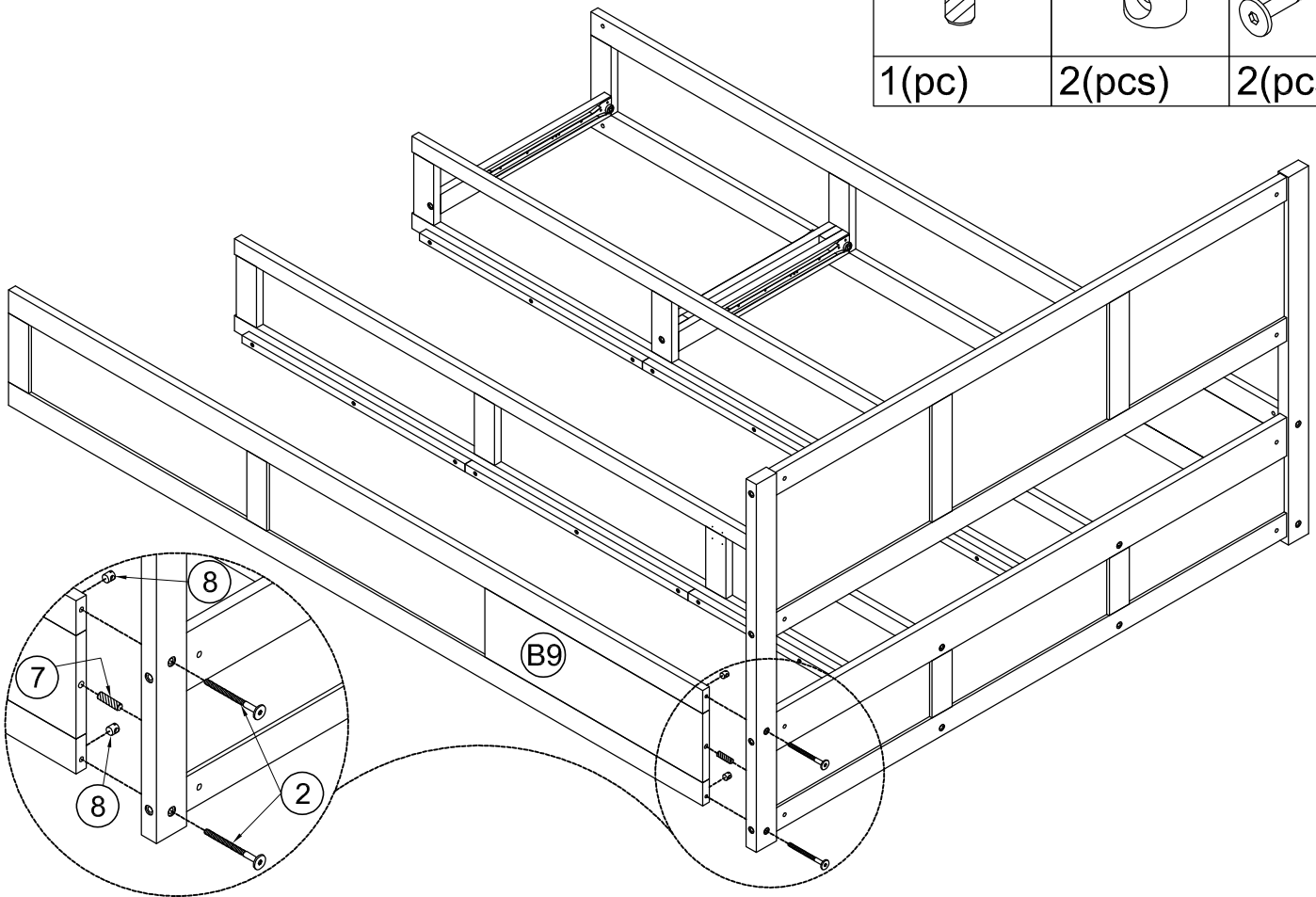
**STEP18:** Following below illustration.



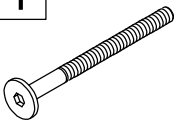


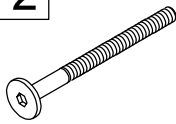
- 1 
- 2(pcs)
- 8 
- 2(pcs)

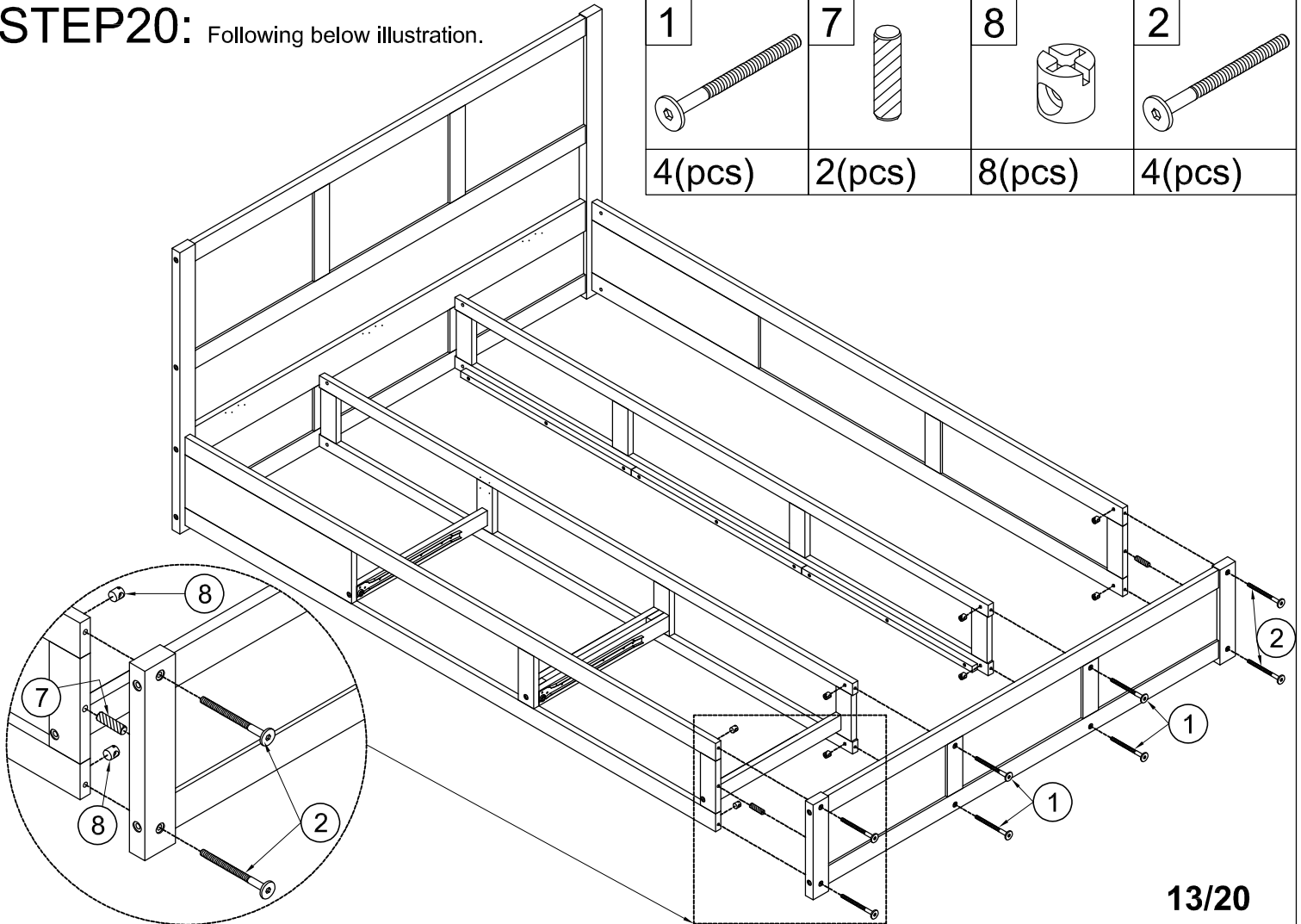
**STEP19:** Following below illustration.

7		8		2	
1(pc)		2(pcs)		2(pcs)	

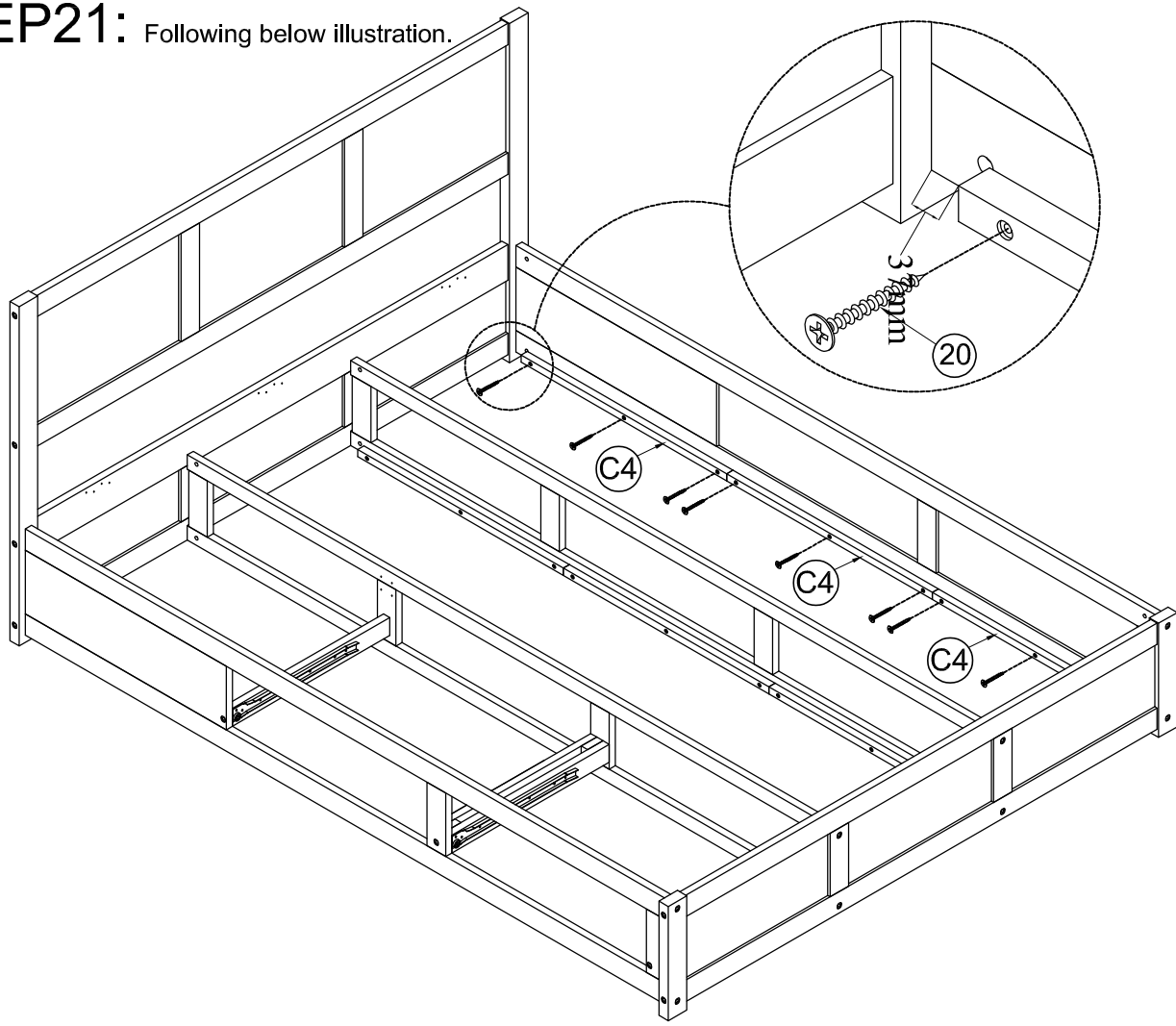


**STEP20:** Following below illustration.

1		7		8		2	
4(pcs)		2(pcs)		8(pcs)		4(pcs)	

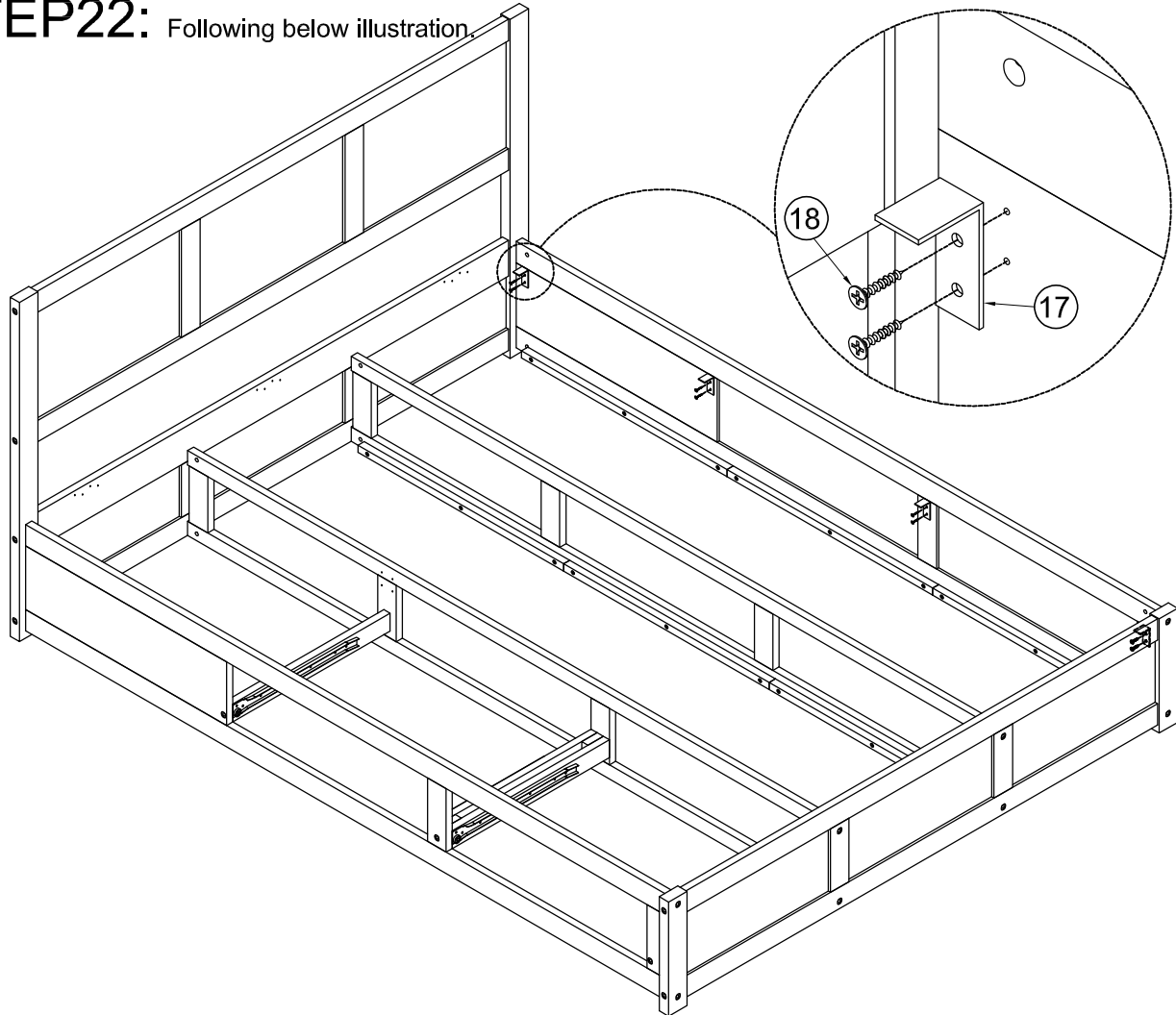


**STEP21:** Following below illustration.



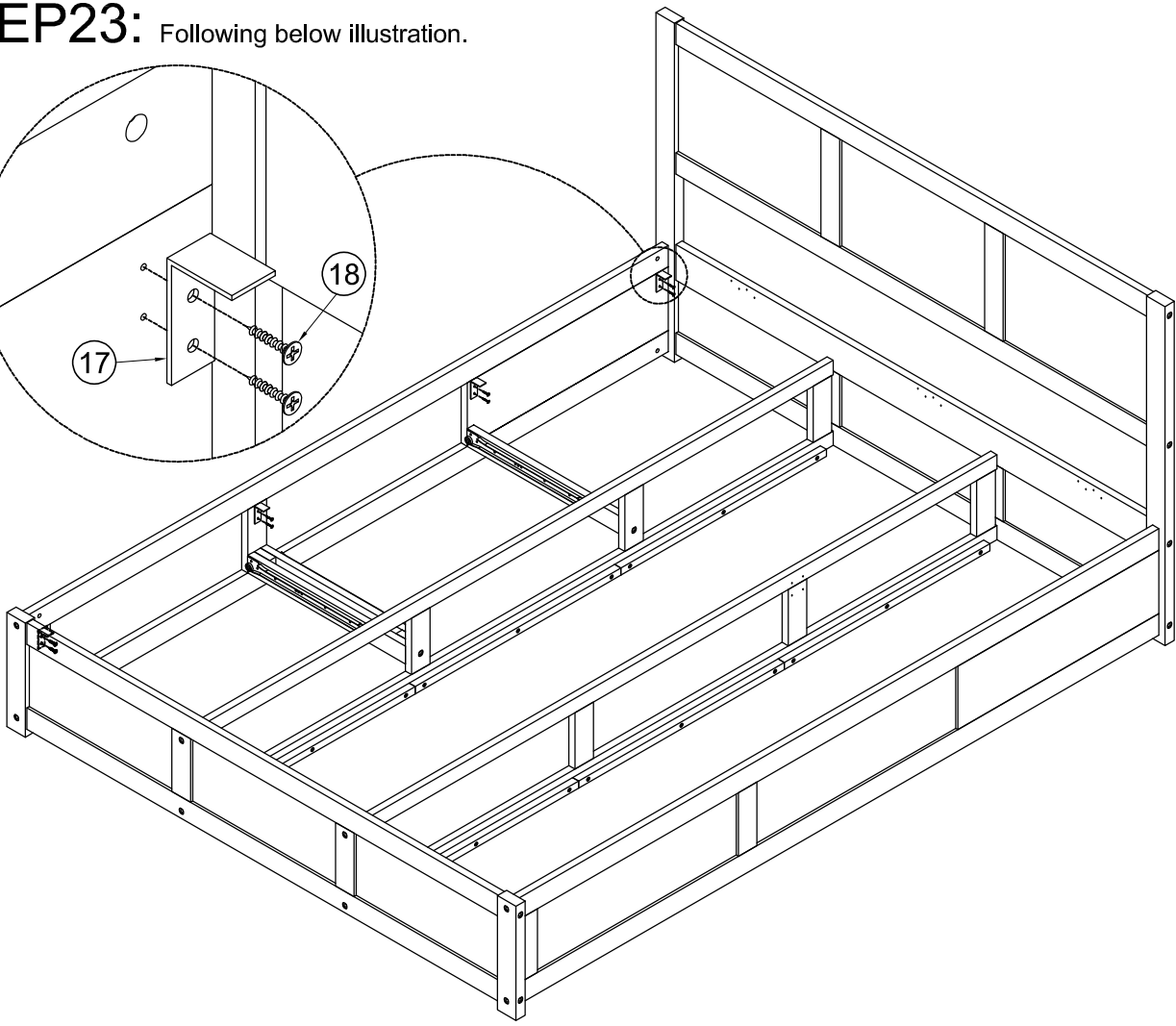
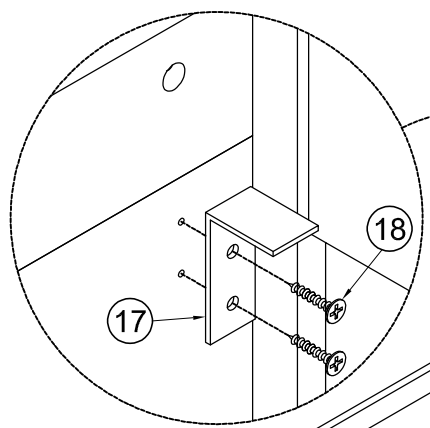
20  
9(pcs)


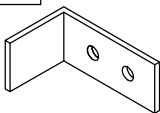
**STEP22:** Following below illustration.



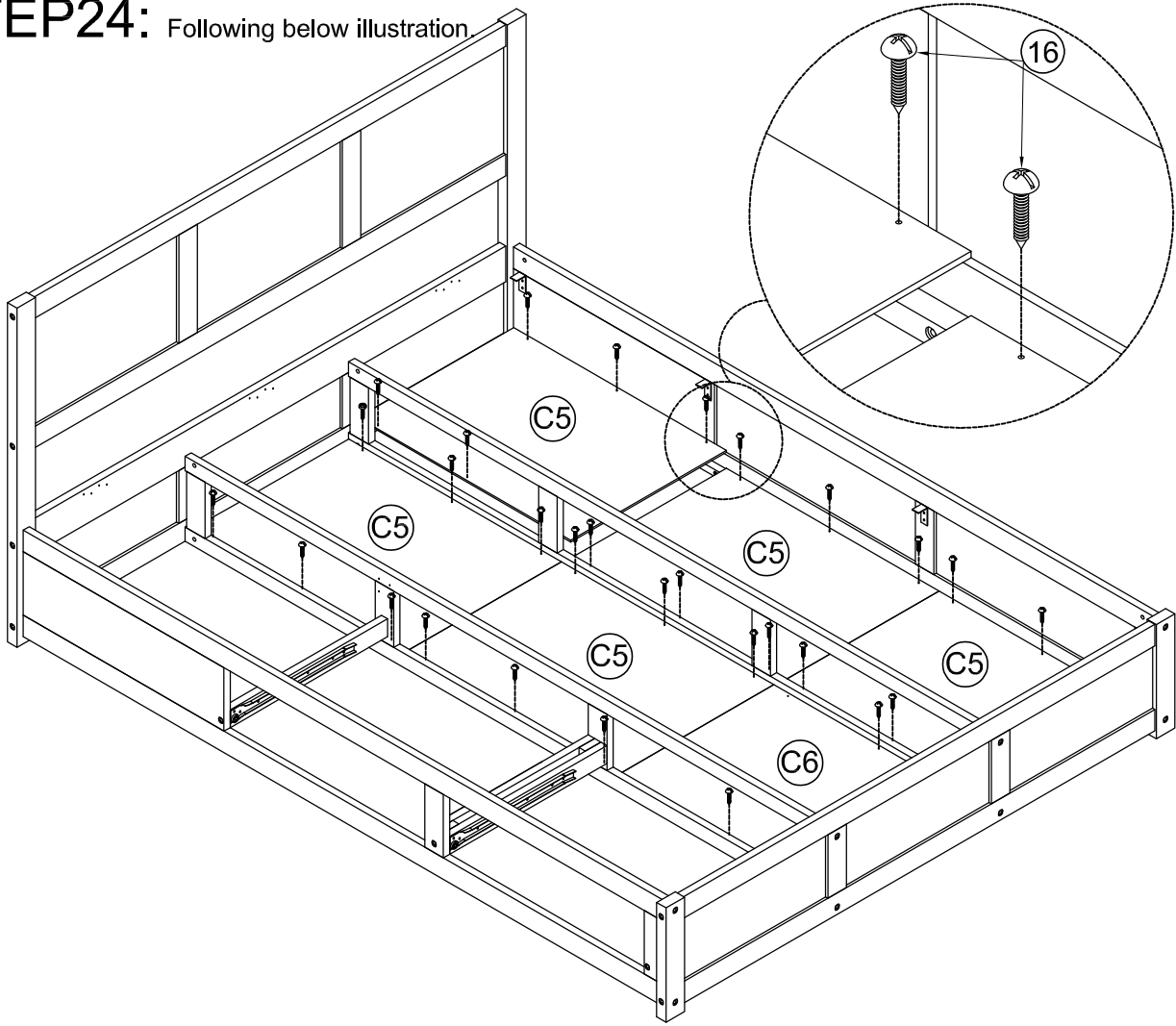
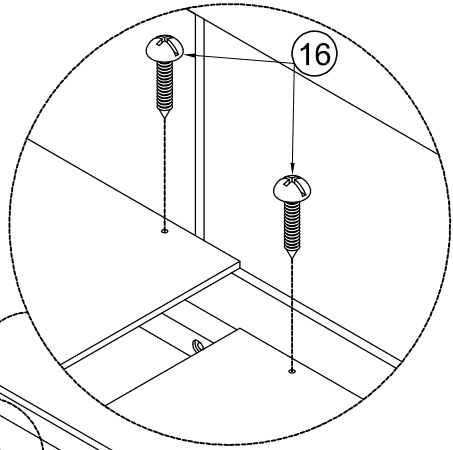
18  
8(pcs)  
17  
4(pcs)


**STEP23:** Following below illustration.



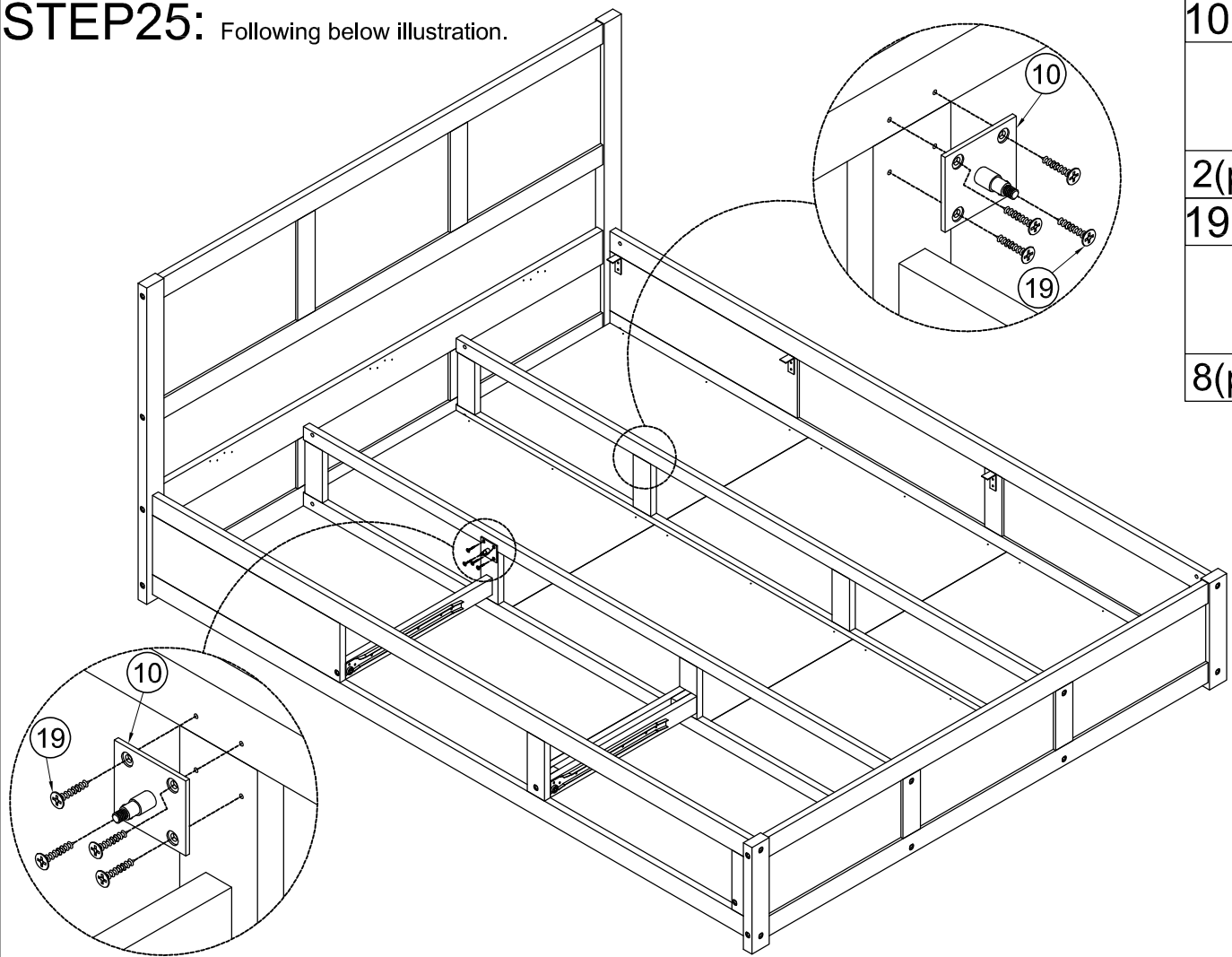
- 18 
- 8(pcs)
- 17 
- 4(pcs)

**STEP24:** Following below illustration



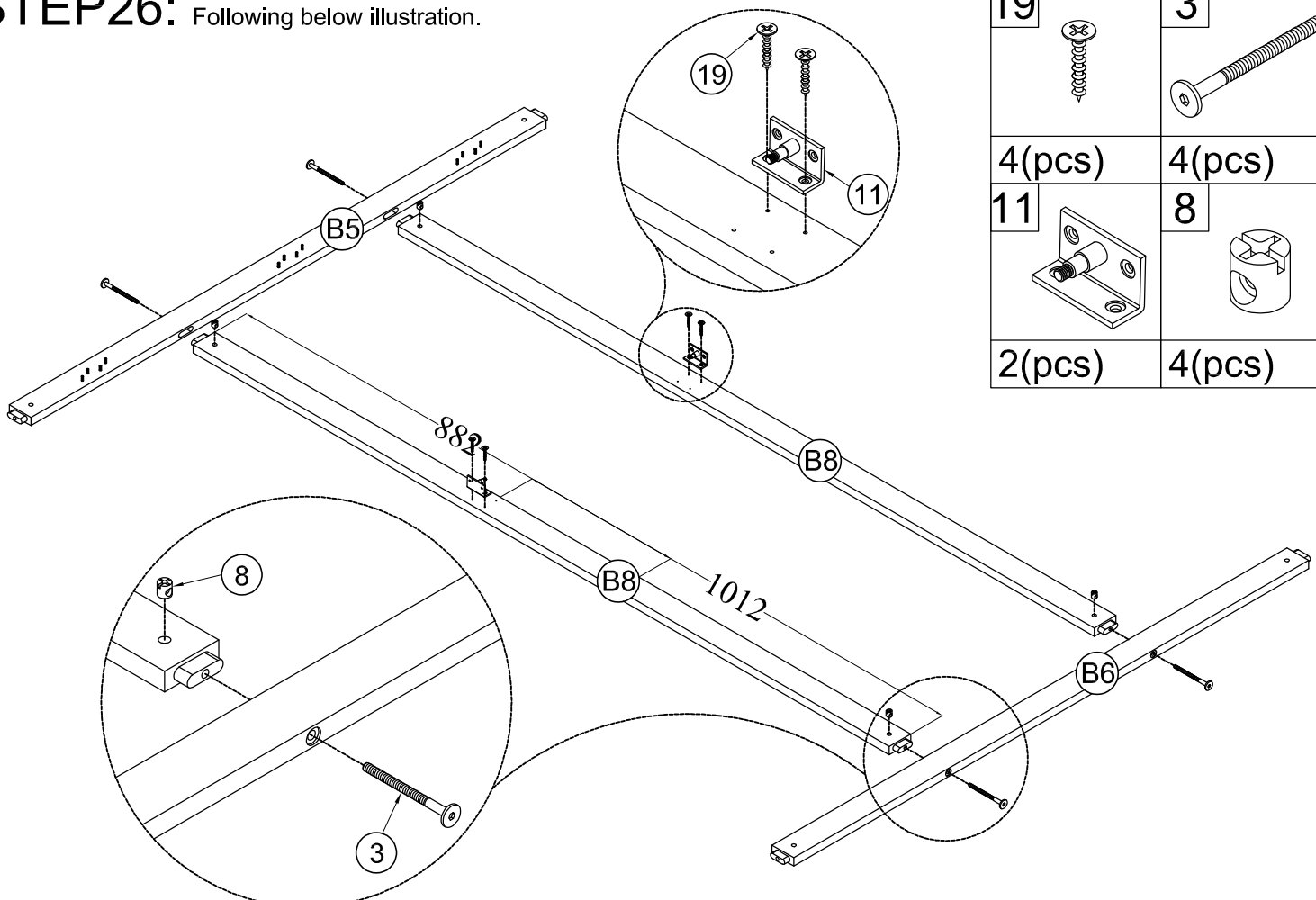
- 16 
- 36(pcs)

**STEP25:** Following below illustration.



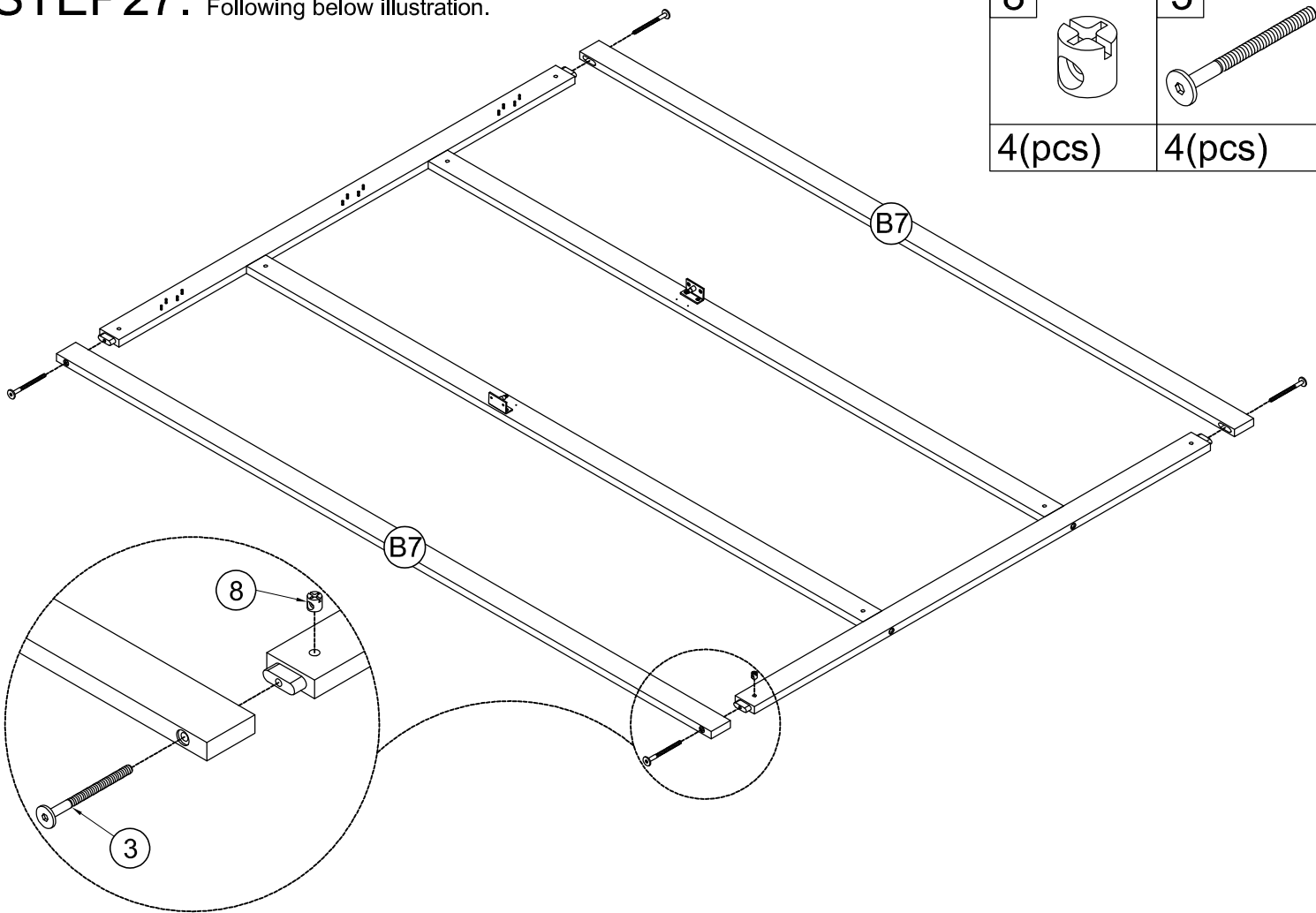
10	
	2(pcs)
19	
	8(pcs)


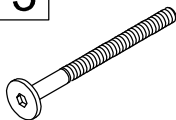
**STEP26:** Following below illustration.



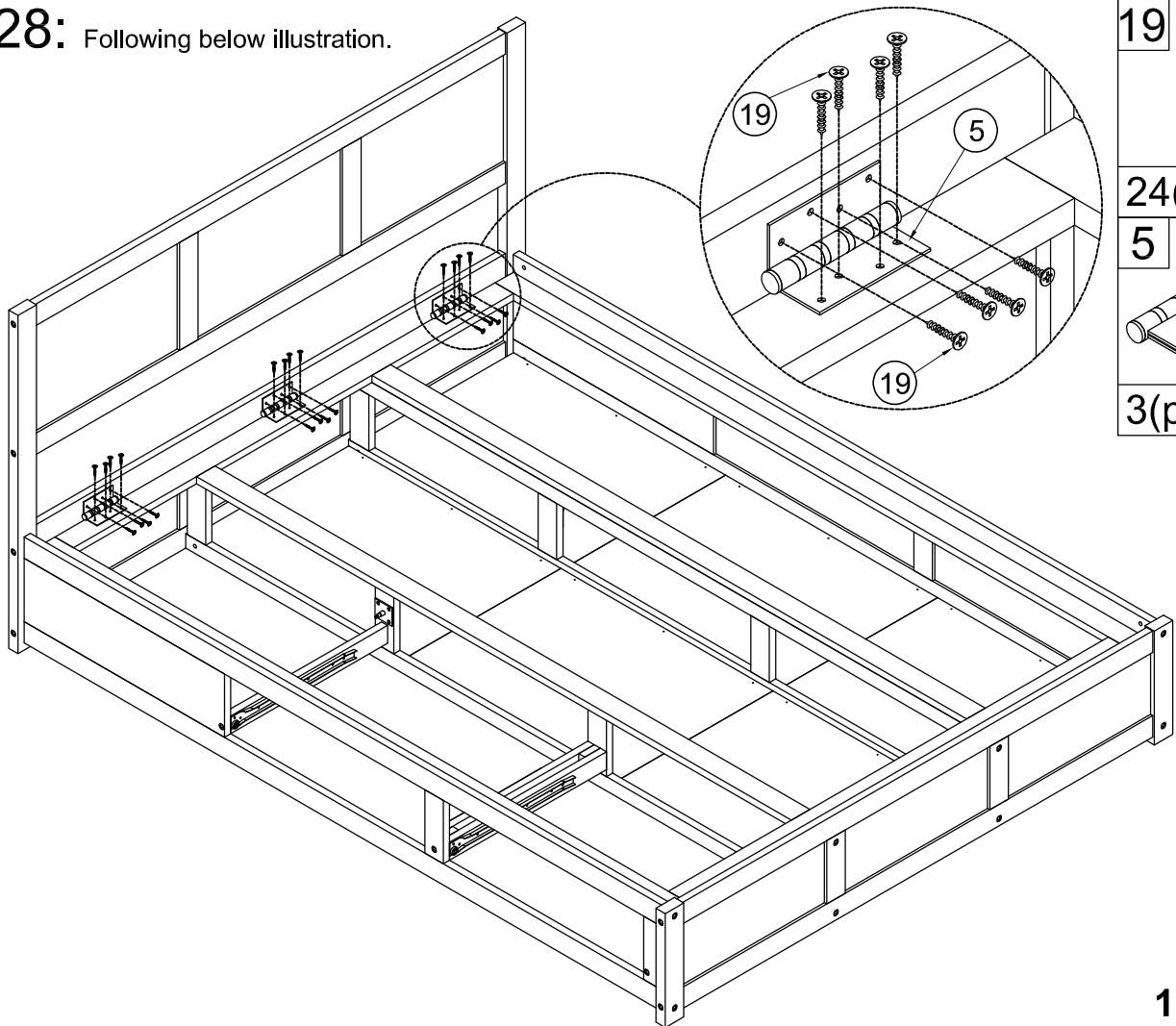
19		3	
	4(pcs)		4(pcs)
11		8	
	2(pcs)		4(pcs)


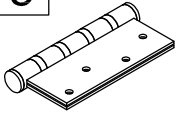
**STEP27:** Following below illustration.



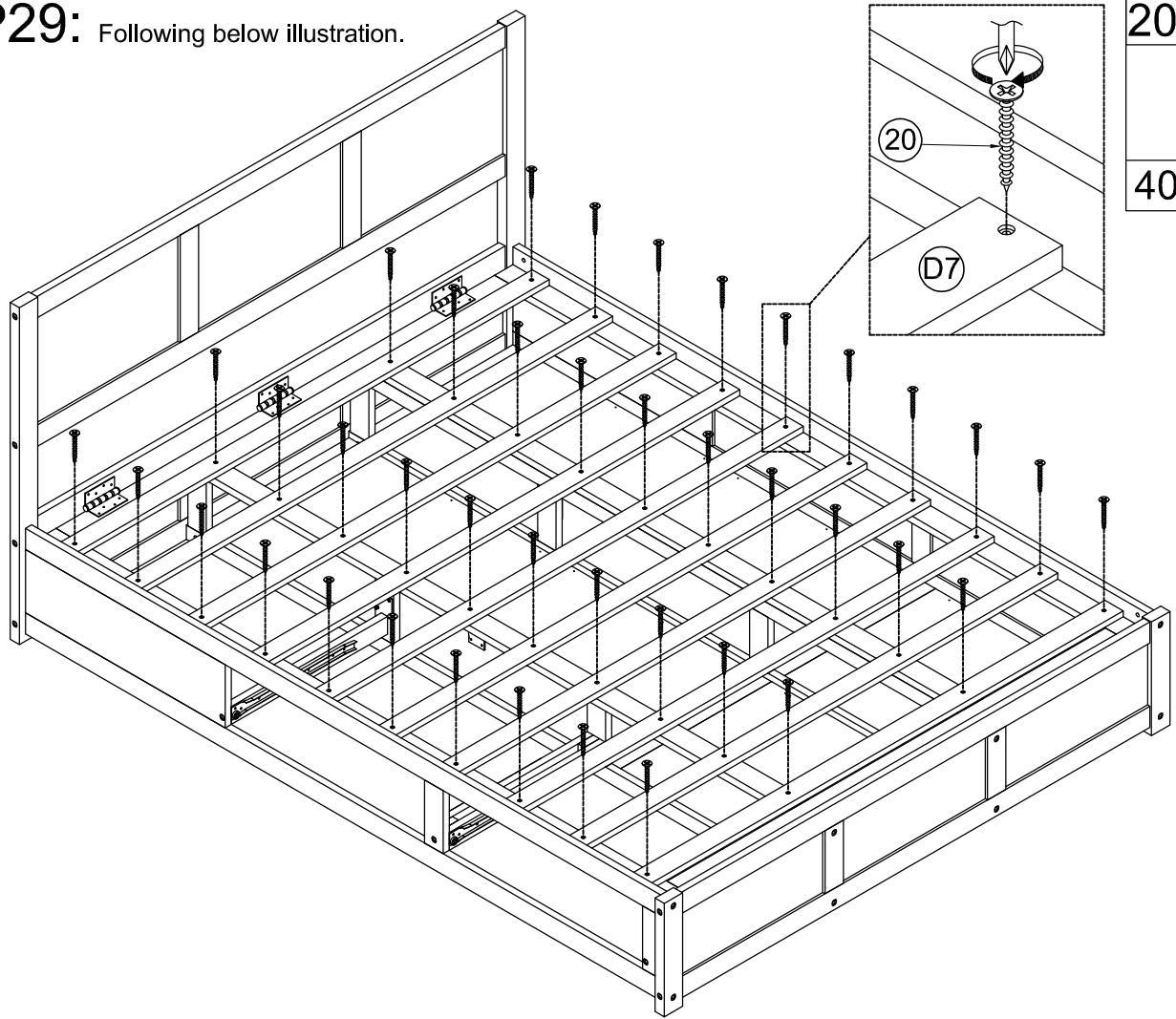
8	3
	
4(pcs)	4(pcs)

**STEP28:** Following below illustration.

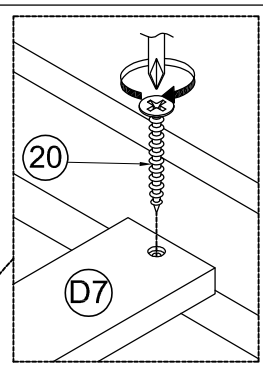


19	
24(pcs)	
5	
3(pcs)	

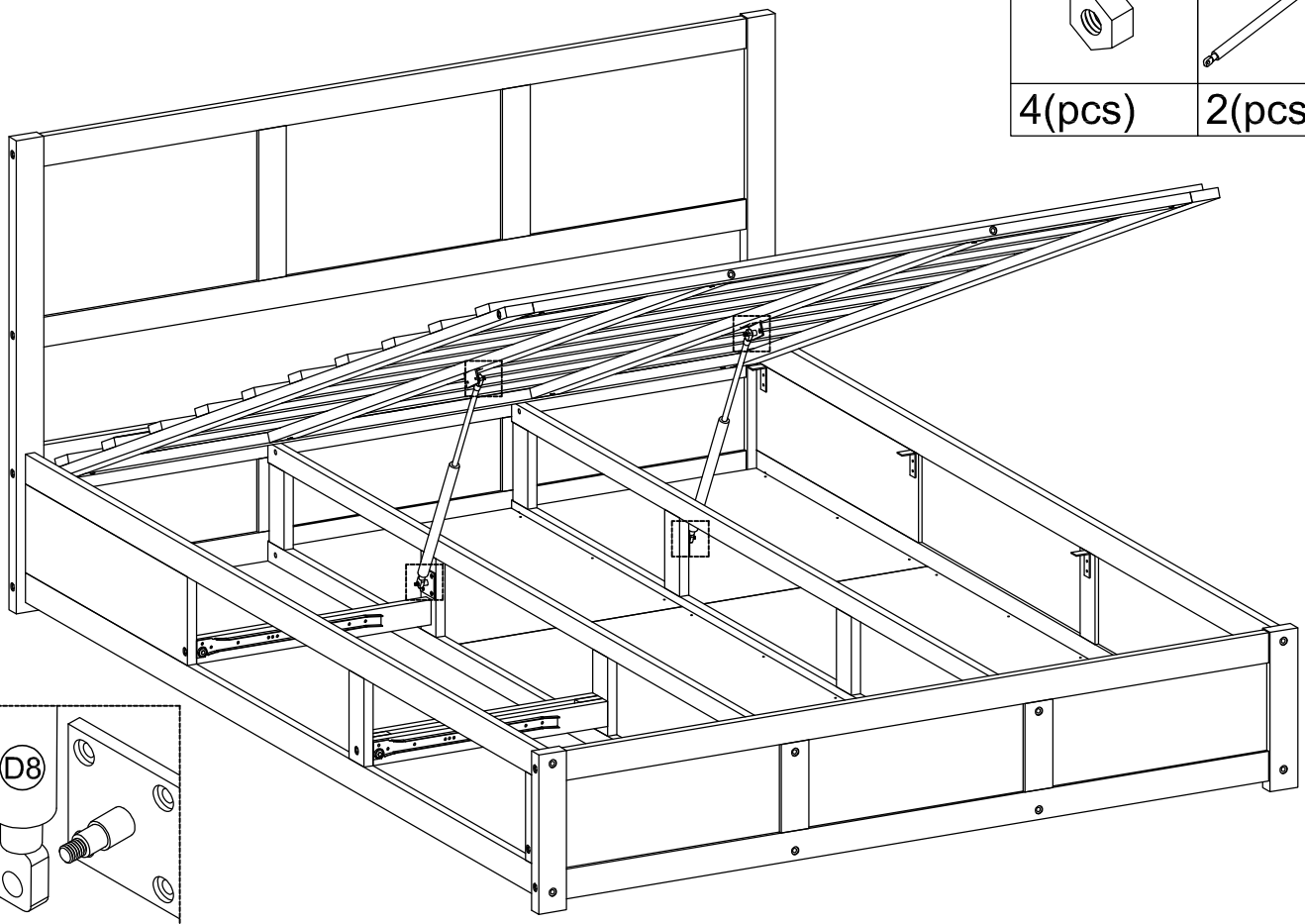
**STEP29:** Following below illustration.



**20**  
40(pcs)

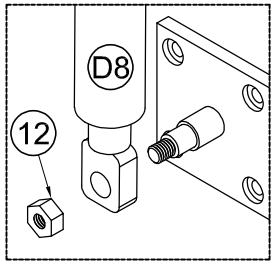


**STEP30:** Following below illustration.

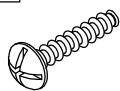




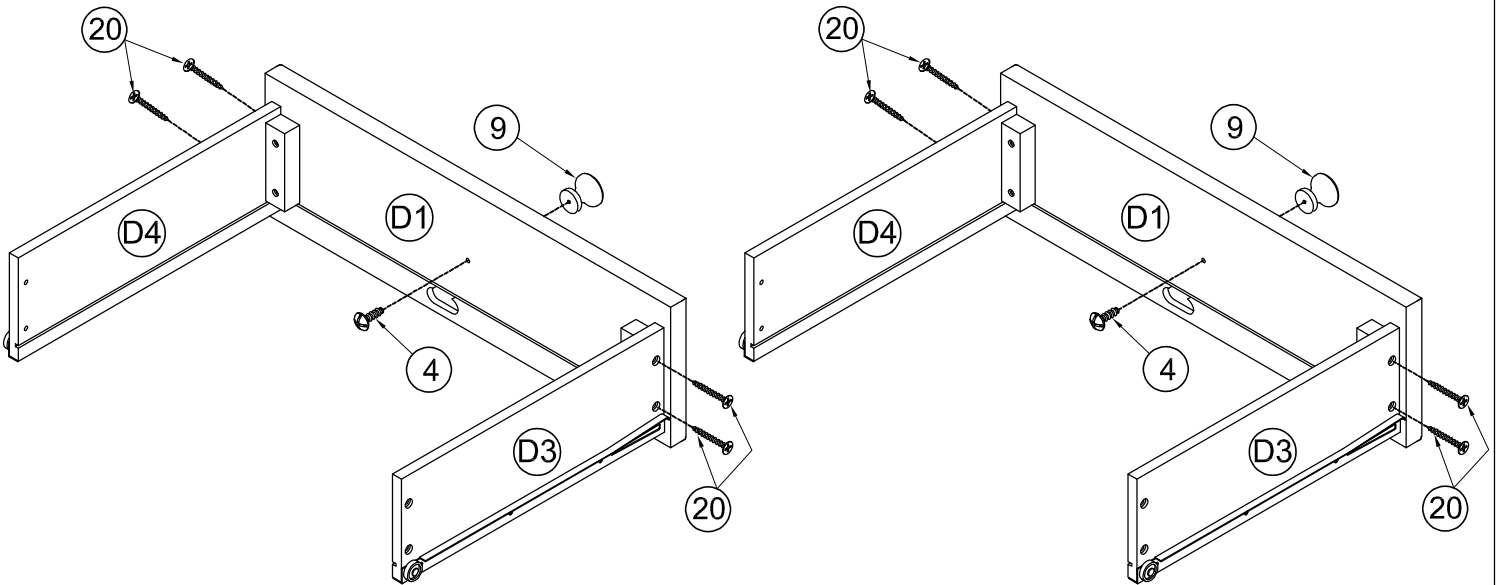
**12**  
4(pcs)

**D8**  
2(pcs)

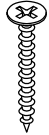


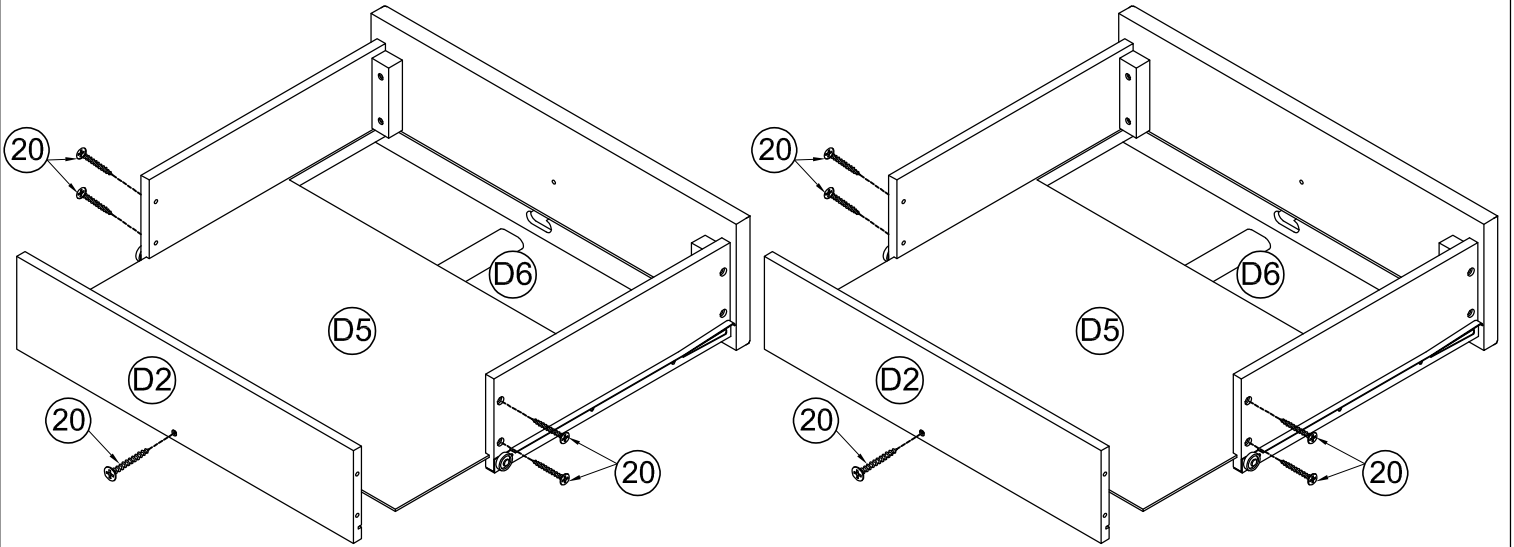
# STEP31: Following below illustration.

4	9	20
		
2(pcs)	2(pcs)	8(pcs)



# STEP32: Following below illustration.

20

10(pcs)



**STEP33:** Following below illustration.

