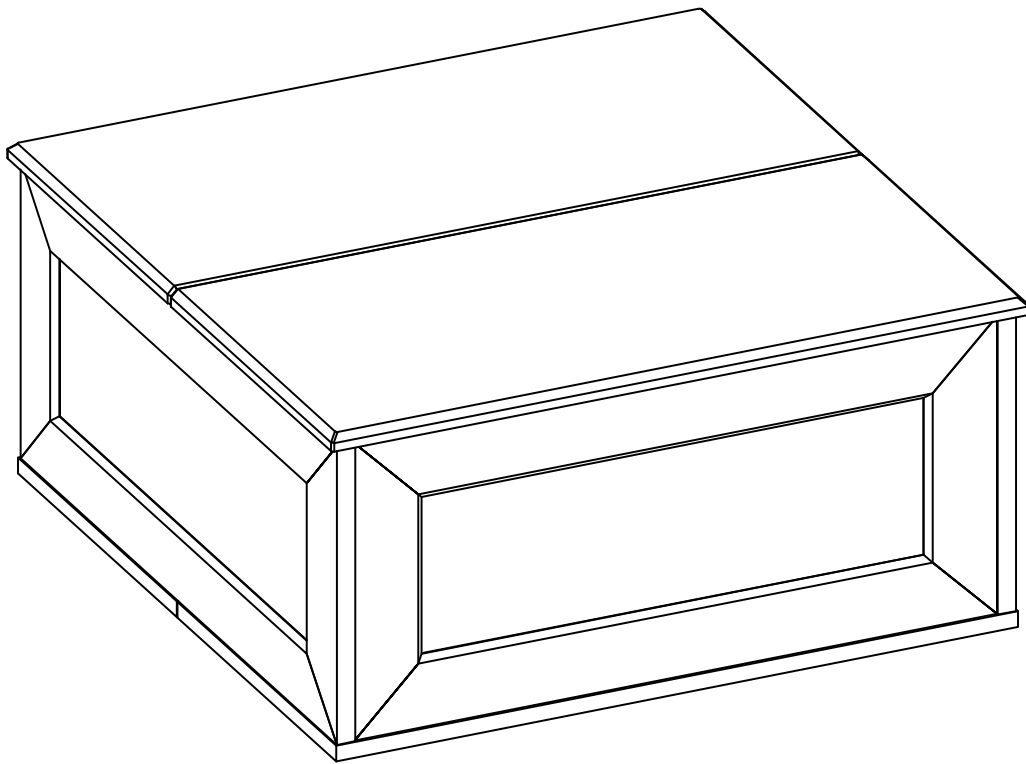


# BLAKE CHEST COFFEE TABLE



ASSEMBLY INSTRUCTIONS

**mopio**<sup>®</sup>

# Join Mopio Club and enjoy your 1-Year Warranty

We've got more for you. Be part of **Mopio Club** and enjoy:

- Privileged Customer Care
- 10% Off Your Next Purchase (no min spend)
- 1-Year Free Warranty
- Early Access To Upcoming Launches

Scan the QR code or go to the link to find out more:  
[www.mopio.com/club](http://www.mopio.com/club)



## Chat With Us!

For any enquiries or issues regarding your purchase, chat with us  
at [www.mopio.com/#chat](https://www.mopio.com/#chat).

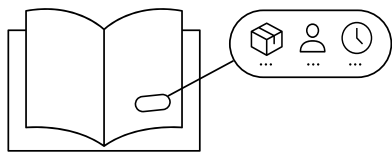
Or connect with us through other channels:

✉ [help@mopio.com](mailto:help@mopio.com)

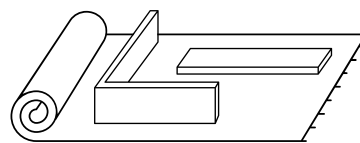
📘 @mopioinc

🌐 [www.mopio.com](http://www.mopio.com)

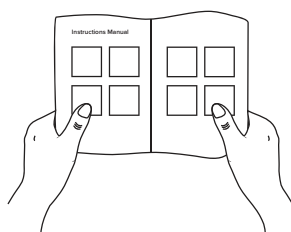
# Before you start...



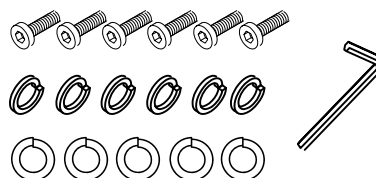
Ensure you have received all cartons and familiarize yourself with the workload. Make sure there are enough helping hands to assist you, and that you have allocated the time required to assemble your new product.



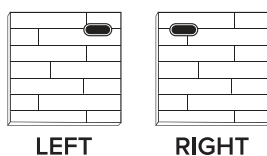
Make sure you have cleared enough space in your home for the assembly. We recommend protecting your floor with a mat or cardboard to avoid scratches during the assembly process.



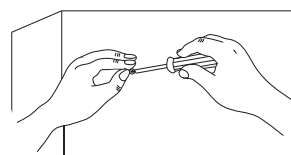
Read instructions carefully and check no parts are missing.



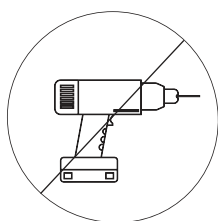
Lay out all hardware on a soft surface so you can easily identify them.



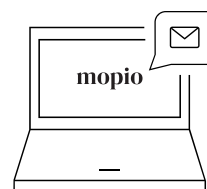
Carefully identify all components in order to differentiate which pieces are left and right.



Install your new product carefully following the instructions. Don't skip ahead!



**DO NOT** over tighten screws or use a drill. It will damage the product.



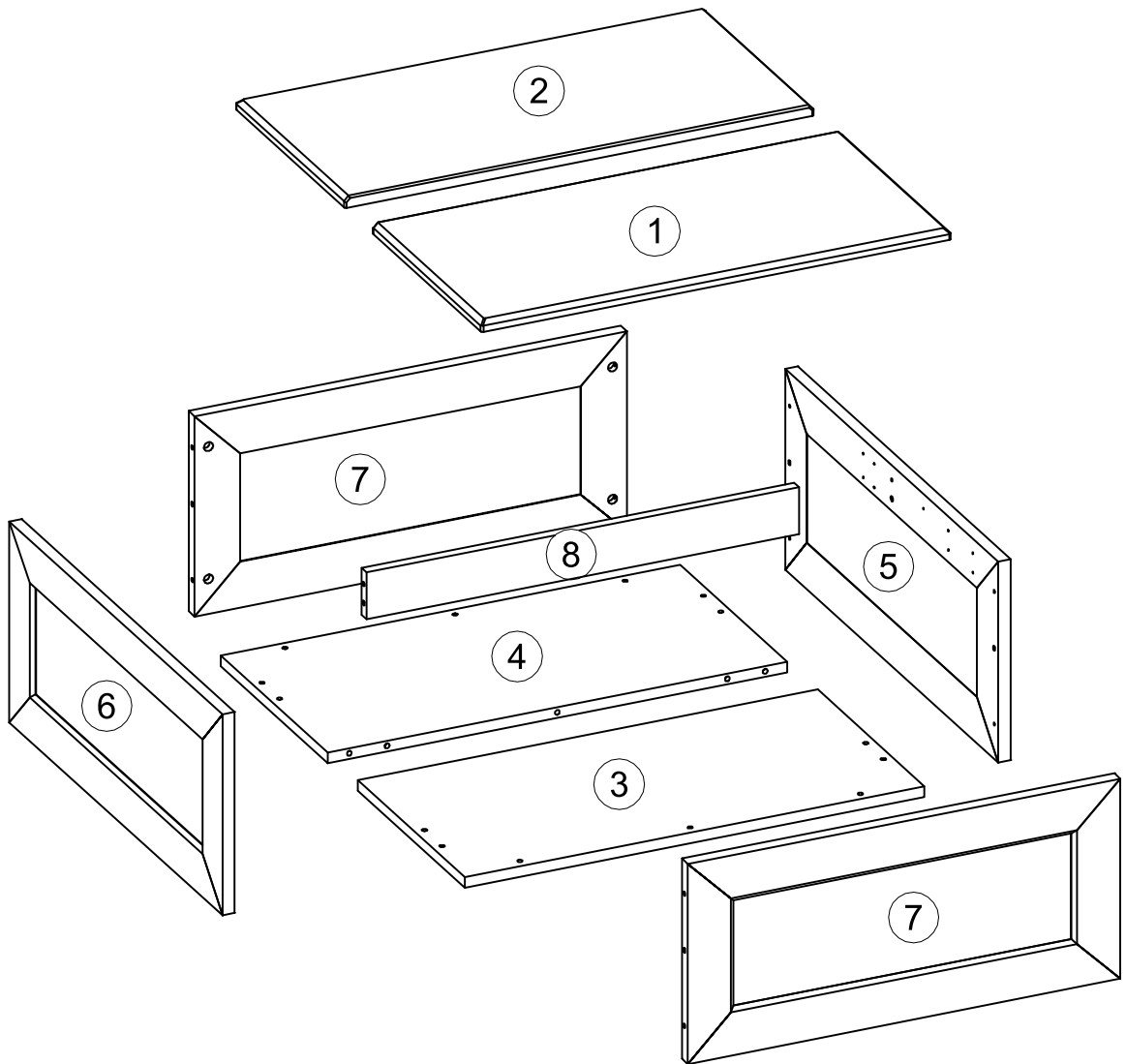
If you need further assistance with assembling your Mopio product, please chat with us at [www.mopio.com#chat](https://www.mopio.com#chat).

# Parts

 **Missing parts? Or feeling stuck?**  
Chat with us at [www.mopio.com/#chat](https://www.mopio.com/#chat)

 **Watch demo video at:**  
[www.mopio.com/pages/assembly-guide](https://www.mopio.com/pages/assembly-guide)

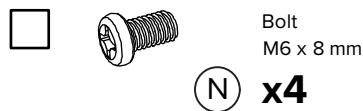
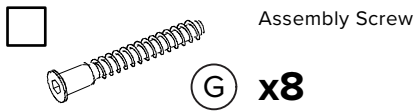
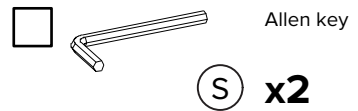
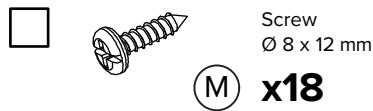
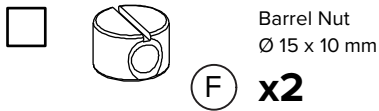
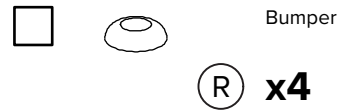
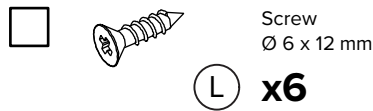
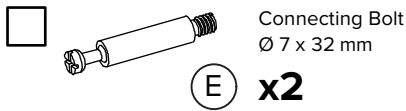
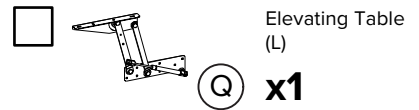
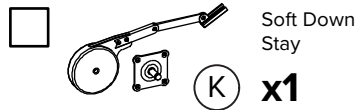
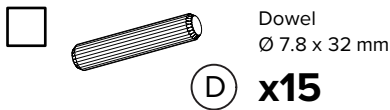
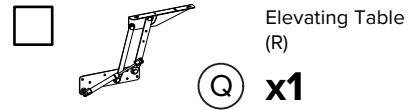
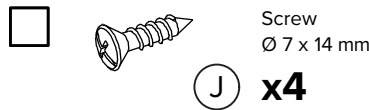
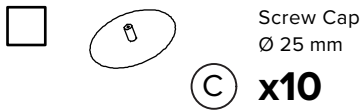
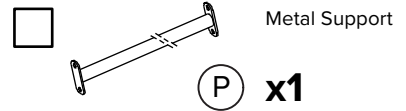
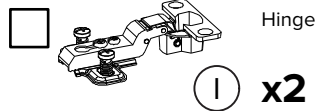
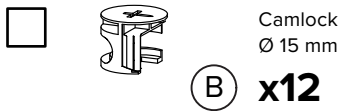
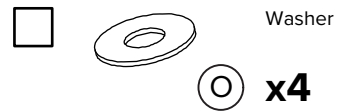
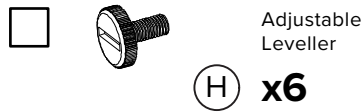
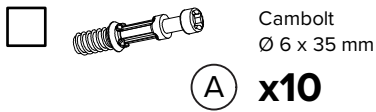
- |                                      |                                      |
|--------------------------------------|--------------------------------------|
| <input type="checkbox"/> ① <b>x1</b> | <input type="checkbox"/> ⑤ <b>x1</b> |
| <input type="checkbox"/> ② <b>x1</b> | <input type="checkbox"/> ⑥ <b>x1</b> |
| <input type="checkbox"/> ③ <b>x1</b> | <input type="checkbox"/> ⑦ <b>x2</b> |
| <input type="checkbox"/> ④ <b>x1</b> | <input type="checkbox"/> ⑧ <b>x1</b> |





# Hardware


 **Missing parts? Or feeling stuck?**  
 Chat with us at [www.mopio.com#chat](https://www.mopio.com#chat)


 **Watch demo video at:**  
[www.mopio.com/pages/assembly-guide](https://www.mopio.com/pages/assembly-guide)







 This product will require 1.5hrs for assembly. We hope that you will enjoy the assembly process and hang in there!

 There are inner box(es) that include components required to complete this assembly.

 Please do not completely tighten all the hardware, until each assembly step is complete.

 Before discarding the packaging, please use the checklist to ensure that you have all the parts required to assemble your product. Please kindly note you will need the original package if you want to return the product later.

 If parts are missing or damaged, we will gladly ship your replacements parts free of charge. Please contact us at [help@mopio.com](mailto:help@mopio.com) or chat with us at [www.mopio.com#chat](https://www.mopio.com#chat).

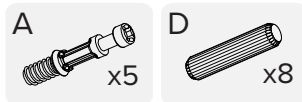
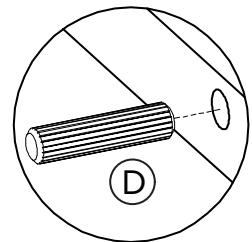
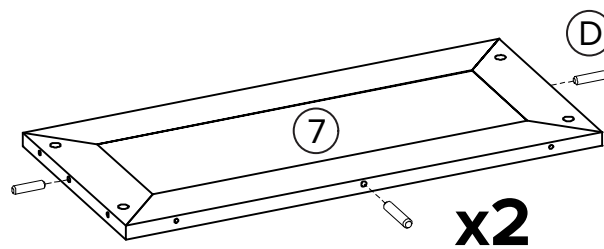
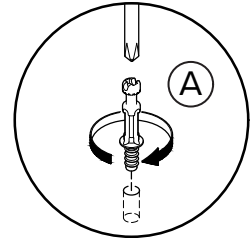
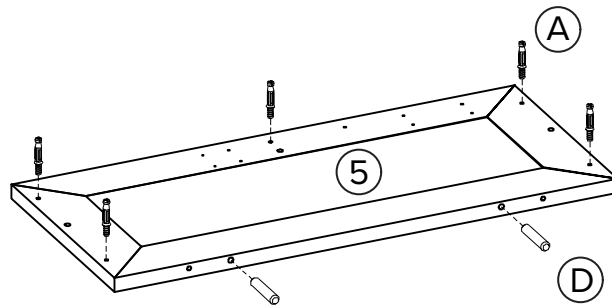
 **x1**
 **x2**
 **90 mins**

# Pre-Assembly

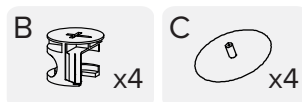
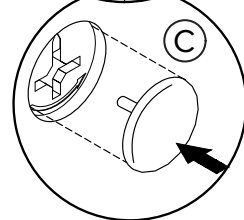
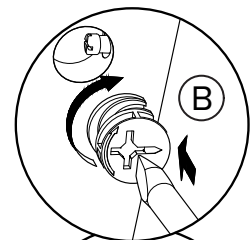
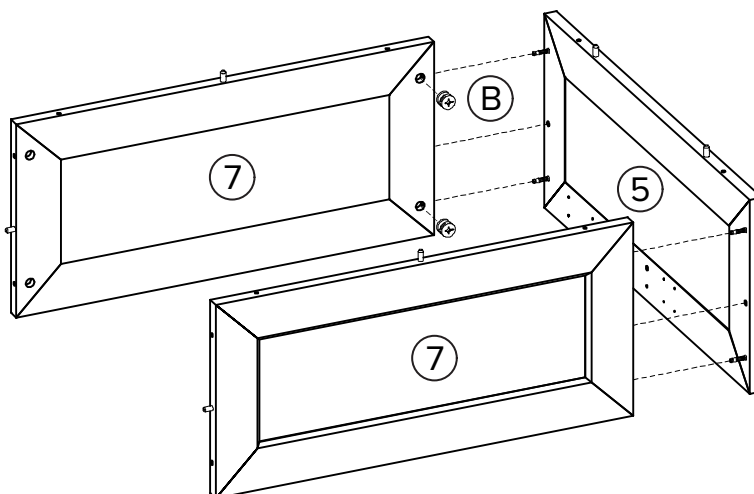
Panels and boards are not packed in accordance to assembly step. Suggestion to unpack everything before starting.

A string is attached to hardware box for easy access.

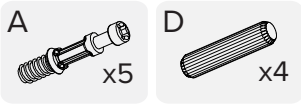
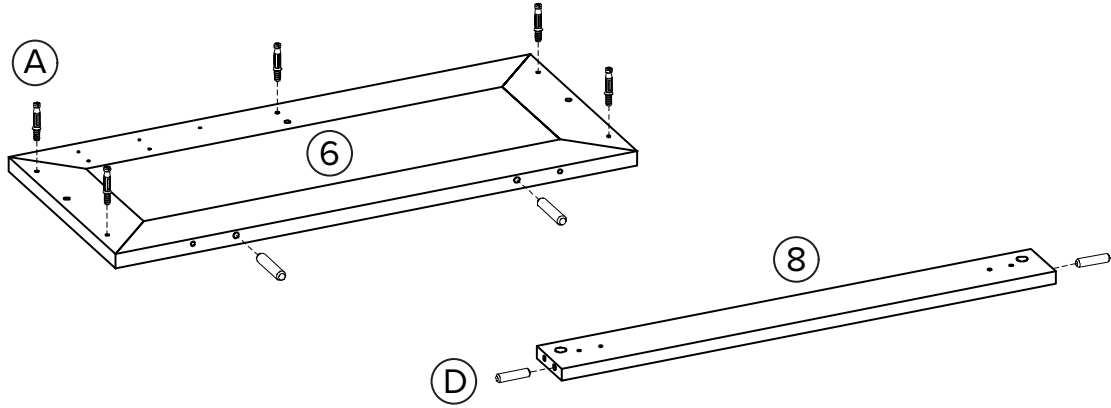
## Step 1



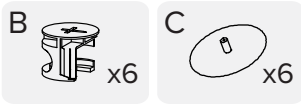
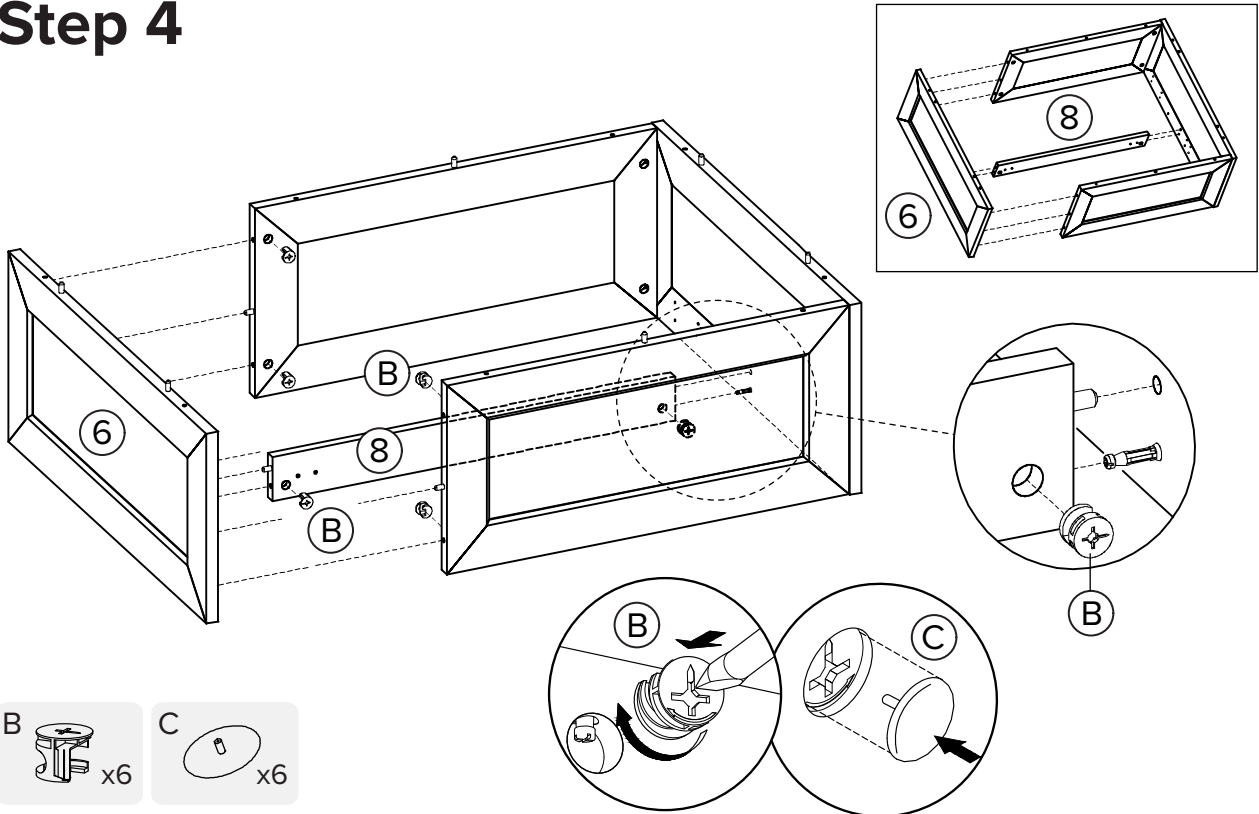
## Step 2



# Step 3



# Step 4



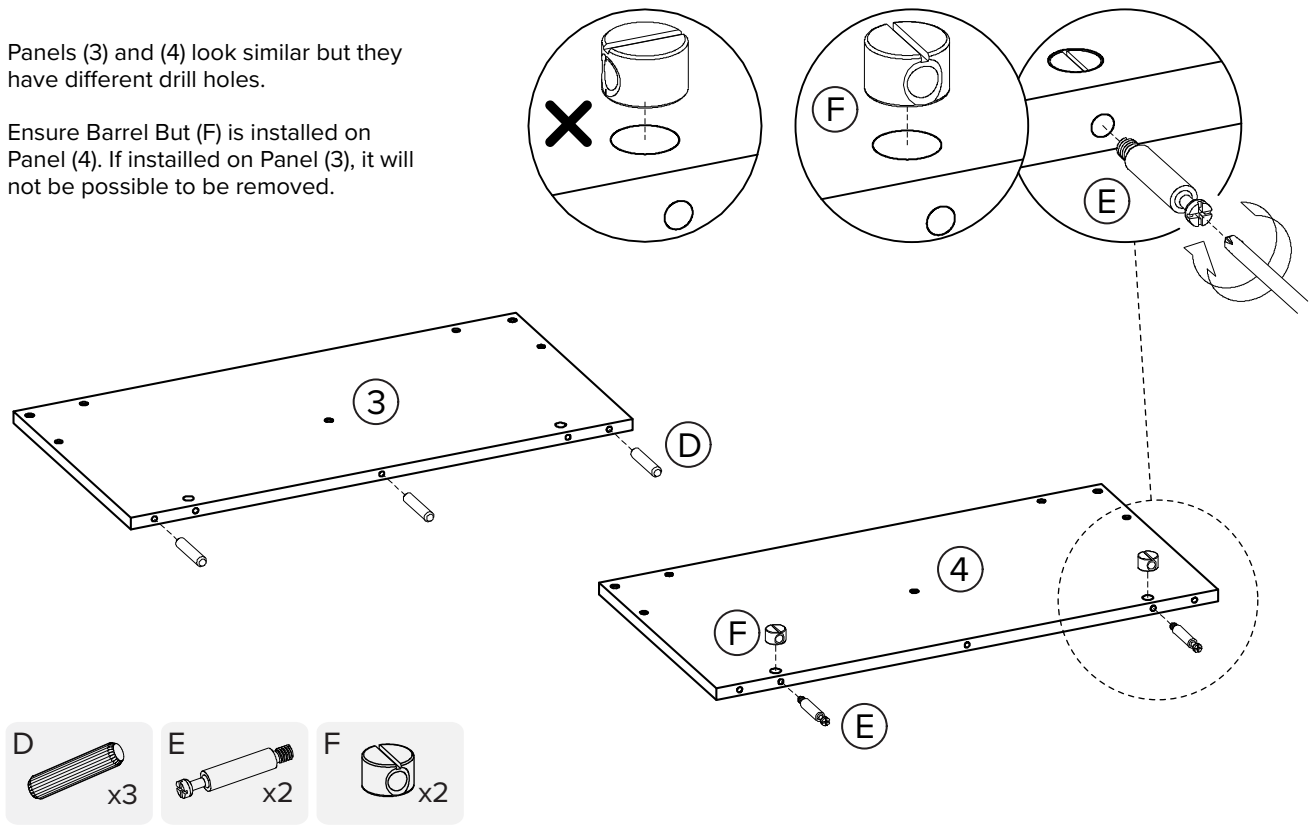
Missing parts? Or feeling stuck?  
Chat with us at [www.mopio.com/#chat](http://www.mopio.com/#chat)

Watch demo video at:  
[www.mopio.com/pages/assembly-guide](http://www.mopio.com/pages/assembly-guide)

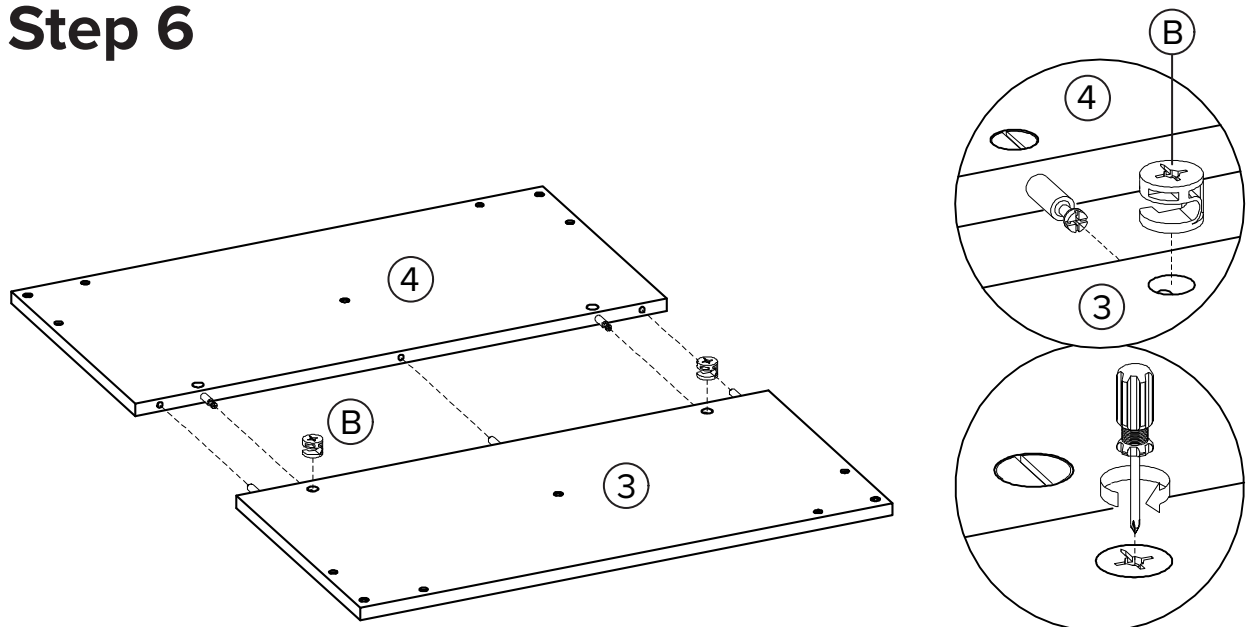
# Step 5

Panels (3) and (4) look similar but they have different drill holes.

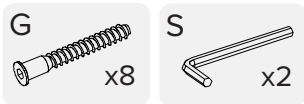
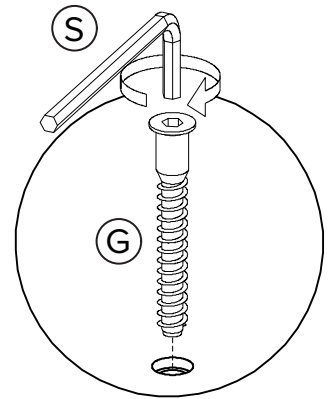
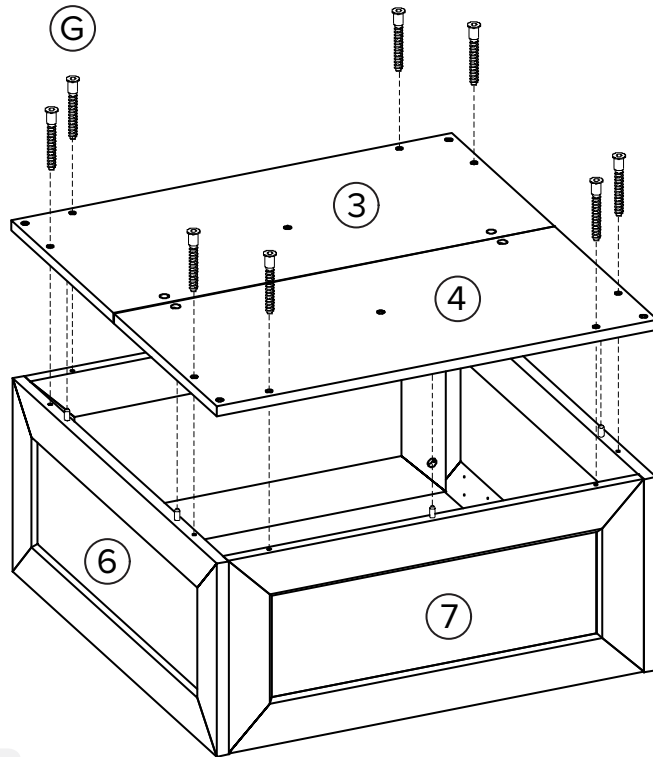
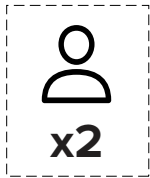
Ensure Barrel Nut (F) is installed on Panel (4). If installed on Panel (3), it will not be possible to be removed.



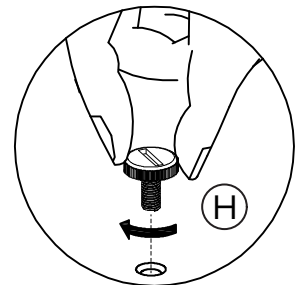
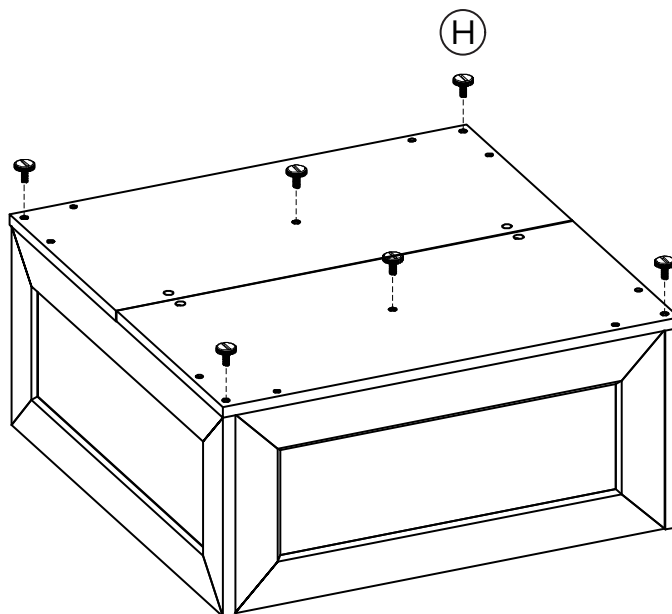
# Step 6



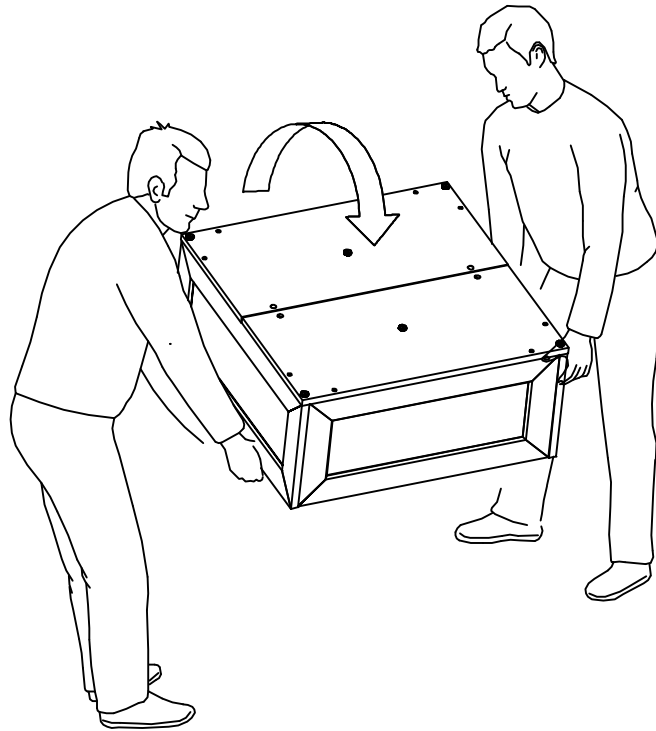
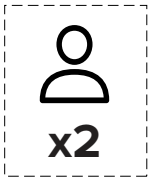
# Step 7



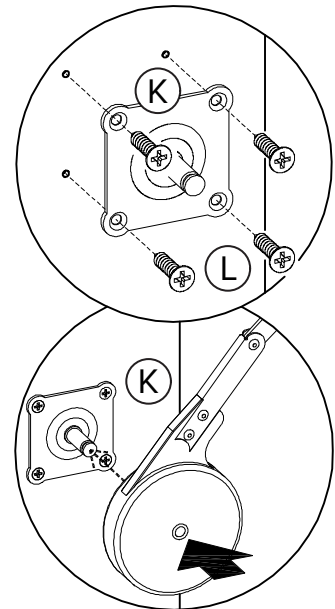
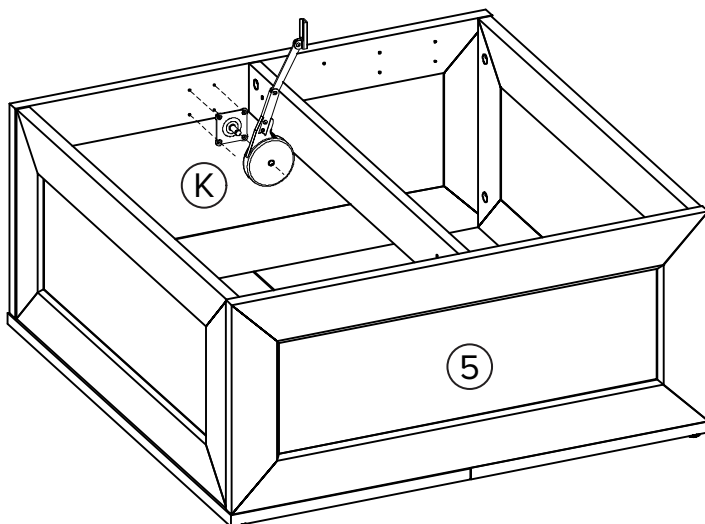
# Step 8



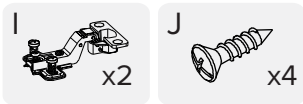
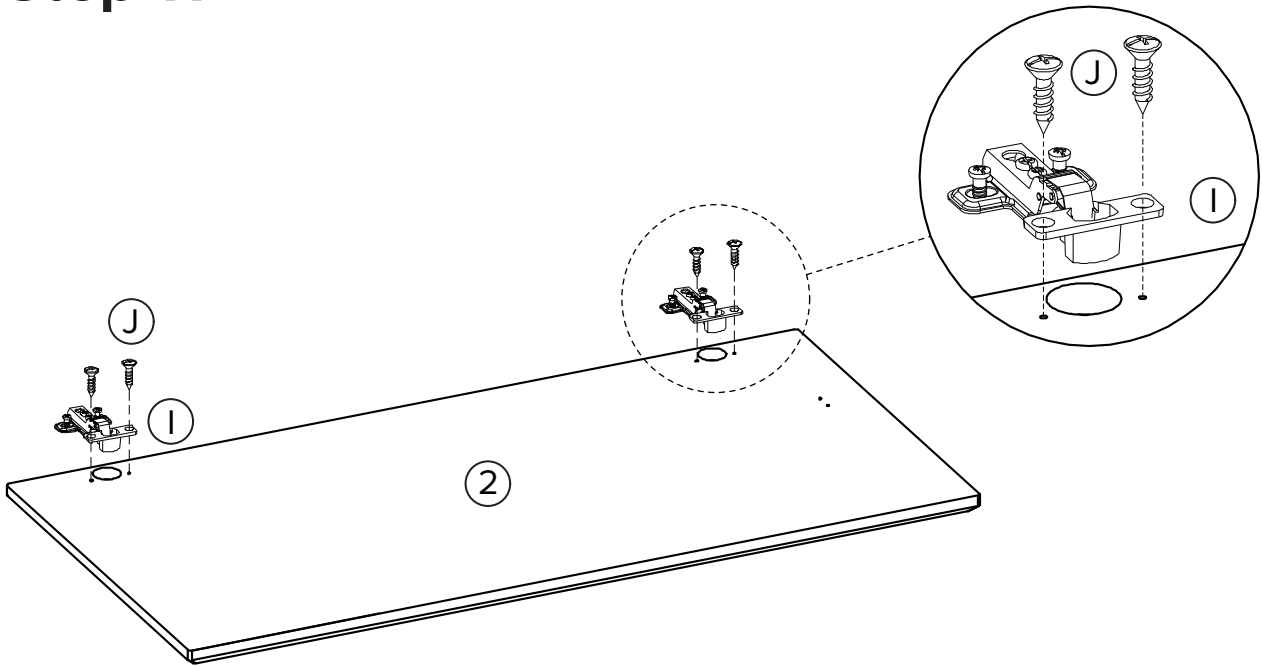
# Step 9



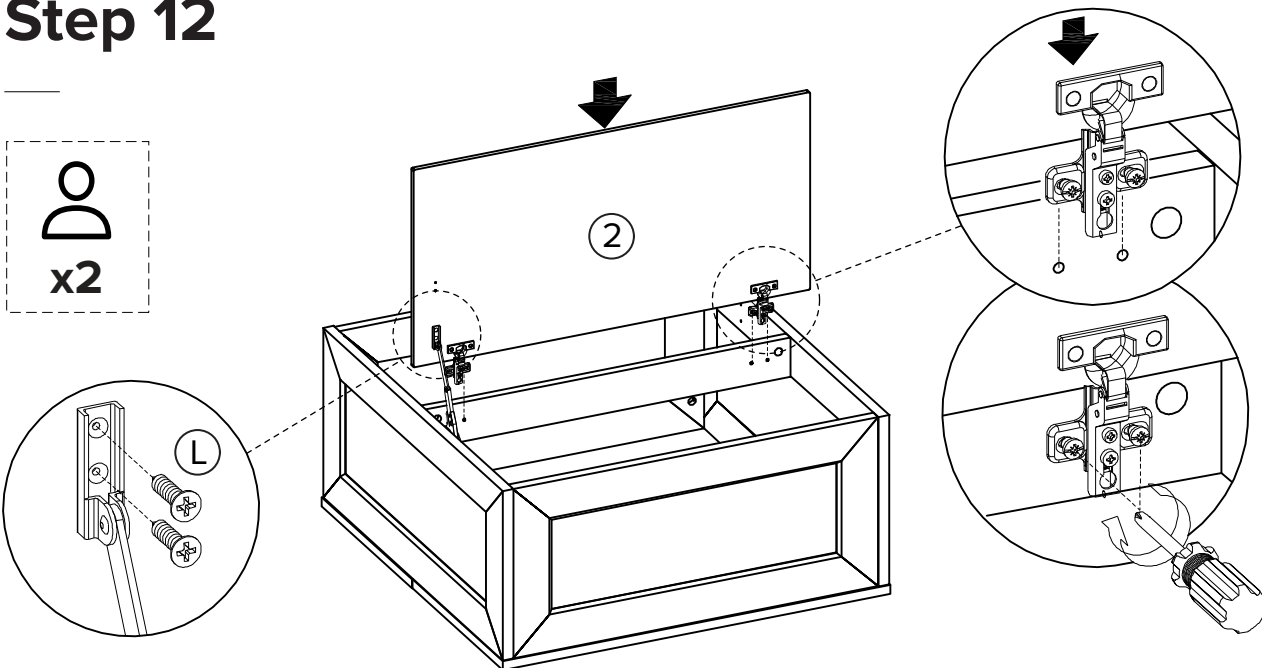
# Step 10



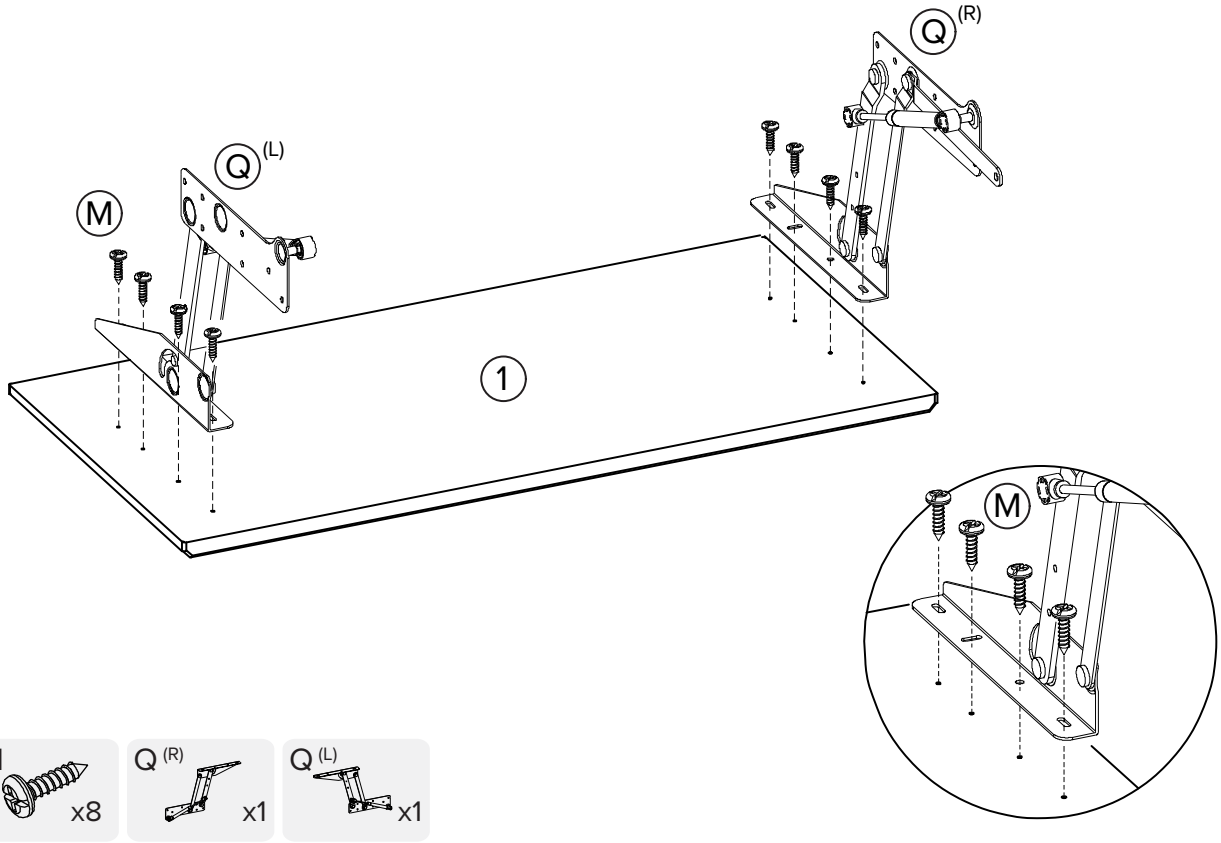
# Step 11



# Step 12

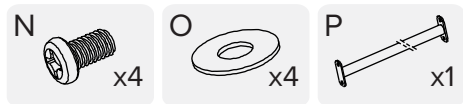
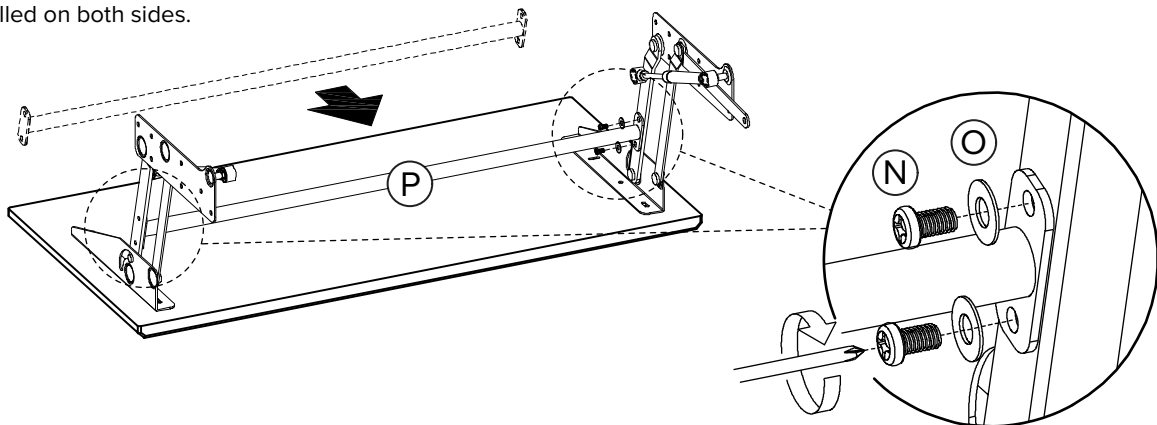


# Step 13



# Step 14

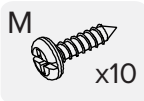
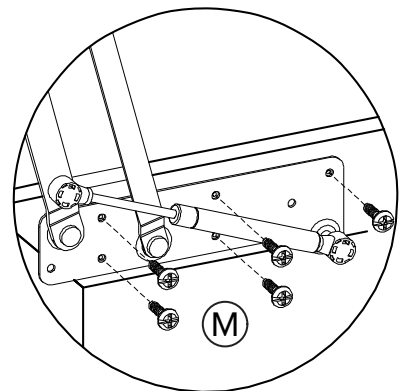
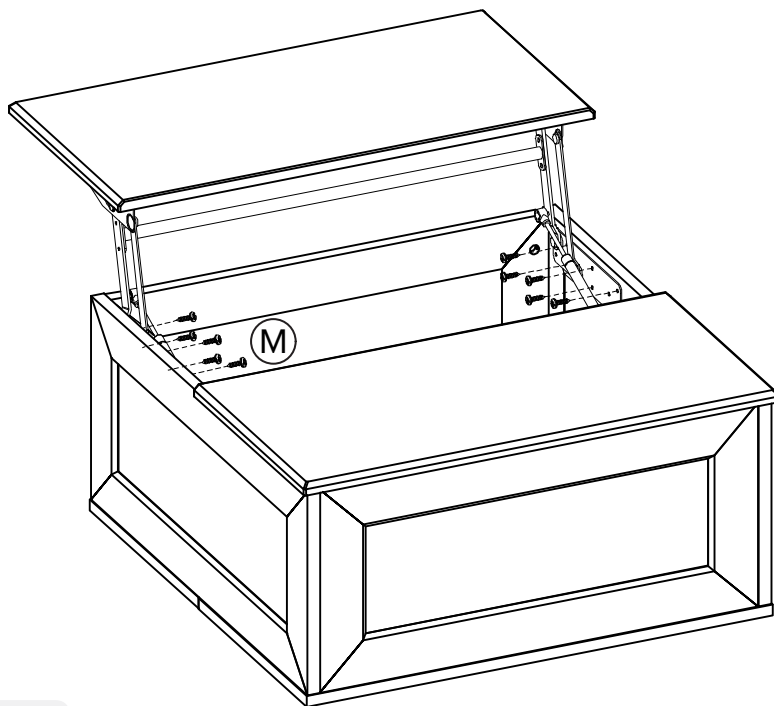
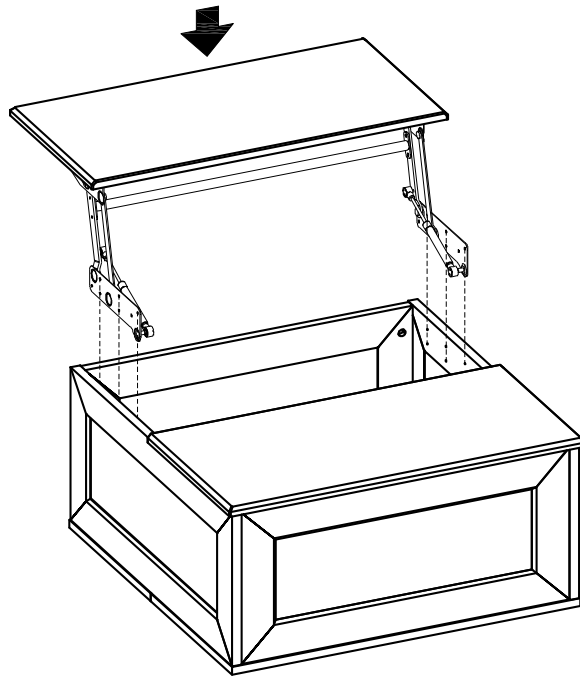
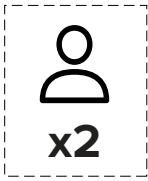
Ensure that screws are installed on both sides.



Missing parts? Or feeling stuck?  
Chat with us at [www.mopio.com/#chat](https://www.mopio.com/#chat)

Watch demo video at:  
[www.mopio.com/pages/assembly-guide](https://www.mopio.com/pages/assembly-guide)

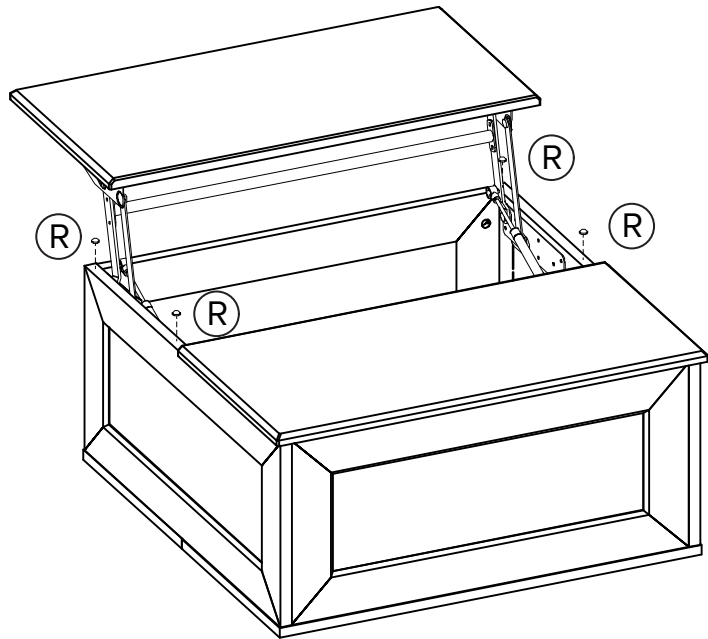
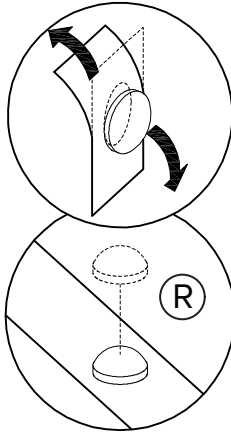
# Step 15



# Step 16

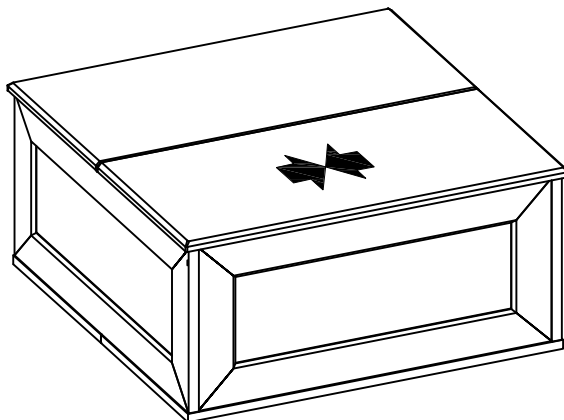
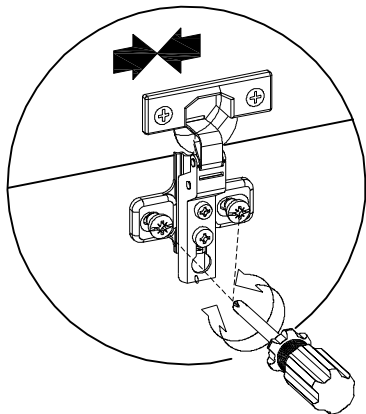
Always close the table top carefully and ensure that there are no fingers in between the gaps.

Do not let children operate the lift top mechanism without any adult supervision.

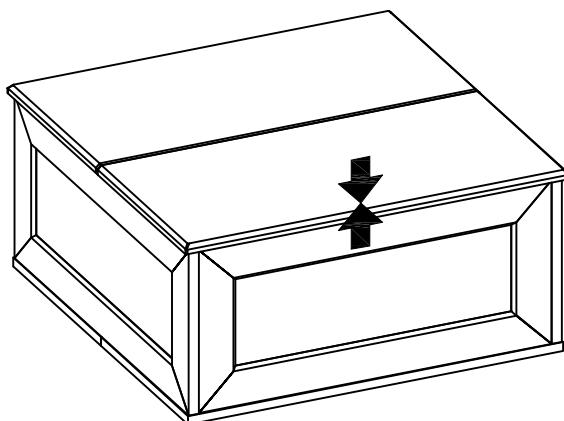
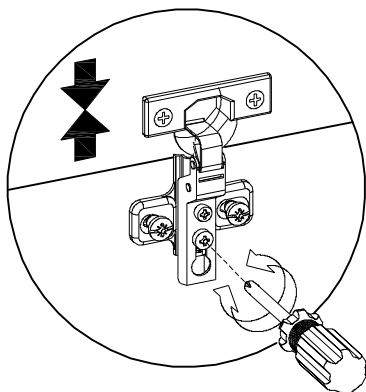


# Adjusting the hinges

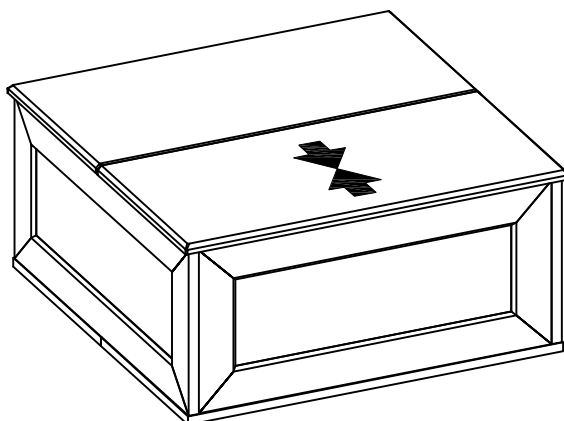
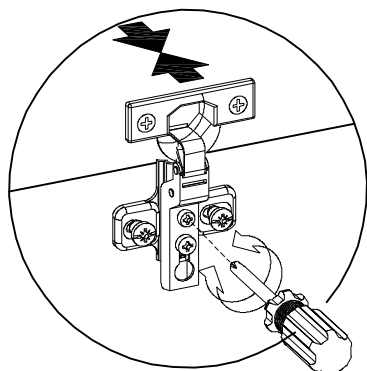
To adjust the top in a left and right direction, loosen 2 screws on mounting plate as shown, adjust top and retighten screws. You may need to loosen 2 hinges at the same time to perform this adjustment.



To adjust the top in an up and down direction, loosen screw on mounting plate as shown, adjust top and retighten screws. You may need to loosen 2 hinges at the same time to perform this adjustment.



To adjust the top in a front and back direction, loosen screw on mounting plate as shown, adjust top and retighten screws. You may need to loosen 2 hinges at the same time to perform this adjustment.



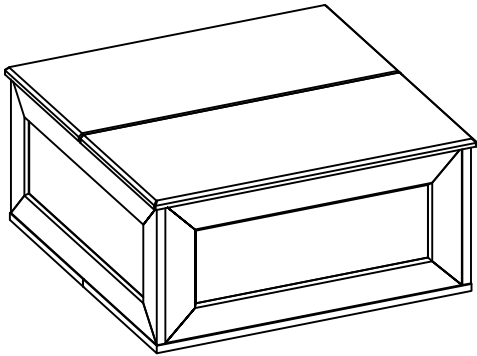
**Missing parts? Or feeling stuck?**  
Chat with us at [www.mopio.com/#chat](https://www.mopio.com/#chat)



**Watch demo video at:**  
[www.mopio.com/pages/assembly-guide](https://www.mopio.com/pages/assembly-guide)

# Finished!

---



**Congratulations, you have made it through the assembly process! We're almost there! ☆**

**Please perform following checks to ensure assembly is properly done.**

- If the table-top is misaligned, please refer to Step 8 and adjust accordingly.

**Move your Mopio product carefully, with 2 people lifting it to the preferred location. Clean the product with a dry cloth. You are all set!**

**Enjoy your fresh and updated living space thanks to the addition of your new Mopio product!**



**Missing parts? Or feeling stuck?**  
Chat with us at [www.mopio.com/#chat](https://www.mopio.com/#chat)



**Watch demo video at:**  
[www.mopio.com/pages/assembly-guide](https://www.mopio.com/pages/assembly-guide)

# Care Instructions

Your furniture, if treated with respect and love, will last you a long time. Each piece requires light maintenance to maximize its longevity.

## **Few quick tips before using this product:**

1. Recommended weight limit for the table top is 30lbs and 25lbs for each storage compartment.
2. Avoid uneven weight distribution for long time as it may cause damage to the product shape.
3. Check and tighten the camlock and screw periodically as it may loose over the time.
4. Check anti tipping screw periodically, change the screw position if it start to lose.

## **How to take care of it?**

1. Avoid direct sunlight or use curtains or blinds to limit the sun exposure to the product.
2. Clean the product regularly with a dry, soft cloth.
3. Avoid using abrasive or liquid cleanser.
4. Avoid placing hot objects onto the top surface.
5. Spillage may damage the surface. Clean immediately with a dry cloth.
6. We recommend using placemats or coasters underneath glasses, cups, bowls or plates to prevent scratches to the table surface.

Follow the care instructions and look after your furniture, in return, your furniture will look after you.

We hope to see you soon!

# Frequently Asked Questions

## 1. What should I do if my product received is incomplete?

Mopio products are flat packed and come in separate boxes. Once your order has dispatched and been sent with Fedex, you will receive an email with tracking information. Please note that Fedex may deliver your boxes in separate deliveries. Kindly follow the tracking information, allowing all boxes to be received before starting assembly. If you need further assistance on deliveries tracking, feel free to reach out to us at [www.mopio.com#chat](http://www.mopio.com#chat) or [help@mopio.com](mailto:help@mopio.com).

## 2. What should I do if my shipment is damaged or products received are defective?

We're sorry to hear that! Please email us at [help@mopio.com](mailto:help@mopio.com) or chat with us at [www.mopio.com#chat](http://www.mopio.com#chat) and provide a detailed description of the damage, as well as photos (or videos, where appropriate) showing the damage. We will do our best to resolve the issue as soon as possible.

## 3. Can replacement parts be ordered?

Yes. Simply write to our customer service team at [help@mopio.com](mailto:help@mopio.com) or chat with us at [www.mopio.com#chat](http://www.mopio.com#chat), let us know your order ID and we will be happy to assist further.

## 4. Who do I contact for repair queries?

You may write to us at [help@mopio.com](mailto:help@mopio.com) specifying your queries and we will be able to assist you further.

## 5. What warranty do you offer for your products?

You'll just need to submit your warranty registration upon receiving product at [www.mopio.com/warranty/register](http://www.mopio.com/warranty/register) and it comes with one year warranty period. You can print a copy of your order from Order Details in Amazon and upload it as your proof of purchase. More details can be found in **Warranty section**.

## 6. How do I claim my warranty?

Easy! Just email us at [help@mopio.com](mailto:help@mopio.com) and provide a detailed description of the fault as well as photos.

## 7. What should I do if I want to return the product?

We offer 30-day return policy upon product received. To initiate a return request, please message us through Amazon or contact our customer service team at [help@mopio.com](mailto:help@mopio.com) or [www.mopio.com#chat](http://www.mopio.com#chat) with your reason of returning so we can facilitate the request and assist you further. For more details on the return policy, please refer to **Return section**.

# 1-Year Limited Warranty Information

Please read this limited warranty carefully. To ensure your warranty remains valid, you must comply with the following conditions. This warranty covers only manufacturing defects and does not include damages caused by misuse of the product. Full details are available at <https://mopio.com/pages/product-warranty>.

## Activate within 30 Days

Activate your warranty within 30 days of receiving the product at <https://mopio.com/pages/mopioclub>.

Warranty against manufacturing defects, starts from the date of receipt. A valid proof of purchase is required for warranty claims. The manufacturer's warranty and financial responsibility are applicable only to the products.

## Proper Use Definition

Proper use means that the product was not abused by the User, according to the manufacturer's definition.

## Inspection and Costs

The manufacturer requires inspection of the product to determine the warranty claim. Transportation or removal costs are the responsibility of the consumer.

## Usage Conditions

The product should be used on a level surface where all legs touch the floor evenly, allowing even weight distribution. This warranty only covers replacement of legs and not any other parts.

## Resolution of Claims

If a manufacturing defect occurs, the manufacturer will repair or replace the product at its discretion. The manufacturer reserves the right to substitute materials or models and cannot guarantee that replacement parts will match existing ones.