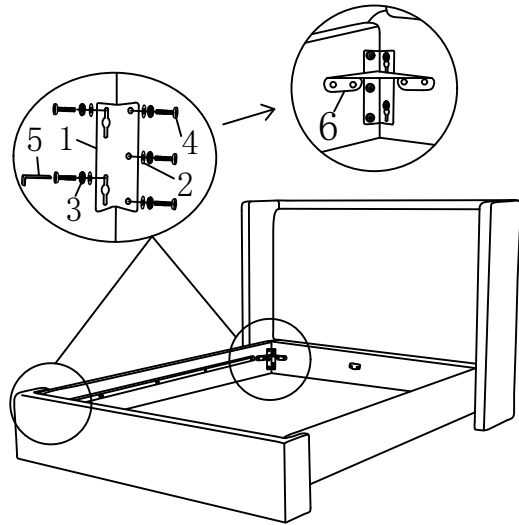


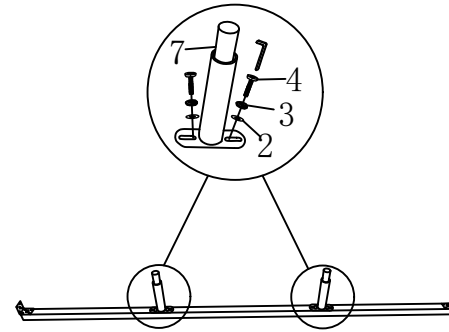
ASSEMBLY INSTRUCTION

BED

Step 1

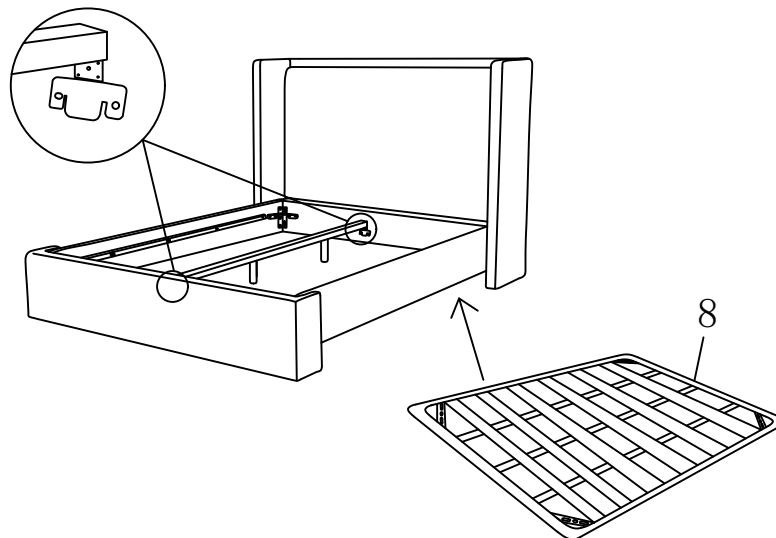


Step 2



1		4pcs	H150MM
2		40pcs	6*18MM
3		40pcs	6MM
4		40pcs	6*30MM
5		1pc	M4
6		4pcs	
7		2pcs	H180MM
8		1pc	

Step 3



Step 4

