

# ASSEMBLY INSTRUCTIONS COASTER FINE FURNITURE



*Fine Furniture for every stage of life*

## SOFA TABLE

# ASSEMBLY INSTRUCTIONS

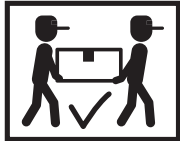
## ASSEMBLY TIPS:

1. Remove hardware from box and sort by size.
2. Please check to see that all hardware and parts are present prior to start of assembly.
3. Please follow attached instructions in the same sequence as numbered to assure fast & easy assembly.



### WARNING!

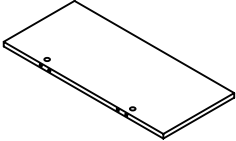
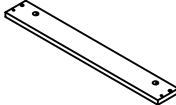
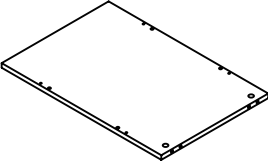
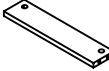
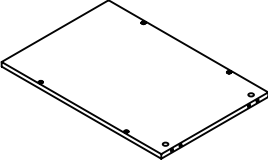
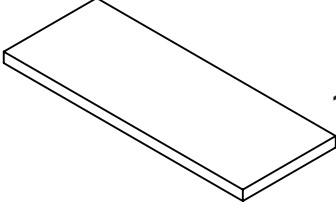
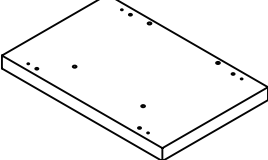
1. Don't attempt to repair or modify parts that are broken or defective. Please contact the store immediately.
2. This product is for home use only and not intended for commercial establishments.



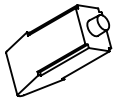
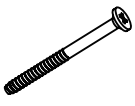
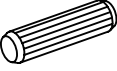

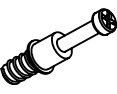


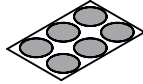
ASSEMBLY TIME

30 MINUTES

## PARTS IDENTIFICATION

A	SIDE PANEL		2 PCS	E	LONG CROSS BRACE		2 PCS
B	FRONT DIVIDER PANEL		1 PC	F	SHORT CROSS BRACE		2 PCS
C	AFTER DIVIDER PANEL		1 PC	G	TOP PANEL		1 PC
D	BOTTOM PANEL		1 PC				

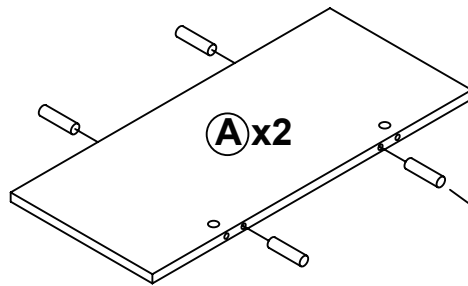
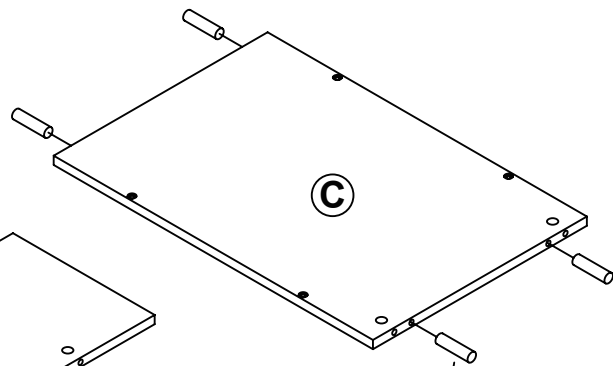
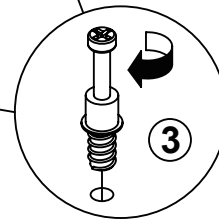
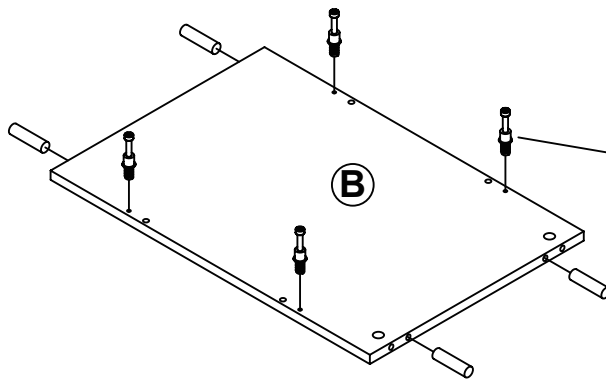
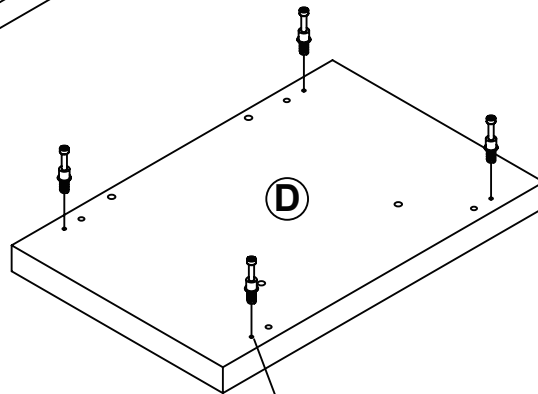
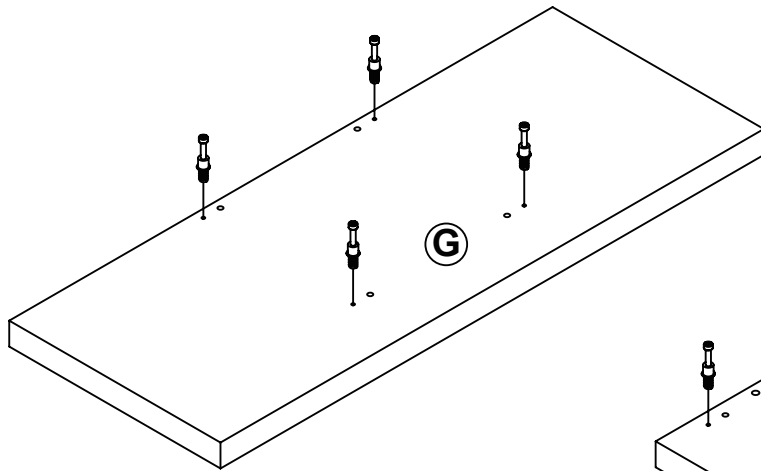
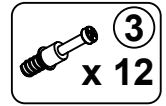
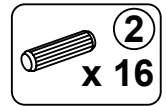
## HARDWARE IDENTIFICATION

Z	NO	DESCRIPTION	FIGURE	Q'TY	NO	DESCRIPTION	FIGURE	Q'TY
	1	GLUE 40g		1 PC	5	BOLT Ø 9.5x55mm		4 PCS
	2	WOODEN DOWEL Ø 8x30mm		24 PCS	6	SCREW Ø 4.5x42mm		4 PCS
	3	CAM BOLT Ø 7x35.5mm		16 PCS	7	PLASTIC FEET Ø 15mm		4 PCS
	4	CAM LOCK Ø 15x12mm		16 PCS	8	STICKER Ø 20mm		4 PCS

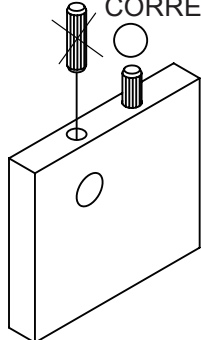
### NOTE:

Phillips head screw driver is required in the assembly process; however, manufacturer does not provide this item.

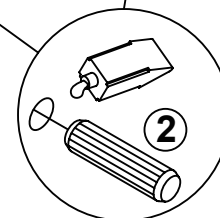
# STEP 1



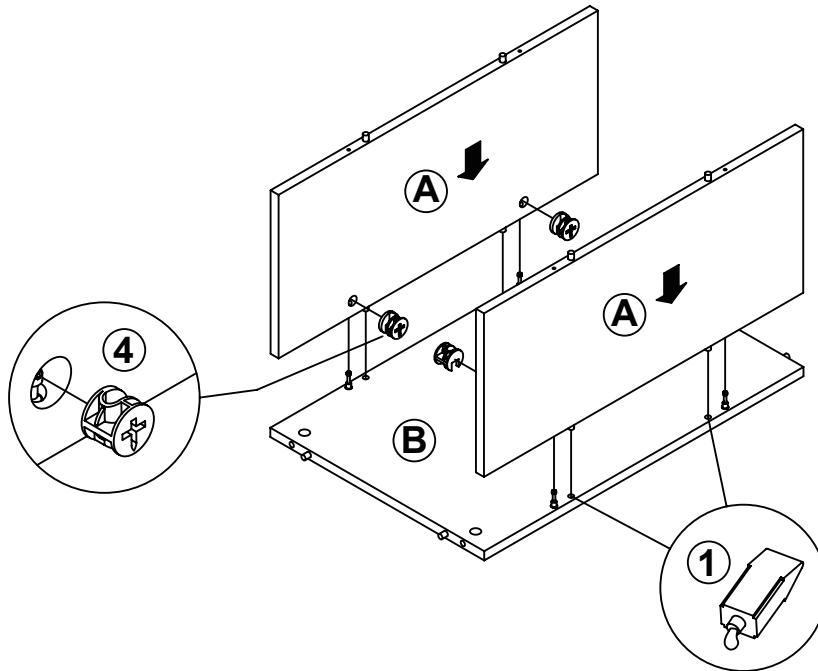
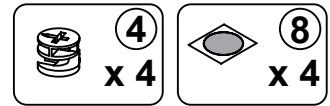
INCORRECT  
CORRECT



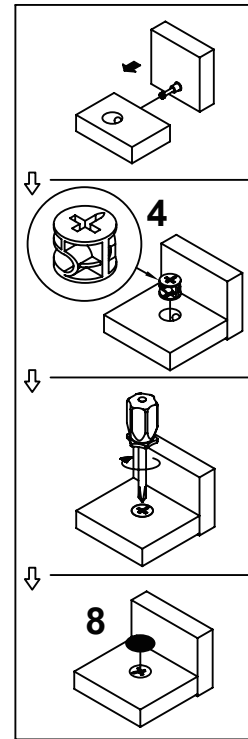
Apply glue on all wooden dowels to ensure integrity of the structure.



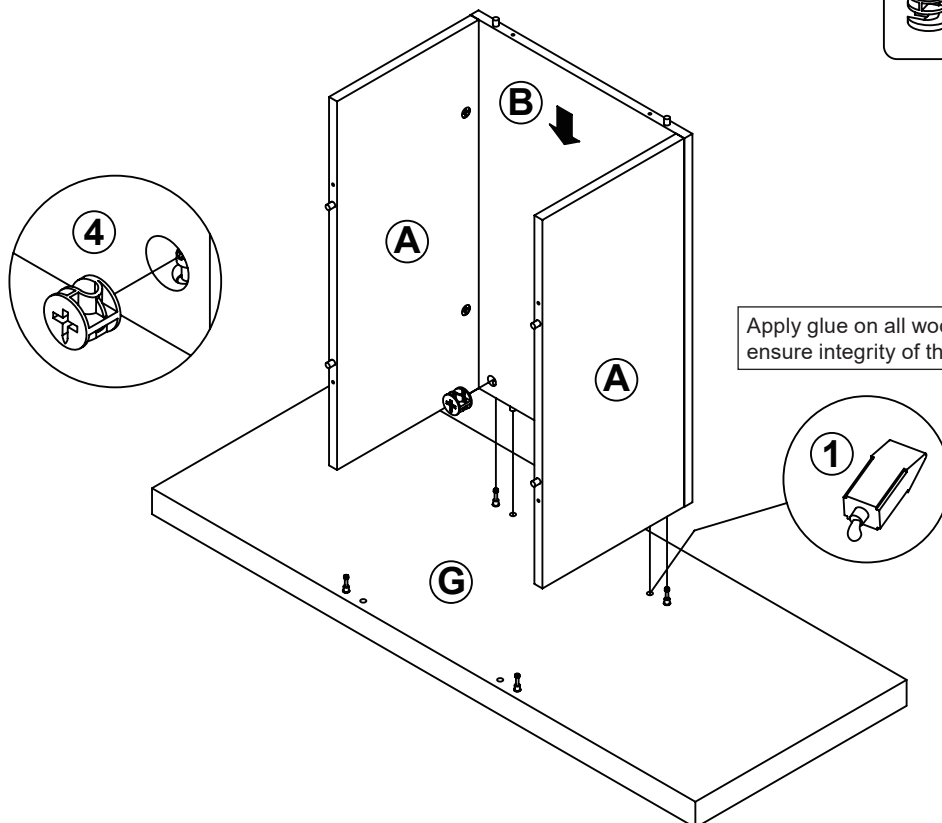
## STEP 2



Apply glue on all wooden dowels to ensure integrity of the structure.

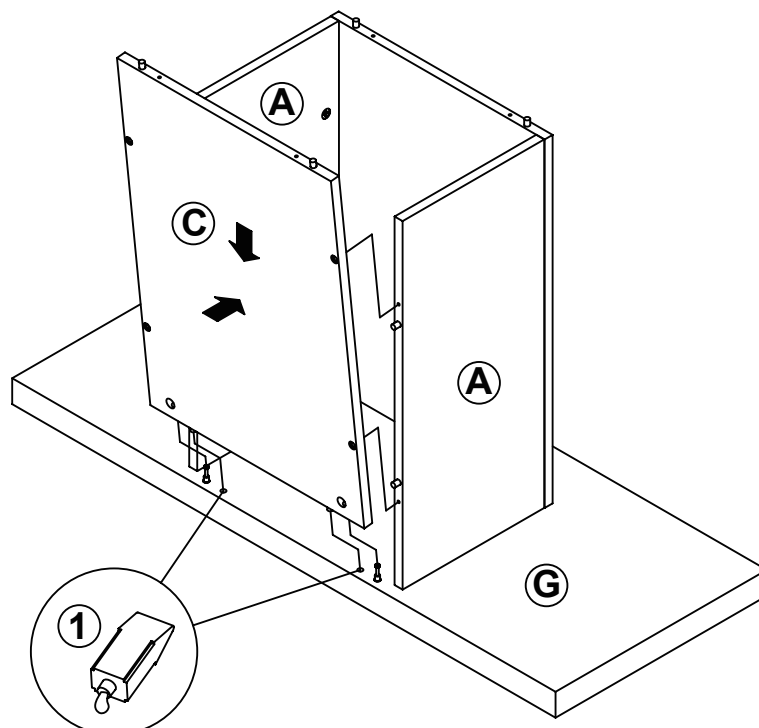


## STEP 3



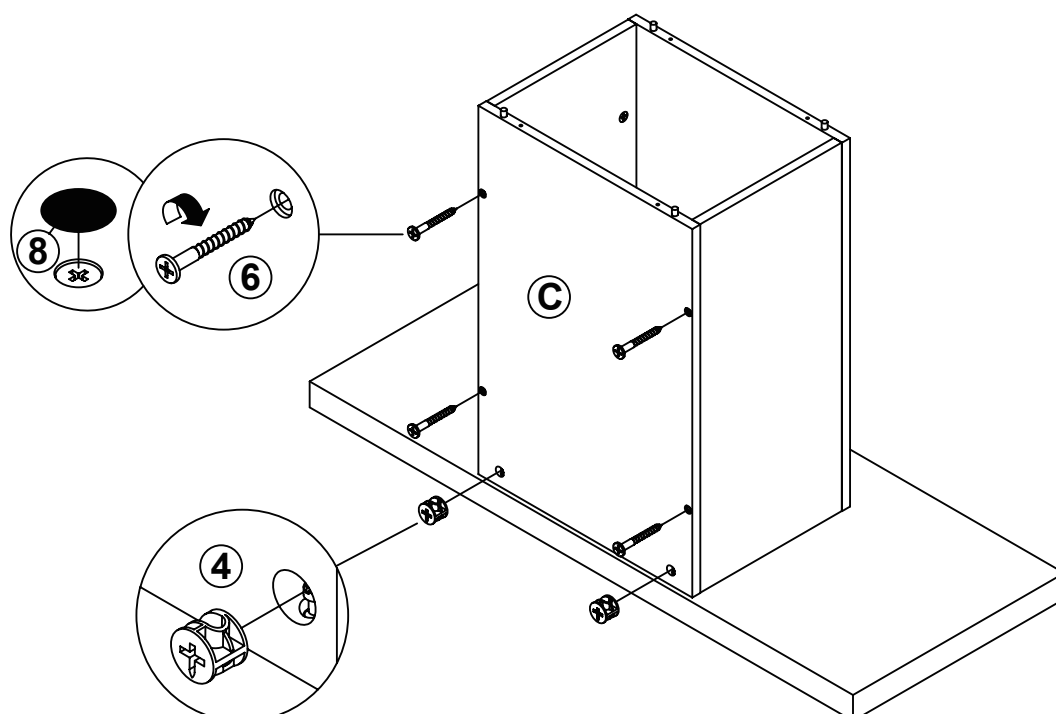
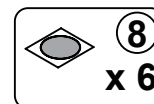
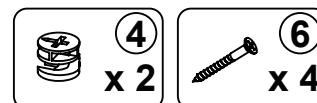
Apply glue on all wooden dowels to ensure integrity of the structure.

## STEP 4

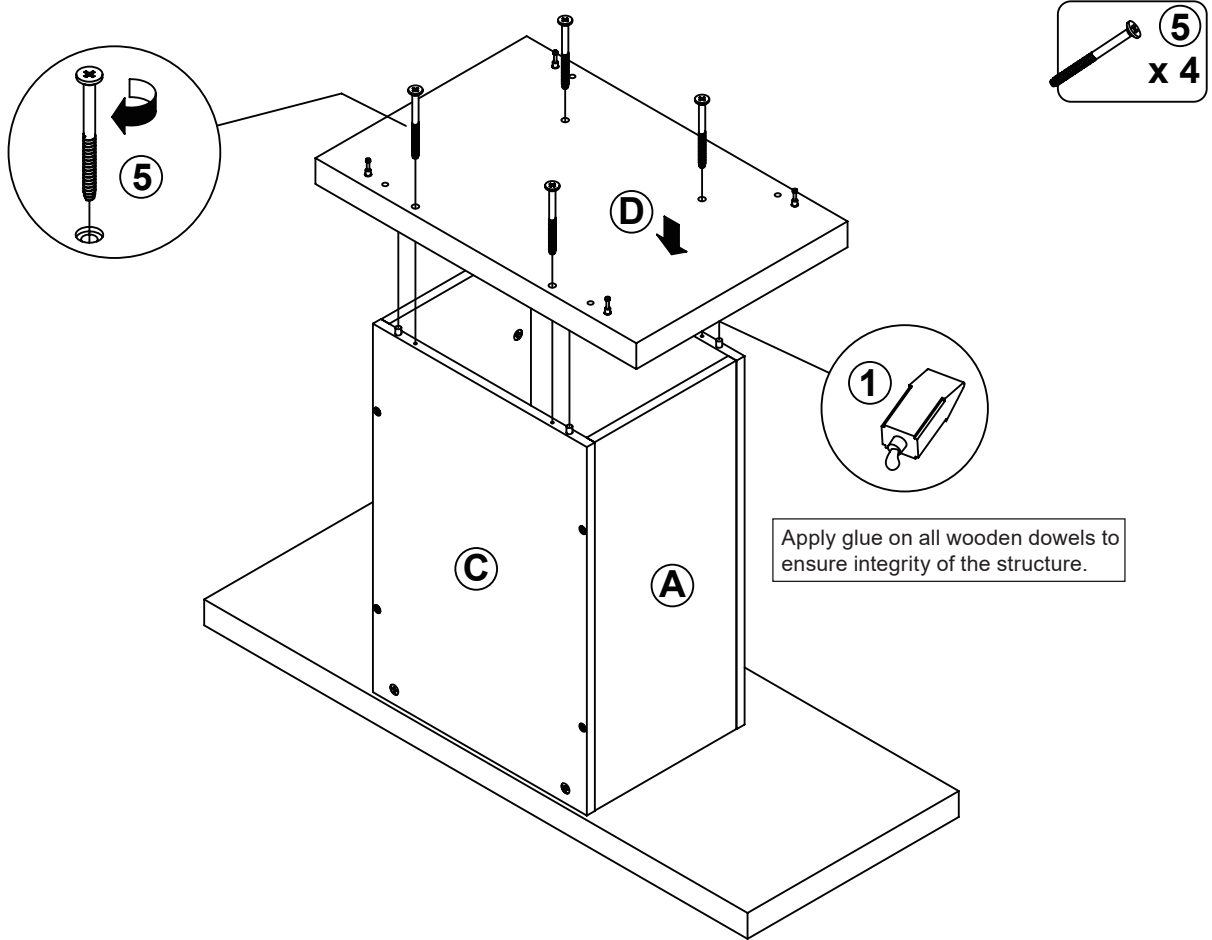


Apply glue on all wooden dowels to ensure integrity of the structure.

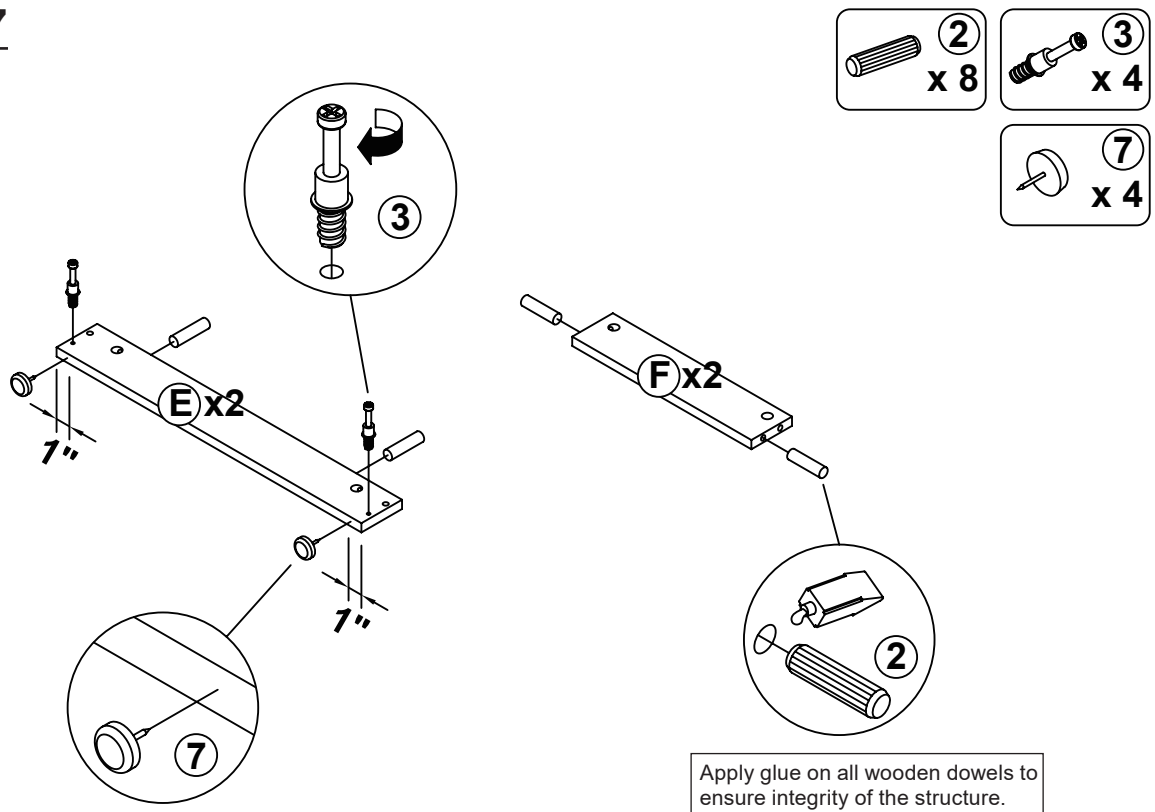
## STEP 5



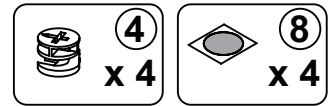
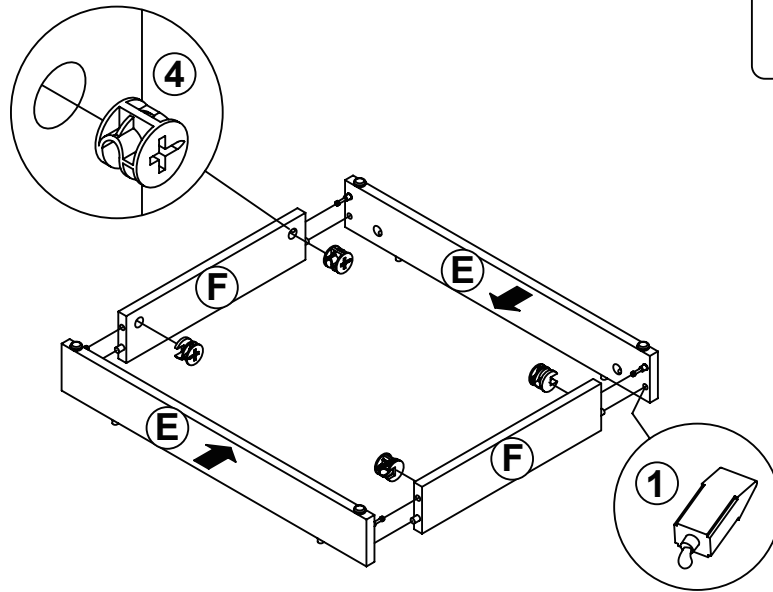
## STEP 6



## STEP 7

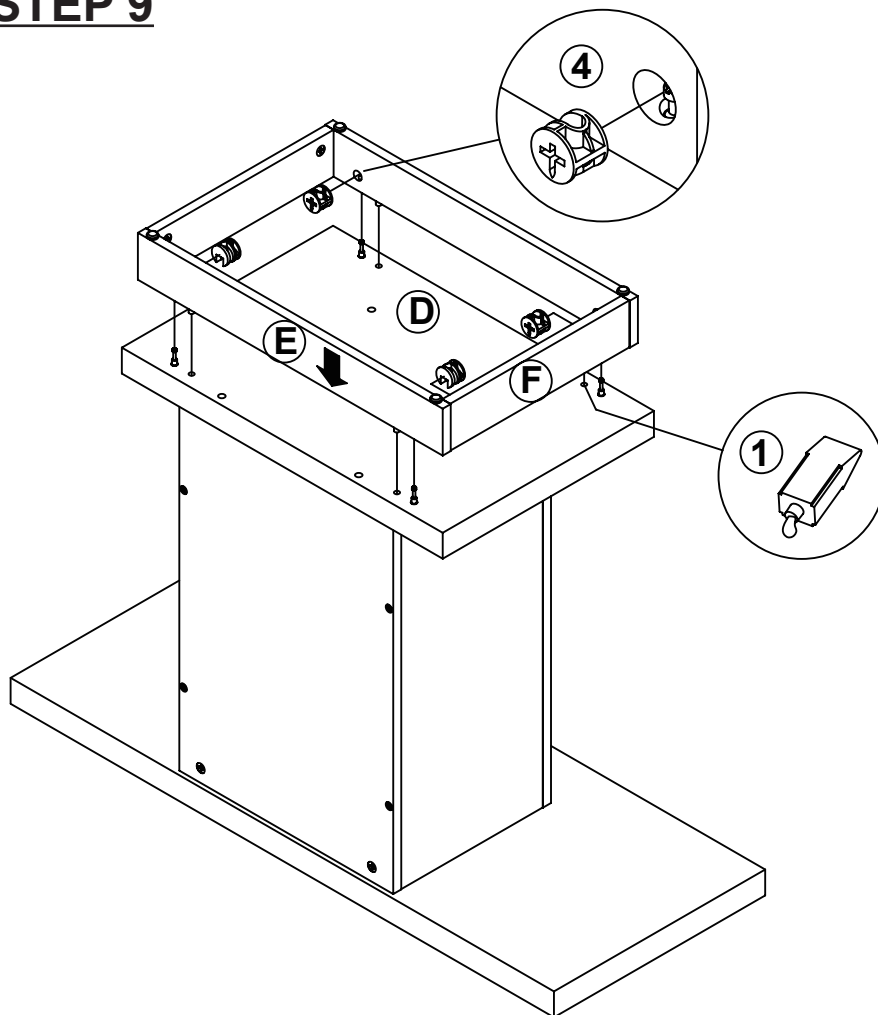


## STEP 8

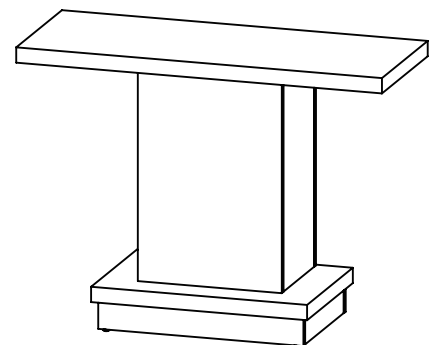


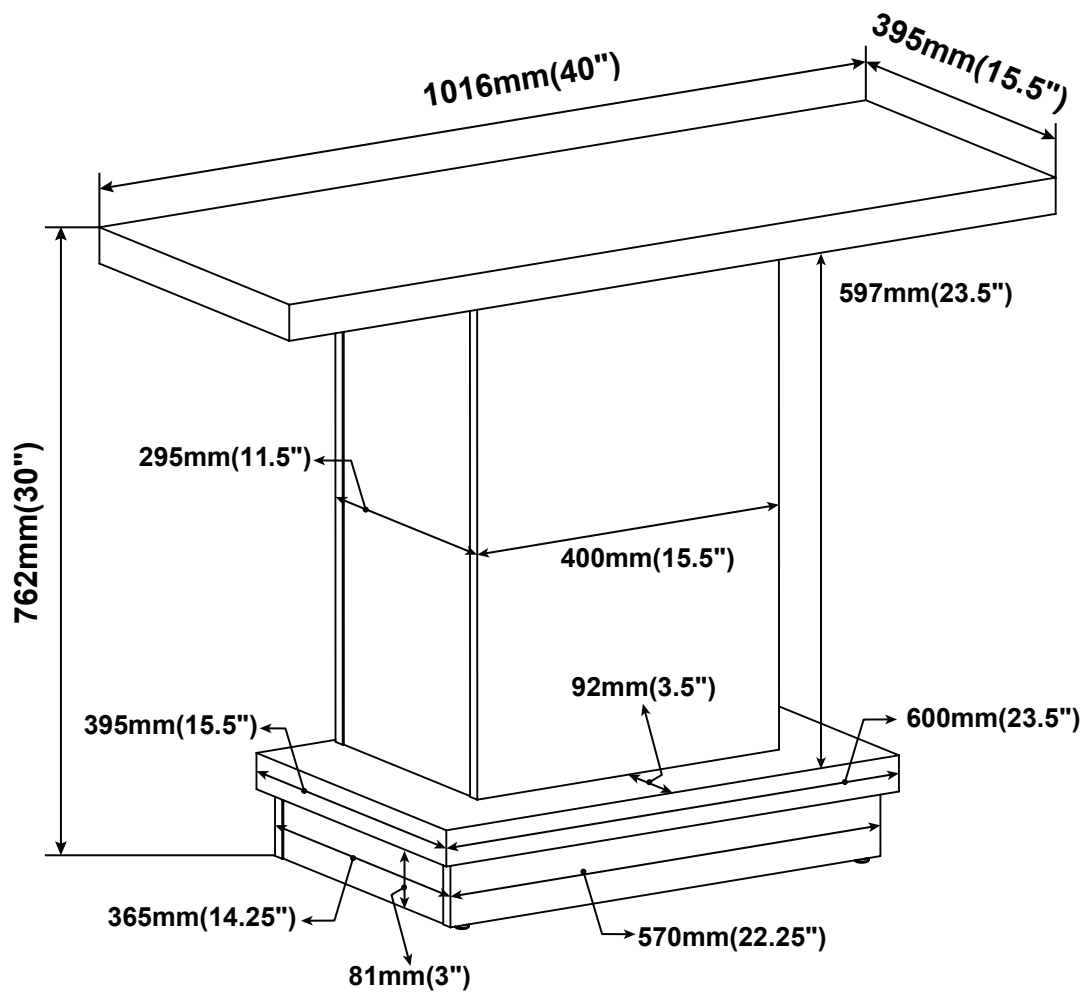
Apply glue on all wooden dowels to ensure integrity of the structure.

## STEP 9



**COMPLETE**





**Note :** Dimension tolerance  $\pm 5\%$