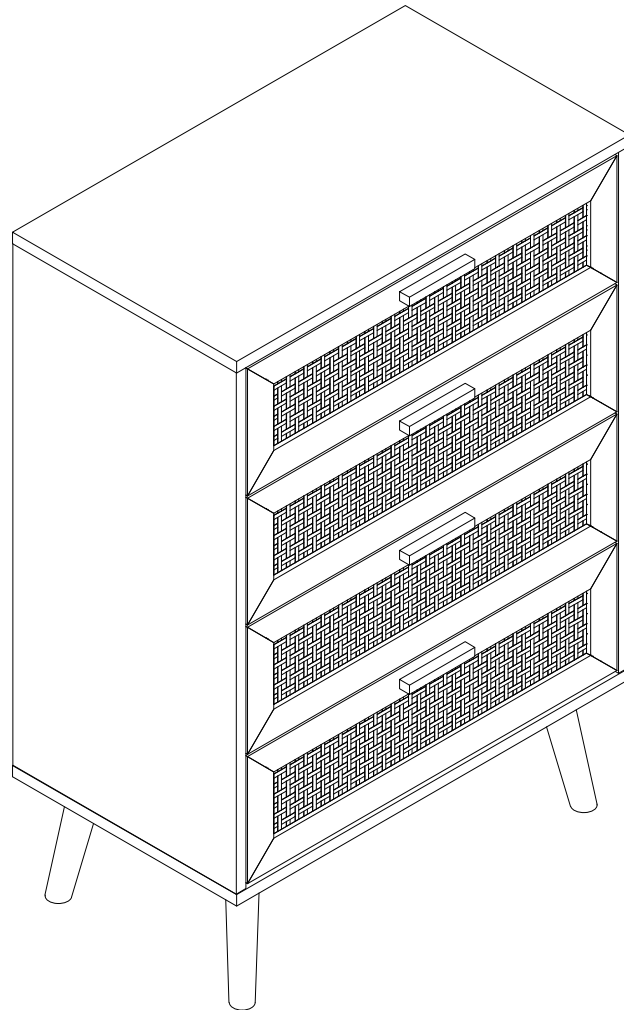


4 DRAWER CABINET

Assembly instruction- Please keep for future reference



Dimensions	No. People	Assembly Time
Width: 60 cm Depth: 34 cm Height: 88 cm		60 mins (approx)

Important-Please read these instructions fully before starting assembly

⚠ Safety and Care Advice

Important-Please read these instructions fully before starting assembly

- Check you have all the components and tools listed on pages 2,3 and 4.
- Remove all fittings from the plastic bags and separate them into their groups.
- Keep children and animals away from the work area, small parts could choke if swallowed.
- Make sure you have enough space to lay out the parts before starting.
- Do not stand or put weight on the product, this could cause damage.
- Assemble the item as close to its final position (in the same room) as possible.
- Assemble on a soft, level surface to avoid damaging the unit or your floor.
- We do not recommend the use of power drill/drivers for inserting screw, as this could damage the unit. only use hand screwdrivers.
- Dispose of all packaging carefully and responsibly.

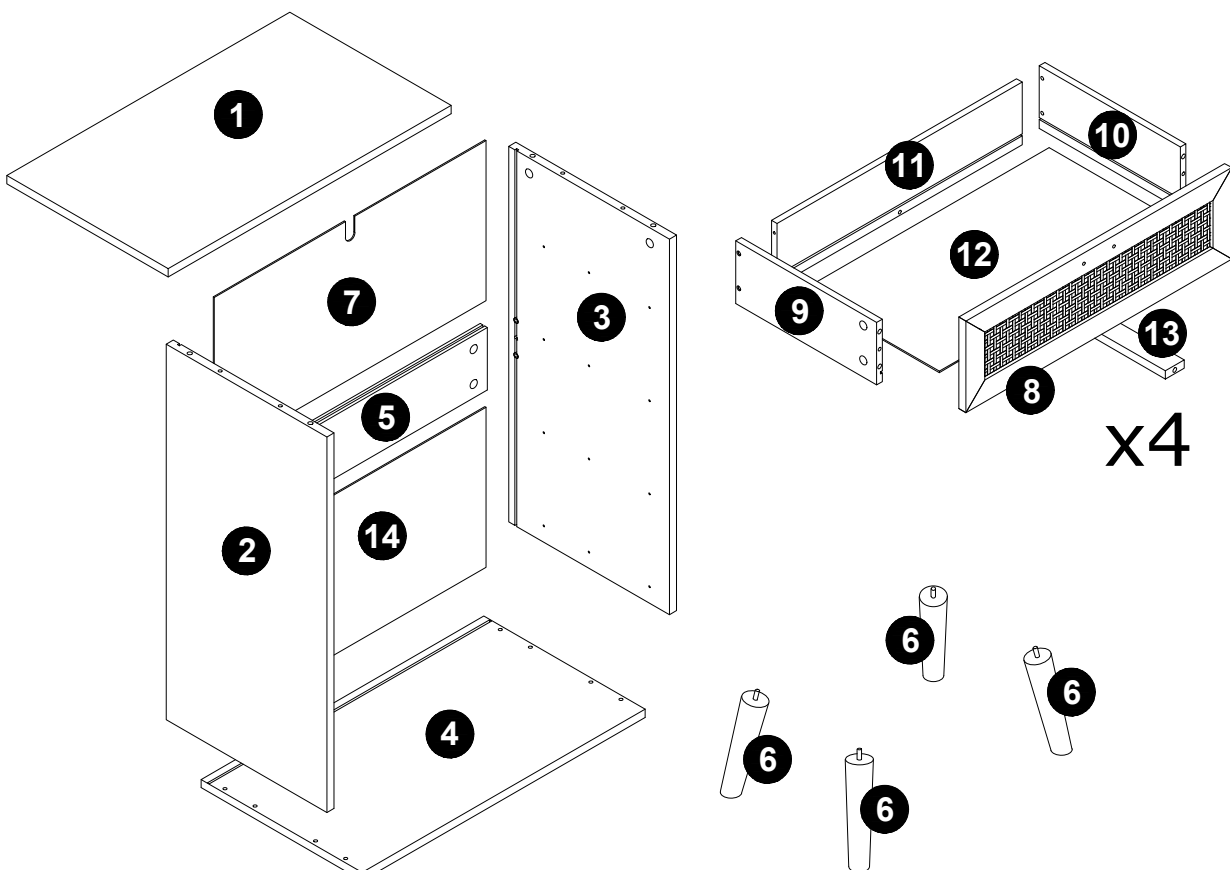


Care and Maintenance

- Only clean using a damp cloth and mild detergent, do not use bleach or abrasive cleaners.
- From time to time check that there are no loose screws on this unit.
- This product should not be discarded with household waste. Take to your local authority waste disposal centre.

If you are unhappy with the product and wish to return it, please following the retailer's returns procedure.

Components - Panels

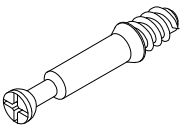
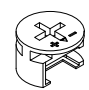
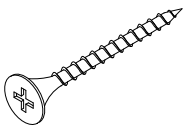
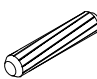
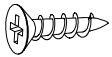

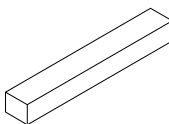
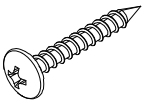
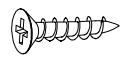
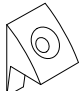
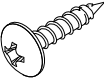
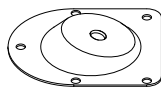
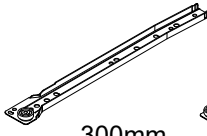
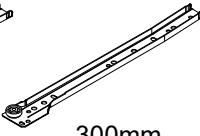
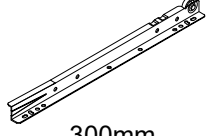
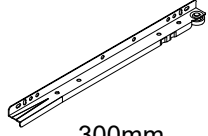


Components - Fixings

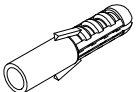
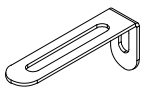
Please check that you have all the components listed below before constructing your item.

Note: The quantities below are the correct amount to complete the assembly. In some cases more fittings may be supplied than are required.

HARDWARE

(A)  M6x35mm x28	(B)  Ø 15x9mm x28	(C)  M4x40mm x25	(D)  M6x30mm x18	(E)  M3x12mm x48
(F)  Ø 25mm x4	(G)  x4	(H)  M4x25mm x8	(I)  M3x14mm x8	(J)  x8
(K)  M4x14mm x22	(L)  x4	(CL)  300mm	(CR)  300mm	(DL)  300mm
		(DR)  300mm		

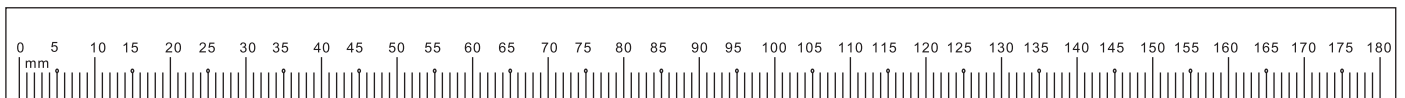
ANTI - TIPPING KITS

(M)  M6x30mm x1	(N)  x1
--	--

Tools Required (Not Provided)



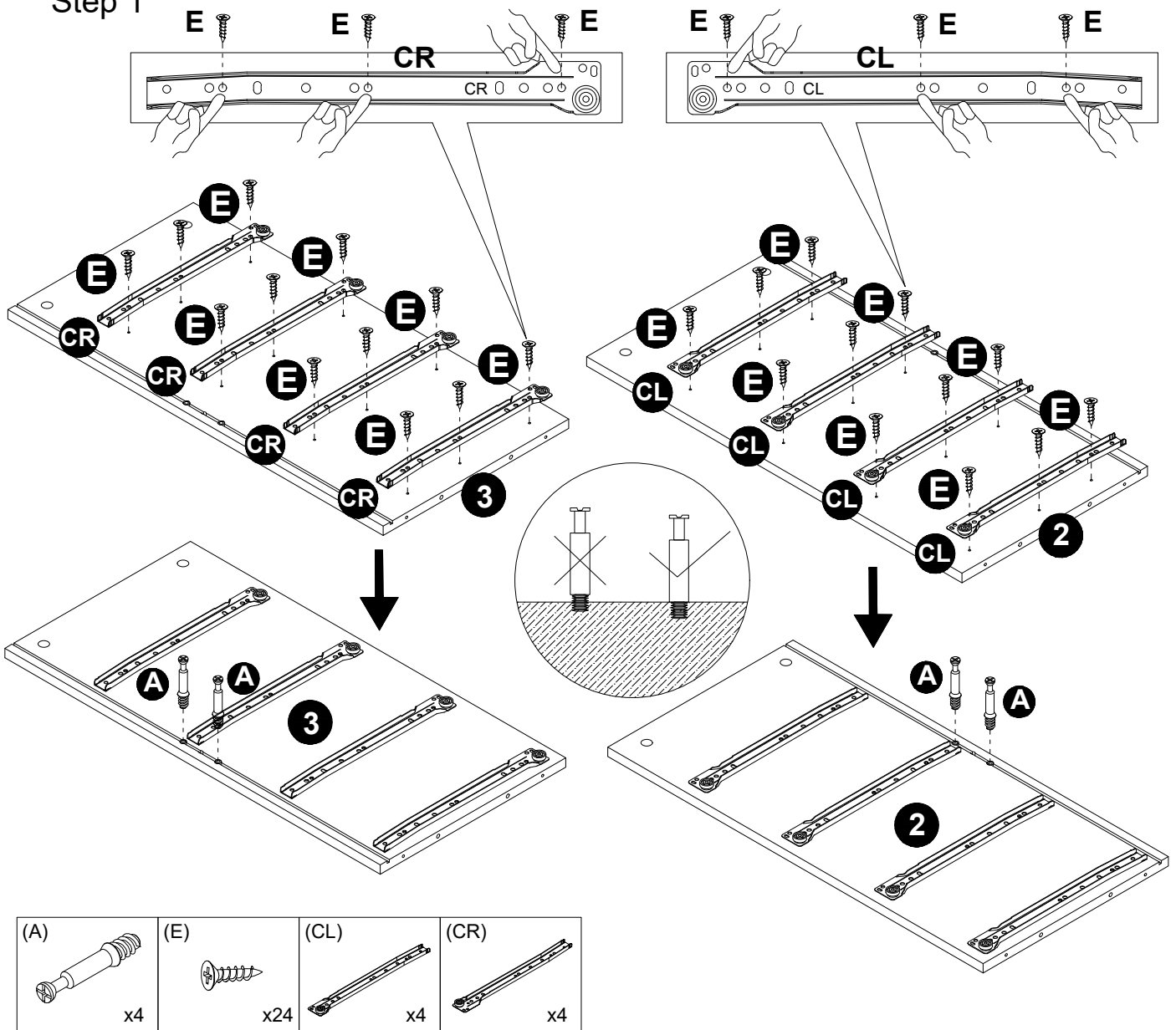
Ruler - Use this to measure your screws (mm)



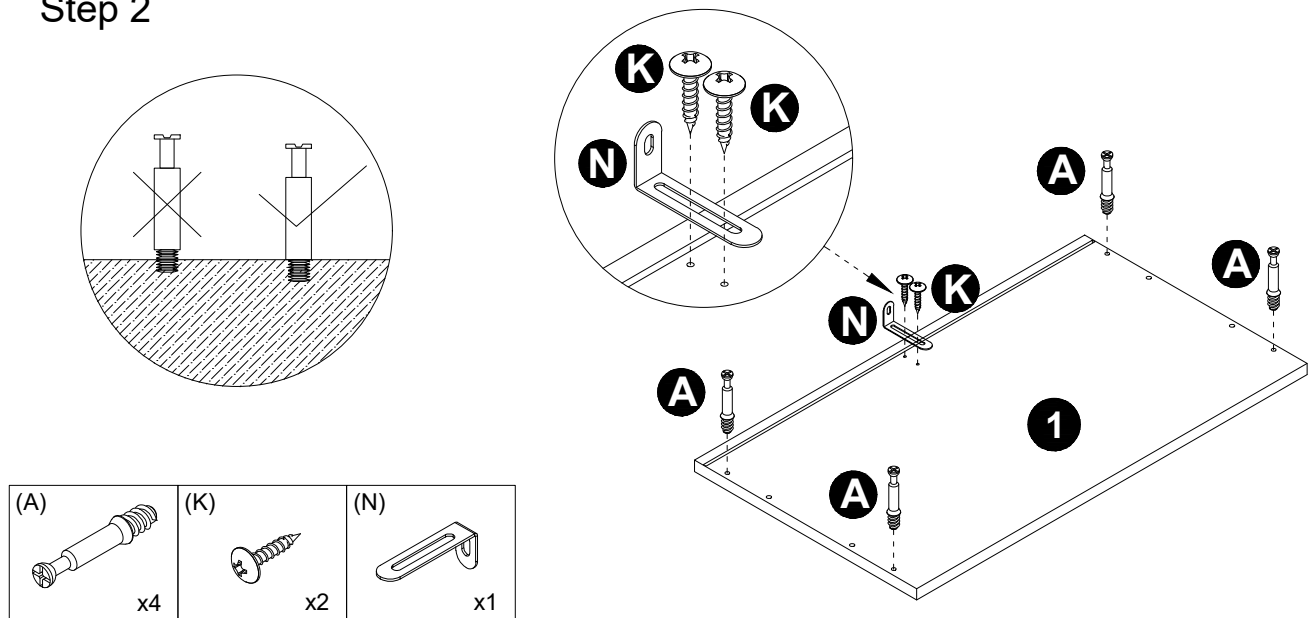
Important-Please read these instructions fully before starting assembly

Assembly Instructions

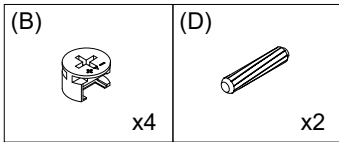
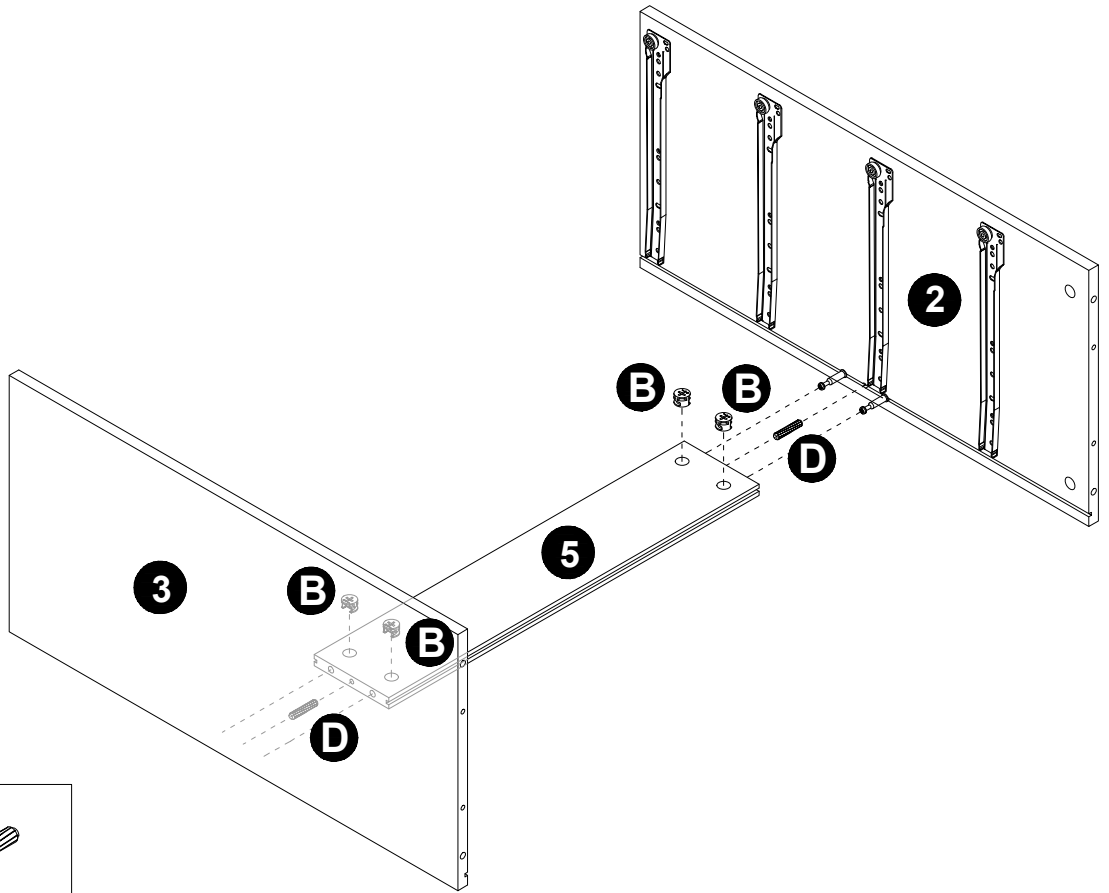
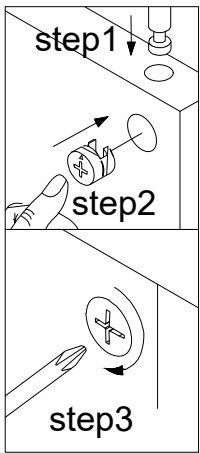
Step 1



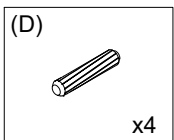
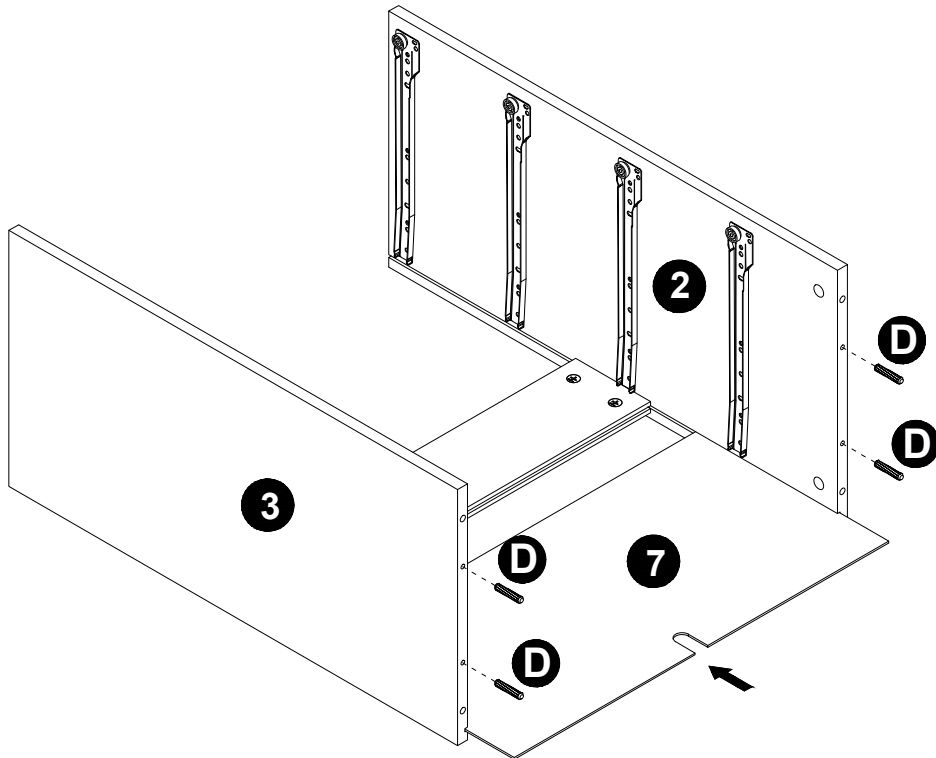
Step 2



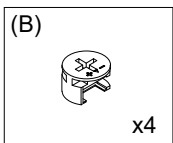
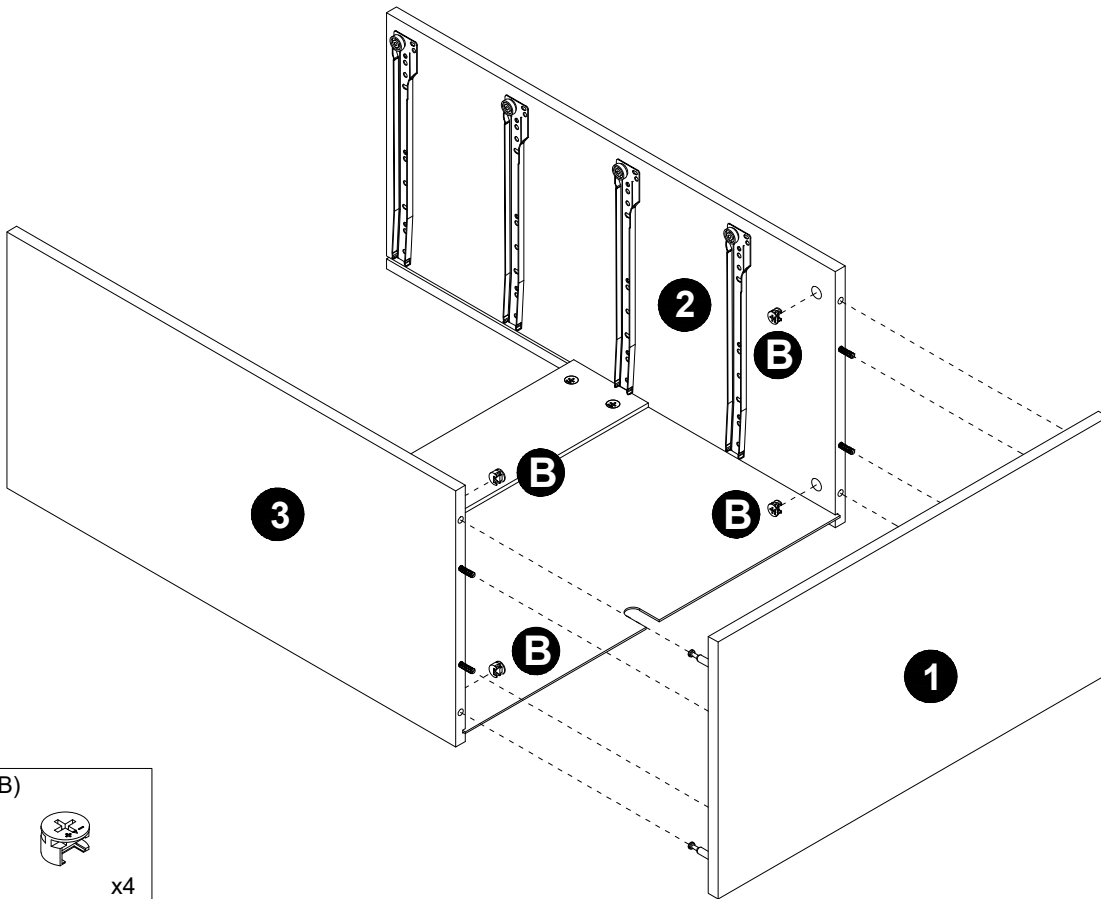
Step 3



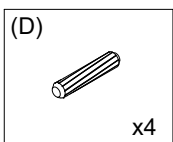
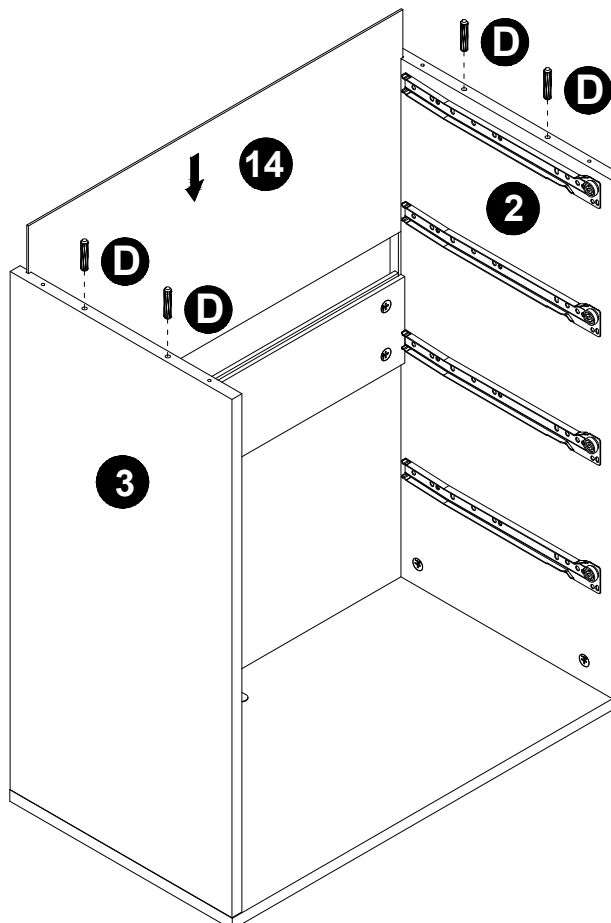
Step 4



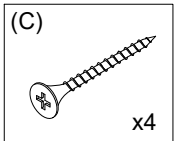
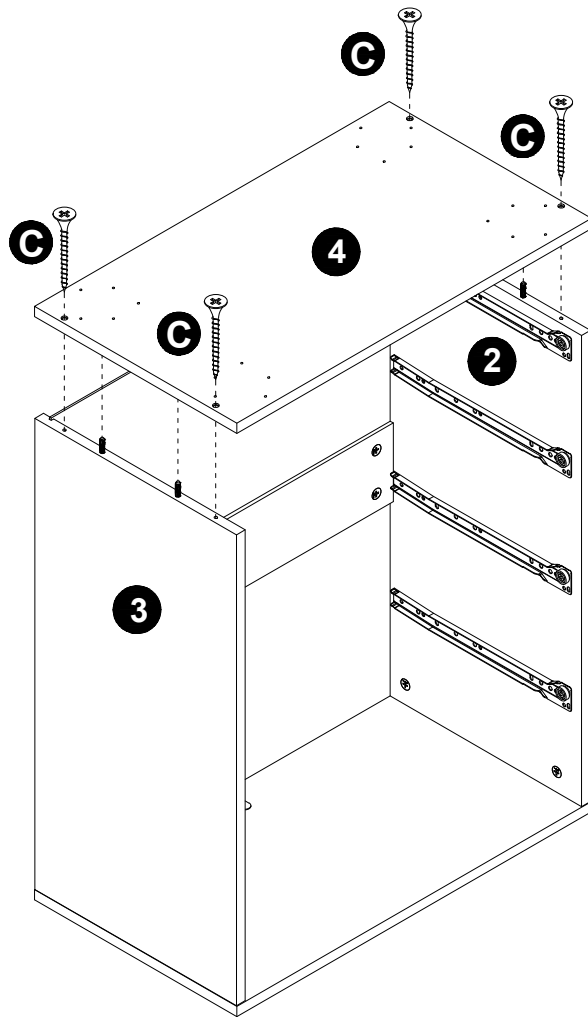
Step 5



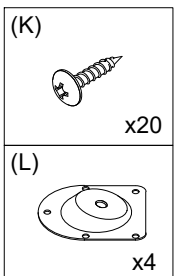
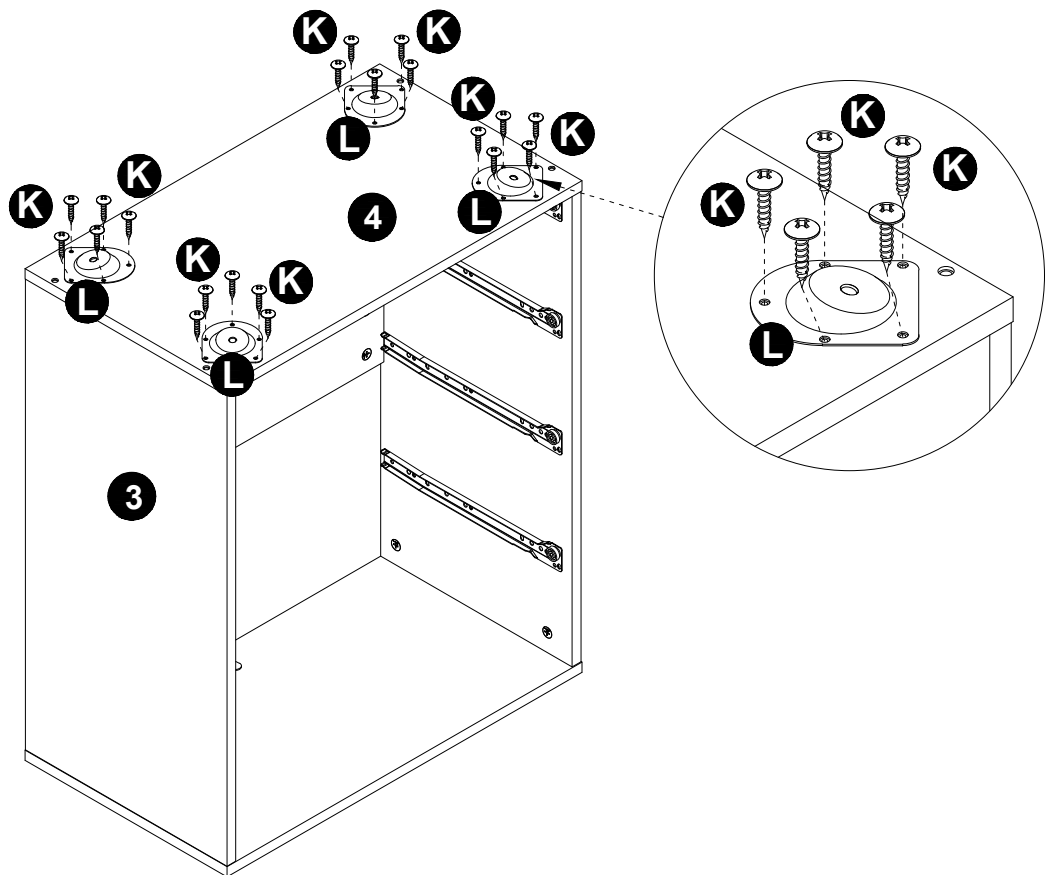
Step 6



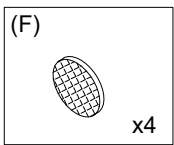
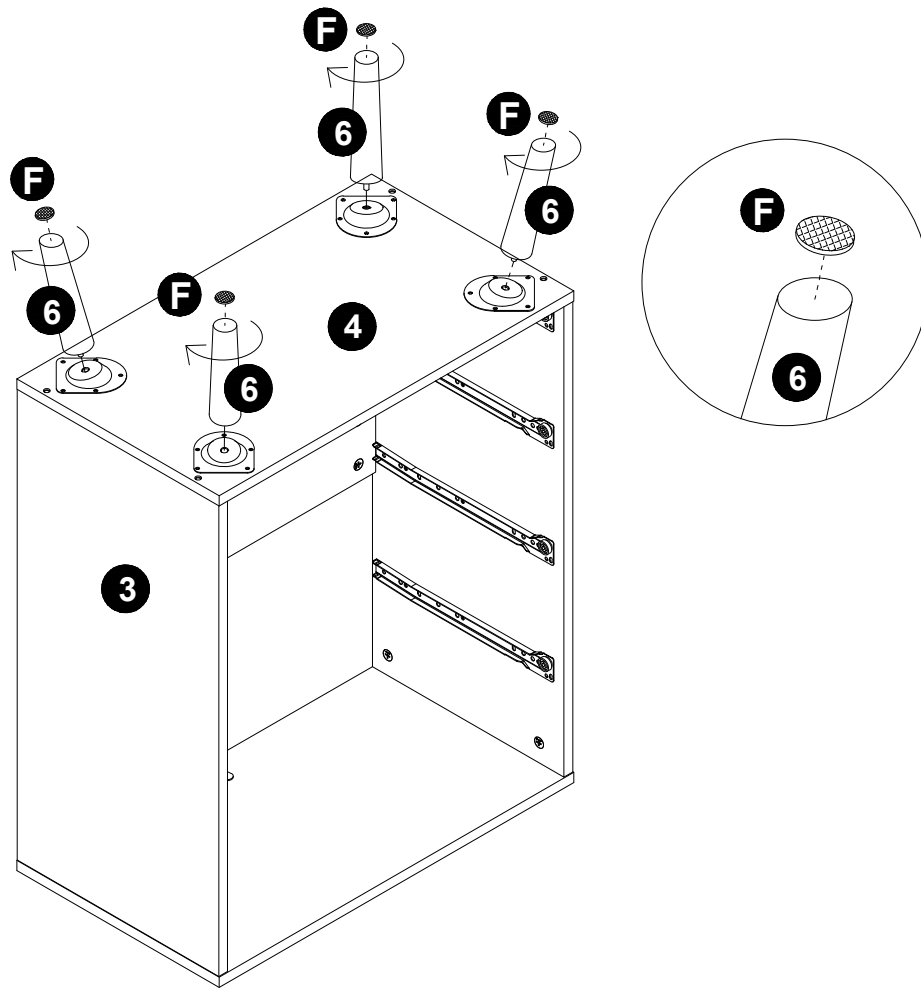
Step 7



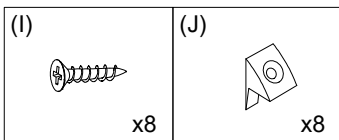
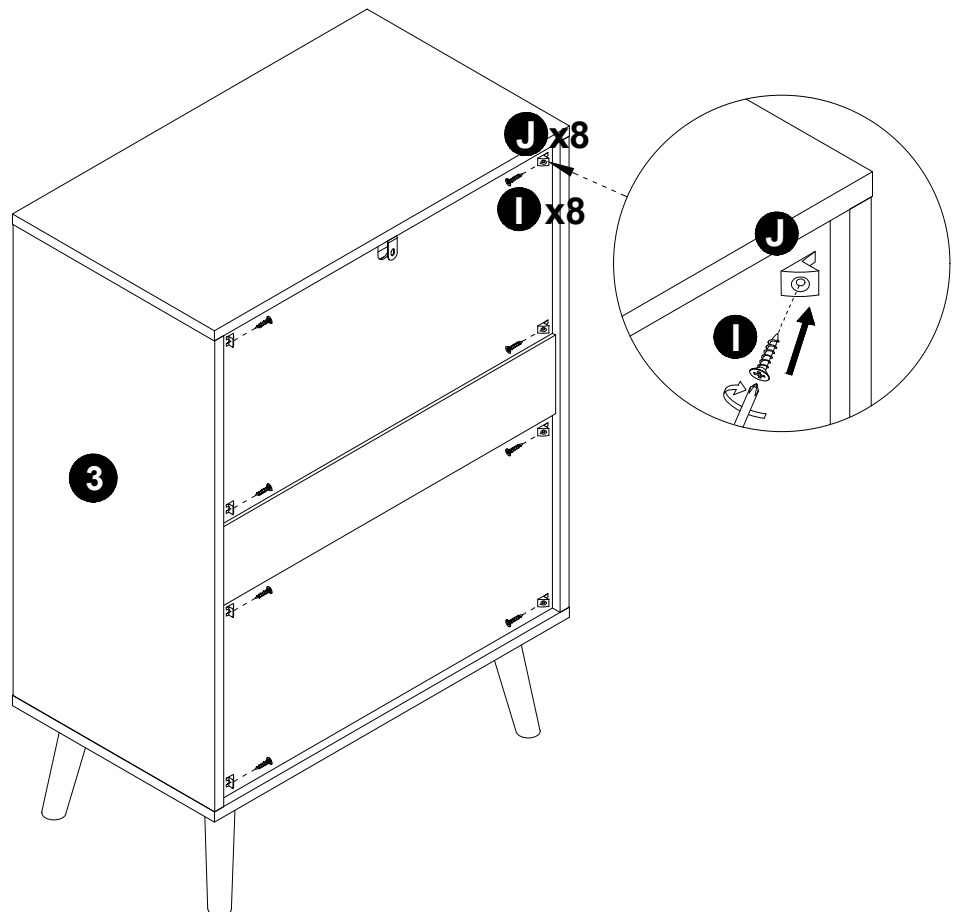
Step 8



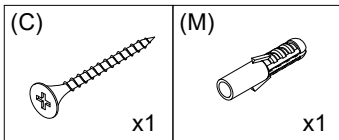
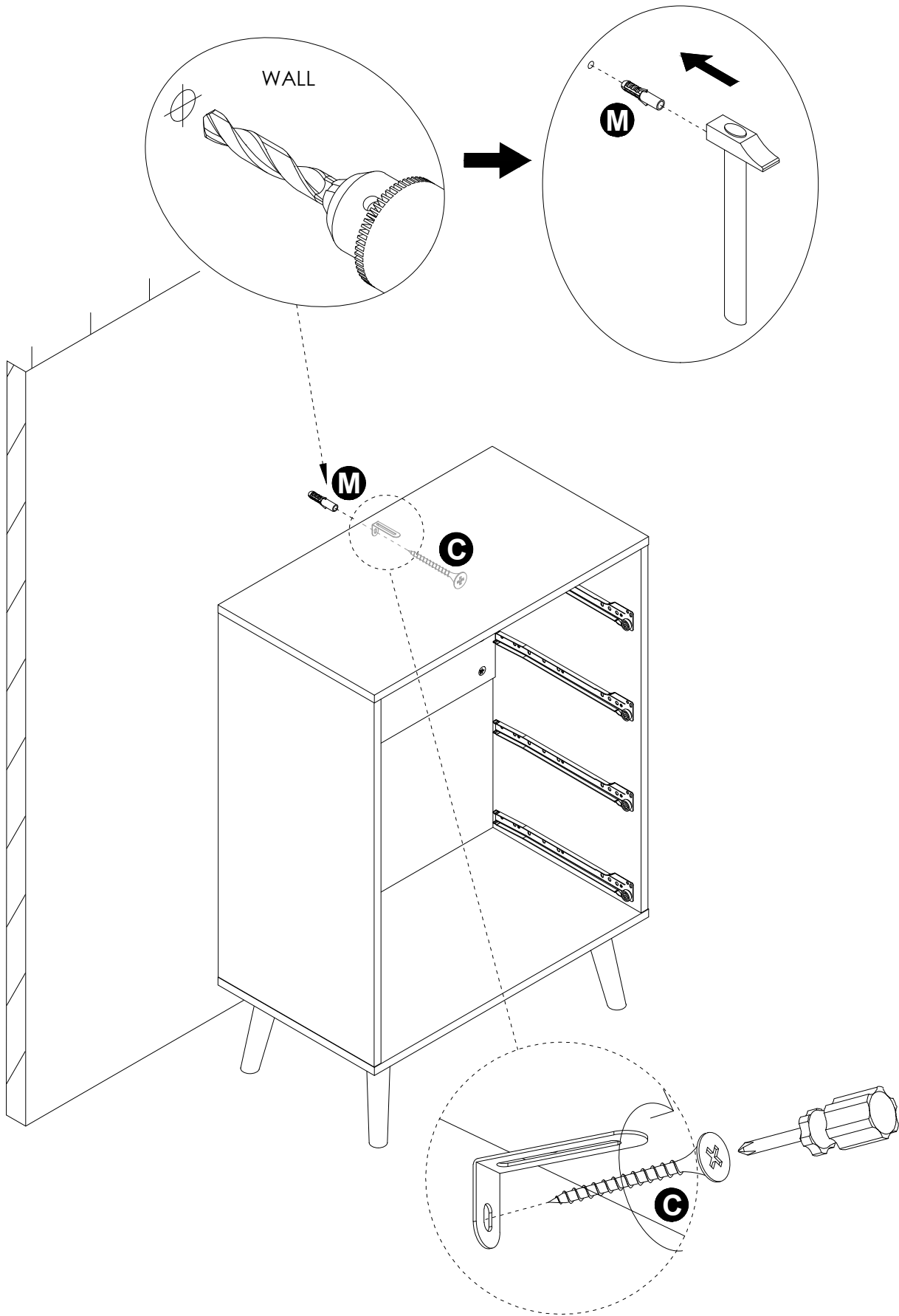
Step 9



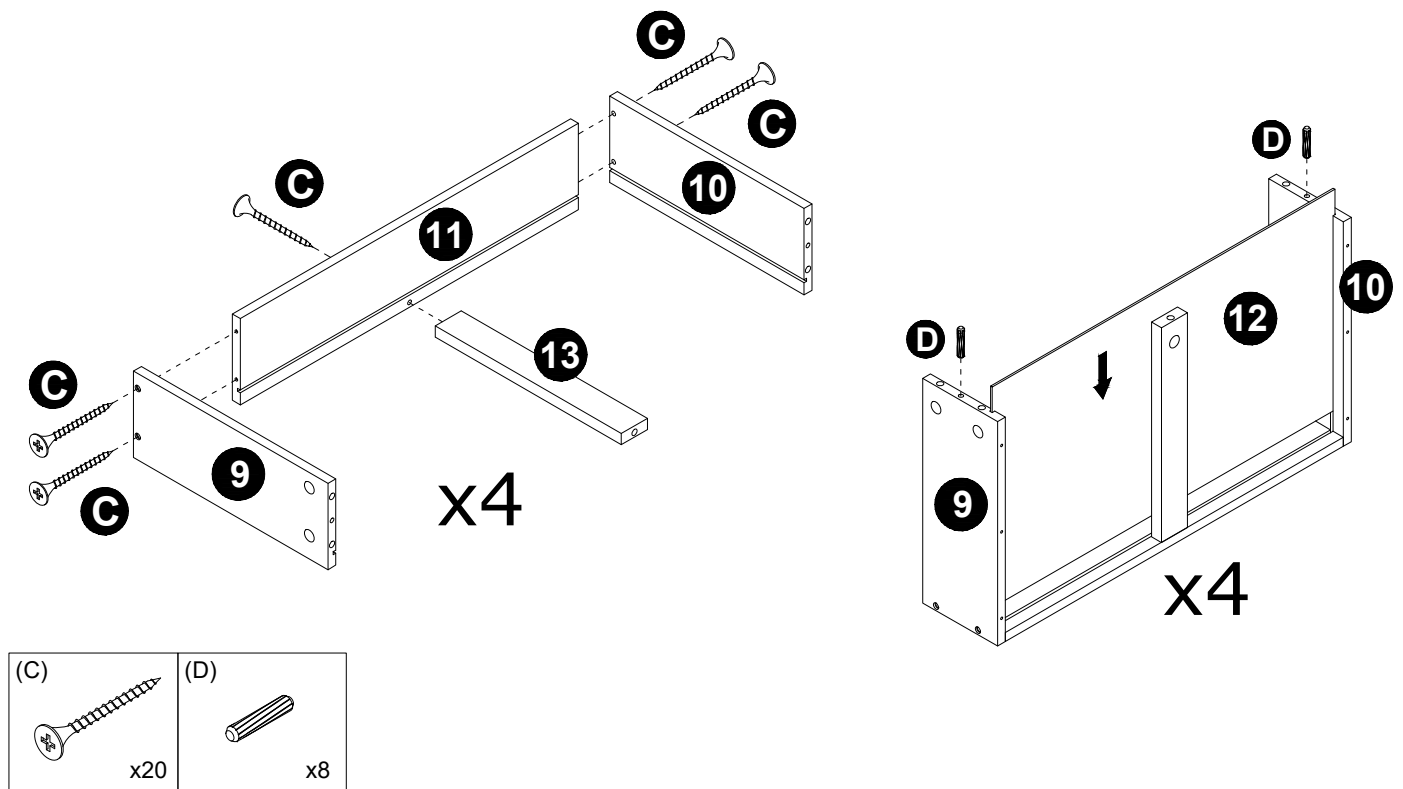
Step 10



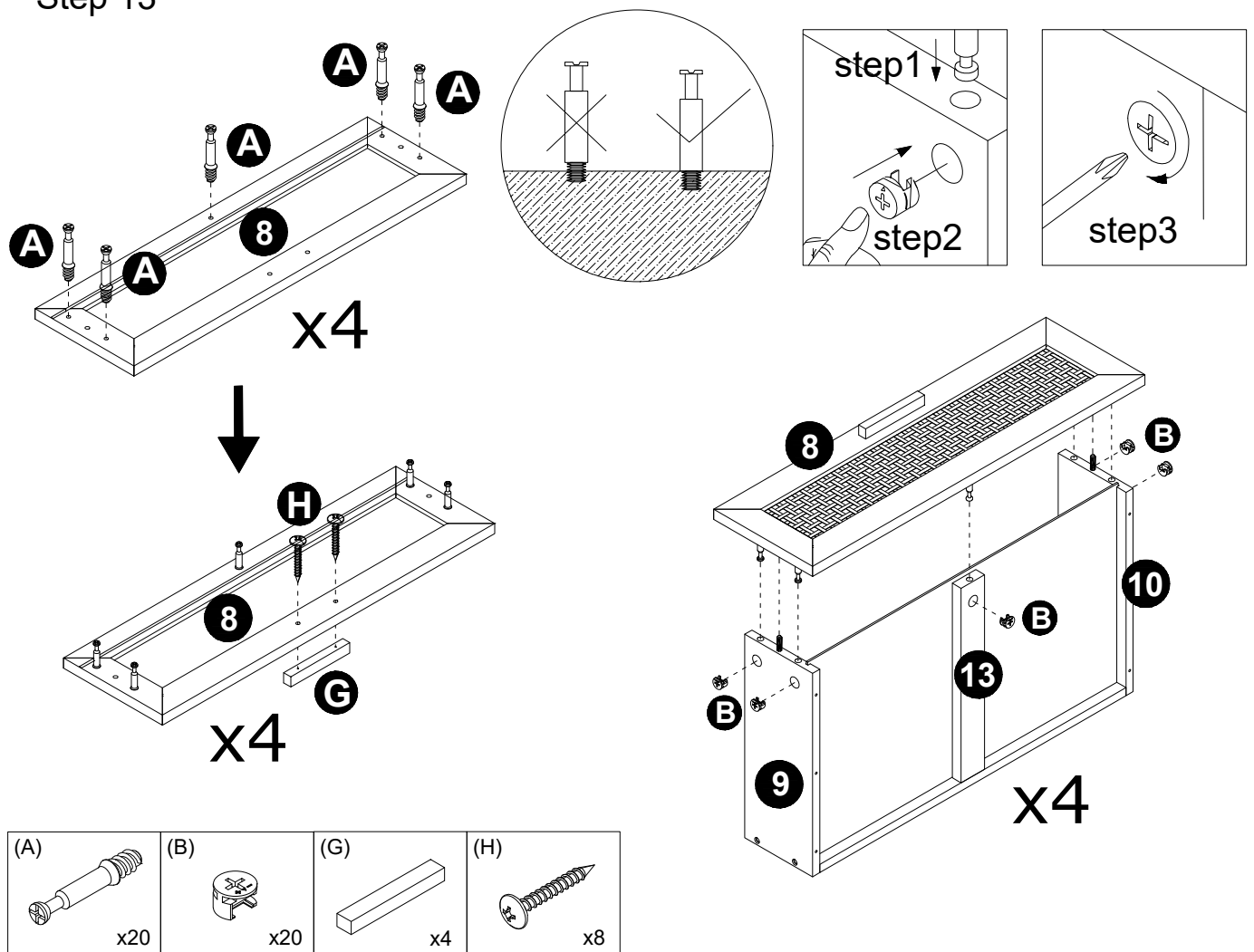
Step 11



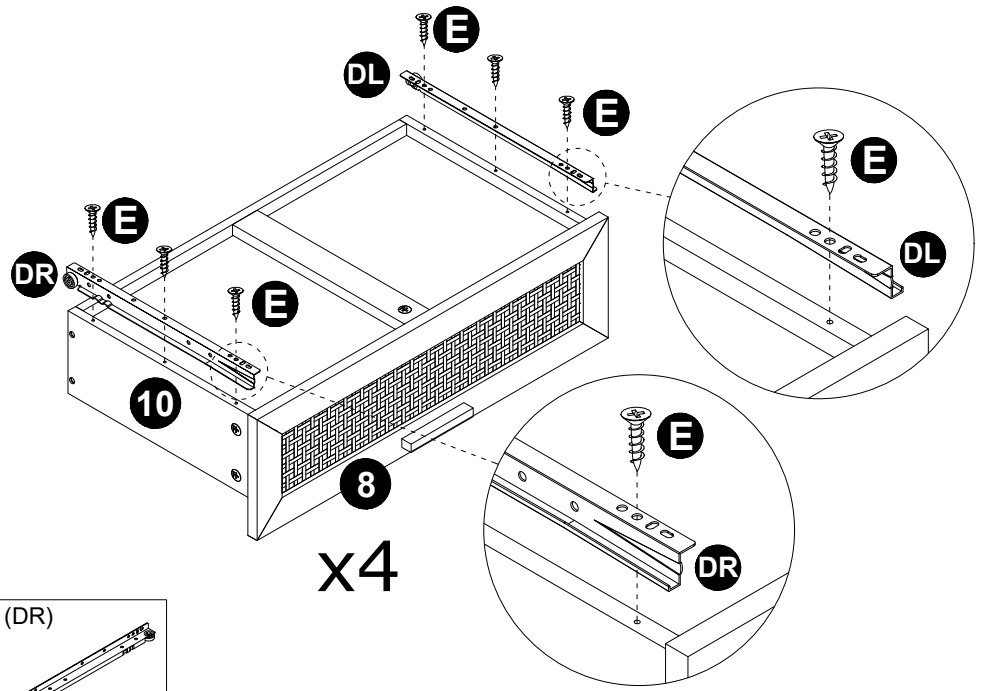
Step 12



Step 13



Step 14



Step 15

