



# **PORTABLE BARBECUE GRILL**

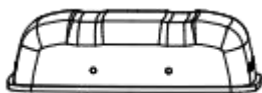
# SAFETY & WARNINGS

- The barbecue shall be heated up and the fuel kept red hot for at least 30 min prior to the first cooking.
- Do not cook before the fuel has a coating of ash.
- WARNING! This barbecue will become very hot, do not move it during operation.
- Do not use indoors!
- WARNING! Do not use spirit or petrol for lighting or re-lighting!
- WARNING! Keep children and pets away.

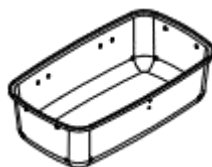
# COMPONENTS



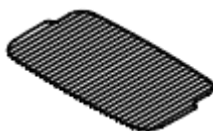
1: (x1)



2: (x1)



3: (x1)



4: (x1)



5: (x2)



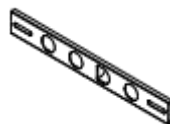
6: (x2)



7: (x2)



8: (x1)



9: (x1)



10: (x1)



11: (x1)



12: (x1)



13: (x1)



14: (x1)



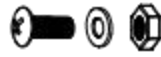
A: (x2)  
M4 x 10



B: (x17)  
M5 x 12



C: (x6)  
M5



D: (x2)  
M5 x 12



E: (x2)

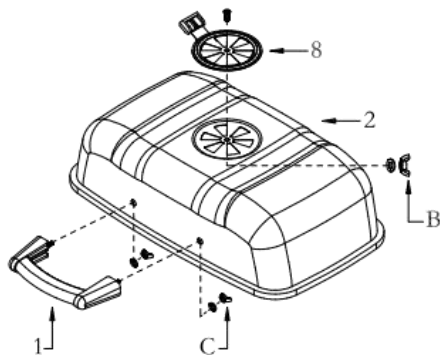


F: (x2)

# INSTALLATION

## Step 1

Place 2 on a flat surface. Attach 1 to 2 with C as shown. Attach 8 on the top of 2 with B.

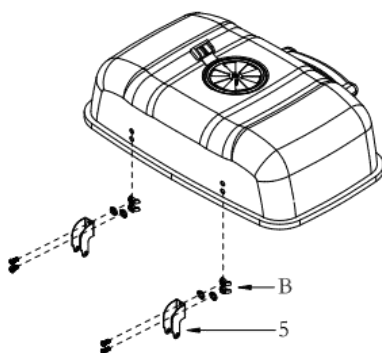


B: M5x12 1Pc

C: M5 2Pcs

## Step 2

Attach two 5 to another side of 2 with B as shown in the figure.

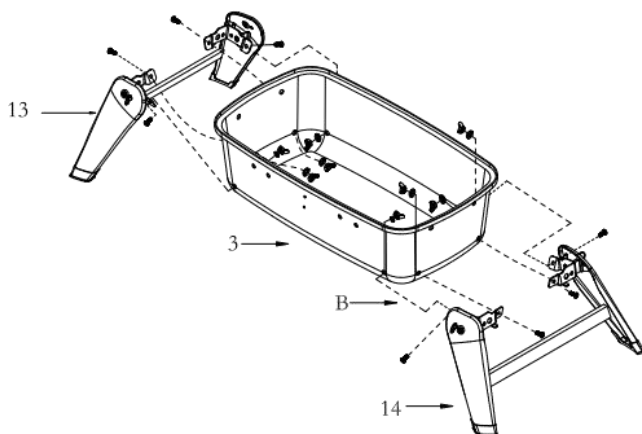


B: M5x12 4Pcs

5

### Step 3

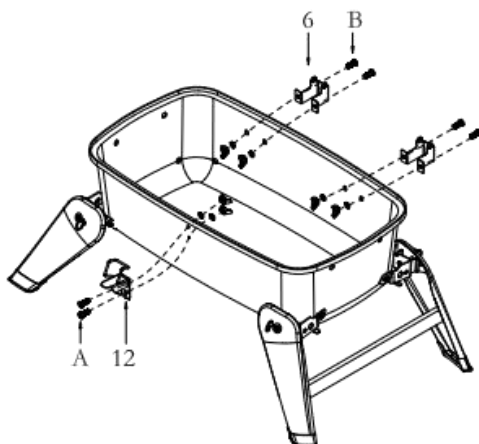
Attach 13 and 14 to 3 with B.





B: M5x12  8Pcs

### Step 4

Attach two 6 and a 12 to the corresponding position of 3 with B and A as shown.

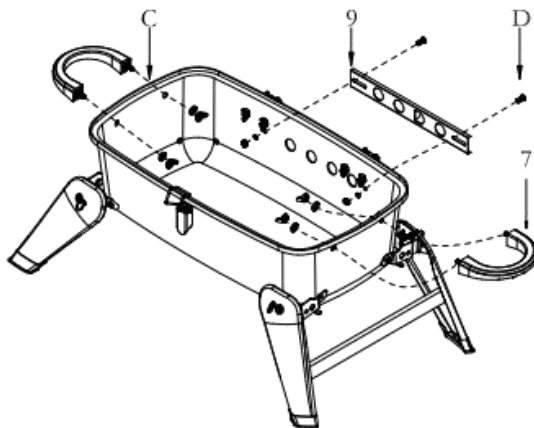


A: M4x10  2Pcs




B: M5x12  4Pcs

## Step 5

Attach two 7 to both sides of 3 with C as shown. Attach 9 to the corresponding position of 3 with D.

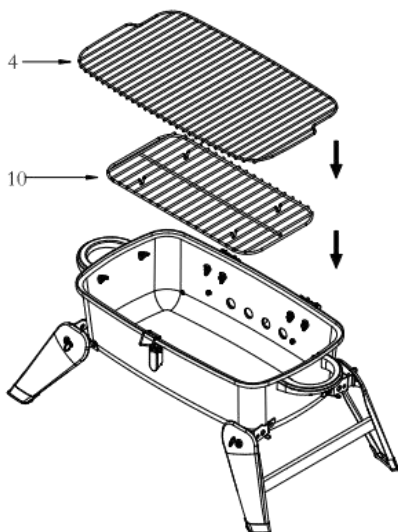


C: M5  4Pcs

D: M4x10    2Pcs

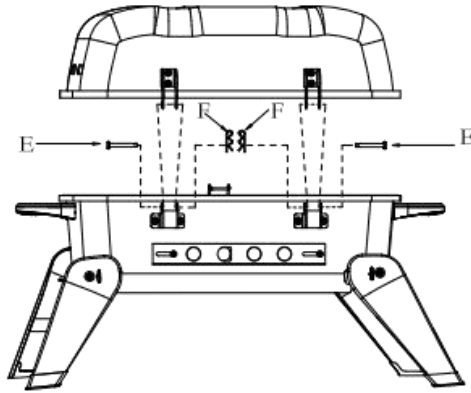
## Step 6

Put 10 and 4 inside the 3 as shown in the picture.



### Step 7

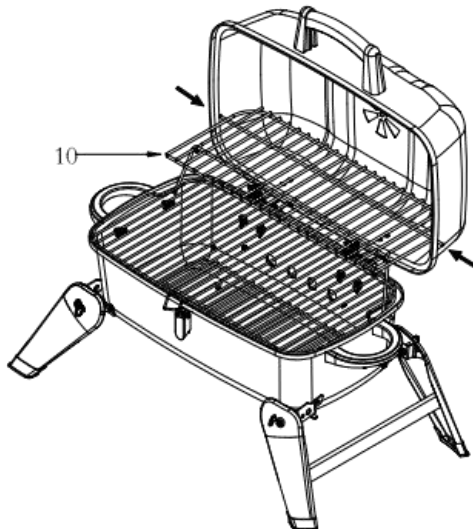
Attach the assembled part of step 2 to the assembled part of step 6 with E and F.



- E:  2Pcs
- F:  2Pcs

### Step 8

Attach 10 to the corresponding position of BBQ grill as shown.



# CLEANING & CARE

- To ensure safe and proper maintenance, we recommend you follow these directions carefully.
- Clean internal parts of the grill regularly as determined by the amount of use and foods cooked. The entire grill should be cleaned at least once a year.
- In addition, keep the area around your grill or cart clear and free from combustible materials, gasoline, and other flammable vapors and liquids.
- Do not obstruct the flow of combustion and ventilation air.