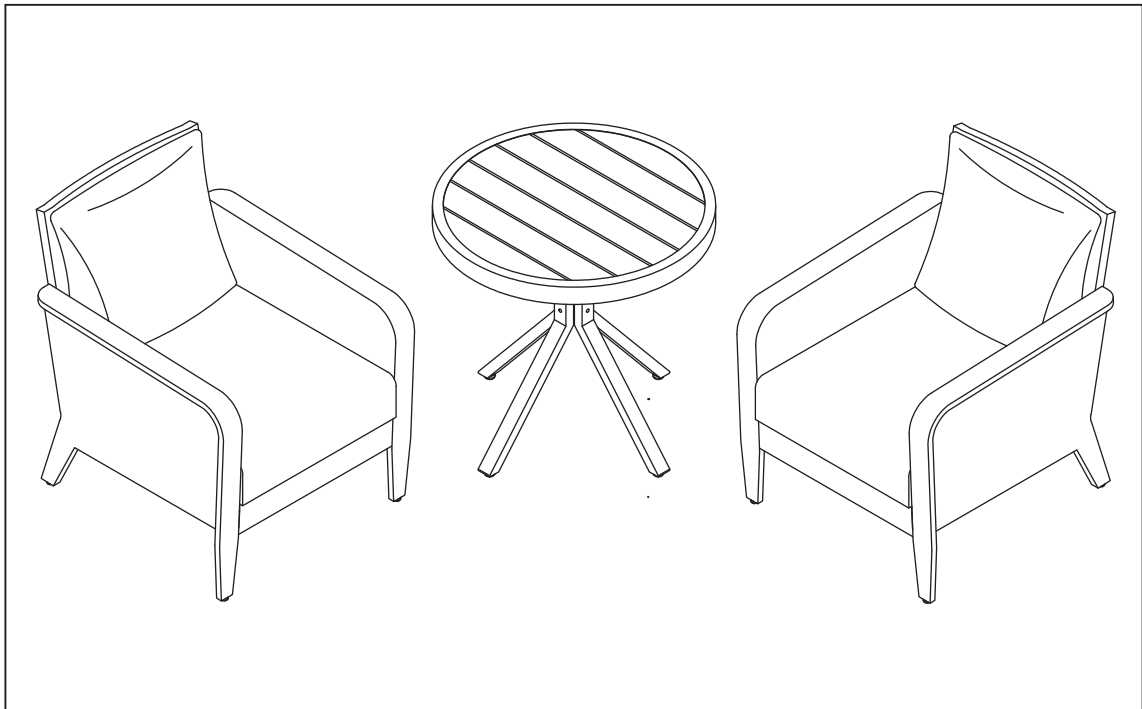


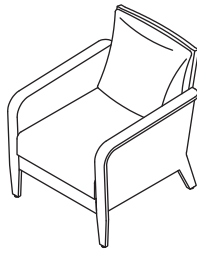
2 Club Chairs & Side Table

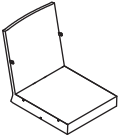



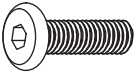
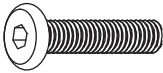



ASSEMBLY INSTRUCTIONS

**IMPORTANT, RETAIN FOR FUTURE REFERENCE.
READ CAREFULLY.**

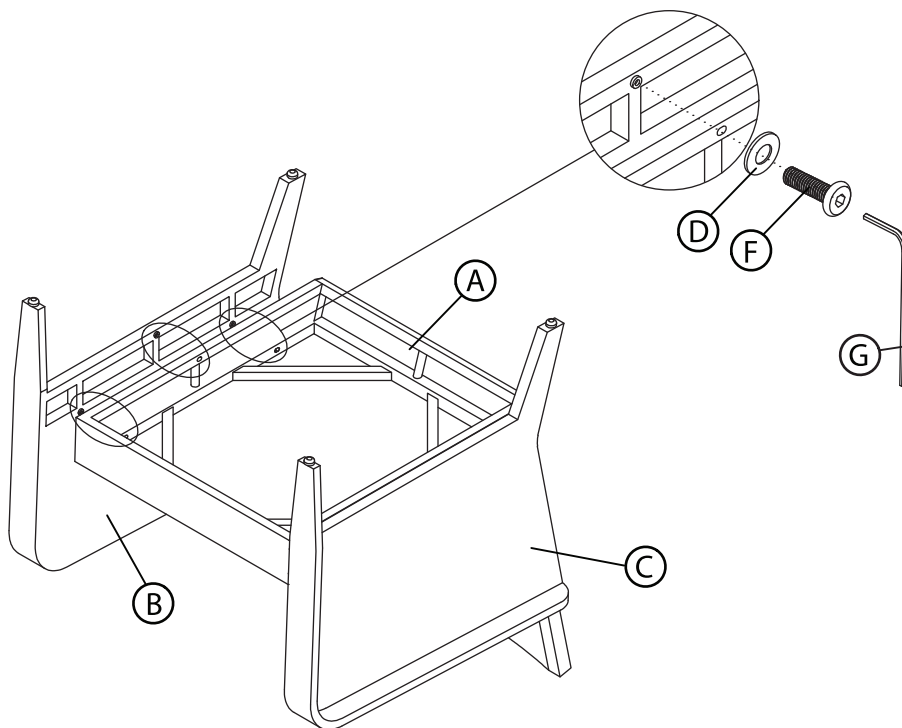
PARTS LIST



NO	PICTURE	PART DESCRIPTION	QTY.
A		Seat frame	1
B		Left side	1
C		Right side	1
D		Washer (12 x 6.2 x 1)	8
E		Bolt (M6 X 20)	2
F		Bolt (M6 X 45)	6
G		Allen Wrench	1

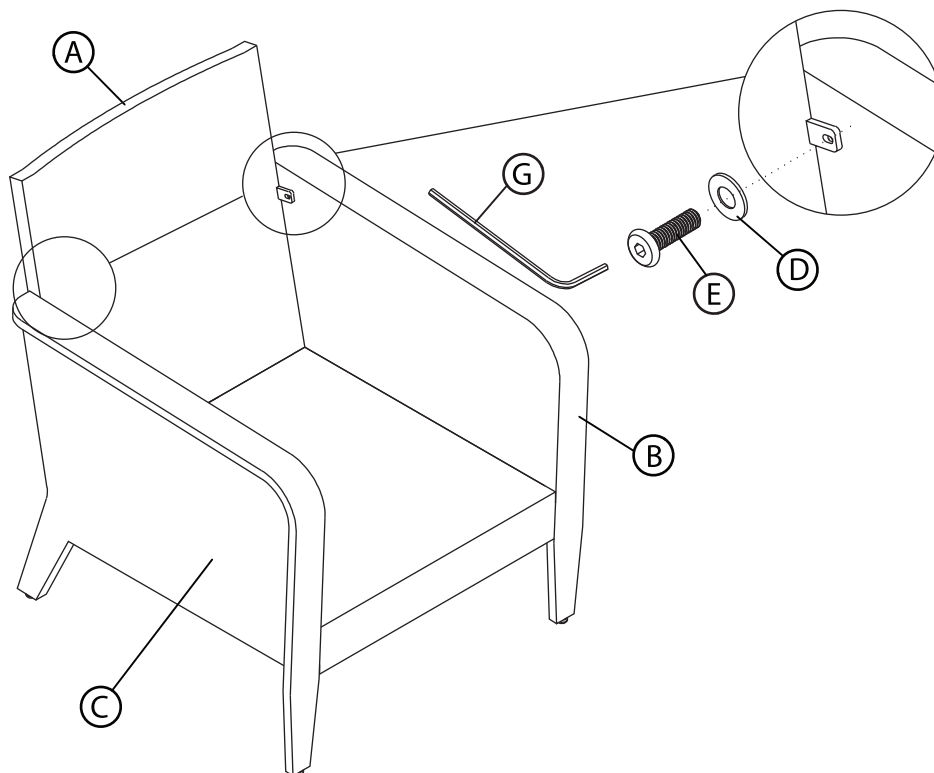
Step 1.

CONNECT SIDES TO FRAME - Using bolt (F) and washer (D), connect left side (B) and right side (C) to seat frame (A), with allen wrench (G).

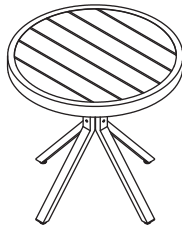


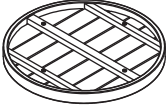
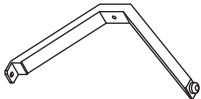


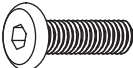


Step 2.

CONNECT SIDE TOP TO FRAME - Using bolt (E) and washer (D), connect left side (B) and right side (C) to seat frame (A), with allen wrench (G).



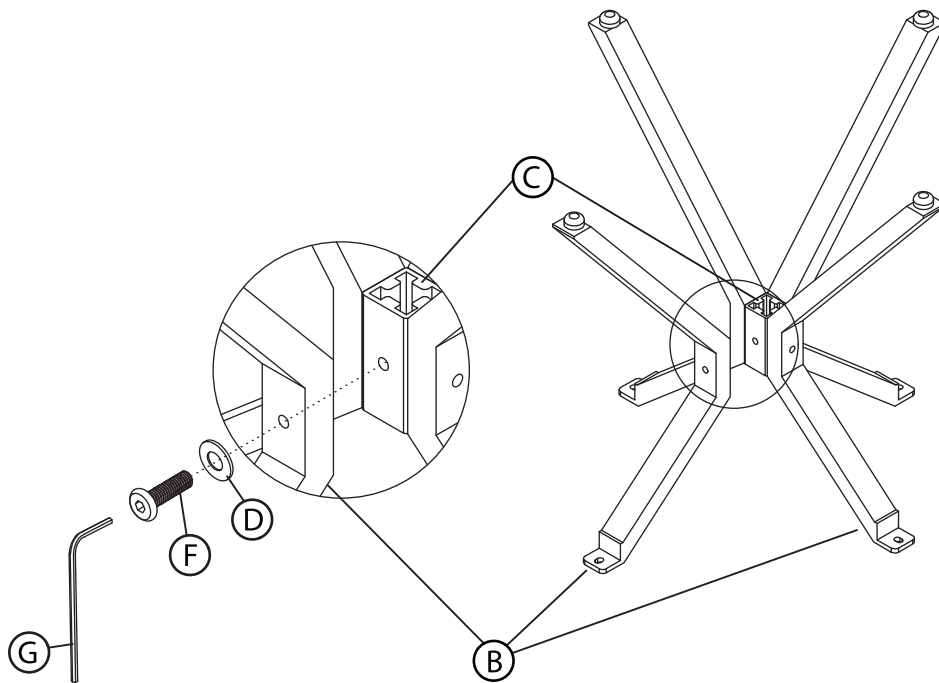
PARTS LIST



NO	PICTURE	PART DESCRIPTION	QTY.
A		Table top	1
B		Table legs	4
C		Base link	1
D		Washer (12 x 6.2 x 1)	8
E		Bolt (M6 X 20)	4
F		Bolt (M6 X 35)	4
G		Allen wrench	1

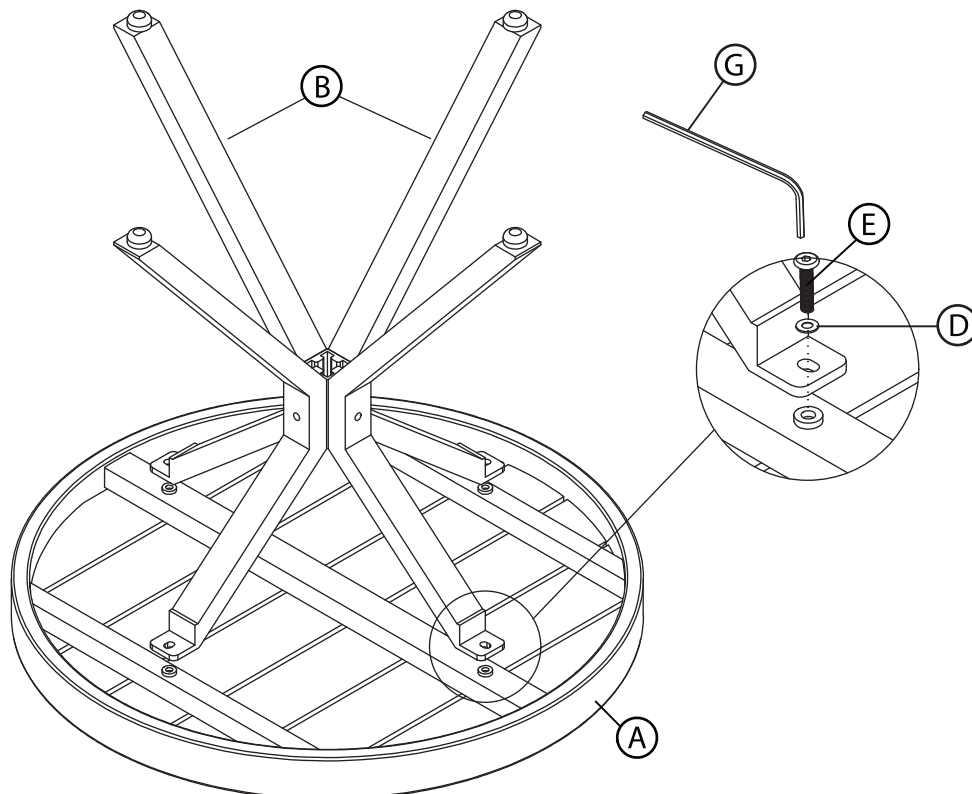
Step 1.

CONNECT LEGS TO BASE LINK- Using bolt (F) and washer (D), connect legs (B) to base link (C), with allen wrench G.



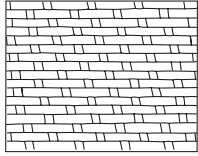
Step 2.

CONNECT BOTTOM PIECE TO TABLE TOP - Using bolt (E) and washer (D), connect the legs (B) to table top (A), with allen wrench G.



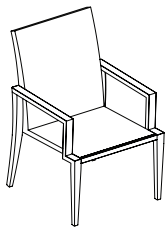
Use and Care Manual

General Maintenance Tips



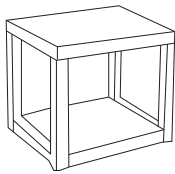
Wicker

Simply washing your wicker with a mild detergent and protecting it as much as possible by covering and or storing it when not in use for long periods of time is sufficient.



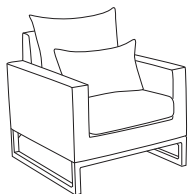
Aluminum Frames

RST Brands furniture incorporates aluminum powder coated frames that are designed to require minimum maintenance. Avoid letting too much dirt build up by cleaning with mild soap and water. Never leave furniture standing in water



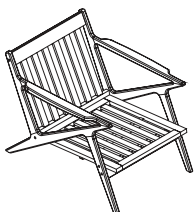
Tabletops

Spills should be wiped up quickly to avoid any staining on the surface. Regular cleaning with mild soap and water with a sponge or soft scrub brush is all that is required. Storing or covering your natural stone top when not in use for extended periods of time is recommended



Fabrics and Upholstery

RST Brands uses high-quality poly fabrics designed to protect and last for several years of use and wear. Care for your upholstery by rinsing with water often and investing in furniture covers for colder months. To clean, wipe off spills with cloth and water

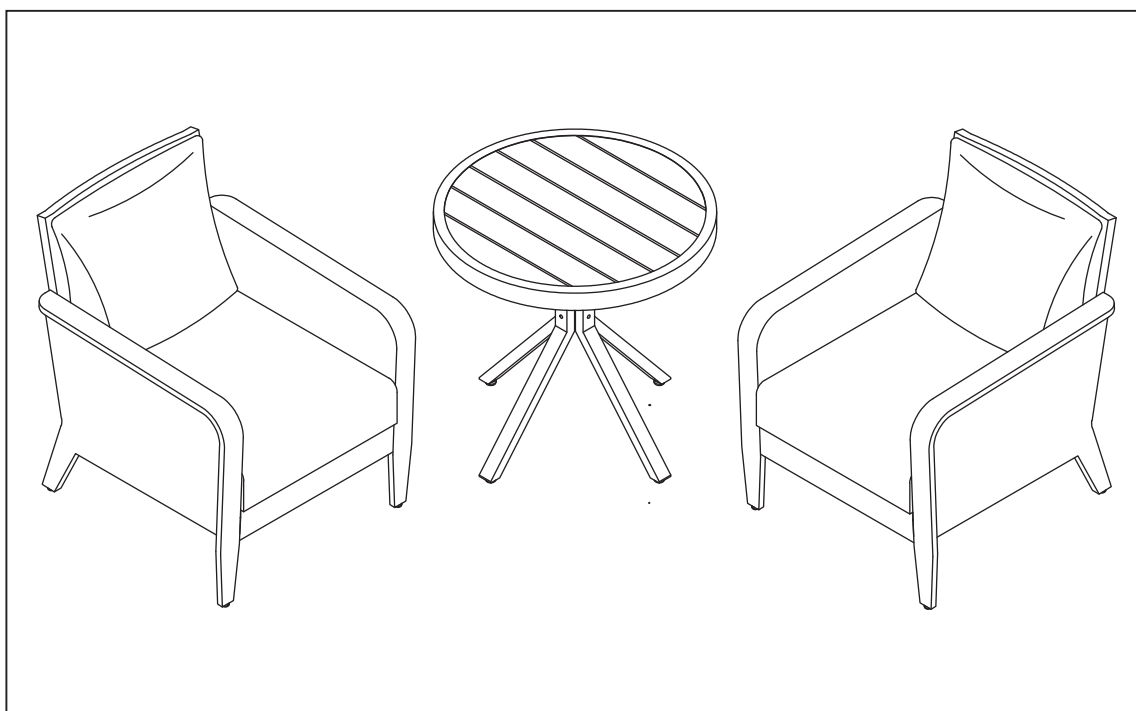


Wood Frames

Make sure all surfaces are protected from heat and liquids; wipe up spills immediately and do not place furniture next to heat sources such as radiators or fires. After assembly, wipe clean and use timber furniture oil to seal and protect from the elements. Additional oiling is required to maintain wood luster, do not use spray polishes that may contain silicones that can spoil surfaces. Check and tighten bolts and screws regularly.

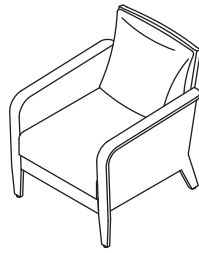
2 sillones

squinera



INSTRUCCIONES DE ENSAMBLAJE

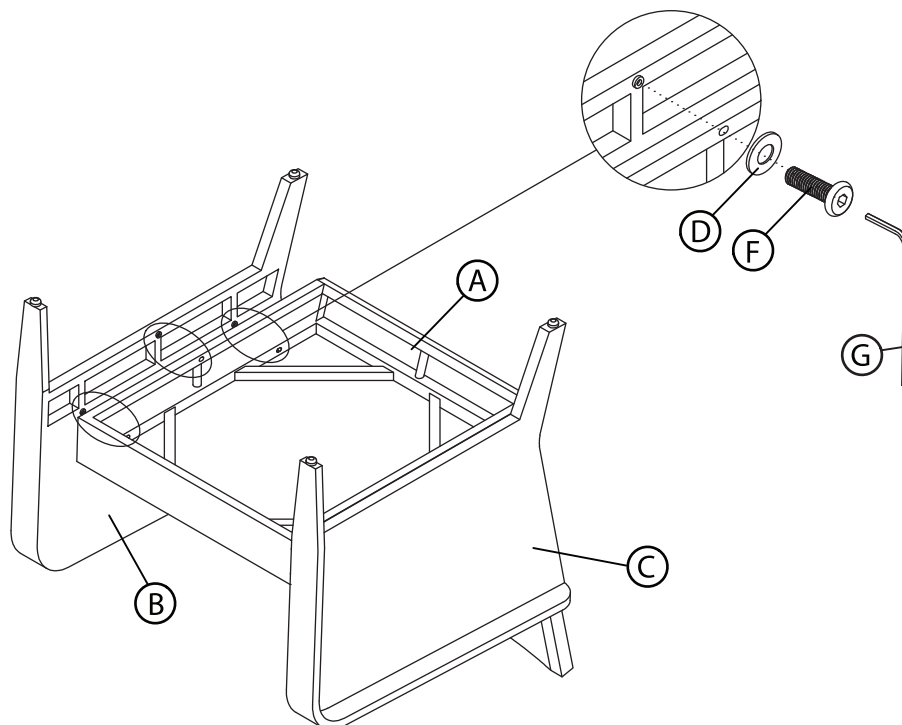
LISTA DE PARTES



NO	IMAGEN	DESCRIPCIÓN DE LA PARTE	CANT.
A		Marco del asiento	1
B		Lado izquierdo	1
C		Lado derecho	1
D		Arandela (12 x 6.2 x 1)	8
E		Perno (M6 X 20)	2
F		Perno (M6 X 45)	6
G		Llave Allen	1

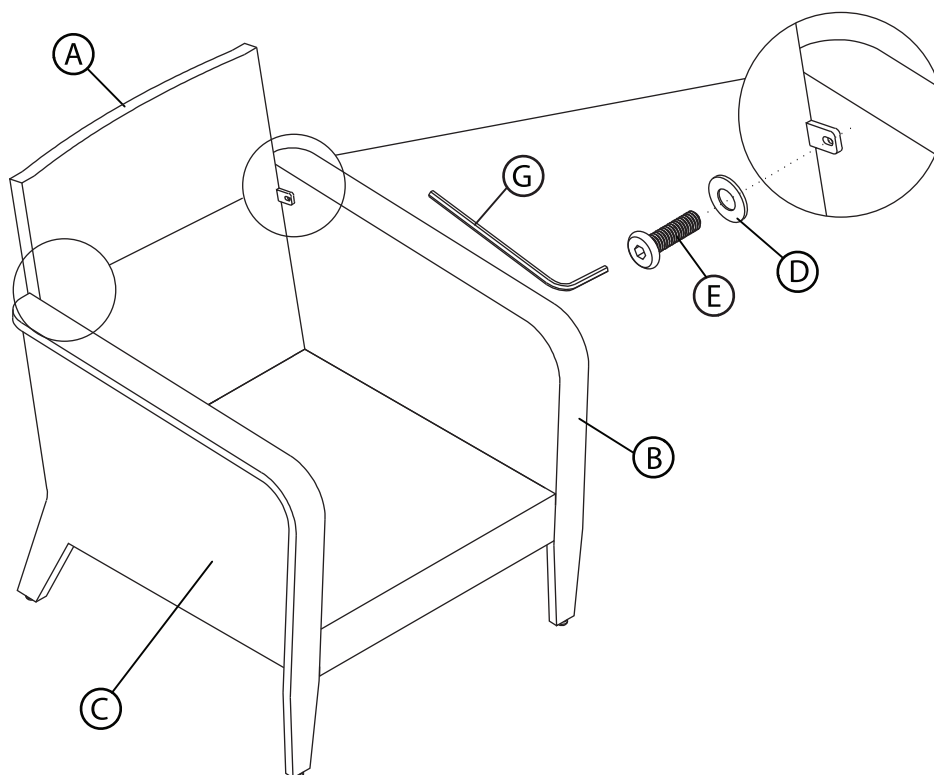
Paso 1.

CONECTE LOS LADOS AL MARCO: conecte el lado izquierdo (B) y el lado derecho (C) al marco del asiento (A), utilizando el perno (F), la arandela (D) y la llave Allen (G).

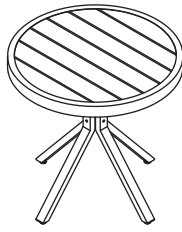


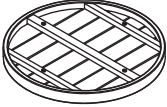
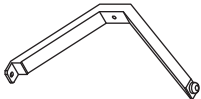
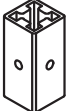

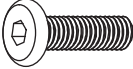


Paso 2.

CONECTE LA PARTE SUPERIOR LATERAL AL MARCO: conecte el lado izquierdo (B) y el lado derecho (C) al marco del asiento (A), utilizando el perno (E), la arandela (D) y la llave Allen (G).



LISTA DE PARTES



NO	IMAGEN	DESCRIPCIÓN DE LA PARTE	CANT.
A		Superficie de la mesa	1
B		Patas de la mesa	4
C		Base link	1
D		Washer (12 x 6.2 x 1)	8
E		Bolt (M6 X 20)	4
F		Bolt (M6 X 35)	4
G		Allen wrench	1