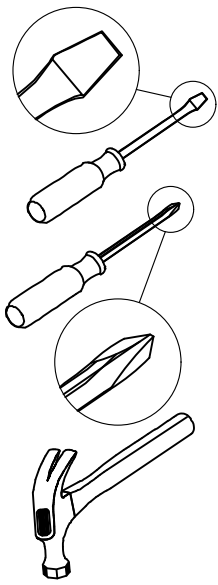


As this item contains many parts, please read the installation instruction carefully before installation . Please use tools properly and carefully.

Before You Start

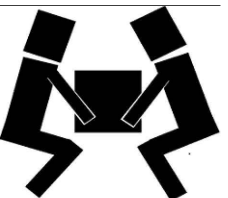
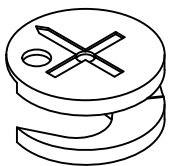
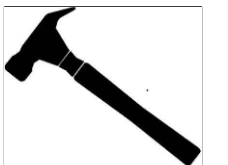
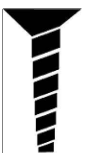
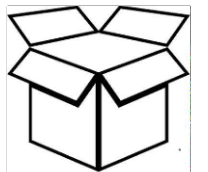


- ✓ Read through each step carefully and follow the proper order
- ✓ Separate and count all your parts and hardware
- ✓ Give yourself enough room for the assembly process
- ✓ Have the following tools: Flat Head Screwdriver, #2 Phillips Head Screwdriver and Hammer
- ✓ Caution: If using a power drill or power screwdriver for screwing, please be aware of to slow down and stop when screw is tight. Failure to do so may result in stripping the screw. (Assembly speed can be increased by using electric screwdriver)

Helpful Hints

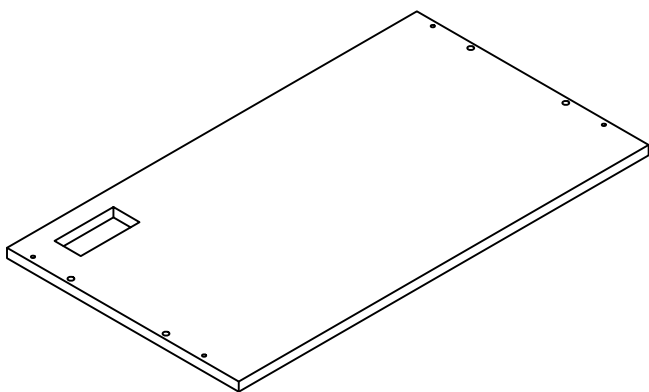
PEOPLE NEEDED FOR ASSEMBLY: 1-2

- Open your item in the area you plan to keep it to avoid excessive heavy lifting.
- Identify, sort and count the parts before attempting assembly.
- Compression dowels are lightly tapped in with a hammer.
- Slides are labeled with an **R** (right) and **L** (left) for proper placement.
- Make sure to always face the point on the top of the Cam Lock towards the outer edge.
- If there is a back panel in the package, please install it to make sure your unit is complete and sturdy.
- Please fix all the screws provided for the back panel which can enhance product stability. If it is difficult to fix it when tightening, it can be fixed with the help of a hammer and then tightened.
- Do NOT use harsh chemicals or abrasive cleaners on this item.
- Never push, pull, or drag your furniture.

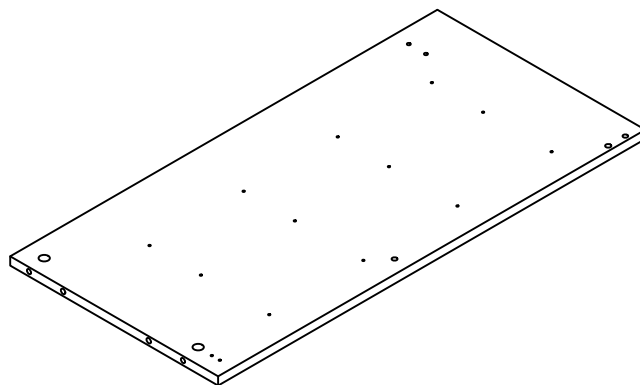


Board Identification

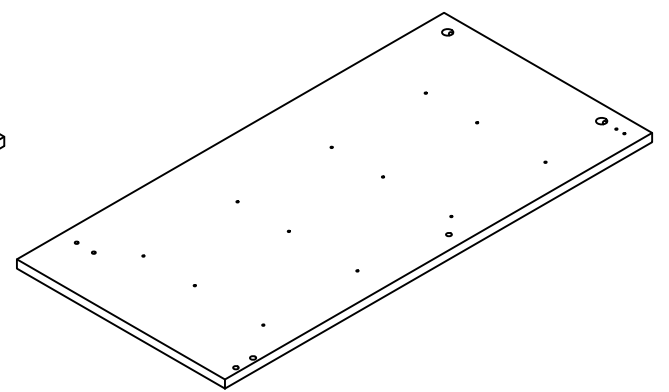
Not actual size



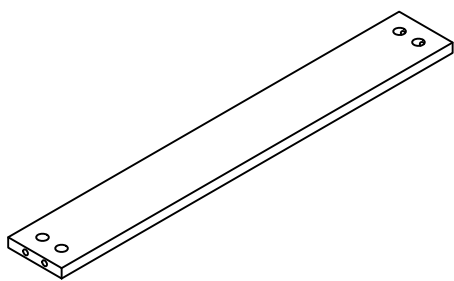
①
TOP
Qty:1



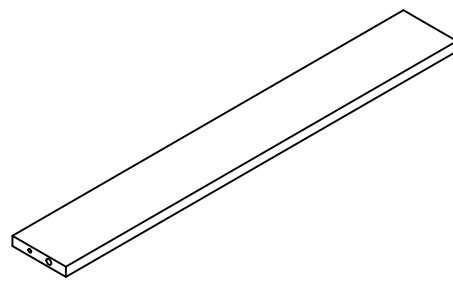
②
LEFT SIDE PANEL
Qty:1



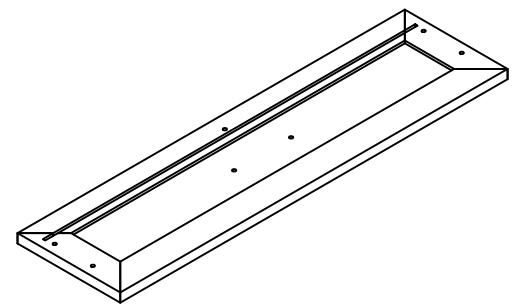
③
RIGHT SIDE PANEL
Qty:1



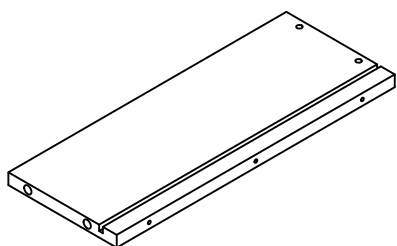
④
REAR PANEL
Qty:1



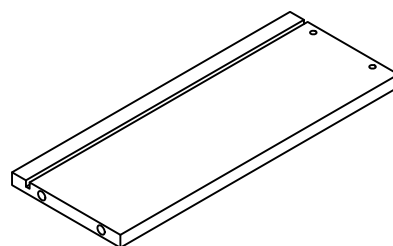
⑤
FRONT RAIL
Qty:1



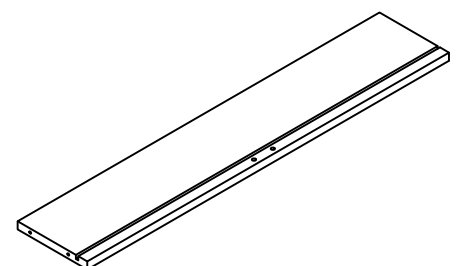
⑥
DRAWER FRONT
Qty:4



⑦
DRAWER LEFT SIDE
Qty:4



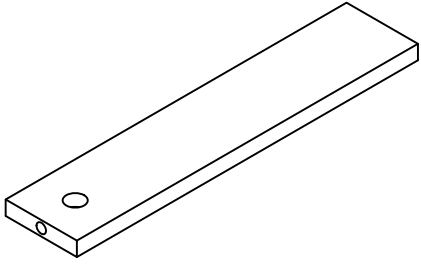
⑧
DRAWER RIGHT SIDE
Qty:4



⑨
DRAWER BACK
Qty:4

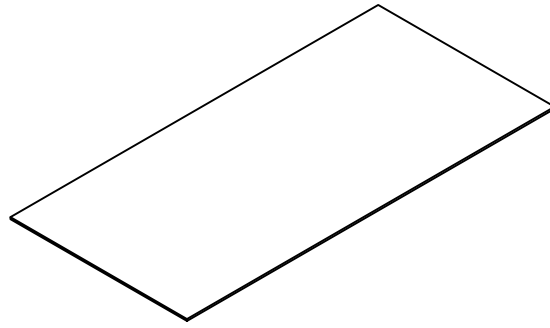
Board Identification

Not actual size



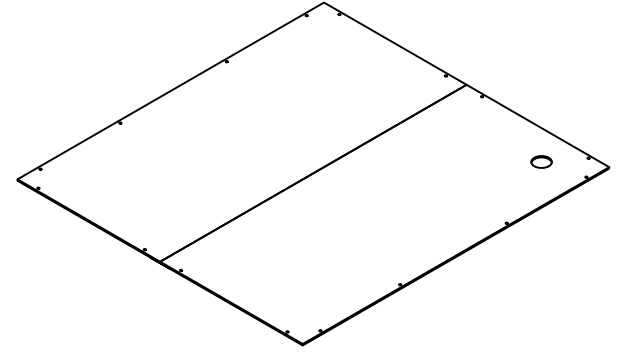
⑩

DRAWER SUPPORT RAIL
Qty:4



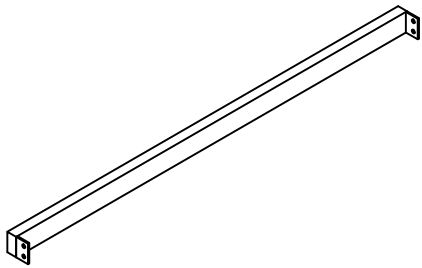
⑪

DRAWER BOTTOM
Qty:4



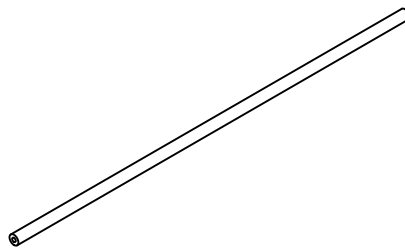
⑫

BACK PANEL
Qty:1



⑬

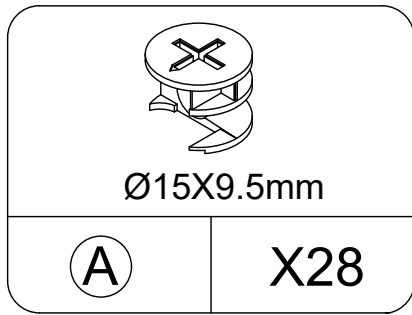
SQUARE TUBE
Qty:1



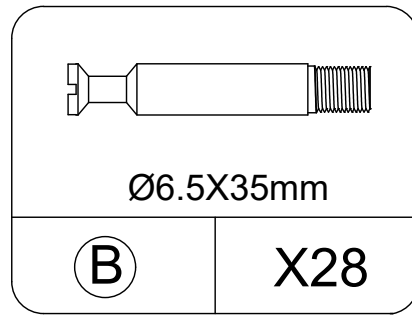
⑭

CIRCULAR TUBE
Qty:1

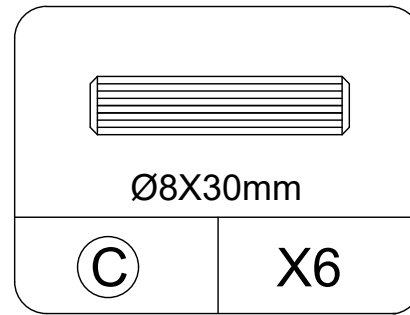
Part List



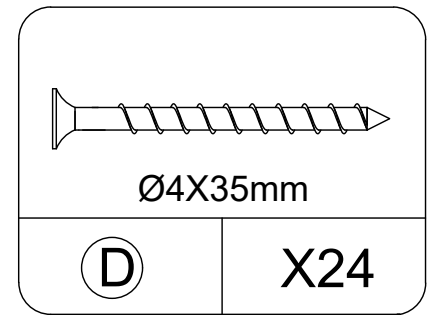
CAM LOCK
spare:2



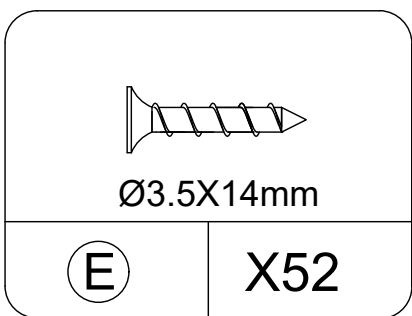
CAM BOLT
spare:2



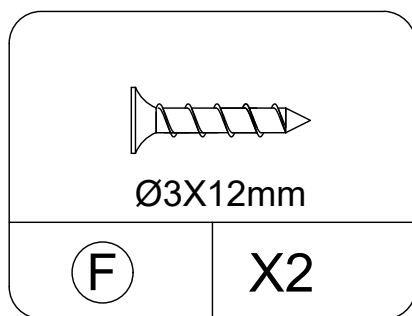
WOOD DOWEL
spare:1



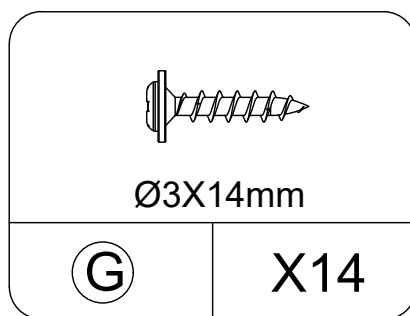
SCREW
spare:2



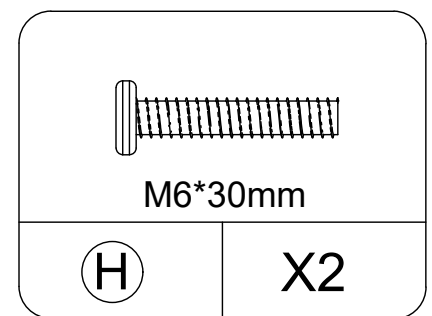
SCREW
spare:3



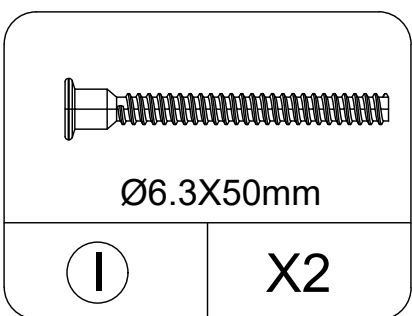
SCREW
spare:1



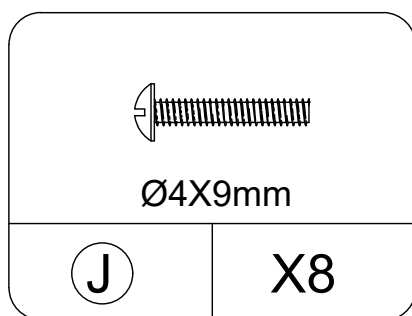
SCREW
spare:1



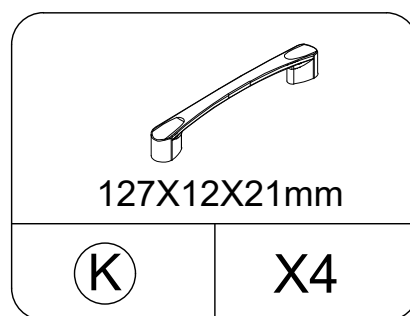
SCREW
spare:1



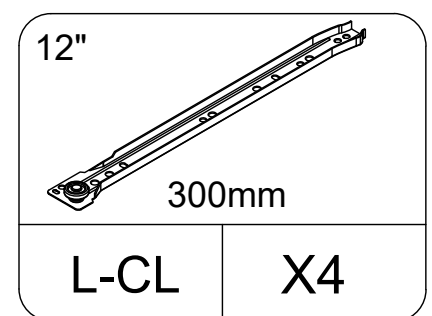
SCREW
spare:1



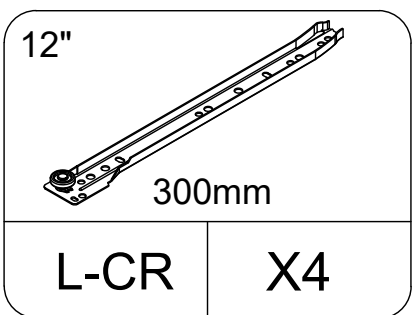
SCREW
spare:1



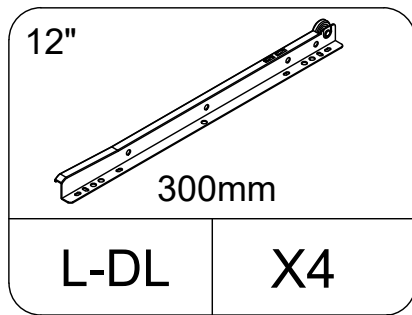
HANDLE



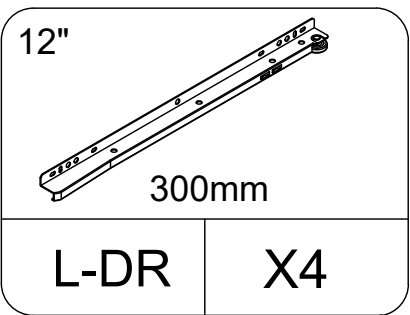
LEFT CABINET MEMBER



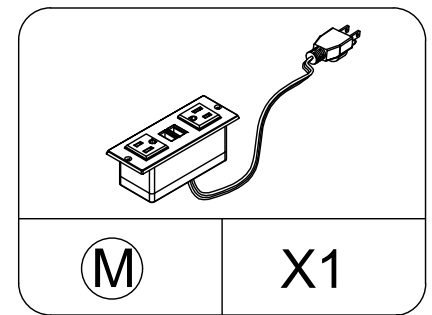
RIGHT CABINET MEMBER



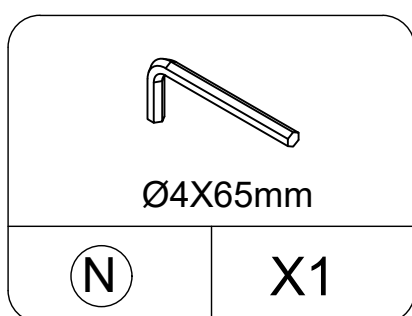
LEFT DRAWER RUNNER



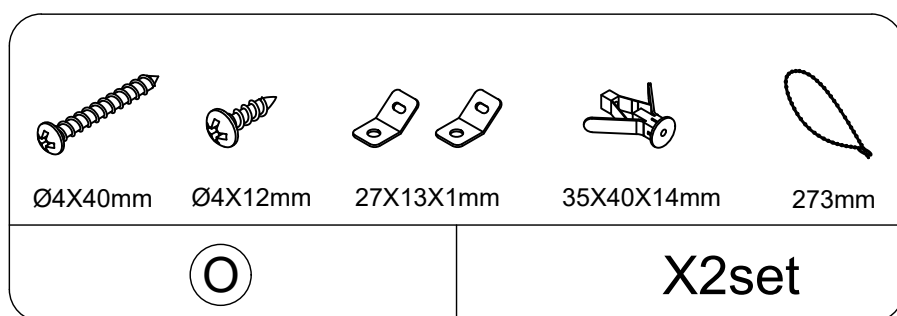
RIGHT DRAWER RUNNER



POWER STRIP



HEX KEY



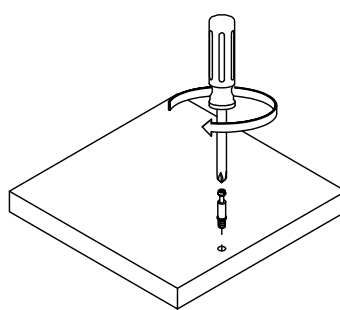
TIPPING RESTRAINT
HARDWARE KIT

Part List

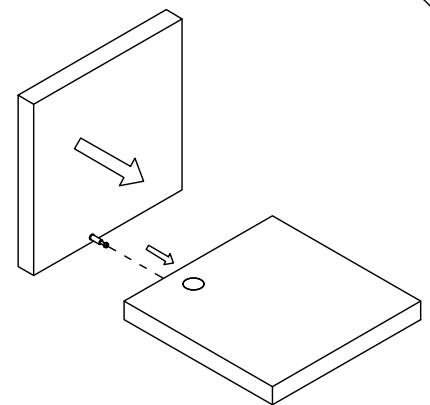
Cam Lock Fastening System

Insert the cam bolt into the hole first, then insert the cam lock and lock it.

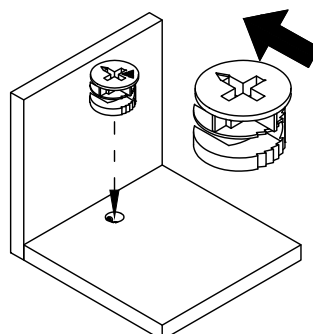
1



2

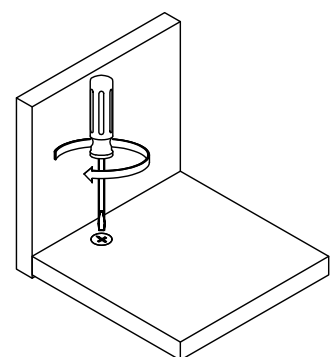


3



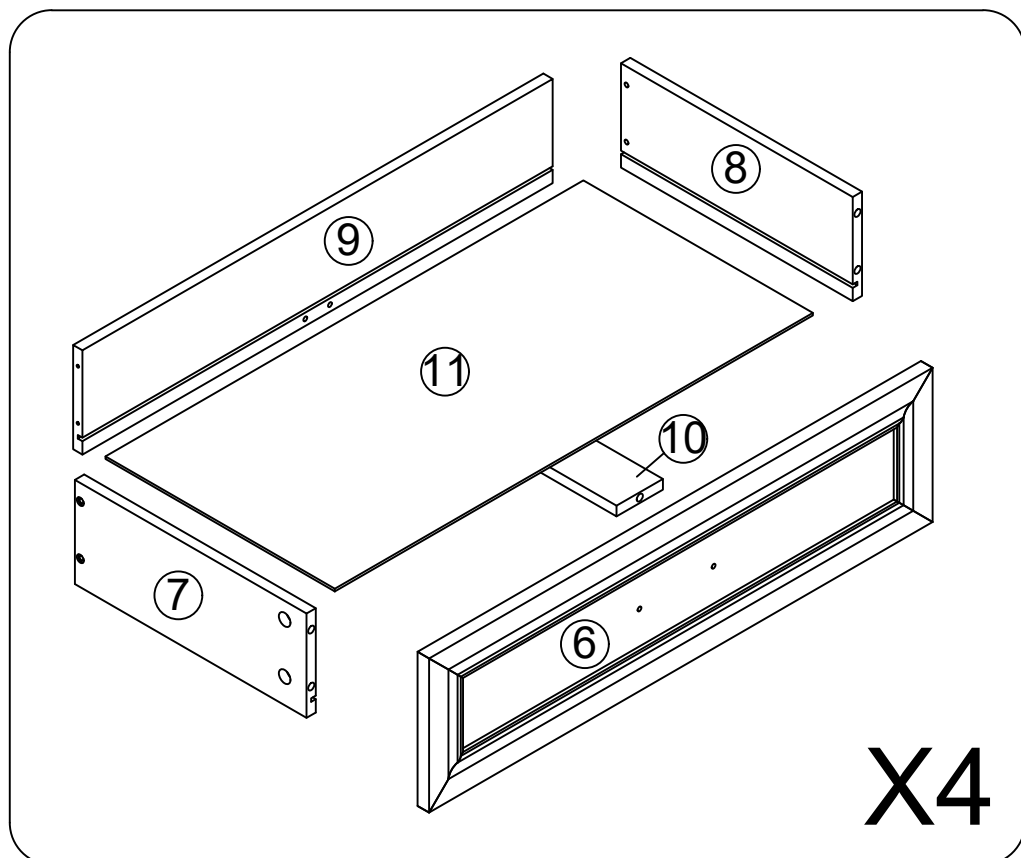
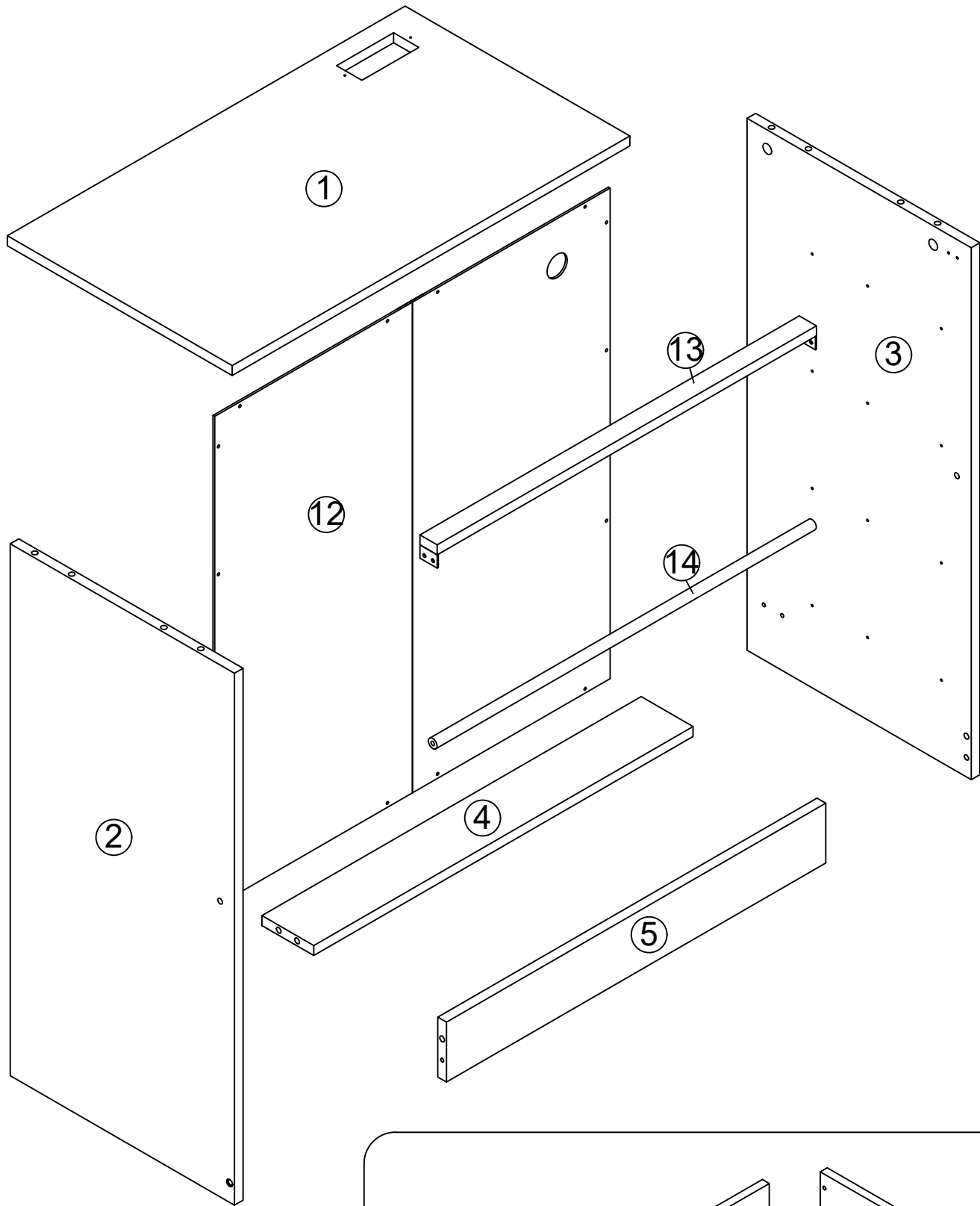
The opening must point toward the edge of the board

4

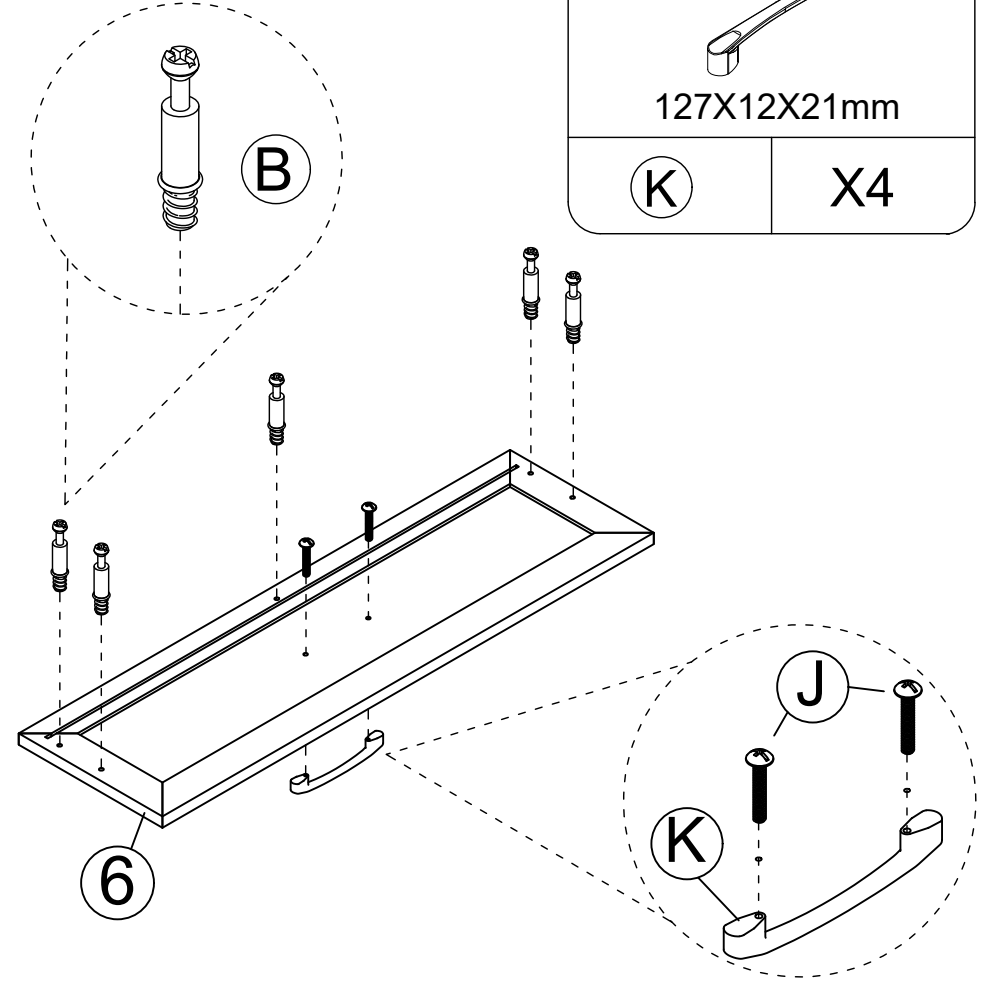
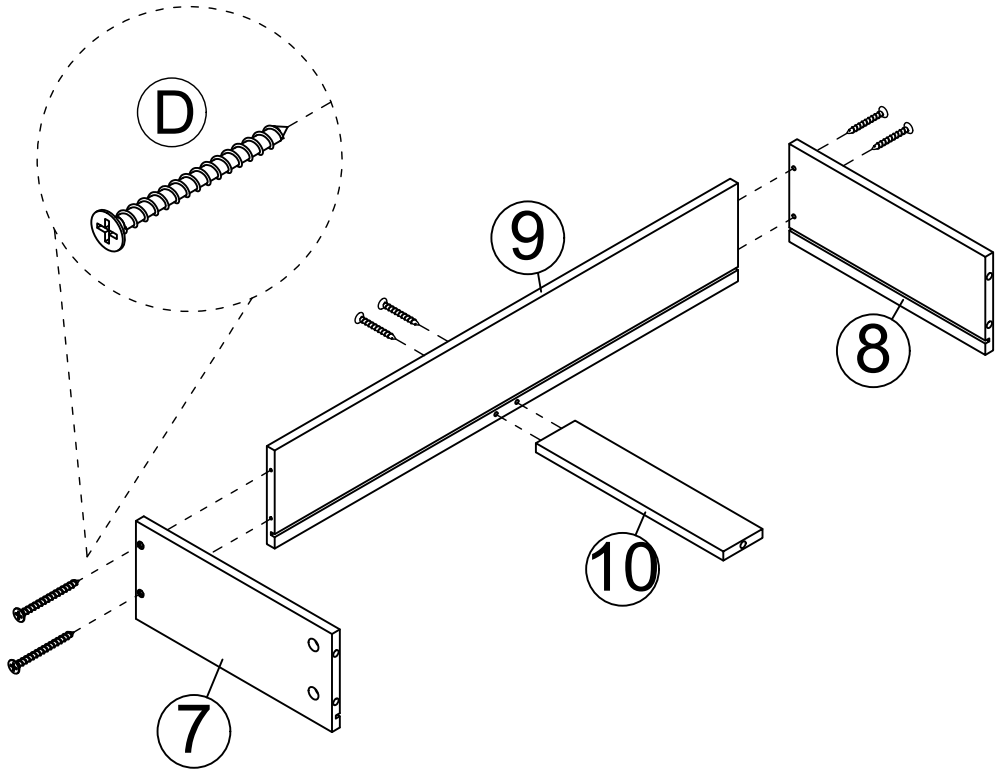
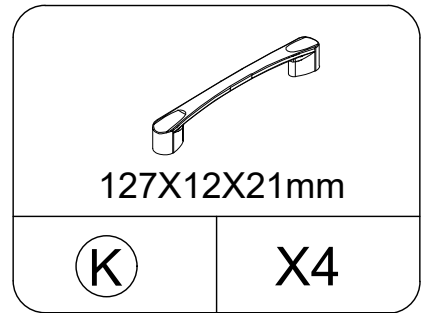
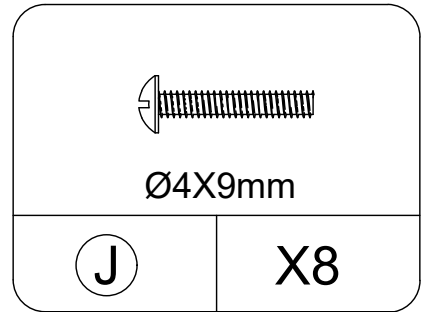
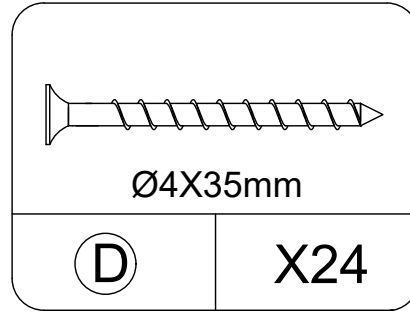
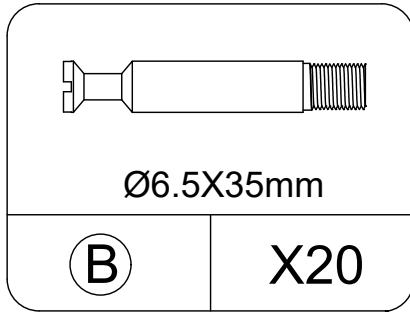
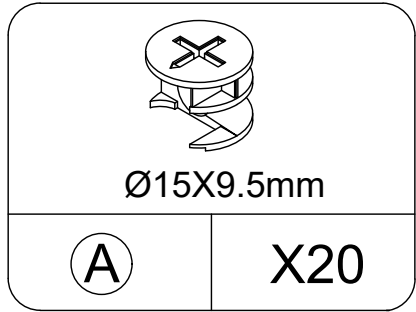
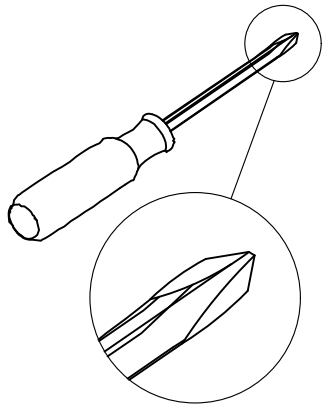


Board Identification

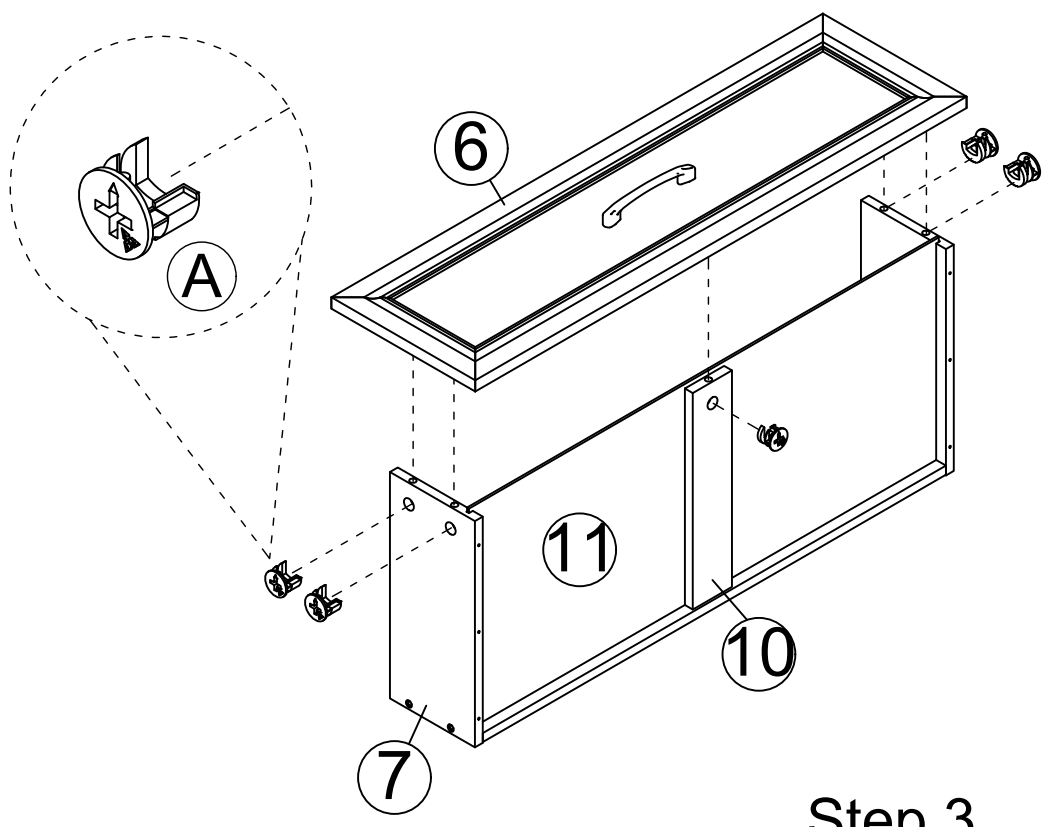
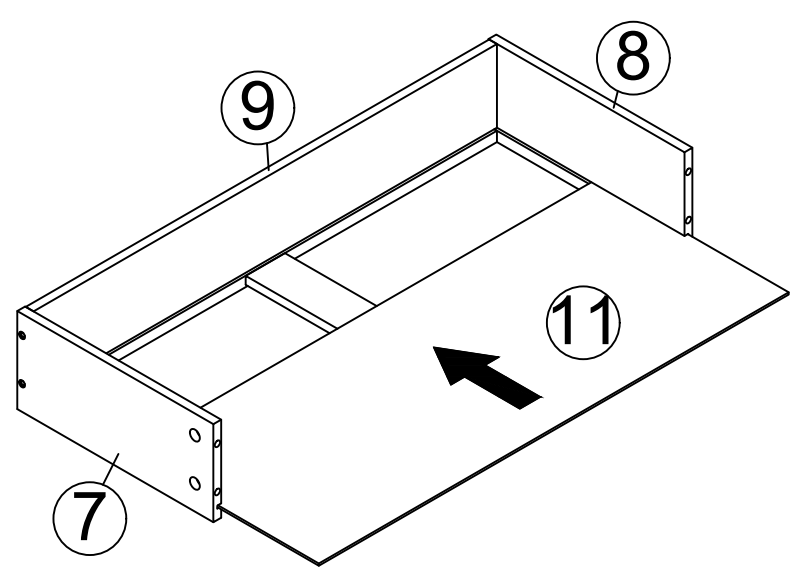
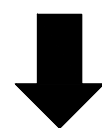
Not actual size



STEP 1

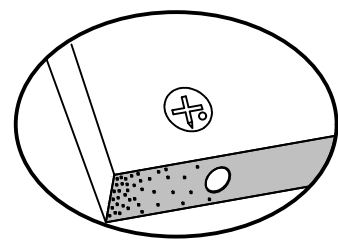
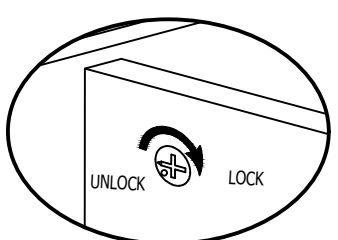
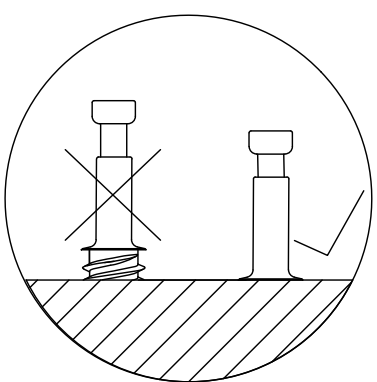


Step 1



Step 2

Step 3

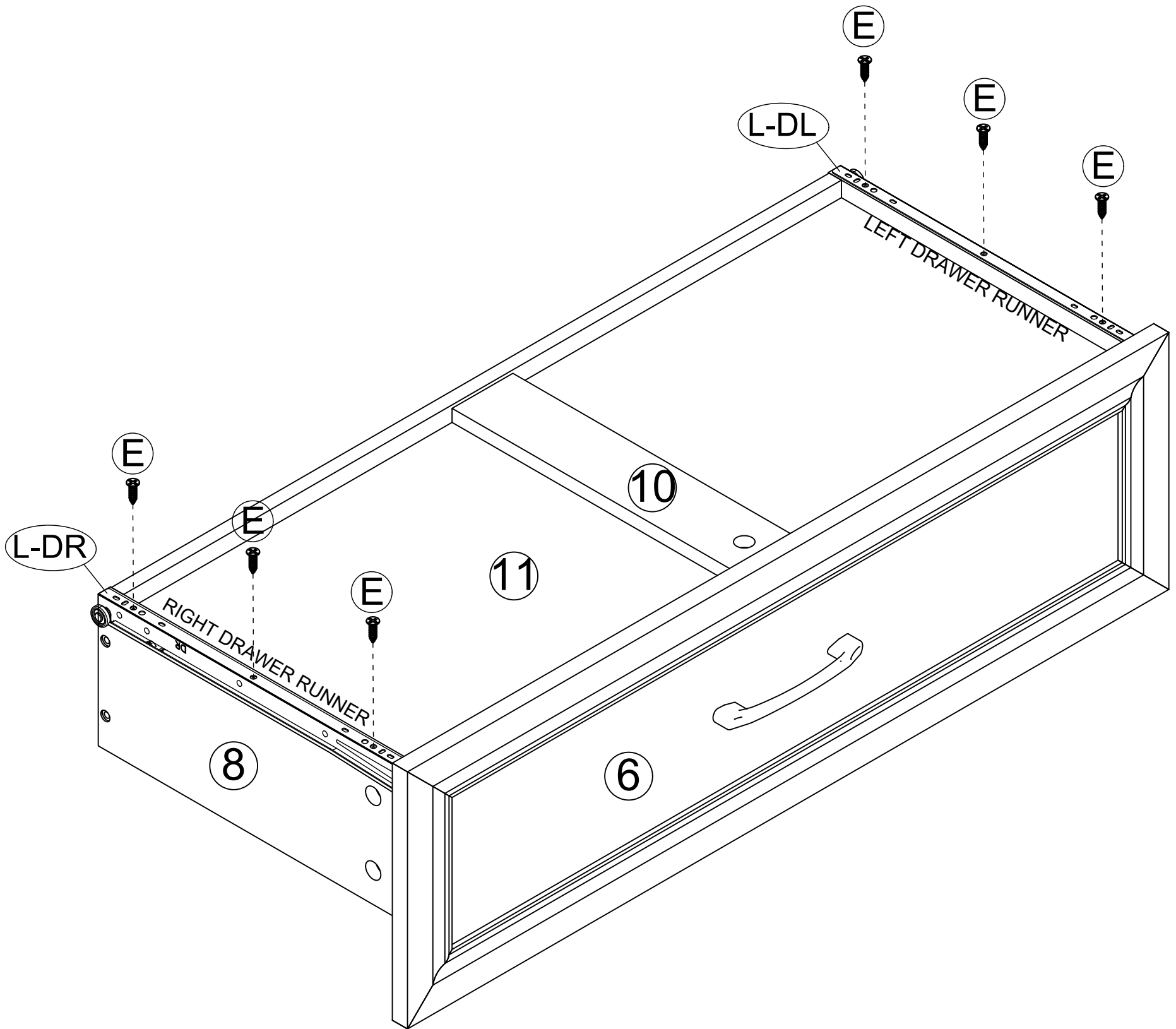
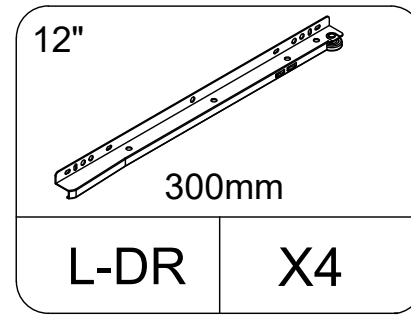
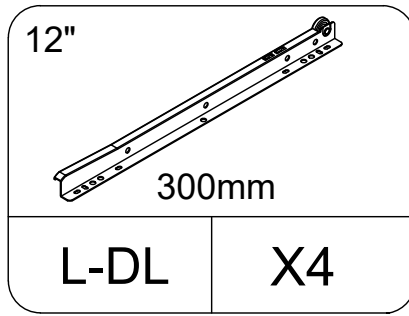
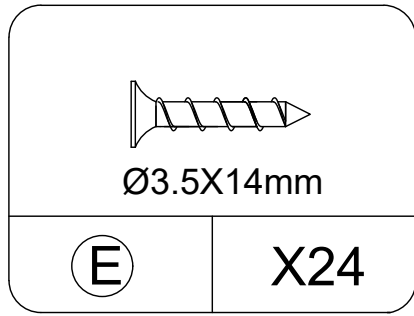
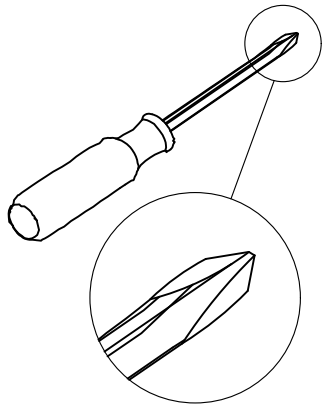


Proper orientation of CAM LOCK

Insert the cam bolt into the hole first, then insert the cam lock and lock it.

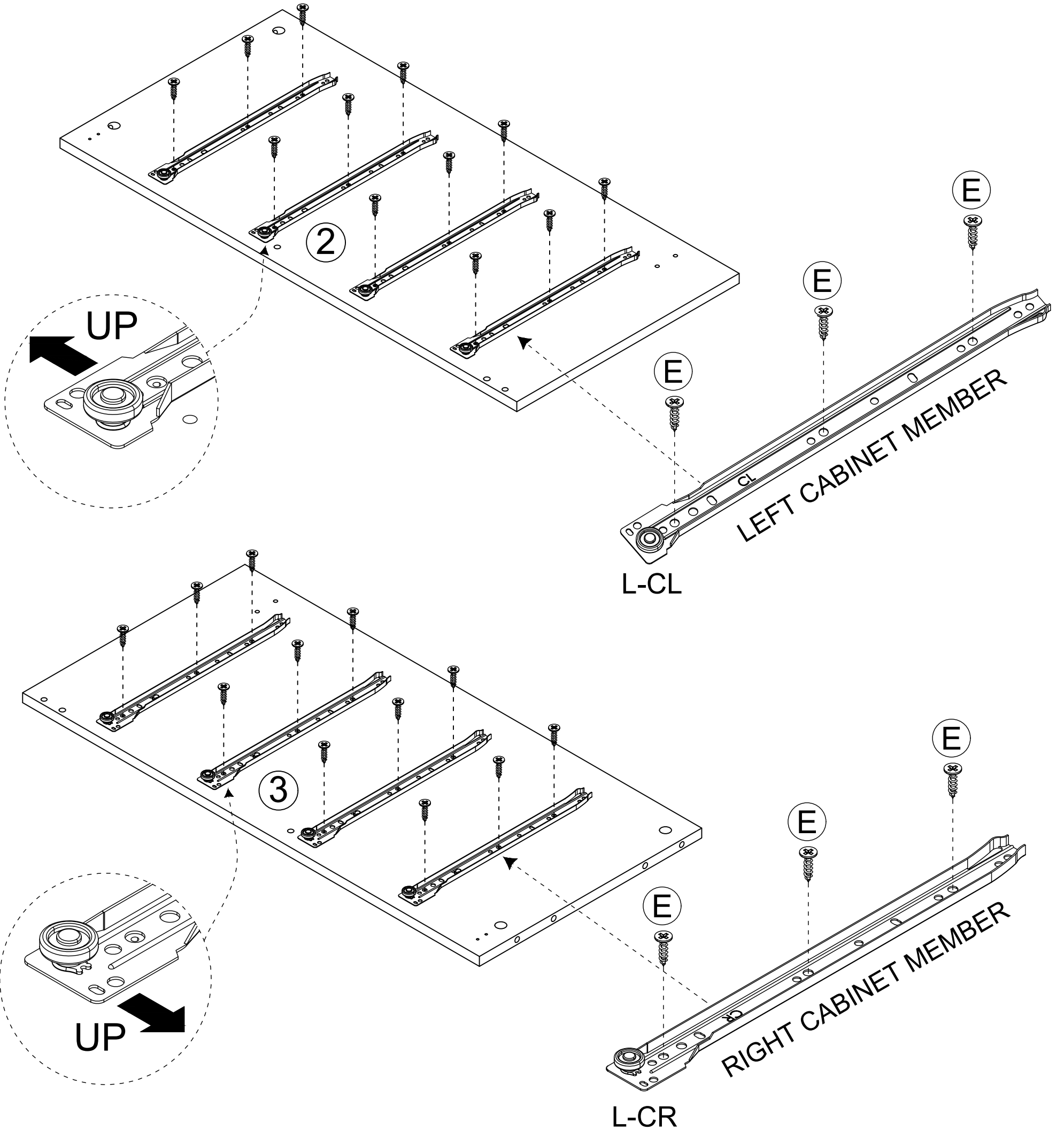
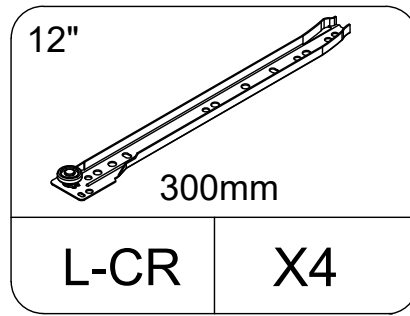
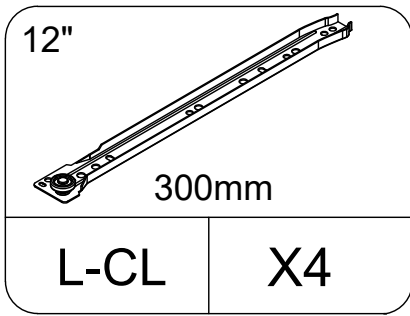
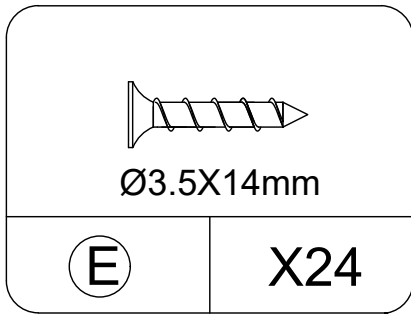
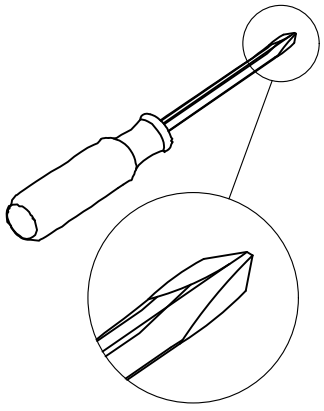
X4

STEP 2

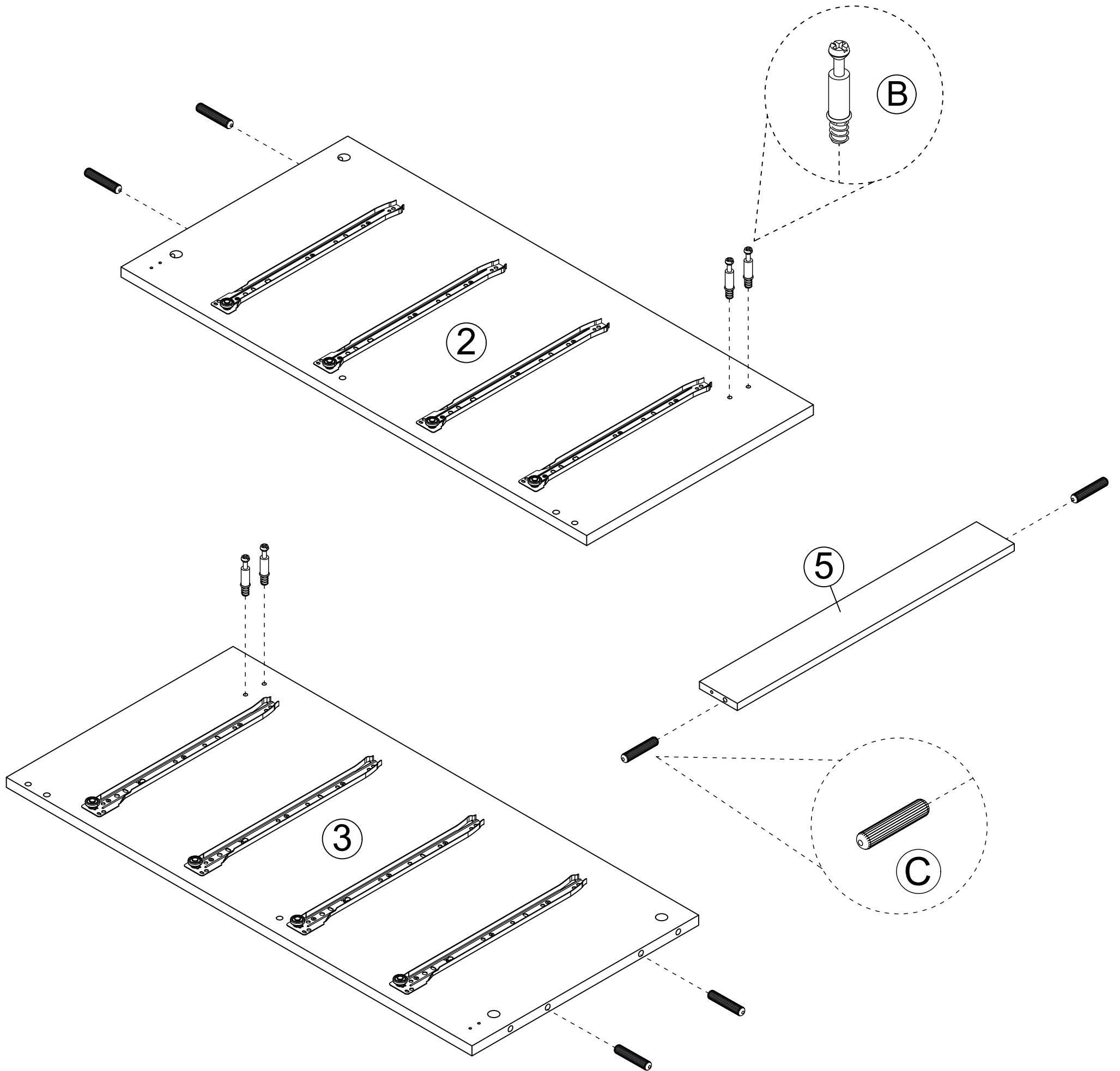
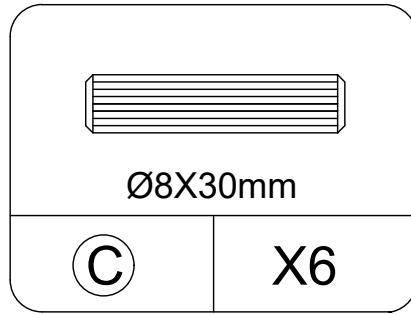
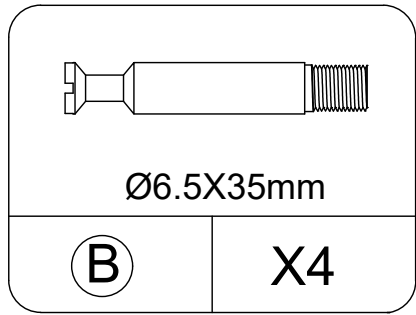
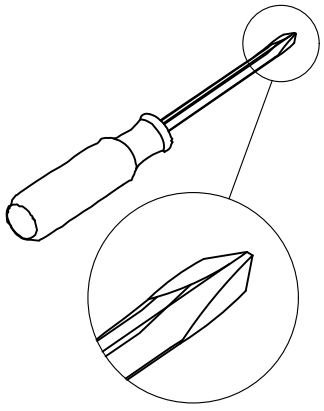


X4

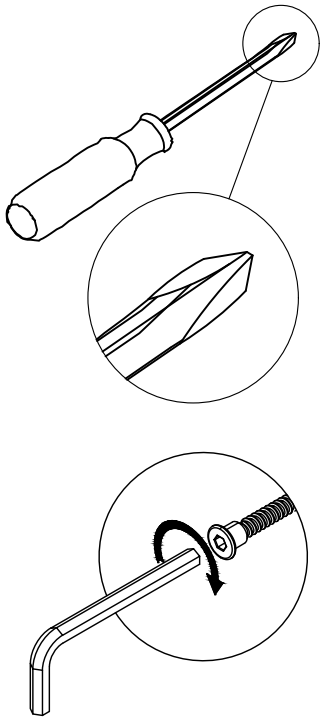
STEP 3

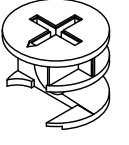


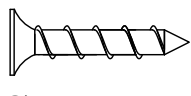
STEP 4

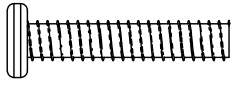


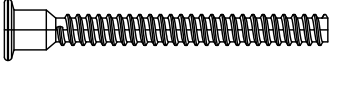
STEP 5




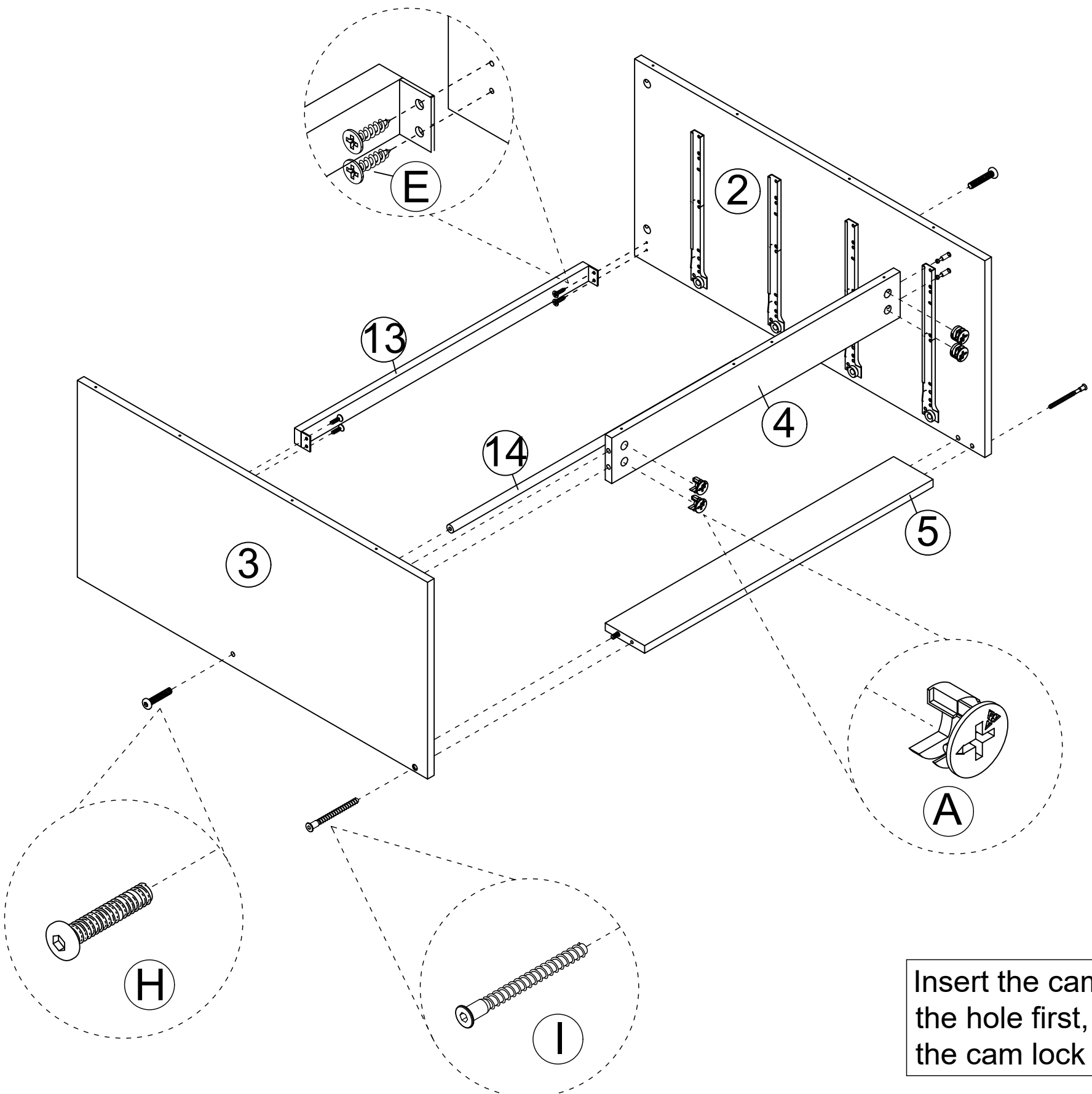
	
Ø15X9.5mm	
(A)	X4

	
Ø3.5X14mm	
(E)	X4

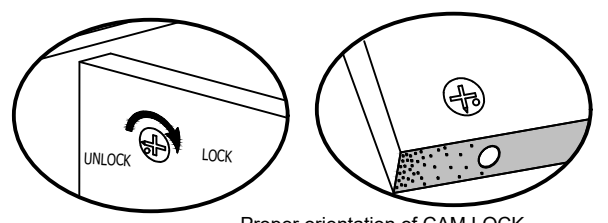
	
M6*30mm	
(H)	X2

	
Ø6.3X50mm	
(I)	X2

	
Ø4X65mm	
(N)	X1

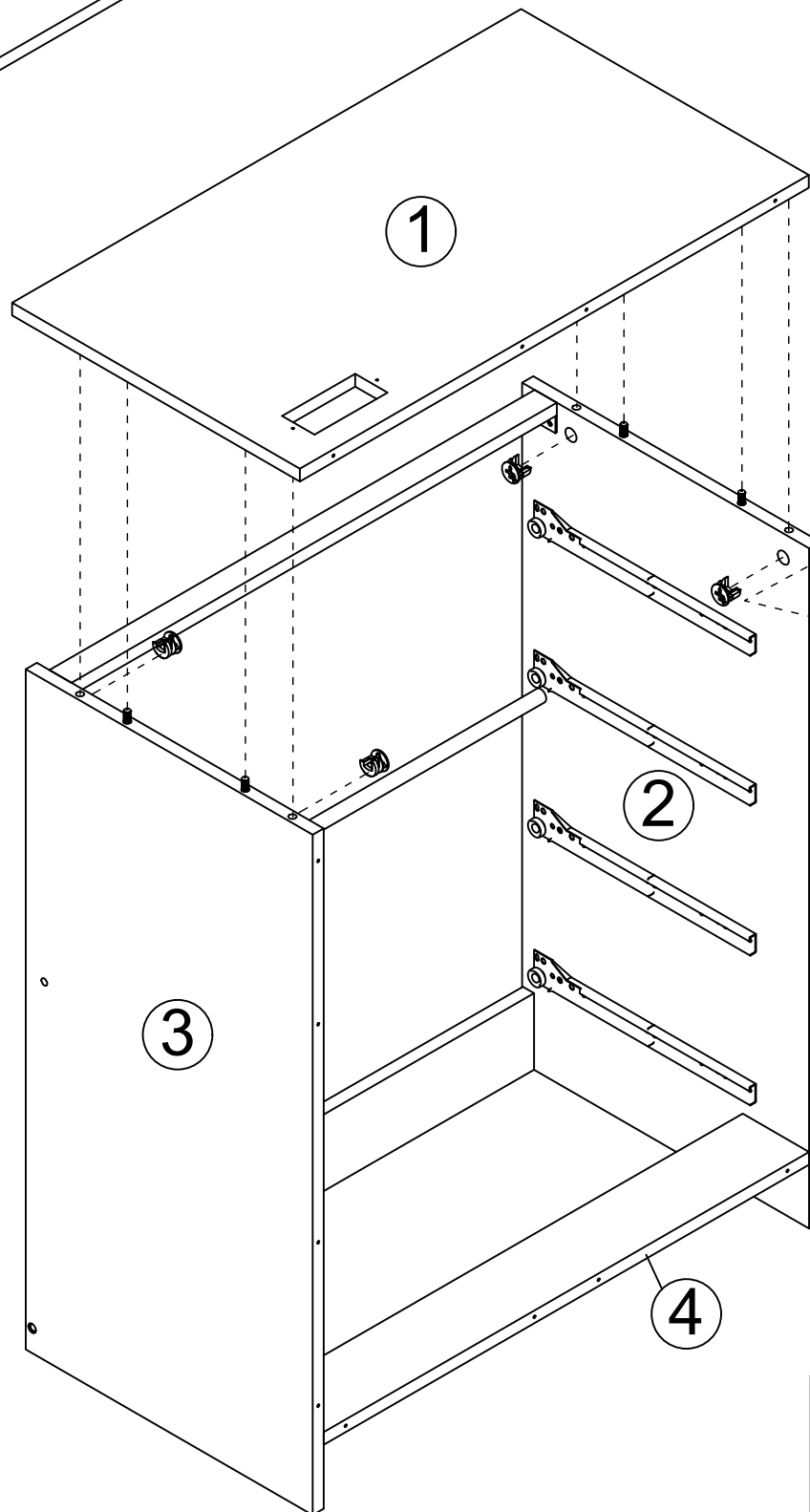
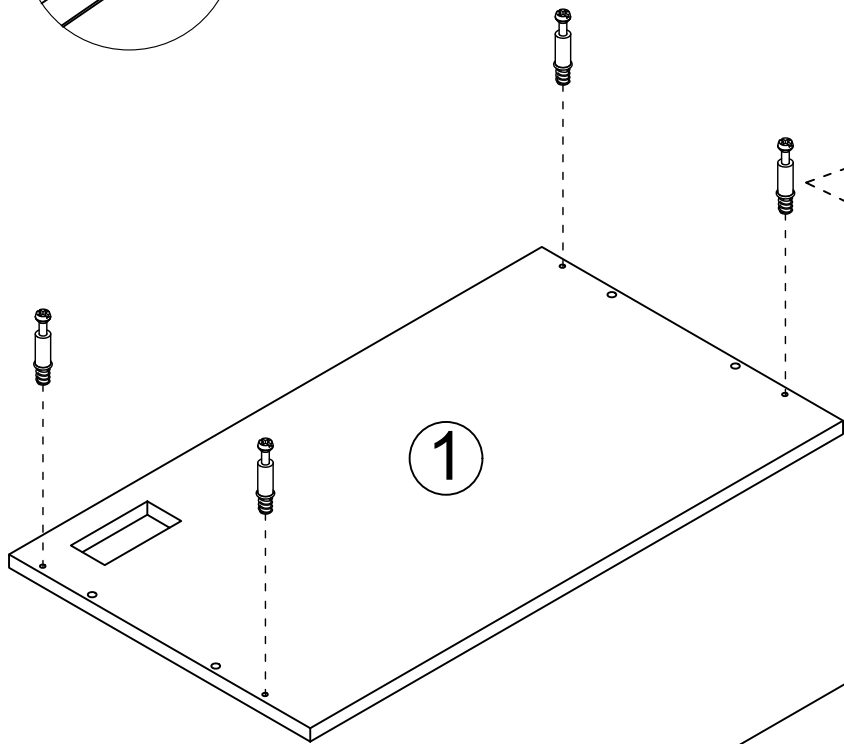
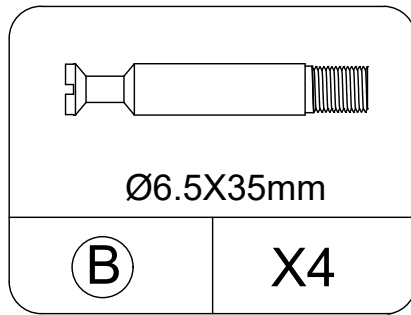
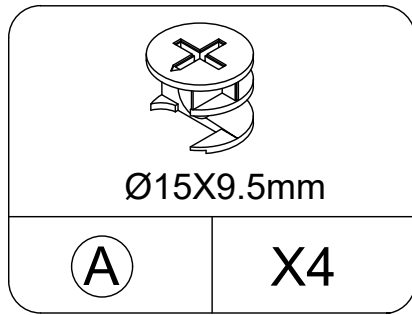
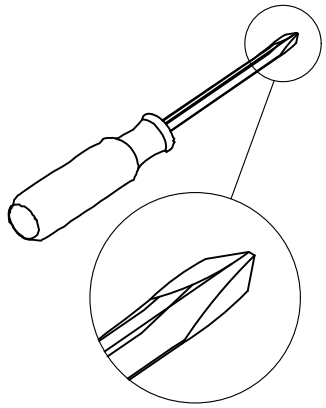


Insert the cam bolt into the hole first, then insert the cam lock and lock it.

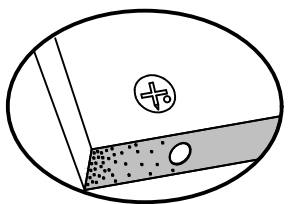
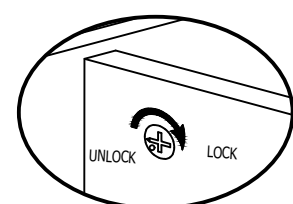
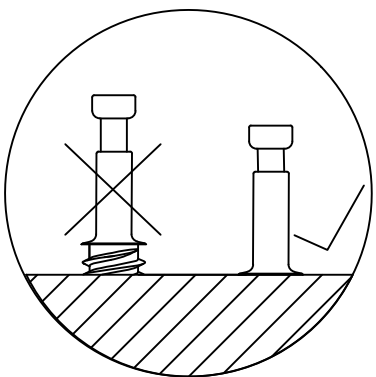


Proper orientation of CAM LOCK

STEP 6

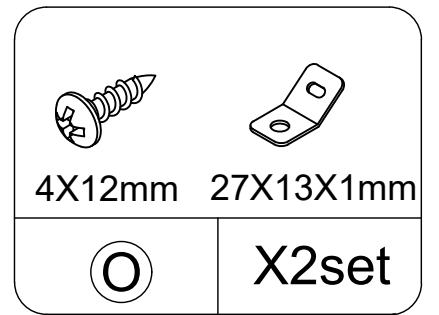
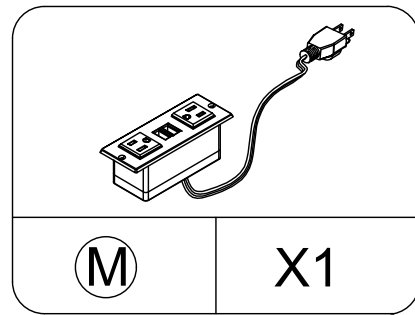
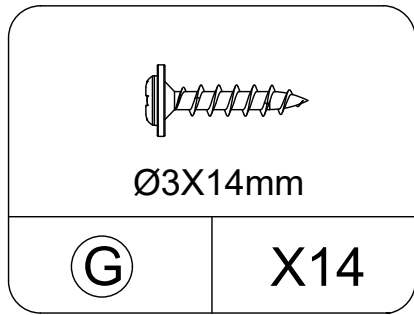
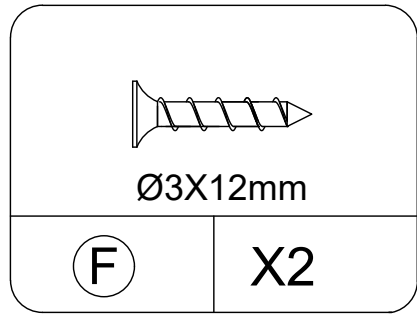
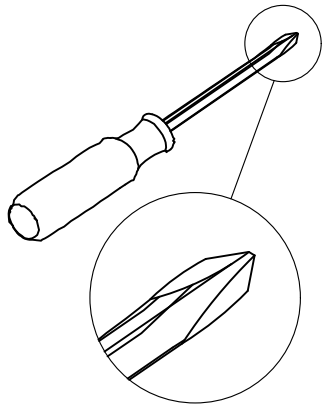


Insert the cam bolt into the hole first, then insert the cam lock and lock it.

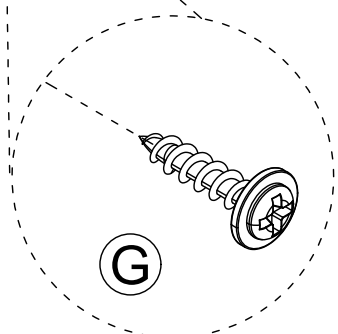
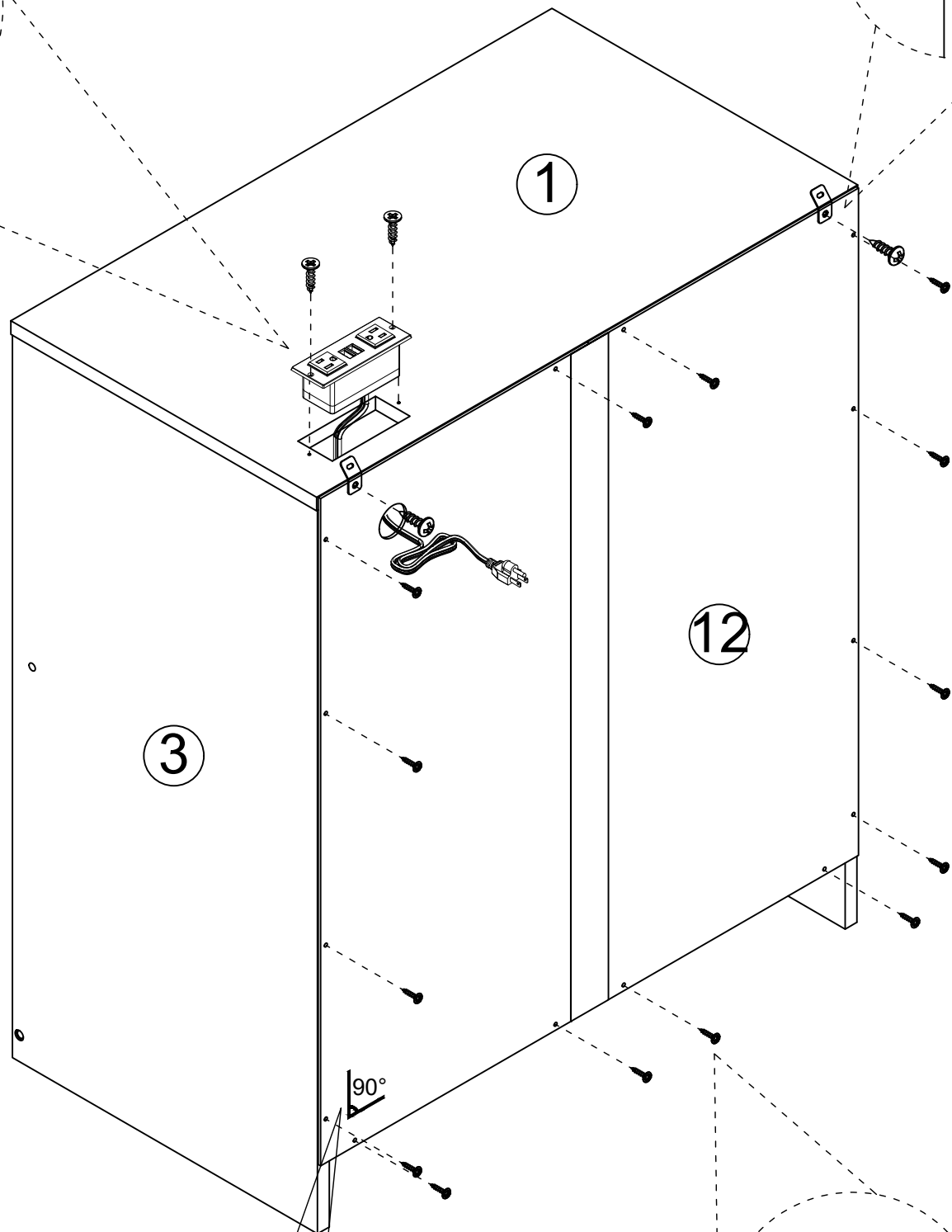
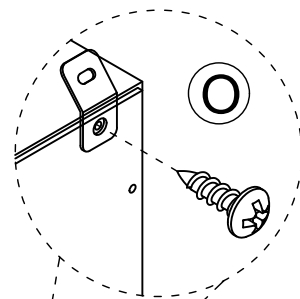
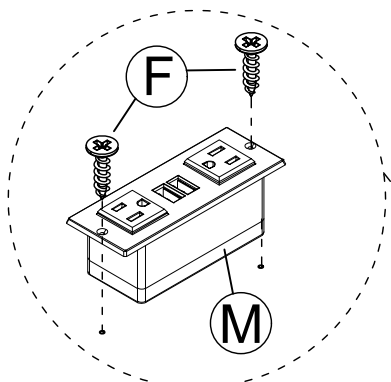


Proper orientation of CAM LOCK

STEP 7

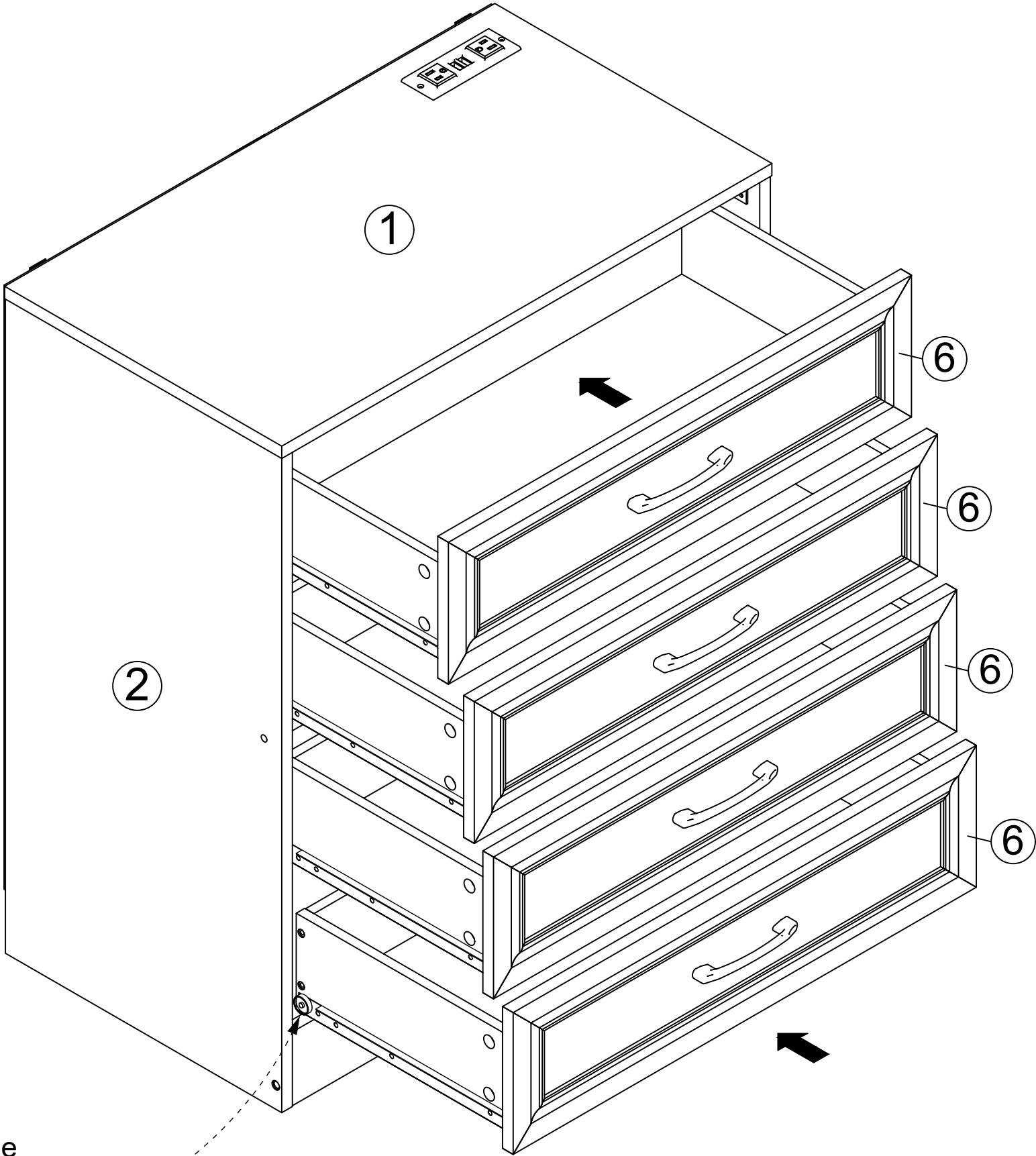


The power of using electrical appliances cannot exceed 1500W.

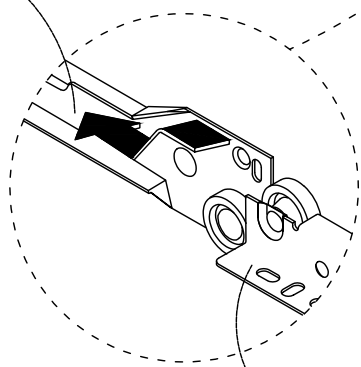


Before attaching the back panel, be sure that the unit is at 90°.

STEP 8

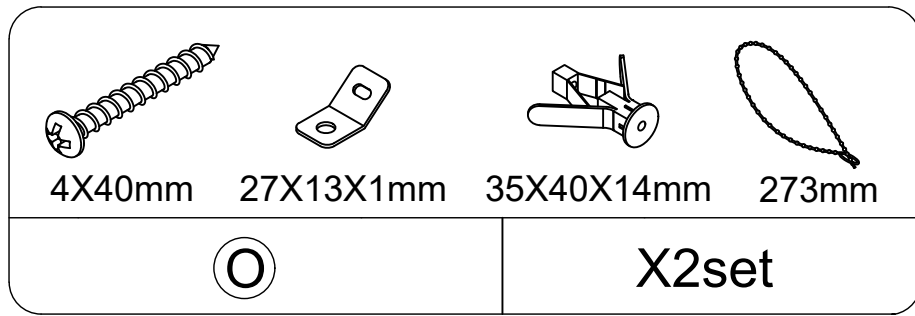


Cabinet Slide



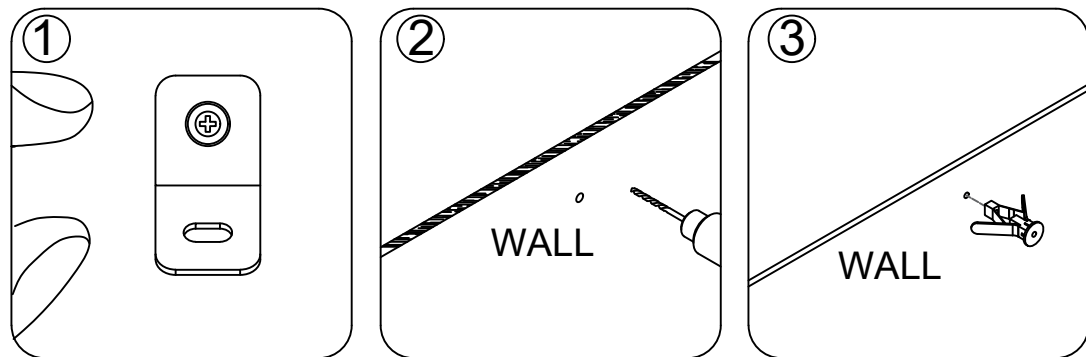
Drawer Slide

STEP 9



NOTE: The tipping restraint hardware included is for wooden stud wall construction. It must be attached to a wall stud. Depending upon your wall construction different anchor hardware maybe required. Please contact your local hardware store for assistance. Young children can be seriously injured by tipping furniture. You must install the tipping restraint hardware with the unit to prevent the unit from tipping, causing any accidents or damage. The tipping restraints are intended only as a deterrent and are not a substitute for proper adult supervision. The tipping restraints are not earthquake restraints. If you wish to add the extra security of earthquake restraints, they must be purchased and installed separately.

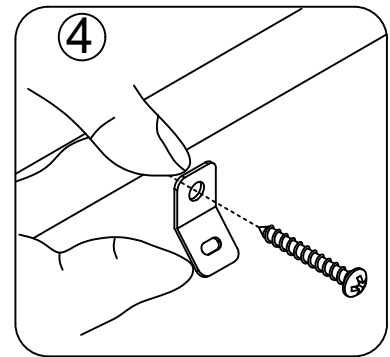
Install the tipping restraint hardware



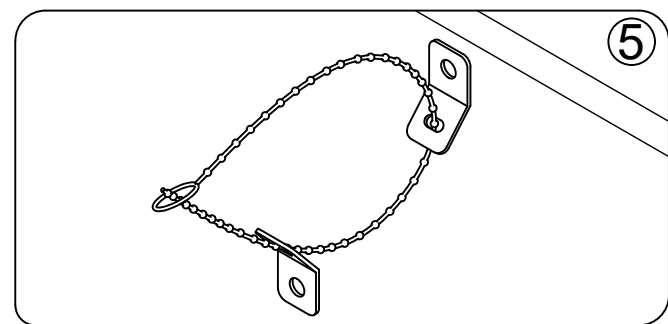
1. make mark on the wall

2. drill two Ø6 holes on the wall

3. put two anchors in the holes



4. fix the device on the wall by the long screws



5. Push the cabinet close to the wall so that the two bases are close to each other, and then put on nylon tie to tighten it.

