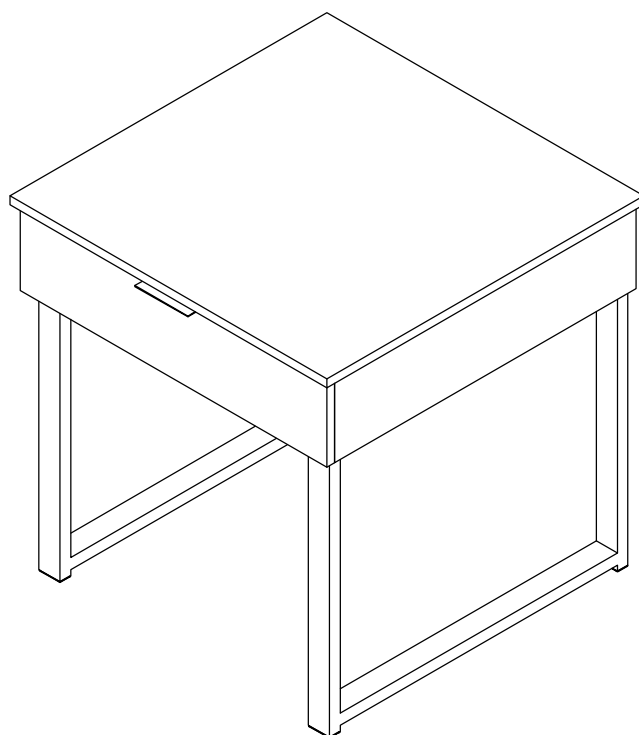


ASSEMBLY INSTRUCTIONS



Fine Furniture for every stage of life

END TABLE

ASSEMBLY INSTRUCTIONS

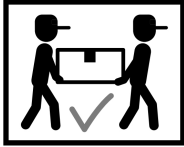
ASSEMBLY TIPS:

1. Remove hardware from box and sort by size.
2. Please check to see that all hardware and parts are present prior to start of assembly.
3. Please follow attached instructions in the same sequence as numbered to assure fast & easy assembly.



WARNING!

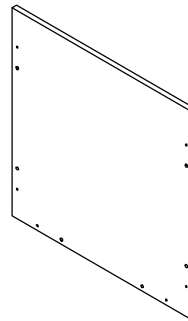
1. Don't attempt to repair or modify parts that are broken or defective. Please contact the store immediately.
2. This product is for home use only and not intended for commercial establishments.



ASSEMBLY TIME 50 MINUTES

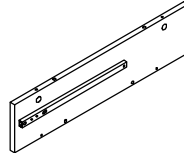
PARTS IDENTIFICATION

A TOP PANEL



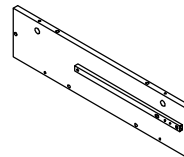
1PC

B LEFT PANEL



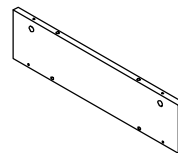
1PC

C RIGHT PANEL



1PC

D BACK PANEL

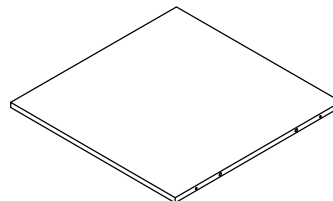


1PC

ASSEMBLY INSTRUCTIONS

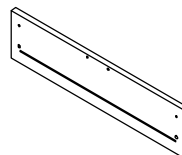
PARTS IDENTIFICATION

E BOTTOM PANEL



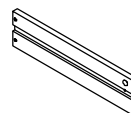
1PC

F DRAWER FRONT PANEL



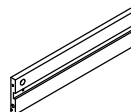
1PC

G DRAWER LEFT PANEL



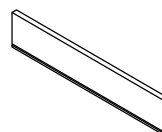
1PC

H DRAWER RIGHT PANEL



1PC

I DRAWER BACK PANEL



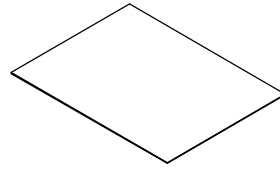
1PC

ASSEMBLY INSTRUCTIONS

PARTS IDENTIFICATION

J

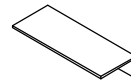
DRAWER BOTTOM PANEL



1PC

K

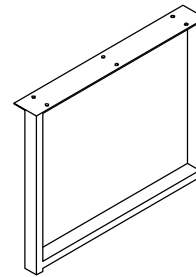
HANDLE



1PC

L

SIDE FRAME



2PCS

ITEM:

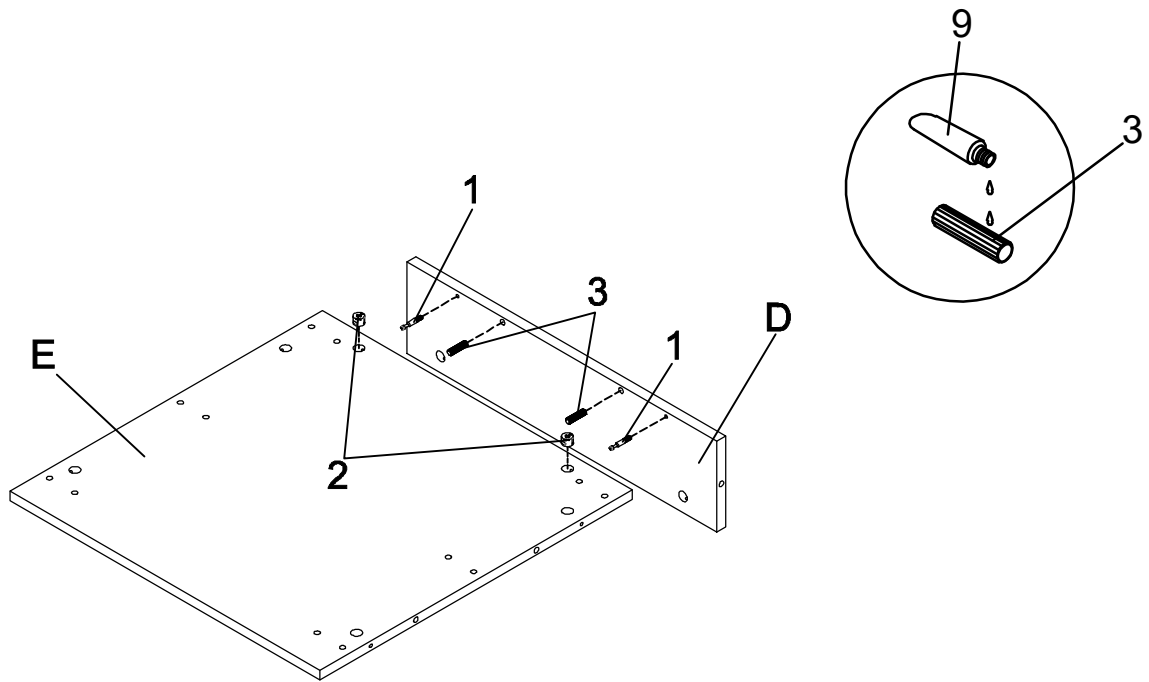
ASSEMBLY INSTRUCTIONS

HARDWARE IDENTIFICATION

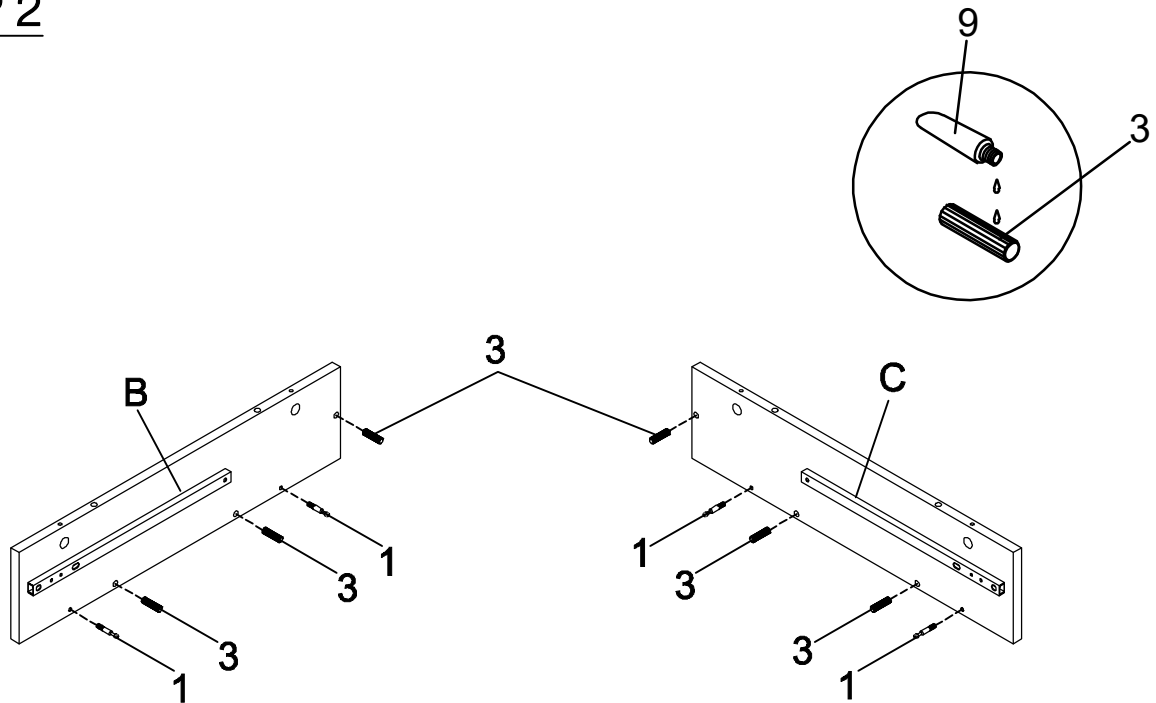
1	CAM BOLT (45MM)		14PCS
2	CAM-LOCK (ϕ 15MM)		14PCS
3	WOOD DOWEL (8 x 35mm)		16PCS
4	LONG SCREW (8 x 38mm)		4PCS
5	SMALL BOLT (5/32" x12mm)		2PCS
6	SHORT SCREW (4 x 12mm)		2PCS
7	SHORT BOLT (1/4" x 12mm)		12PCS
8	CAP (20 x 40mm)		4PCS
9	GLUE		1PC
10	ALLEN WRENCH (4mm)		1PC

ASSEMBLY INSTRUCTIONS

STEP 1 Do not tighten until each step is completed or instructed.

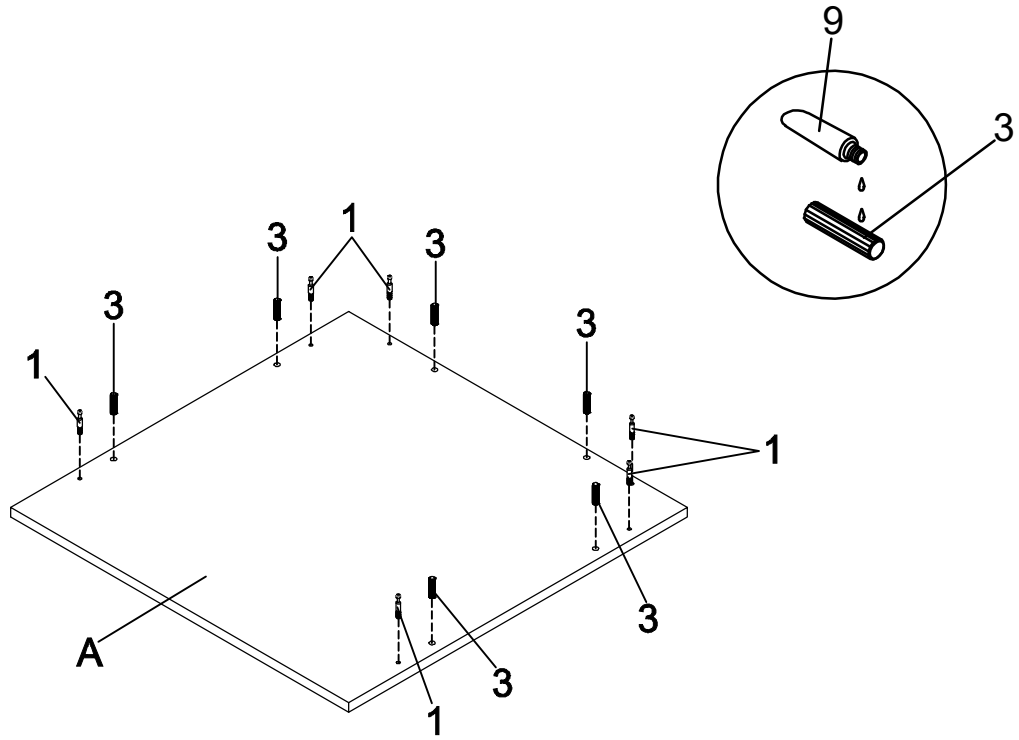


STEP 2

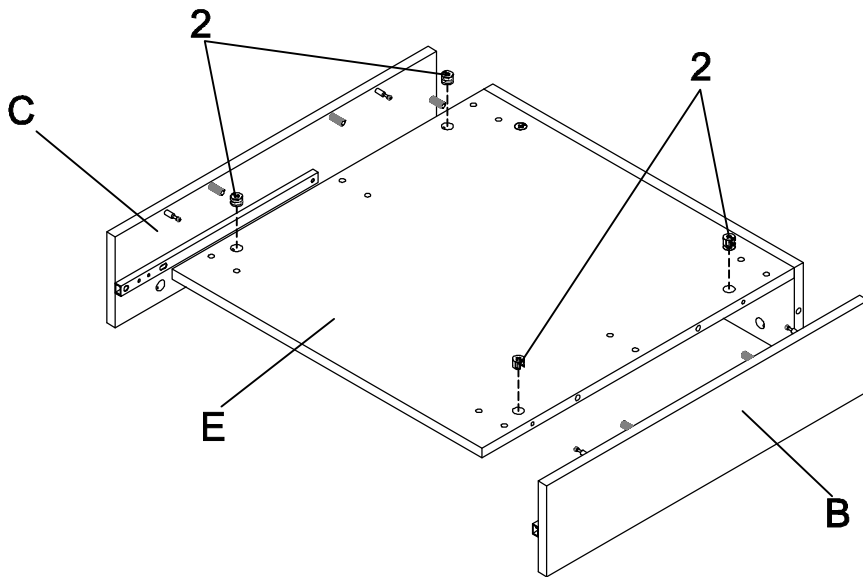


ASSEMBLY INSTRUCTIONS

STEP 3

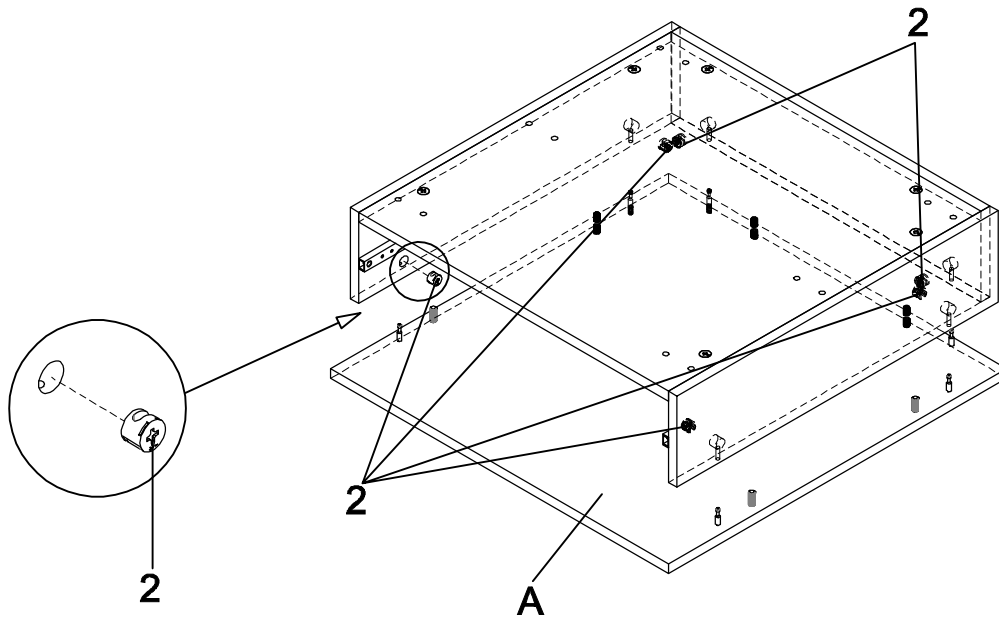


STEP 4

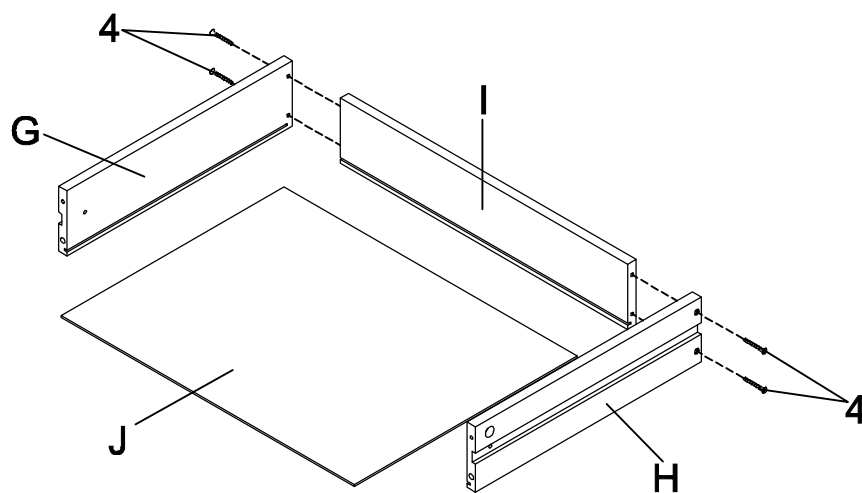


ASSEMBLY INSTRUCTIONS

STEP 5

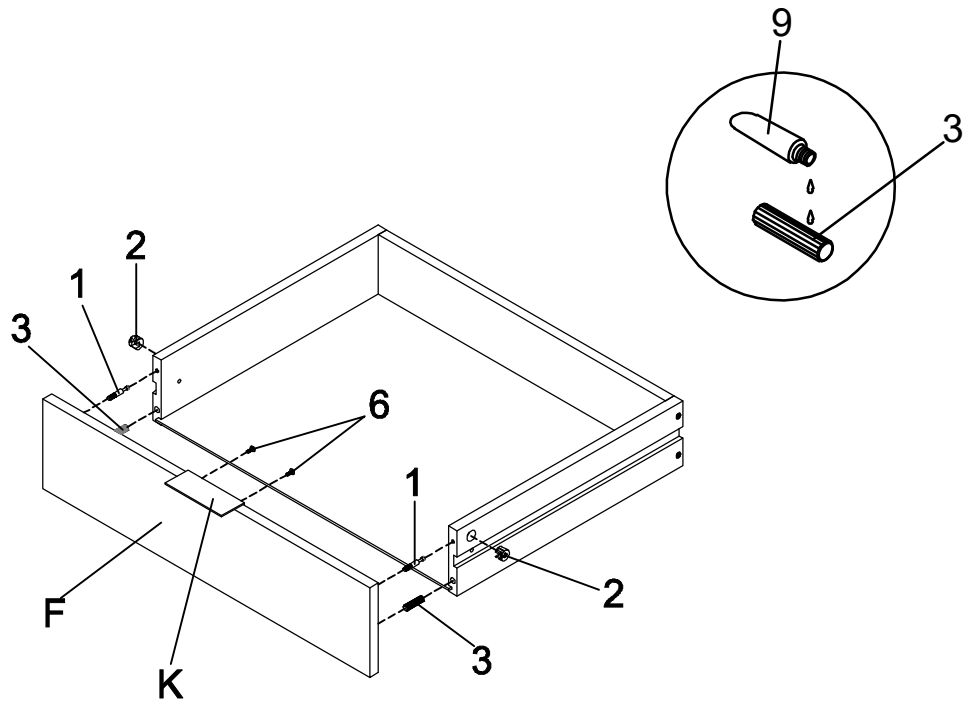


STEP 6

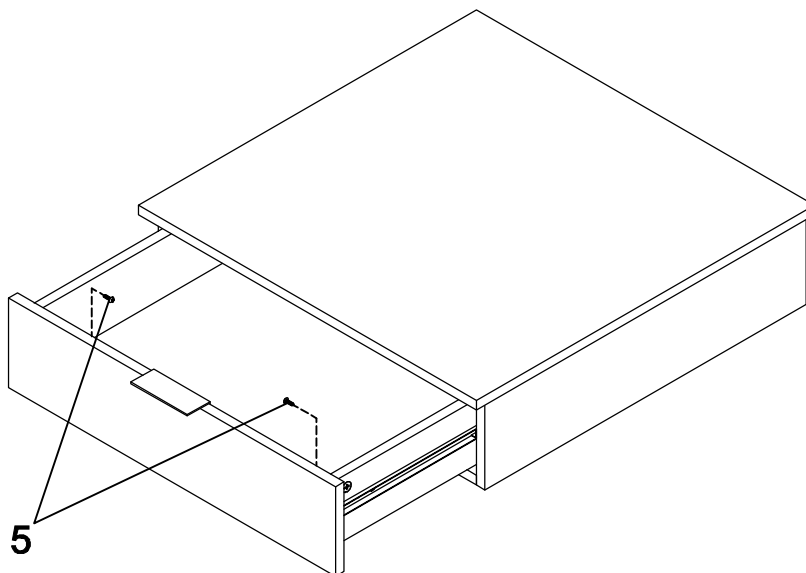


ASSEMBLY INSTRUCTIONS

STEP 7

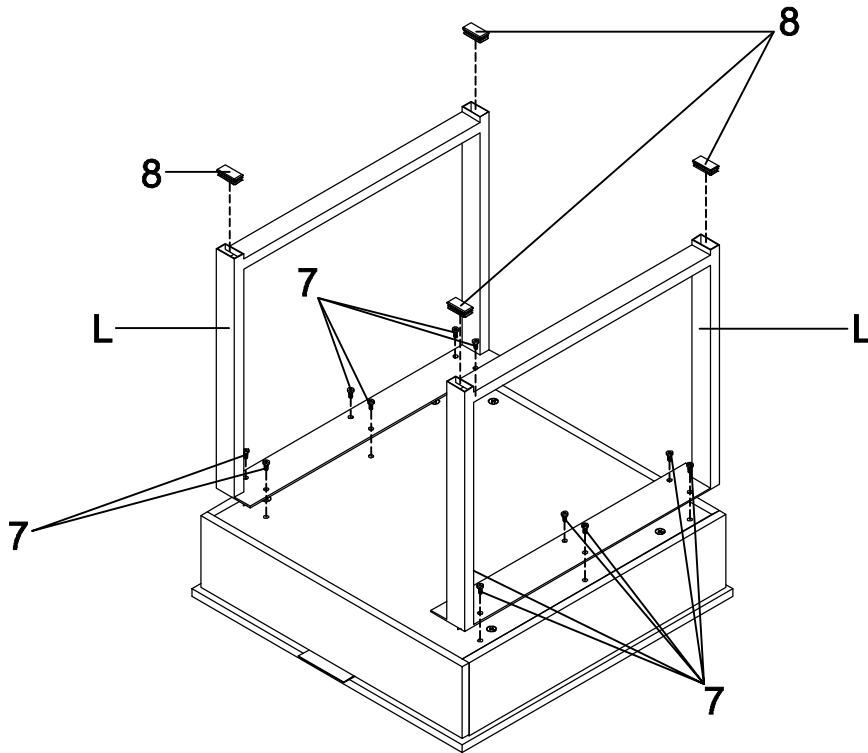


STEP 8

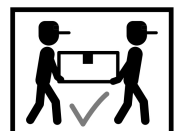
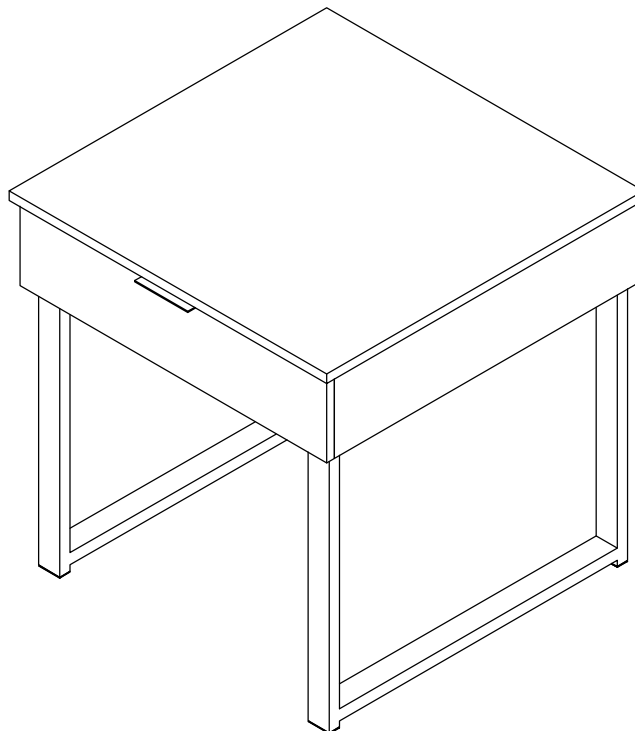


ASSEMBLY INSTRUCTIONS

STEP 9



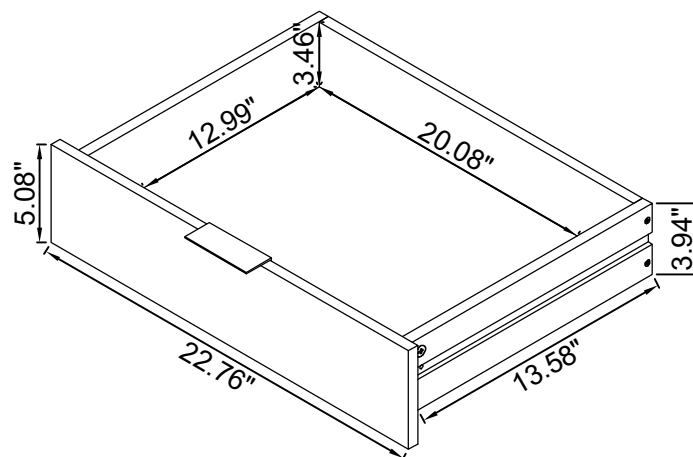
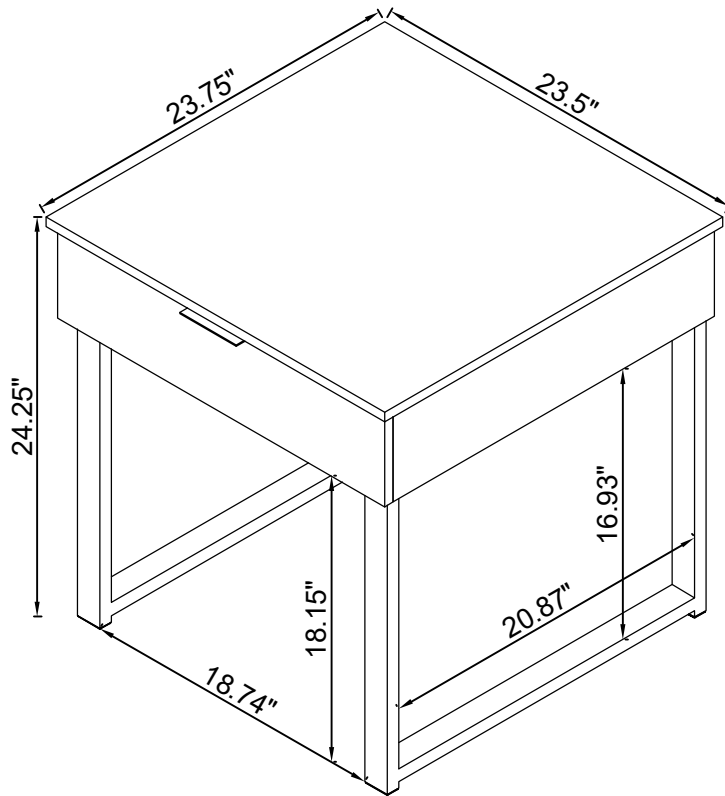
STEP 10



ASSEMBLY INSTRUCTIONS

Product Size : 597 X 603 X 616 H (MM)

Product Size : 23.5" X 23.75" X 24.25"



Note : Dimension tolerance $\pm 5\%$