

NOTICE

- * Please make sure that you have all parts indicated and they are in good condition before you begin assembly of this item. Refer to part list and hardware list below for guidance.
- * This item should be assembled on a soft surface to prevent scratching the finish during assembly.
- * This item may require periodic tightening.



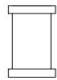



PREPARATION

- * Before beginning assembly of product, make sure all parts are present. Compare parts with part contents list and hardware contents list.
- * If any part is missing or damaged, do not attempt to assemble the product.
- * Estimated Assembly Time: 3 minutes.
- * If you are having difficulty, our friendly Customer Care team is always here to help.

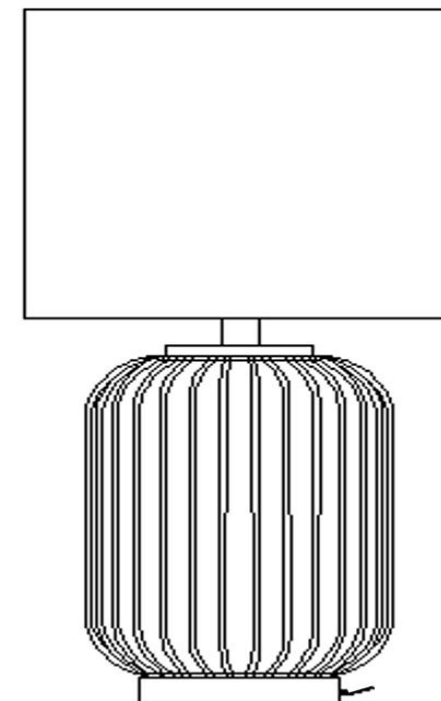
CARE AND MAINTENANCE

Unplug lamps before using any cleaning solutions. Dust shades with a feather duster or with an appropriate vacuum-brush attachment. Wipe with a soft, dry cloth and clean lamp bases with the methods appropriate to the material. Avoid the use of chemicals and household cleaners as they may damage the finish.

Part List and Hardware List

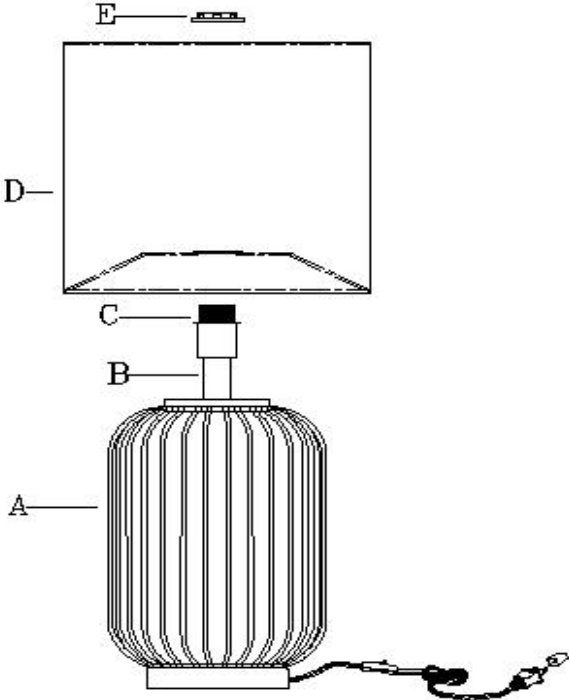
PEICE	DESCRIPTION	PICTURE	QUANTITY	PEICE	DESCRIPTION	PICTURE	QUANTITY
A	Lamp base		1X	D	Shade		1X
B	Neck		1X	E	Ring		1X
C	Socket		1X	F	Bulb		1X

**Product Dimensions:
12"Lx12"W x 22"H**

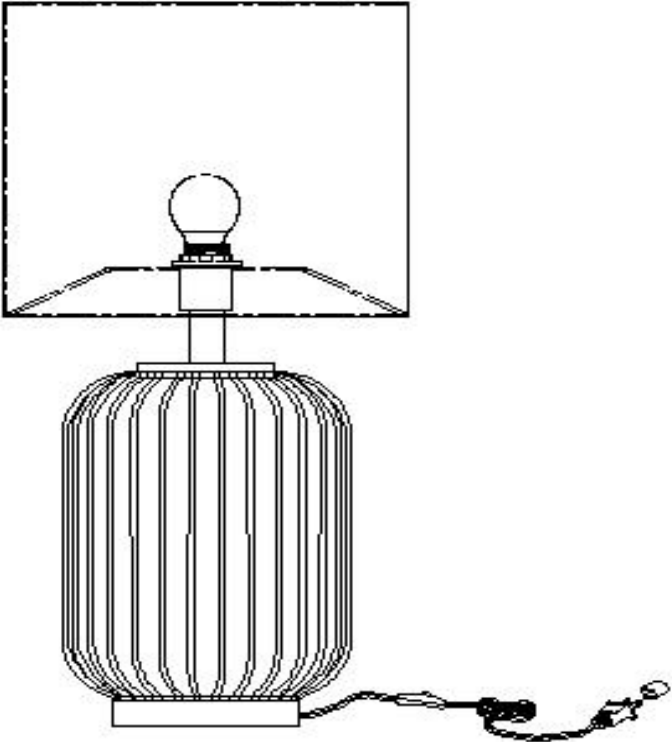


PREPARATION

- * Before beginning assembly of product, make sure all parts are present. Compare parts with part contents list and hardware contents list.
- * If any part is missing or damaged, do not attempt to assemble the product.
- * Estimated Assembly Time: 3 minutes.



Step 1: Install the shade(D) into the socket(C), and lock with ring(E) . Be careful not to twist the power cord.



Step 2: Put the bulb(F) into socket(C). Put the light on a level surface to check if everything is stable.