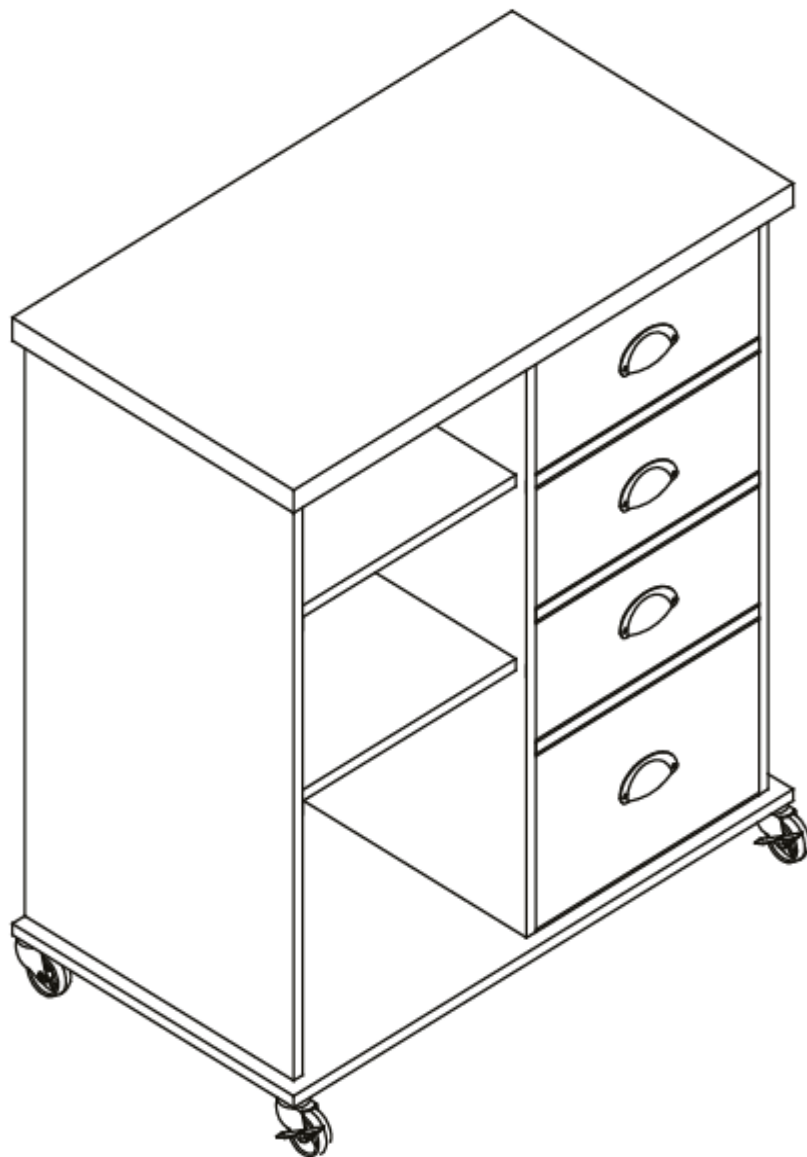


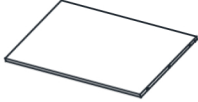
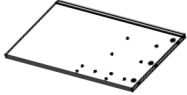
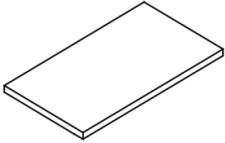

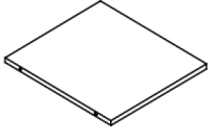
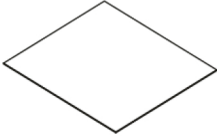
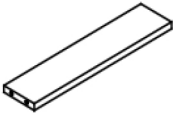
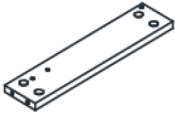
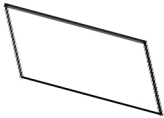
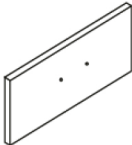
# Assembly Instructions

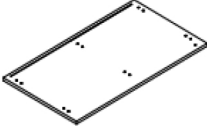
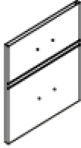
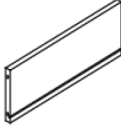
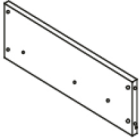
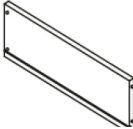
**Caution : You must read this before you proceed**

## KITCHEN CART





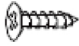







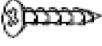







# Parts List

Label	Picture	Description	QTY
A		Left Side Panel	1
B		Right Side Panel	1
C		Top Panel	1
D		Partition	1
E		Upper Shelf	2
F		Drawer Bottom Panel	2
G		Upper Cross Bar	1
H		Cross Bar	1
I		Back Panel	2
J		Drawer Front Panel	2

K		Bottom Panel	1
L		Door Panel	1
M		Drawer Back Panel	2
N		Drawer Left Side Panel	2
O		Drawer Right Side Panel	2

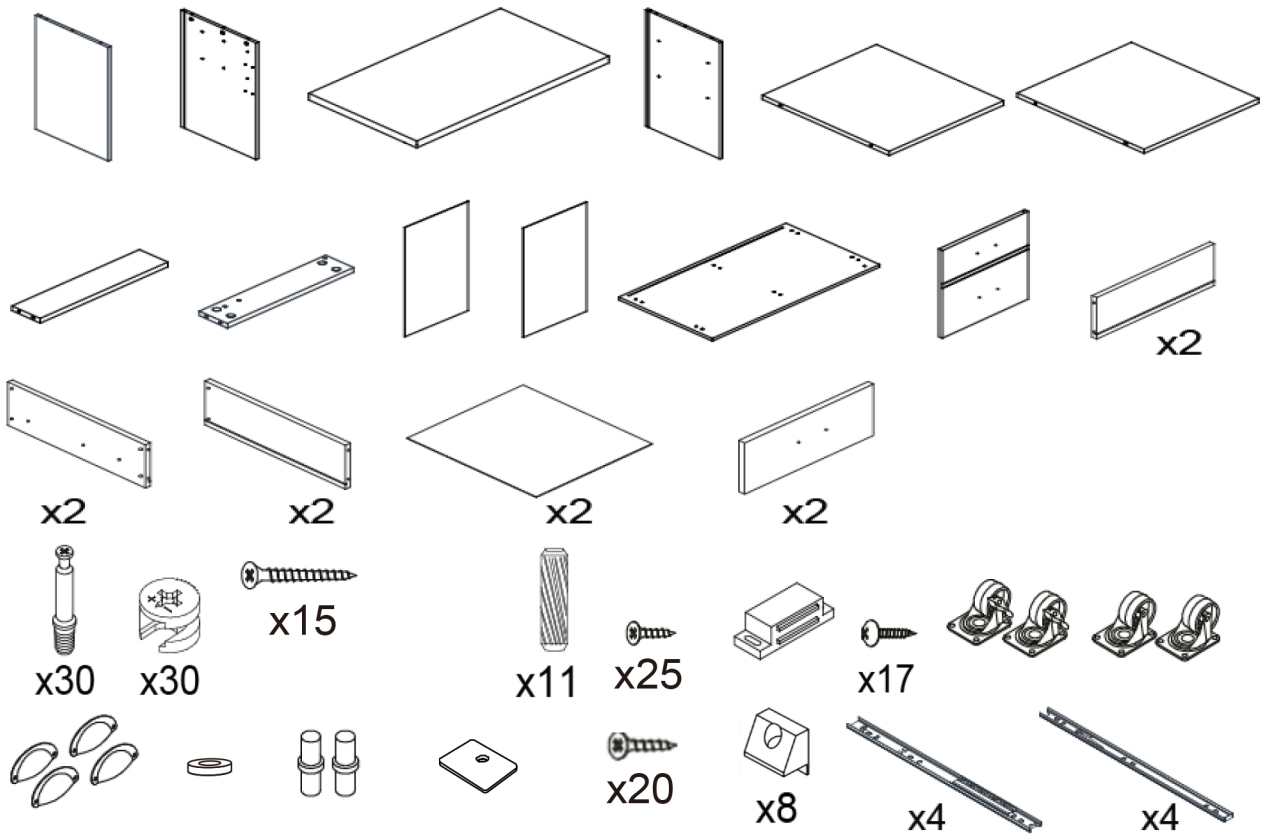
## Hardware

Label	Picture	Description	QTY
①		Cam Bolt	30
②		Cam Lock	30
③		Screw (M4x35mm)	15
④		Dowel	11
⑤		Screw (M3.5x12mm)	26
⑥		Magnet	1
⑦		Screw (M5x14mm)	17
⑧		Wheel (with brake)	2

⑨		Wheel	2
⑩		Handle	4
⑪		Screw (M3x14mm)	20
⑫		Door Pin	2
⑬		Bracket	1
⑭		Screwdriver (Not provided)	1
⑮		Cabinet Slider	4
⑯		Drawer Slider	4
⑰		Buckle	8
⑱		Flat Pad	1

## Assembly Preparation

## Before Beginning Assembly:



- Read instructions, cover to cover-



- Have 2 adults on hand for assembly-



- Do not assemble on flooring or carpet-



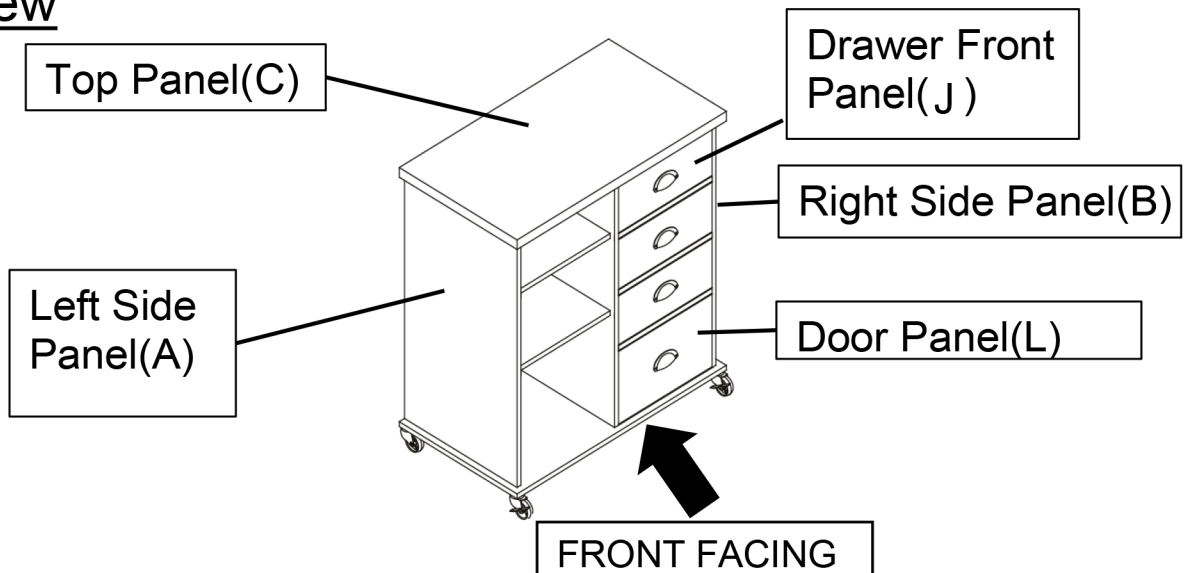
- Assemble on a clean non-marring surface (packing foam)-



- Save all packaging until finished-

## Assembly Steps

### Overview

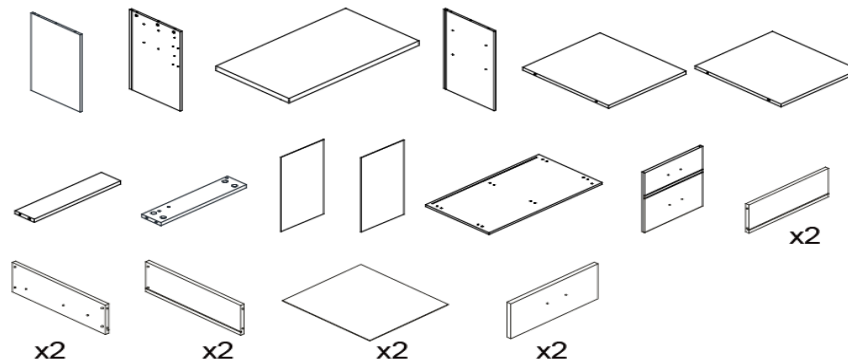


This Kitchen Cart has multiple parts and may require up to 60 minutes to assemble.

To give you an overview of the Kitchen Cart parts, the above picture is to help you put the various parts into perspective.

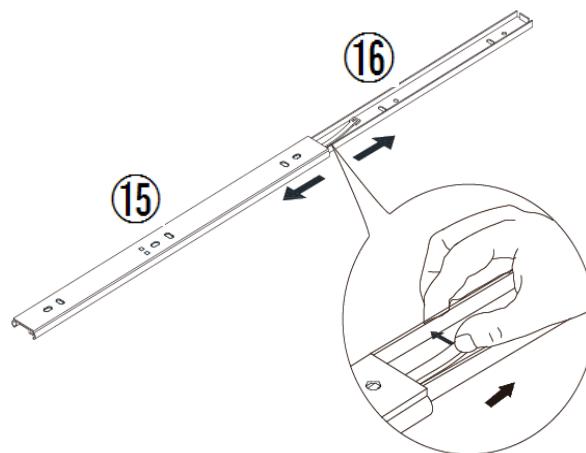
Please read through the instructions below to familiarise yourself with the parts and steps before assembly.

### Step 1



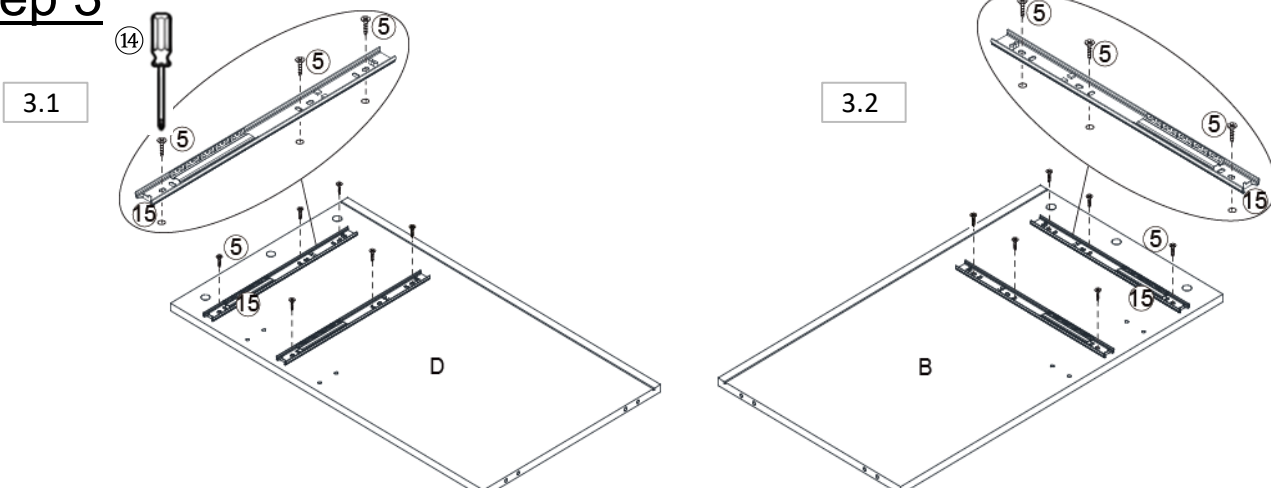
Unpack and place all parts on a clean, non-marring surface.

### Step 2



Separate the two sliders as shown.

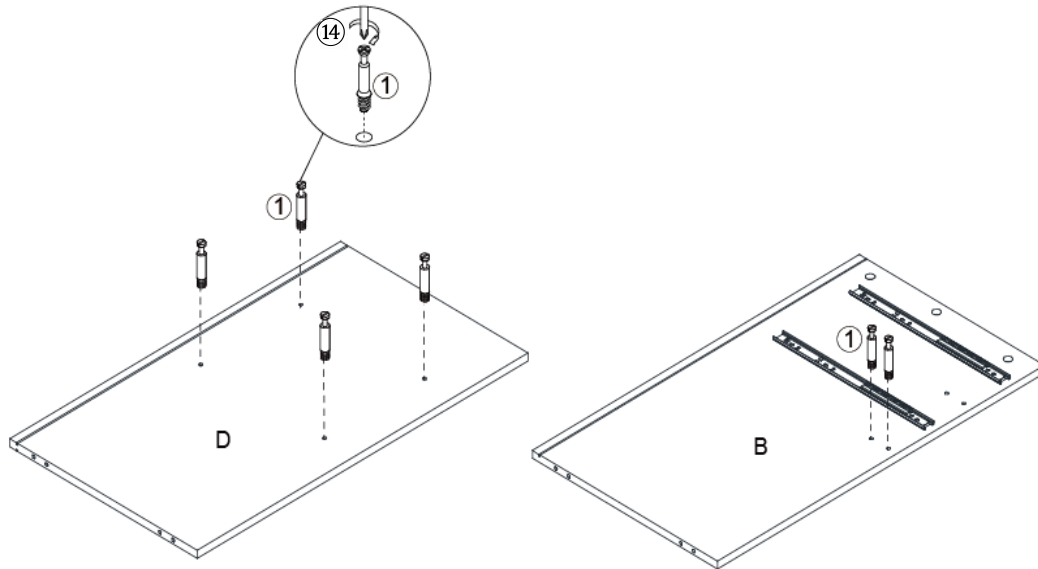
### Step 3



3.1) Attach Cabinet Slider(15) to Partition (D) using Screw(5) with Screwdriver(14).

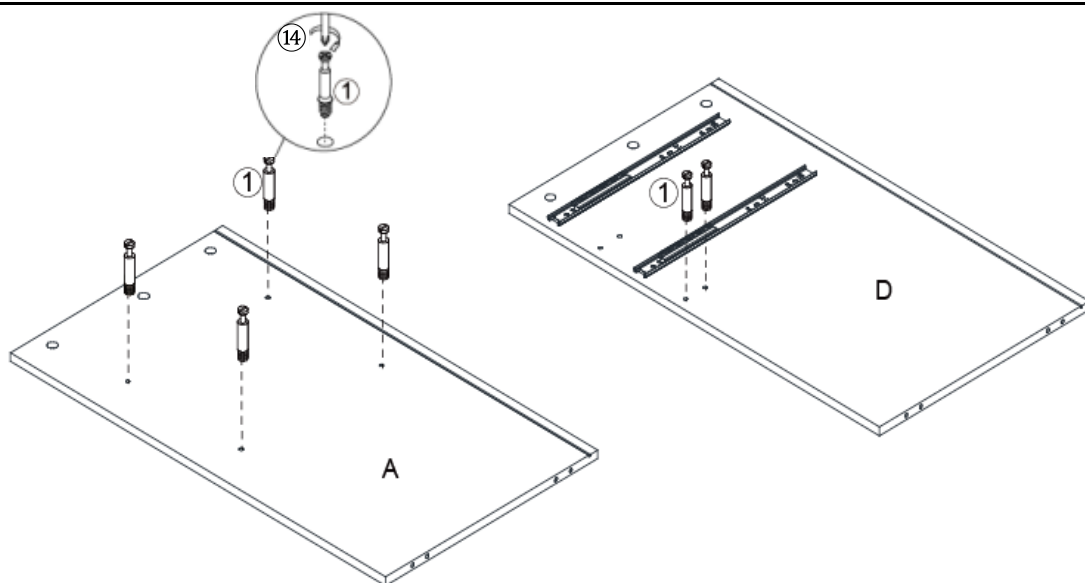
3.2) Attach Cabinet Slider(15) to Right Side Panel (B) using Screw(5) with Screwdriver(14).

## Step 4



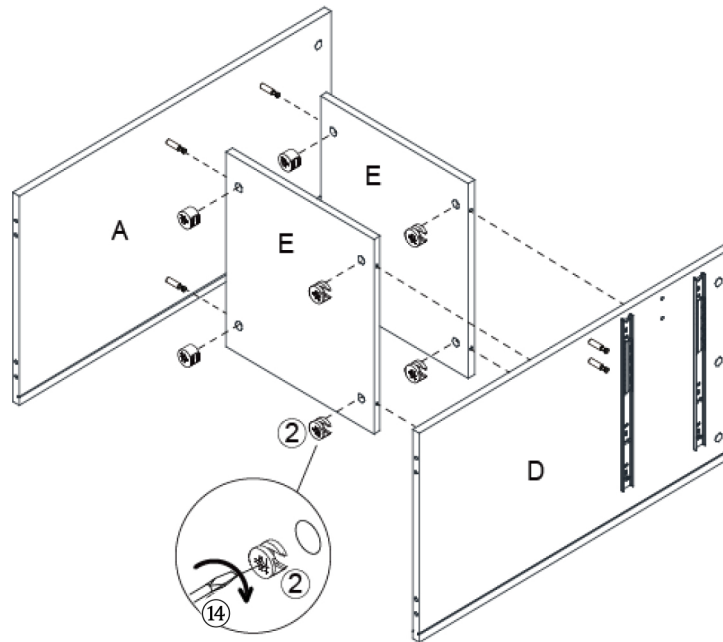
Insert Cam Bolt(1) into the mounting positions on the Right Side Panel(B) and Partition(D) using Screwdriver(14) as shown.

## Step 5



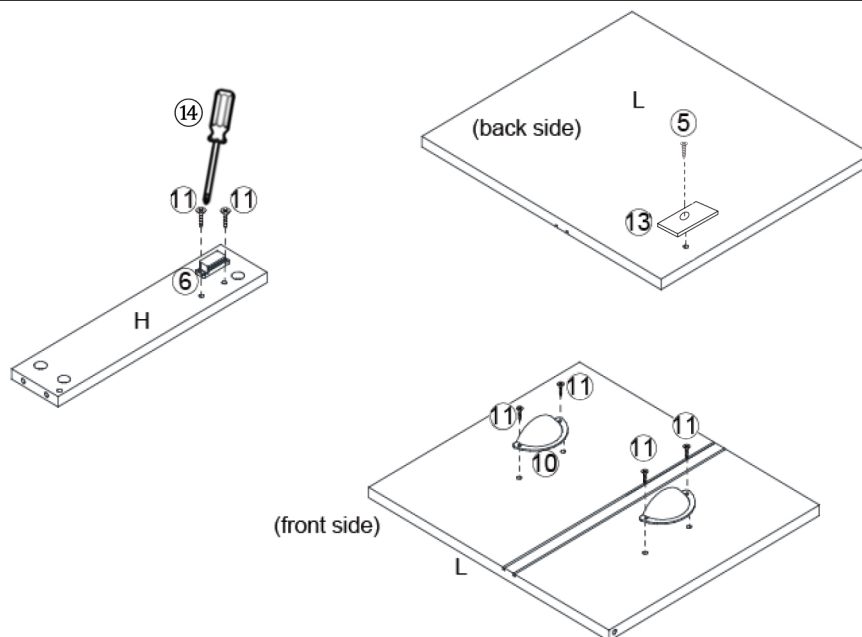
Insert Cam Bolt(1) into the mounting positions on the Left Side Panel(A) and Partition(D) using Screwdriver(14) as shown.

## Step 6



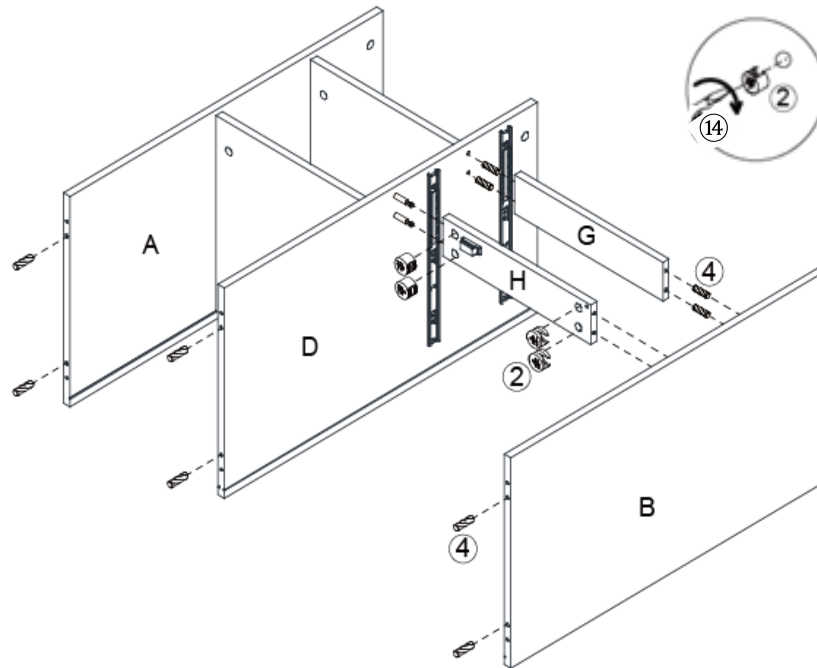
- 1).Attach Left Side Panel(A) and Partition (D) to Upper Shelf (E), inserting Cam Locks (2) into Upper Shelf (E) using Screwdriver(14) as shown.
- 2).Remark:make sure both metal rails on Partition (D) as shown.

## Step 7



- 1).Attach Magnets (6) to Cross Bar (H) using Screws(11) with Screwdriver(14).
- 2).Attach Bracket(13) to Door Panel (L) using Screws (5) with Screwdriver(14).
- 3).Attach Handle (10) to Door panel (L) using Screws (11) with Screwdriver(14) as shown.

## Step 8

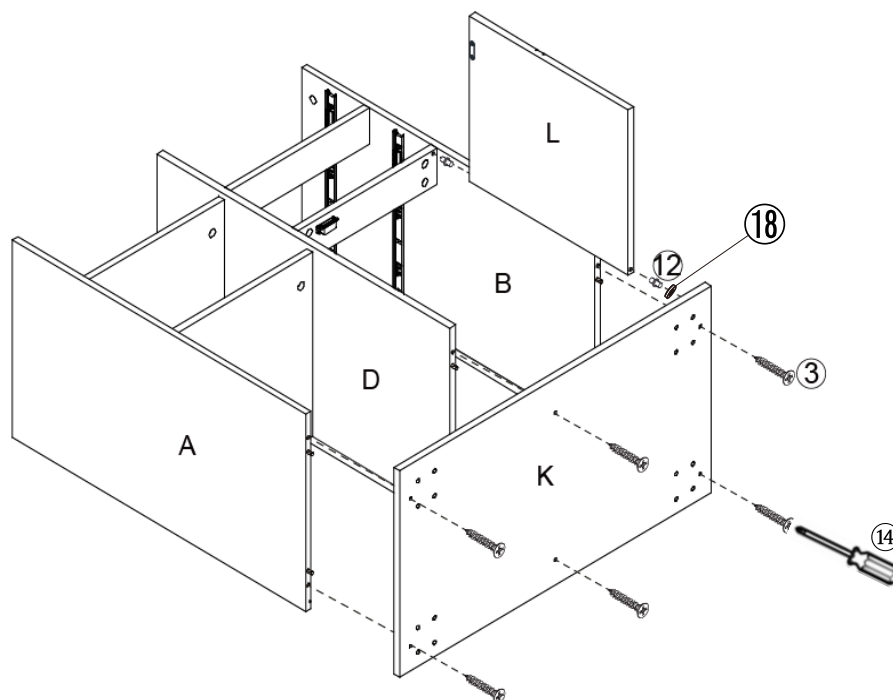


1). Insert Dowels (④) into the mounting positions on Upper Cross Bar (G), attach Partition (D) to Dowels (④) on Cross Bar (G), then attach Partition (D) to Cross Bar (H), inserting Cam Locks (②) into Cross Bar (H) using Screwdriver (⑭) as shown.

2). attach Right Side Panel (B) to Dowels (④) on Cross Bar (G), then attach Right Side Panel (B) to Cross Bar (H), inserting Cam Locks (②) into Cross Bar (H) using Screwdriver (⑭) as shown.

3). Insert Dowels (④) into the mounting positions on the Left Side Panel (A) Right Side Panel (B) and partition panel (D).

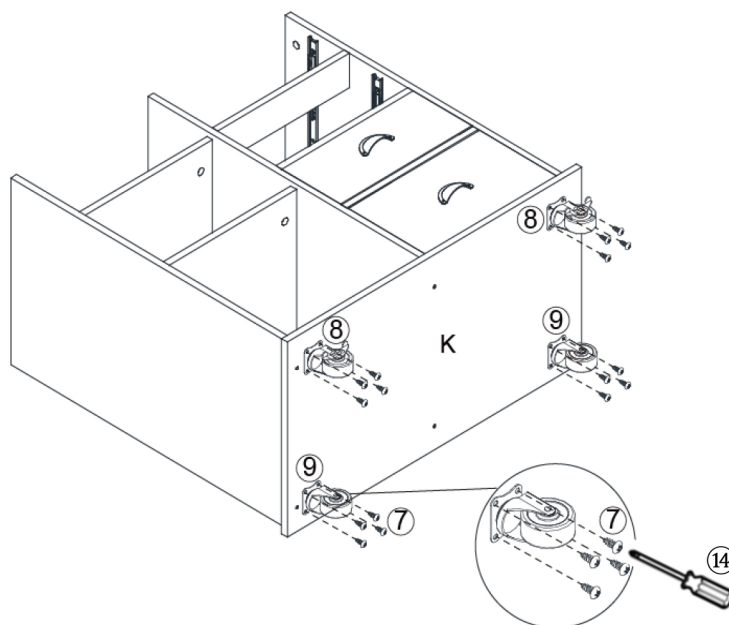
## Step 9



1.Insert Door Pins (12) into the mounting positions on Door Panel (L) as shown. Insert (12) into Cross Bar (H) . Set Flat Pad (18) into Door Pins (12) at the lower end. Then match the Bottom Panel(K) to Door Pins (12)

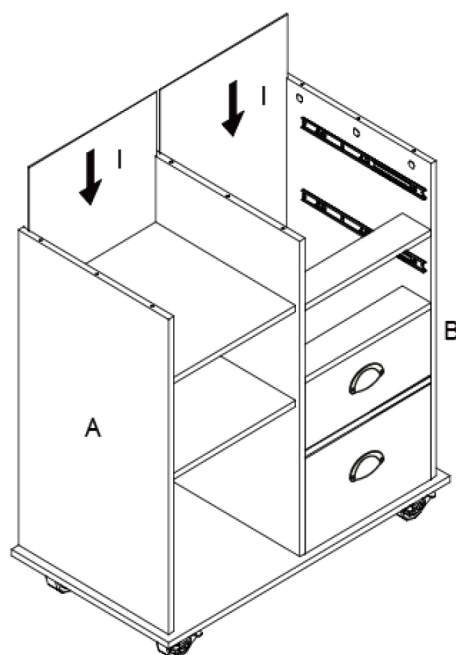
2.Attach Bottom Panel (K) to Dowels (4) on the Left Side Panel (A), Right Side Panel (B) and partition panel (D),also attach Bottom Panel (K) to Door Pins (12) on Door Panel (L),then using screws(3) with Screwdriver(14) as shown.

## Step 10



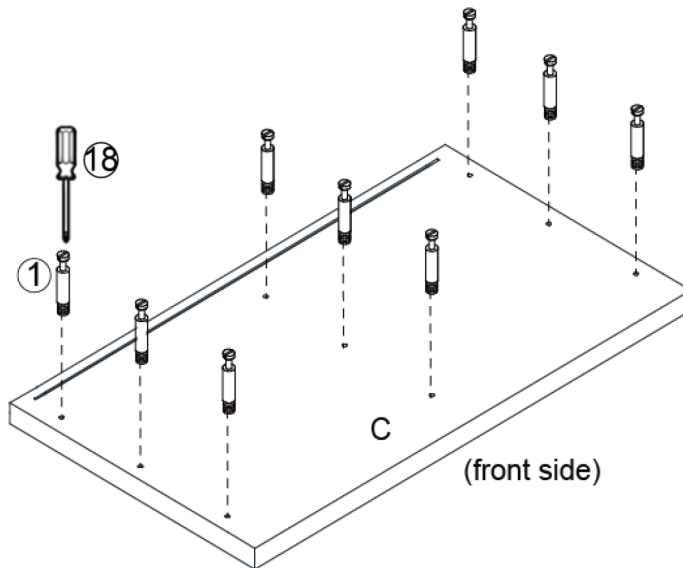
Attach Wheel(with brake) (8) and Wheel (9) to Bottom Panel (K) with Screws (7) using Screwdriver(14).

## Step 11



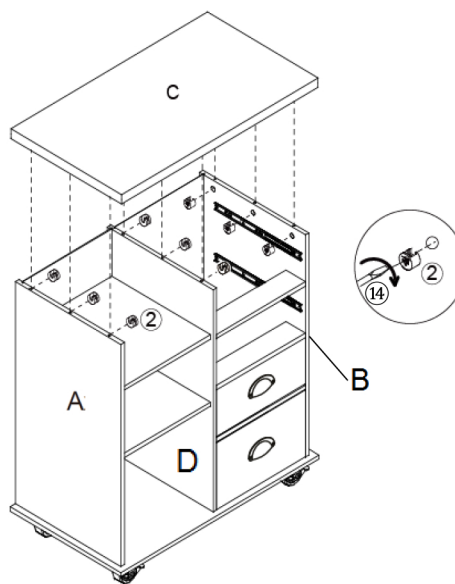
Insert the Back Panel (I) by sliding in the panel into the grooving as shown.

### Step 12



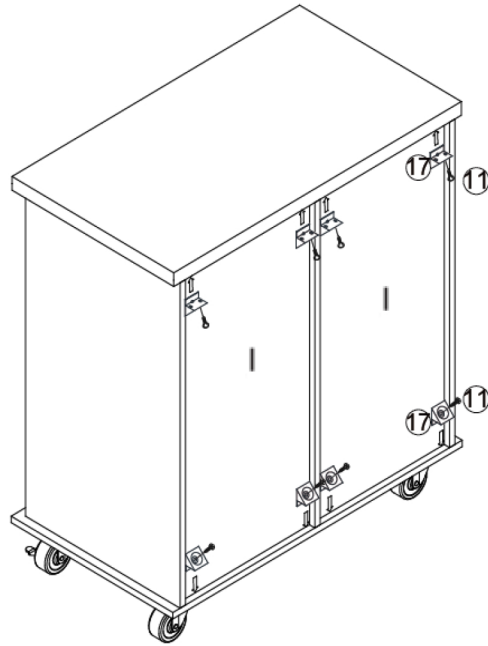
Insert the Cam Bolt(①) into Top Panel(C) with Screwdriver(⑭).

### Step 13



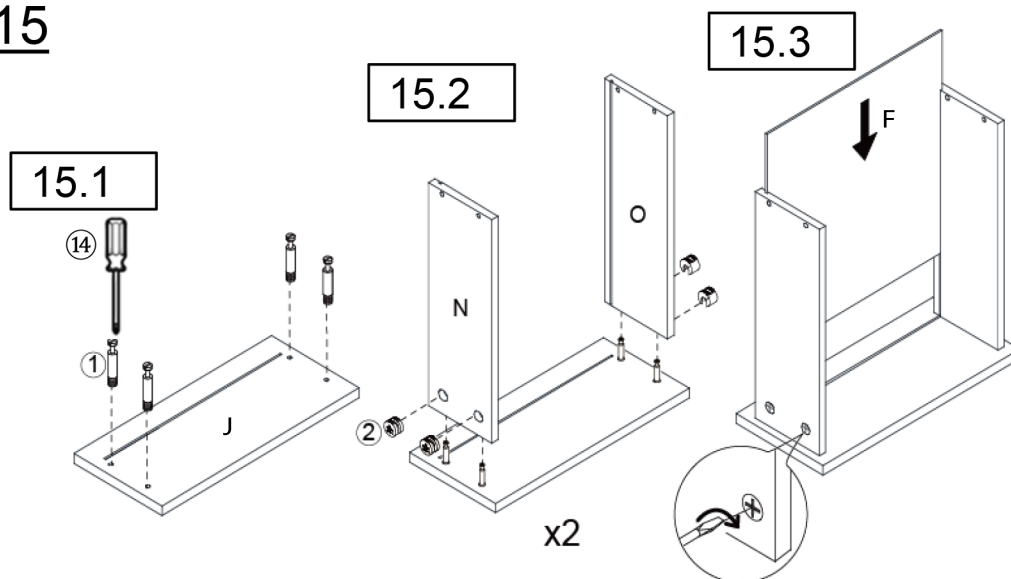
Insert Cam Lock(②) into the Left Side Panel(A),Partition(D) and Right Side Panel(B) using Screwdriver(⑭) as shown.

## Step 14



Attach the Buckle(17) using Screw(11) with Screwdriver(14). Make sure the whole product is stable.

## Step 15

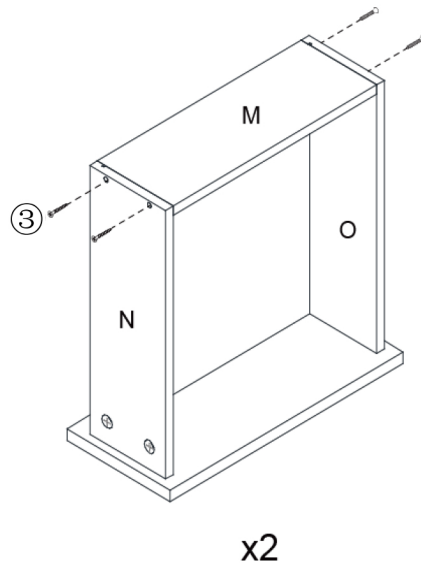


15.1) Attach Cam Bolt(1) to the mounting positions on Drawer Front Panel(J) using Screwdriver(14) as shown.

15.2) Attach Drawer Left Side Panel(N) and Drawer Right Side Panel(O) to the Cam Bolt(1) on Drawer Front Panel(J), insert Cam Lock(2) into the Drawer Left Side Panel(N) and Drawer Right Side Panel(O) using Screwdriver(14) as shown. Do not fully tighten Cam Locks(2).

15.3) Insert Drawer Bottom Panel(F) by sliding in the panel into the grooving as shown. then tighten the Cam Locks(2) with Screwdriver(14)

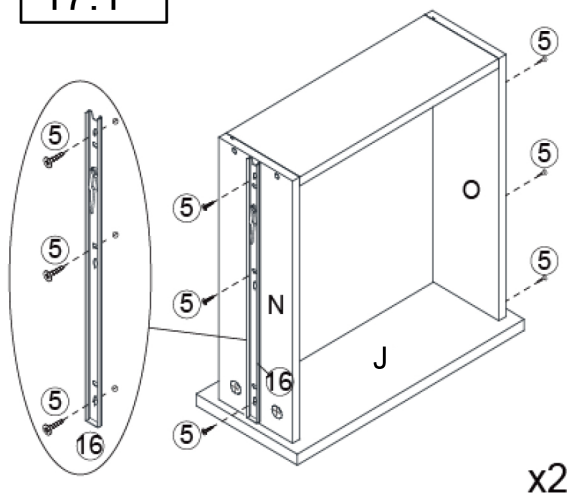
## Step 16



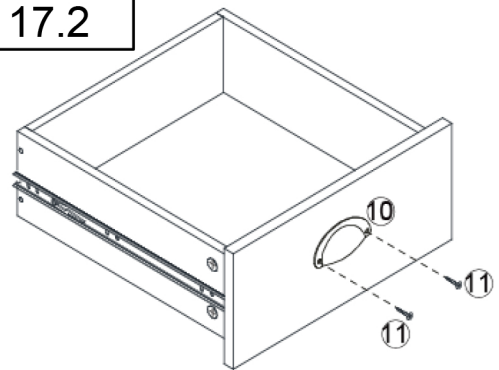
Attach Drawer Back Panel(M) to the Drawer Left Side Panel(N) and Drawer Right Side Panel(O) using Screw(③) with Screwdriver(⑭).

## Step 17

17.1



17.2

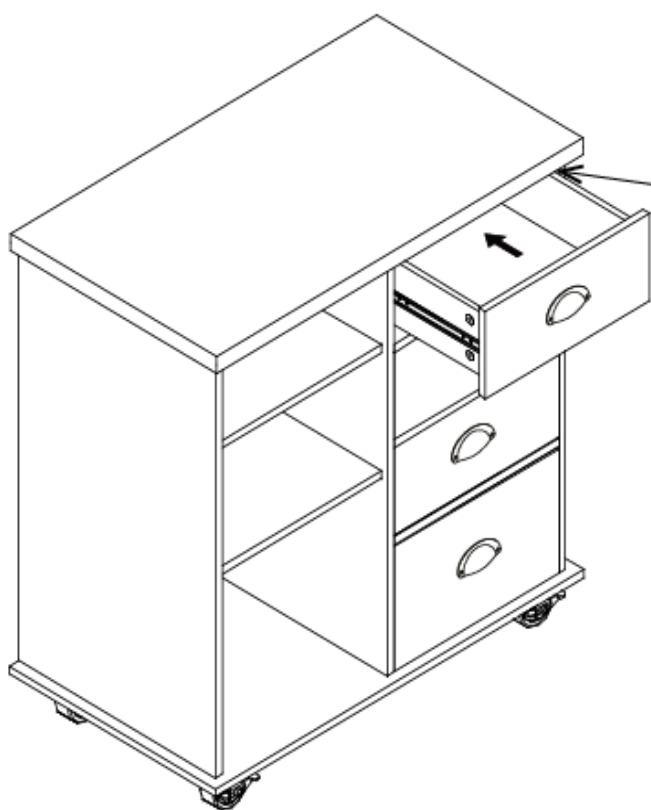


17.1) Attach Drawer Slider(⑯) to Drawer Left Side Panel(N) using Screw(⑤) with Screwdriver(⑭).

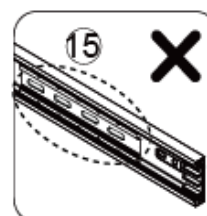
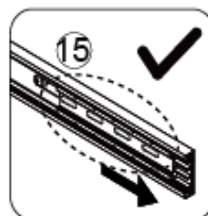
Repeat this step for the Drawer Right Side Panel(O).

17.2) Attach Handle(⑩) to Drawer Front Panel(J) using Screw(⑪) with Screwdriver(⑭).

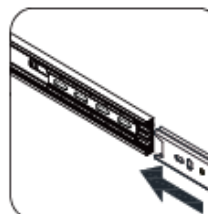
## Step 18



Insert the drawer into the assembled body as shown.



Slide bearings forward to the end.  
(Don't insert when the part in the middle)



Before pushing in, make sure the 2 parts are connected in place.

## Care & Maintenance



- Furniture may scratch floors. We recommend using furniture pads to protect your floors.



- Do not put hot items directly on furniture surface.



- Do not clean furniture with harsh cleansers or polish.



- Do not place furniture under direct sunlight.



- Do not place furniture near heating or cooling vents.



- Do not write on furniture without a padded barrier to protect the surface.



- Do not place furniture outside . For indoor use only.



- Not for commercial use. For residential use only.



- Stains may be removed with mild soap solution and damp cloth.



- Children should not climb or jump on the furniture.



- Dust and pick-up spills using a clean, non-colored, lint-free cloth.