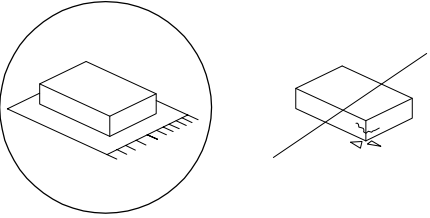
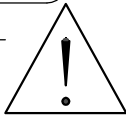
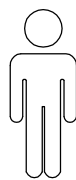
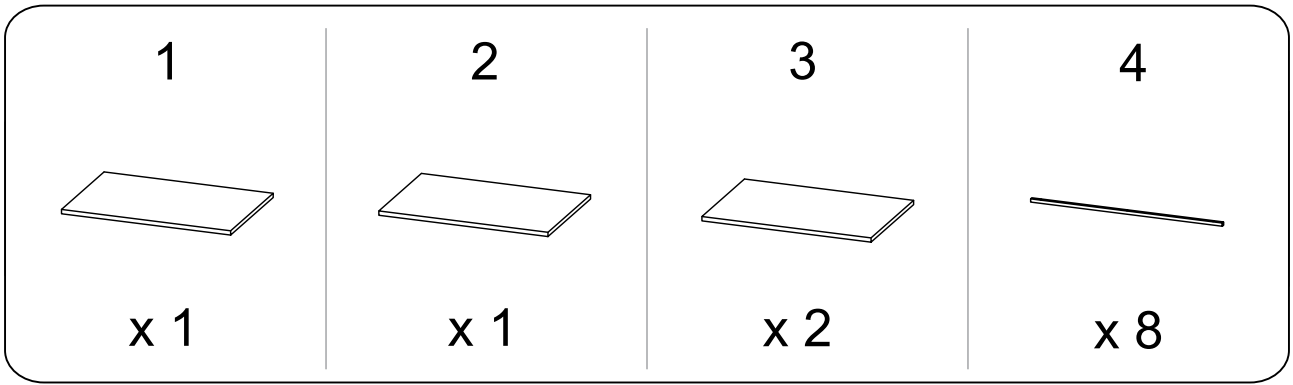
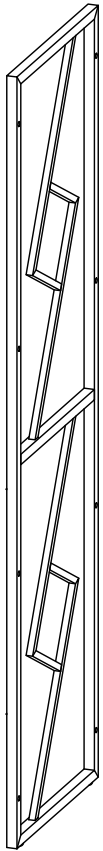
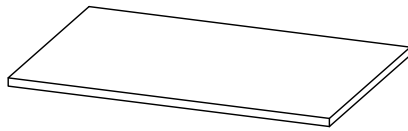
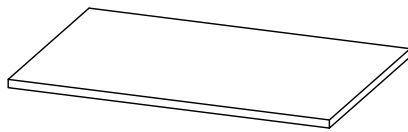

		<p>30'</p>
		
		<p>1</p>



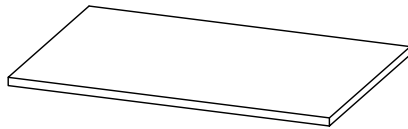
5 x 1



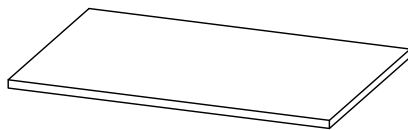
1 x 1



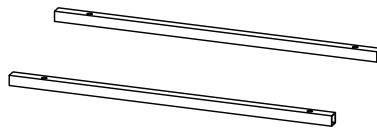
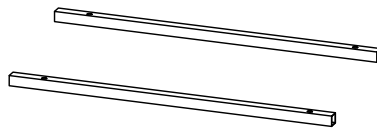
3 x 2



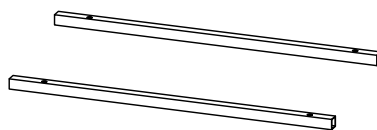
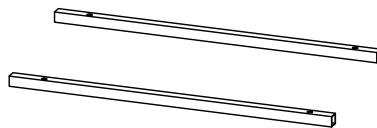
2 x 1



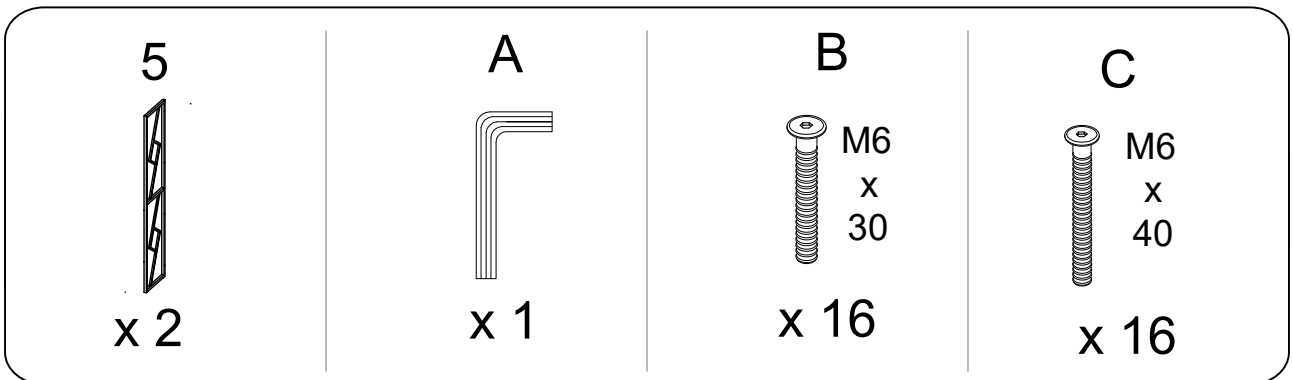
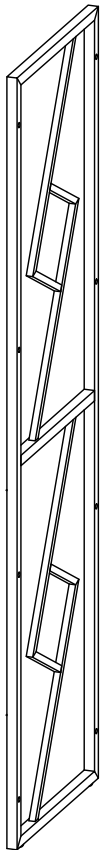
1 x 1



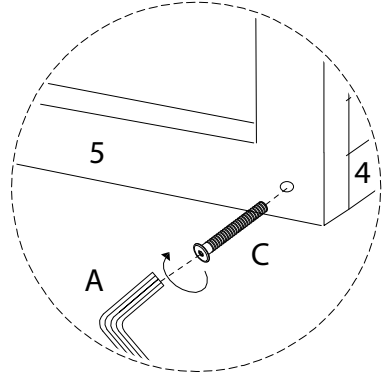
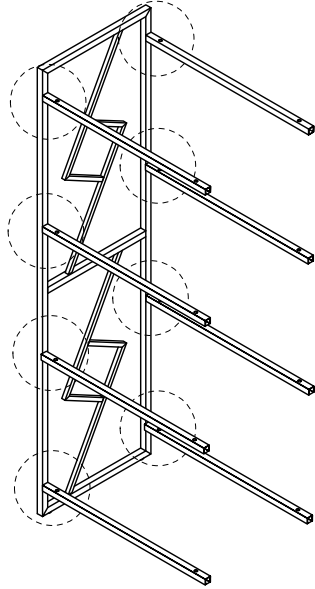
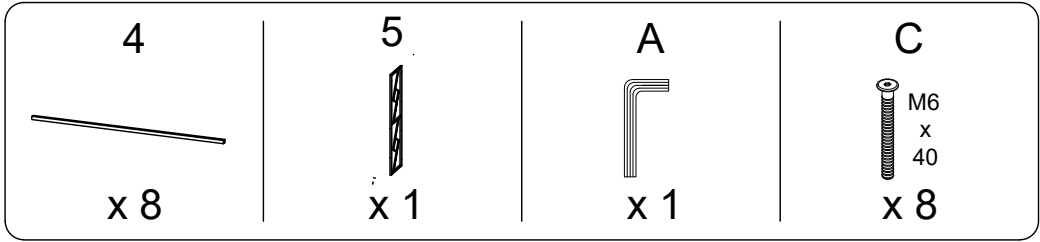
4 x 8



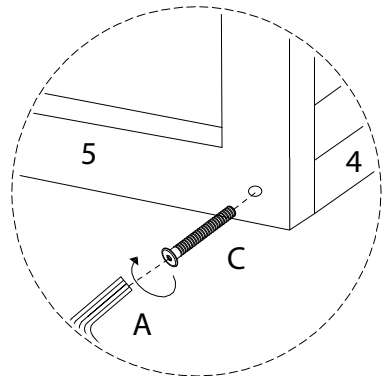
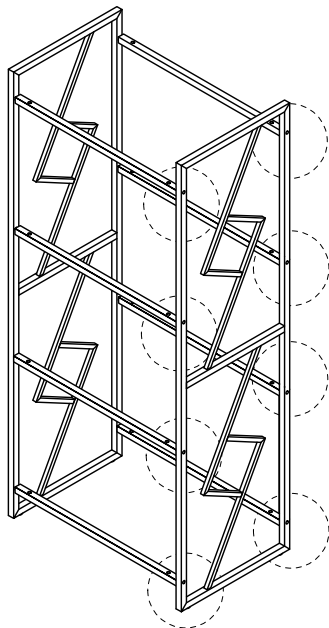
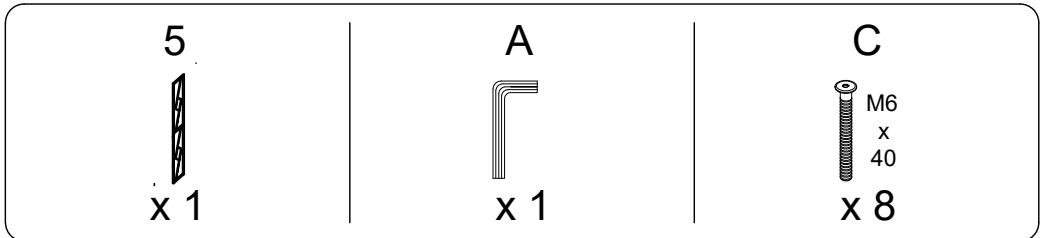
5 x 1






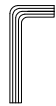
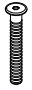
1



2



3

1  x 1	2  x 1	3  x 2	A  x 1	B  M6 x 30 x 16
---	---	---	---	--

